



US00D367249S

**United States Patent** [19]  
**Ott**

[11] **Patent Number: Des. 367,249**

[45] **Date of Patent: \*\*Feb. 20, 1996**

[54] **MOTORCYCLE FRONT MOTOR MOUNT**

[76] Inventor: **Vern D. Ott**, 1839 Rte. 746 S.,  
Cardington, Ohio 43315

[\*\*] Term: **14 Years**

[21] Appl. No.: **26,192**

[22] Filed: **Jul. 21, 1994**

[52] U.S. Cl. .... **D12/114; D12/223**

[58] **Field of Search** ..... D8/349, 354; 180/228,  
180/220; D12/114, 223; 248/27.1, 635,  
156, 659, 570

[56] **References Cited**

**U.S. PATENT DOCUMENTS**

2,215,743	9/1940	Saurer	248/659	X
2,447,697	8/1948	Gotschall	138/109	X
3,261,422	7/1966	Jensen	248/634	X

**FOREIGN PATENT DOCUMENTS**

715796	9/1954	United Kingdom	248/570	
--------	--------	----------------	---------	--

*Primary Examiner*—A. Hugo Word  
*Assistant Examiner*—Holly Baynham  
*Attorney, Agent, or Firm*—Sidney W. Millard

[57] **CLAIM**

The ornamental design for a motorcycle front motor mount, as shown and described.

**DESCRIPTION**

FIG. 1 is a perspective view of a motorcycle front motor mount showing my new design with the broken line showing of a fragmented motorcycle frame and front wheel carriage being for illustrative purposes only and forming no part of the claimed design;

FIG. 2 is a top plan view showing my new design;

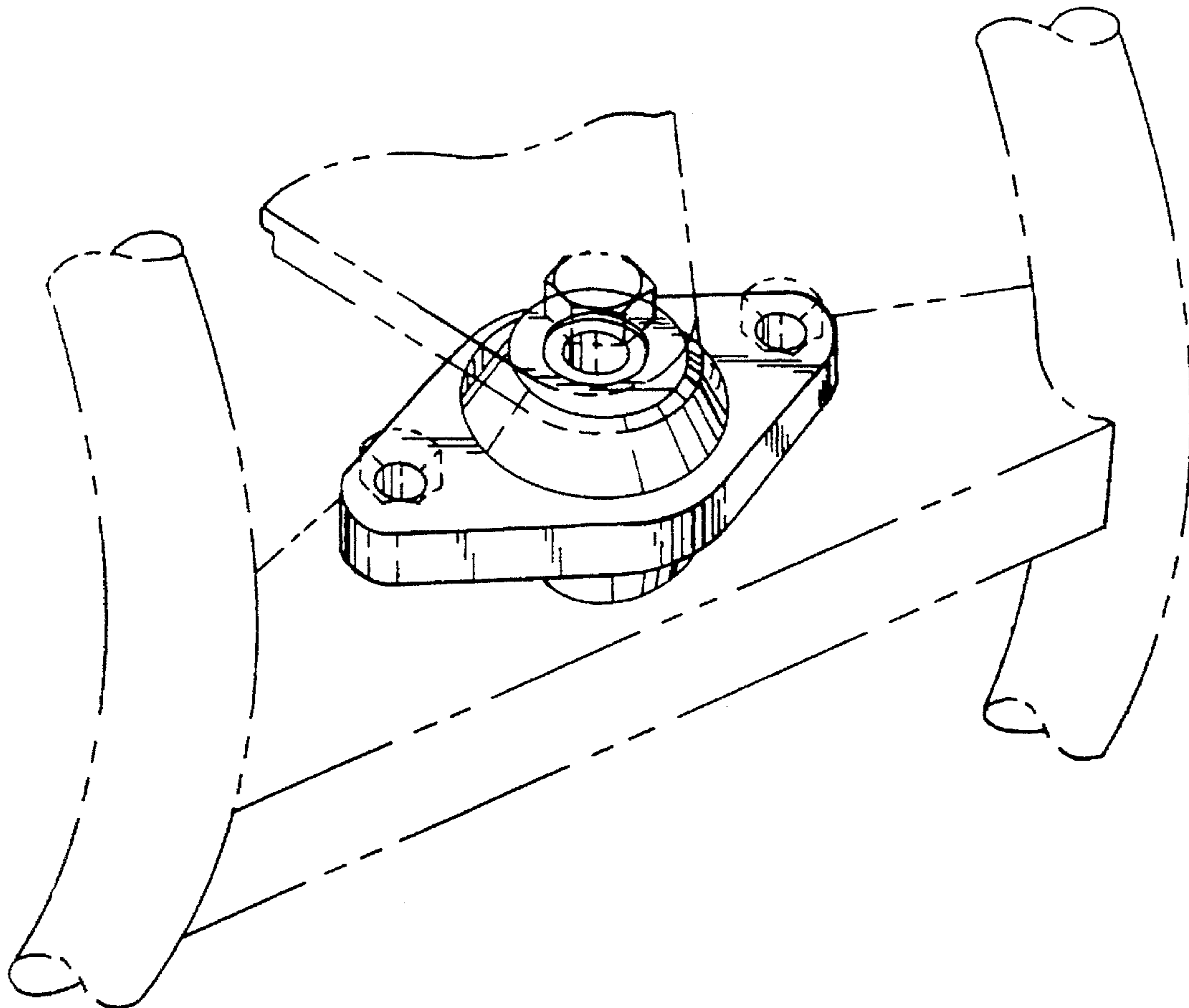
FIG. 3 is a bottom plan view showing my new design;

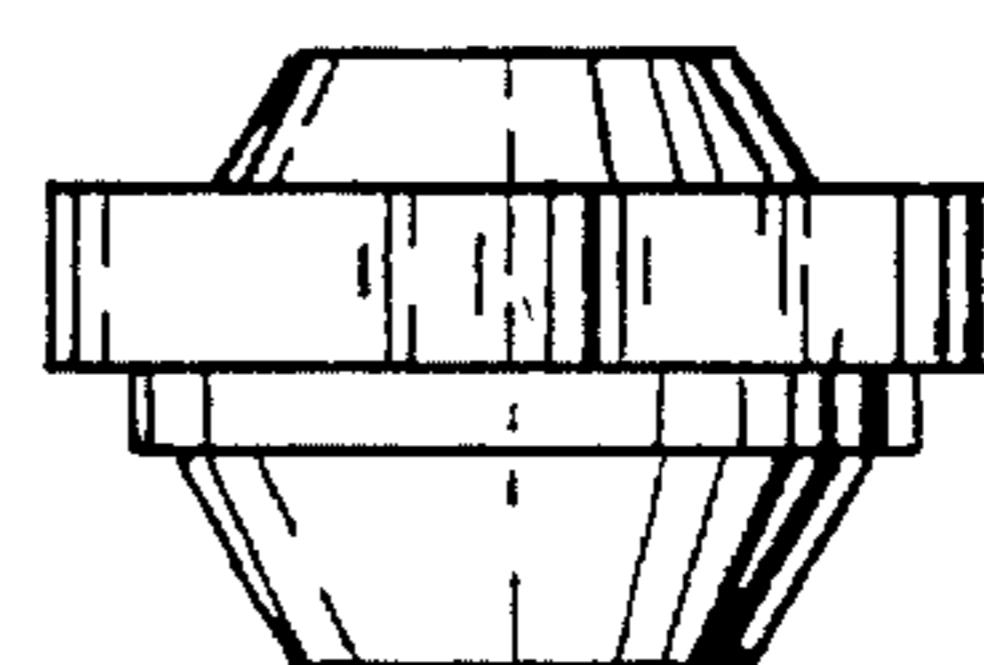
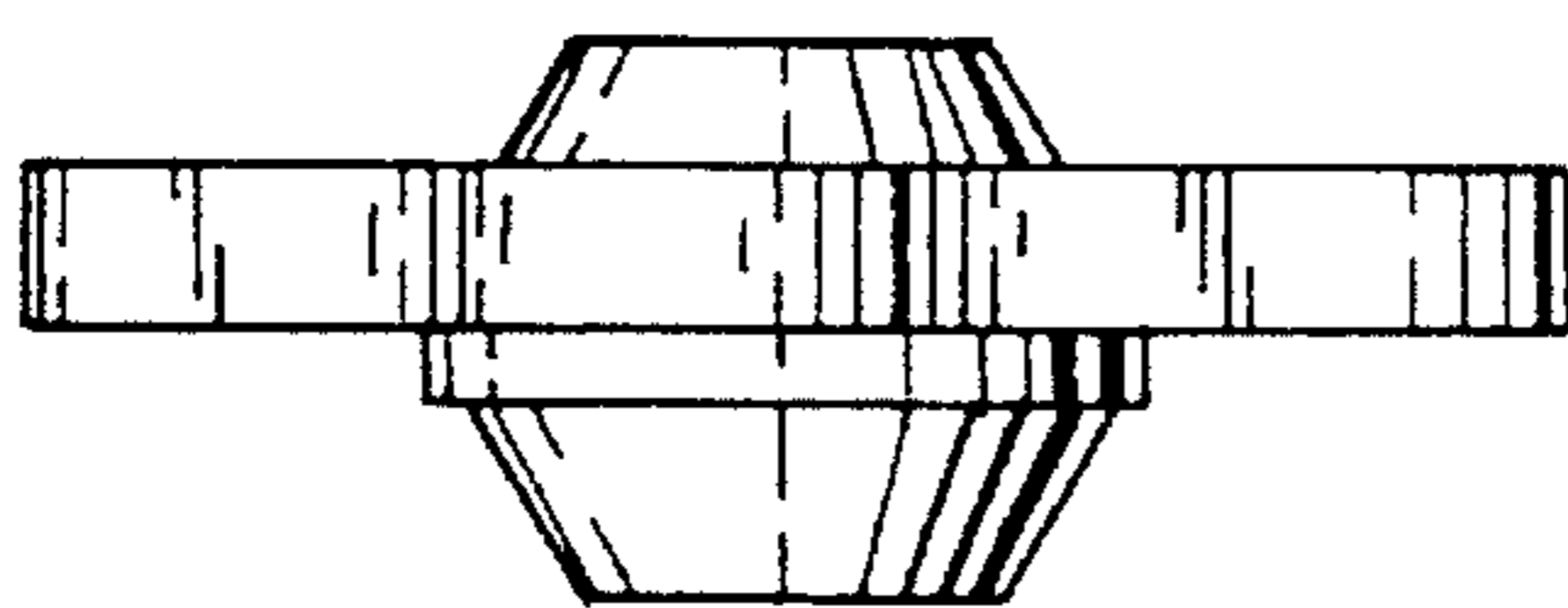
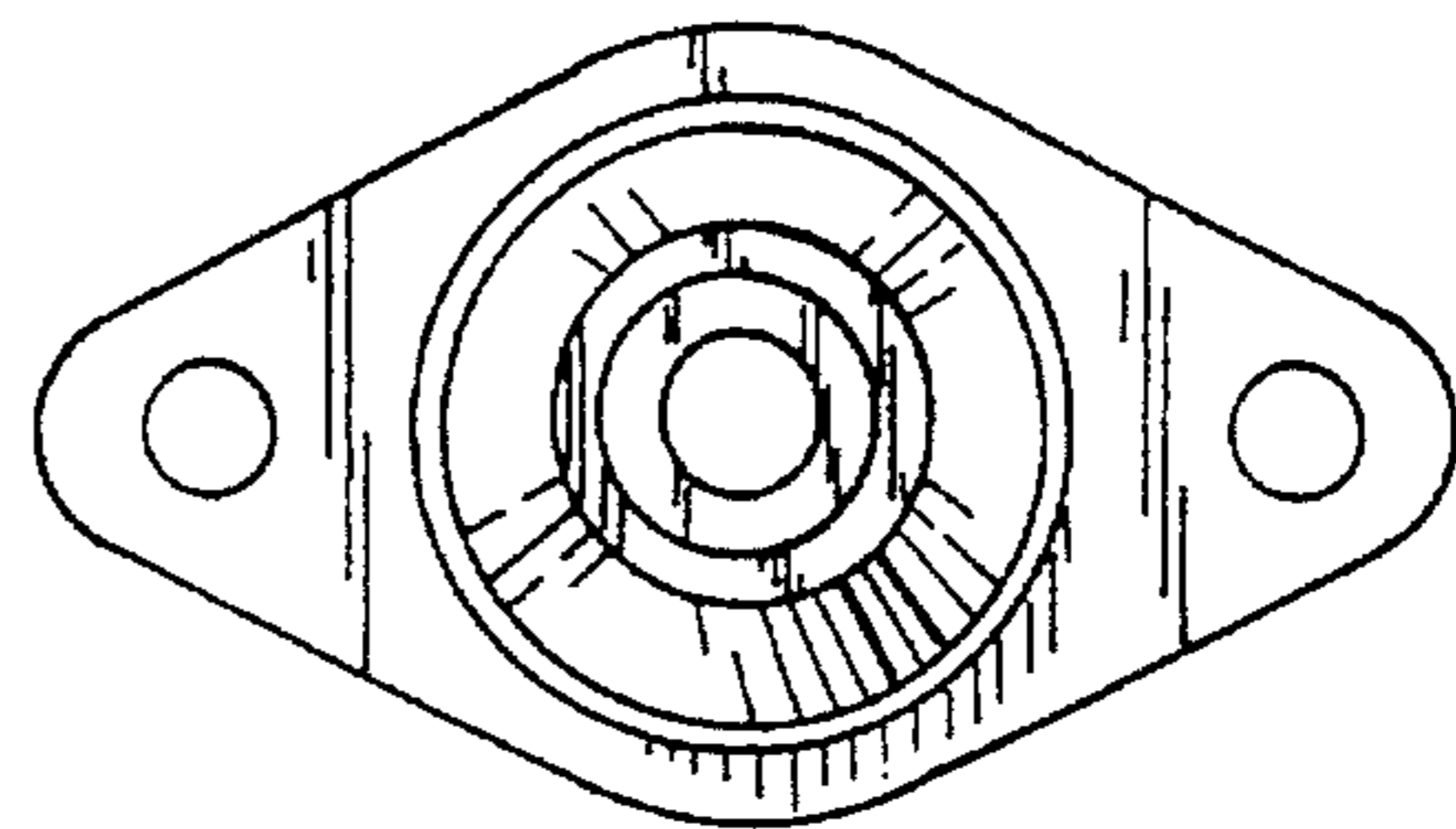
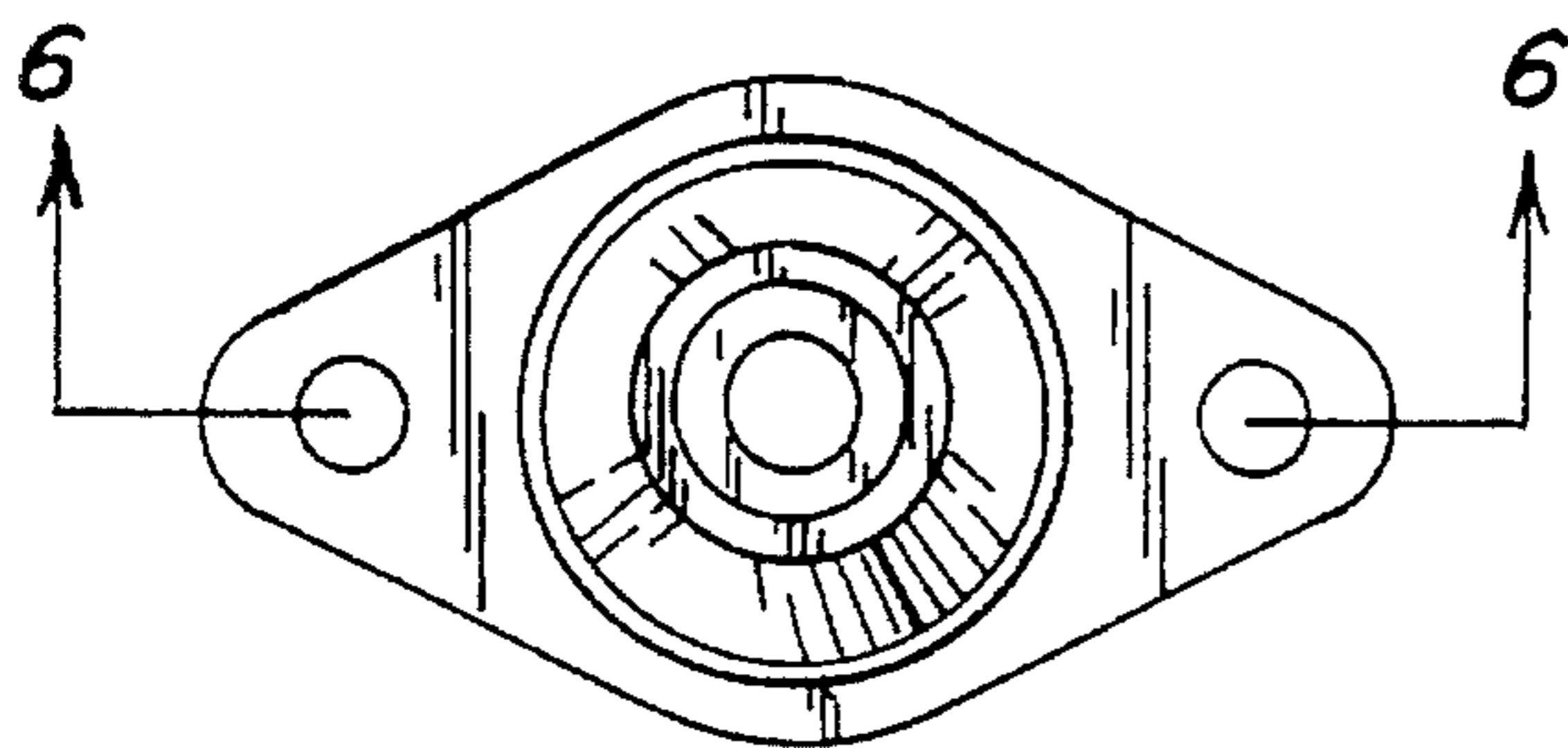
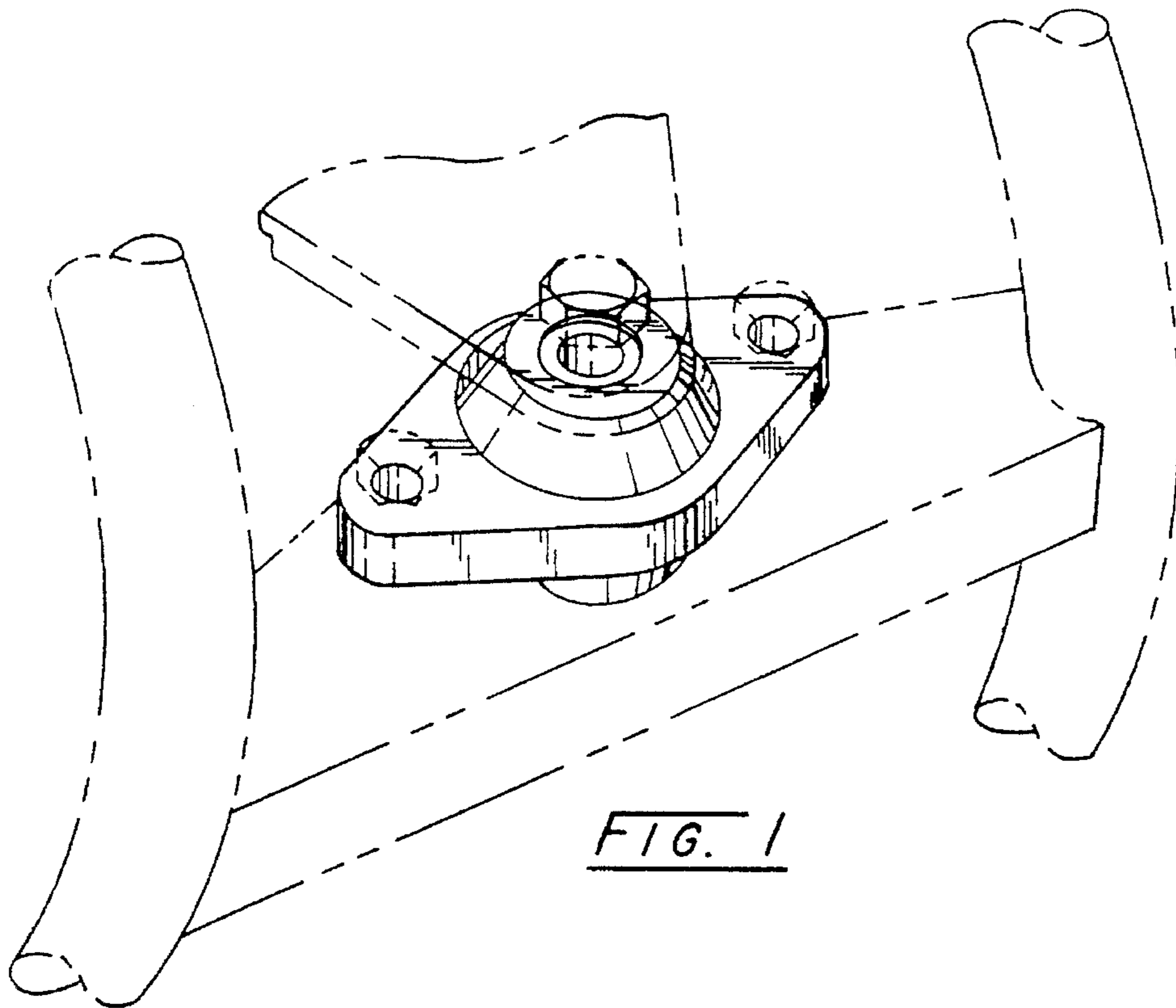
FIG. 4 is a front elevational view of FIG. 2 with the rear view being identical in appearance;

FIG. 5 is a right-hand side elevational view of FIG. 4 with the left side being identical in appearance; and,

FIG. 6 is a sectional view taken along line 6—6 of FIG. 2.

**1 Claim, 2 Drawing Sheets**





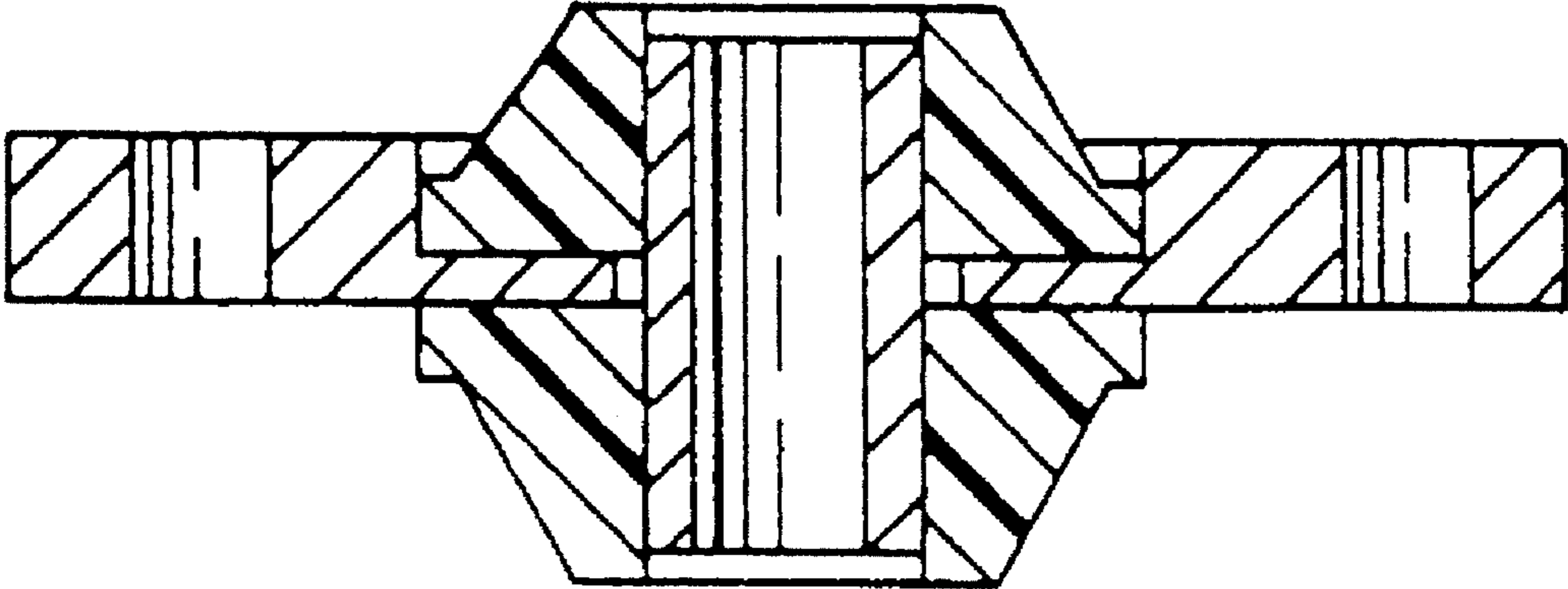


FIG. 6