



US00D367244S

**United States Patent** [19]  
**Sellers**

[11] **Patent Number: Des. 367,244**

[45] **Date of Patent: \*\*Feb. 20, 1996**

[54] **PLANT SAUCER FOR MULTIPLE PLANT GROUPINGS**

[76] Inventor: **Kathleen R. Sellers**, 228 E. Boca Raton Rd., Boca Raton, Fla. 33432

[\*\*] Term: **14 Years**

[21] Appl. No.: **37,727**

[22] Filed: **Apr. 19, 1995**

[52] U.S. Cl. .... **D11/164**

[58] Field of Search ..... D11/164; 47/18 R, 47/39 P, 71; D7/502, 543, 560; 206/557

[56] **References Cited**

**U.S. PATENT DOCUMENTS**

D. 320,908	10/1991	Zimmerman	.....	D7/560	X
3,318,283	5/1967	Maclam et al.	.....	206/557	X
4,232,482	11/1980	Watt et al.	.....	47/71	

**FOREIGN PATENT DOCUMENTS**

1221338	5/1987	Canada	.....	206/557
644892	10/1928	France	.....	206/557
1914676	10/1970	Germany	.....	47/71
653568	5/1951	United Kingdom	.....	206/557

**OTHER PUBLICATIONS**

"Design", Dec. 1974, p. 67, butter dish, upper left corner.  
"HFD-Retailing Home Furnishings", Oct. 8, 1979, p. 69, butter keeper.

*Primary Examiner*—Alan P. Douglas  
*Assistant Examiner*—Cathron B. Matta  
*Attorney, Agent, or Firm*—Malin, Haley, DiMaggio & Crosby

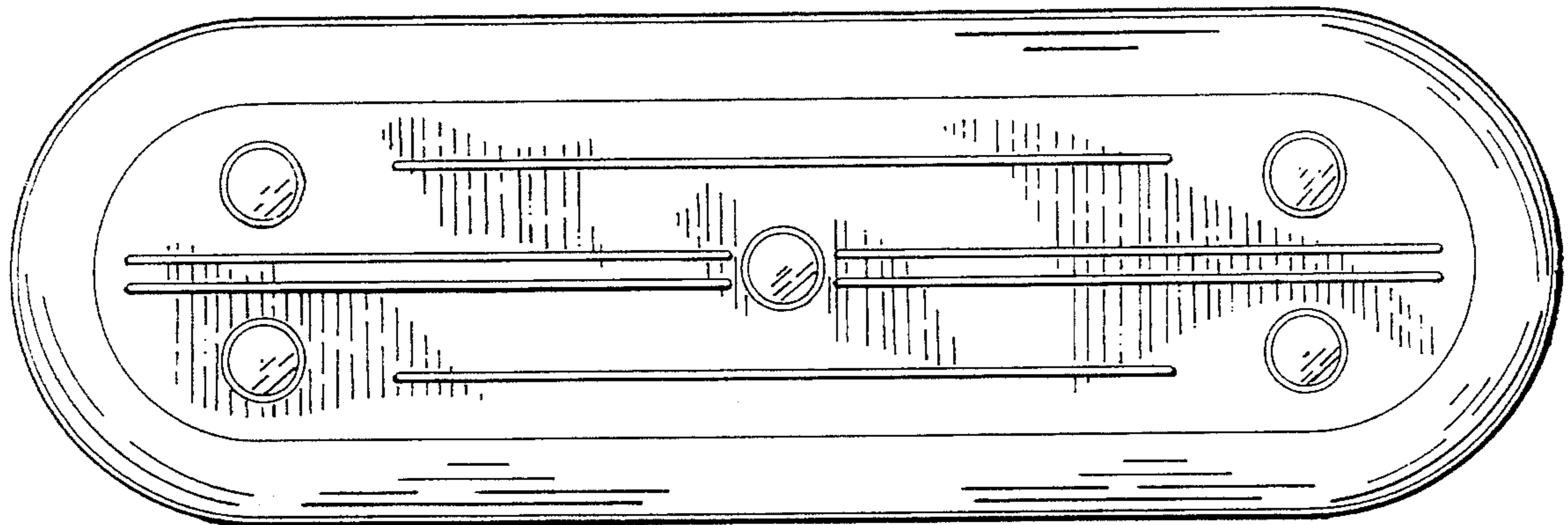
[57] **CLAIM**

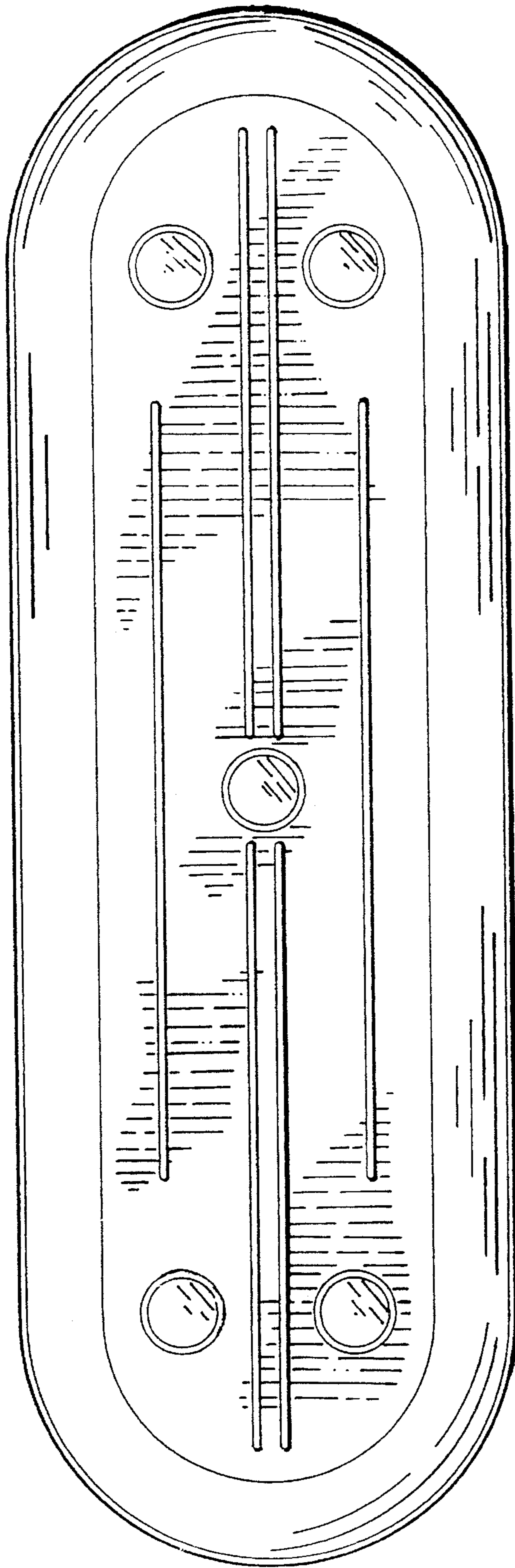
The ornamental design for a plant saucer for multiple plant groupings, as shown and described.

**DESCRIPTION**

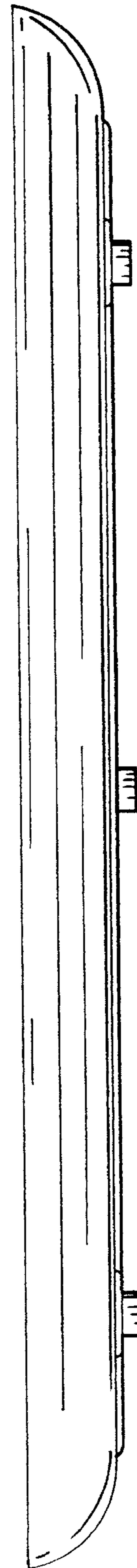
FIG. 1 is a top plan view of the plant saucer for multiple plant groupings, showing the new design;  
FIG. 2 is a side elevational view thereof; an elevational view of the opposite side is identical;  
FIG. 3 is a bottom plan view thereof;  
FIG. 4 is an end elevational view thereof; an elevational view of the opposite end is identical;  
FIG. 5 is a top plan view of the plant saucer for multiple plant groupings showing an alternate embodiment of the new design as transparent;  
FIG. 6 is a side elevational view of the alternate embodiment of FIG. 5 of the new design; an elevational view of the opposite side is identical;  
FIG. 7 is a bottom plan view of the alternate embodiment of FIG. 5 of the new design; and,  
FIG. 8 is an end elevational view of the alternate embodiment of FIG. 5 of the new design; an elevational view of the opposite side is identical.

**1 Claim, 4 Drawing Sheets**

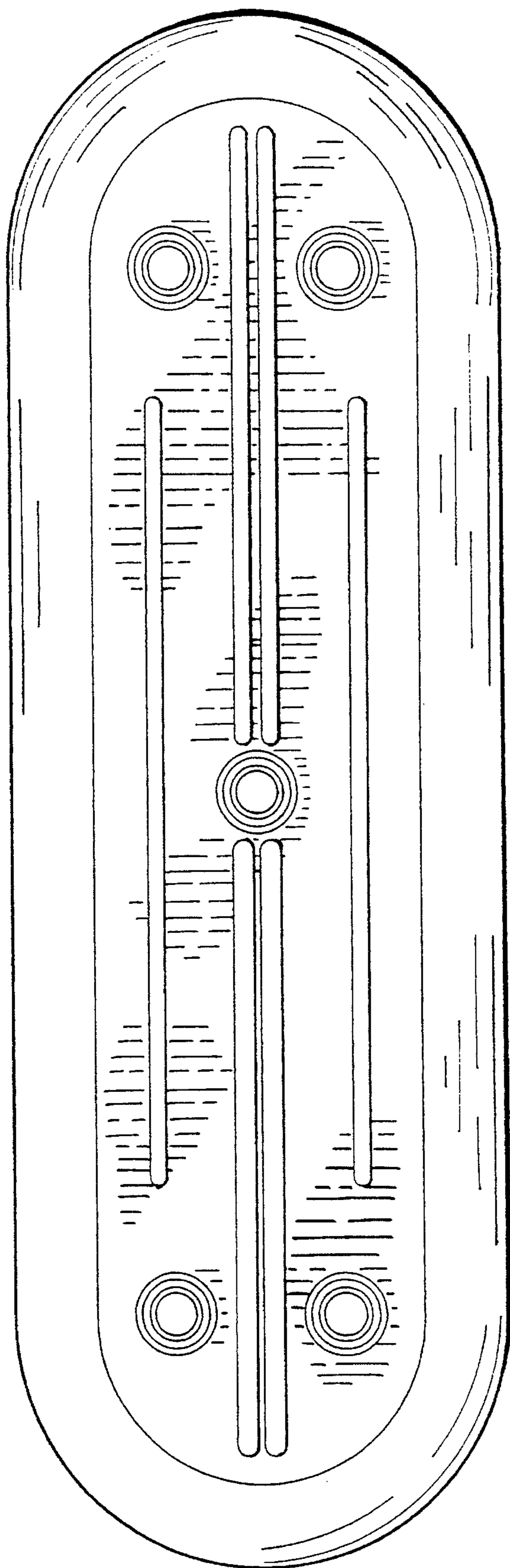




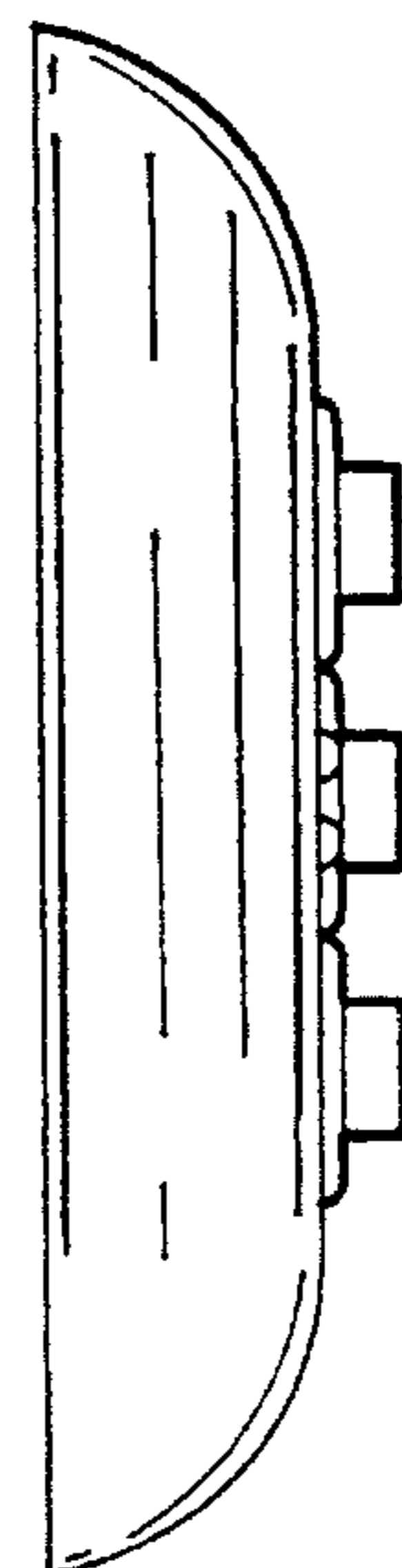
*Fig. 1*



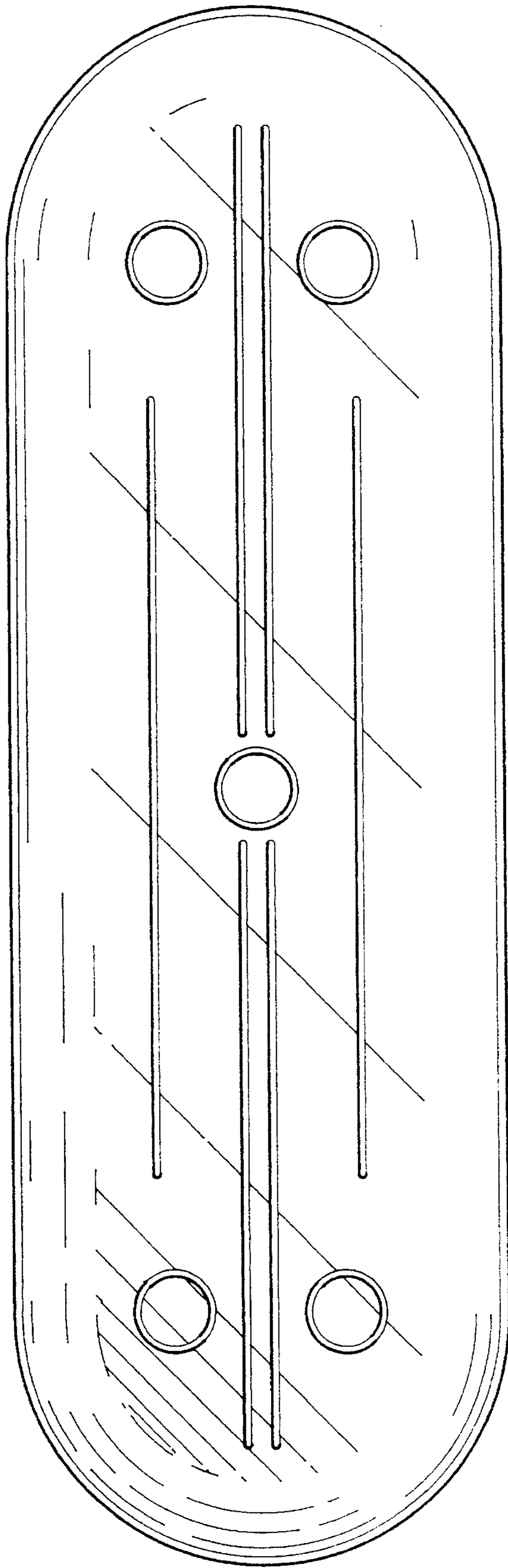
*Fig. 2*



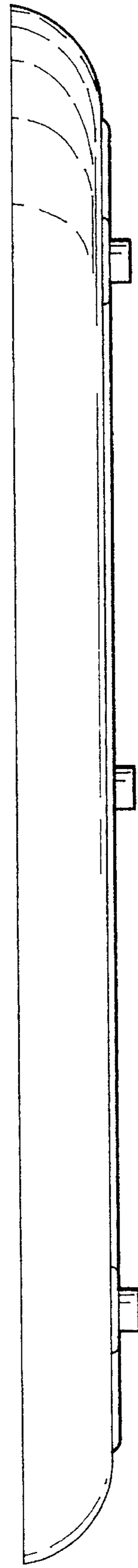
*Fig. 3*



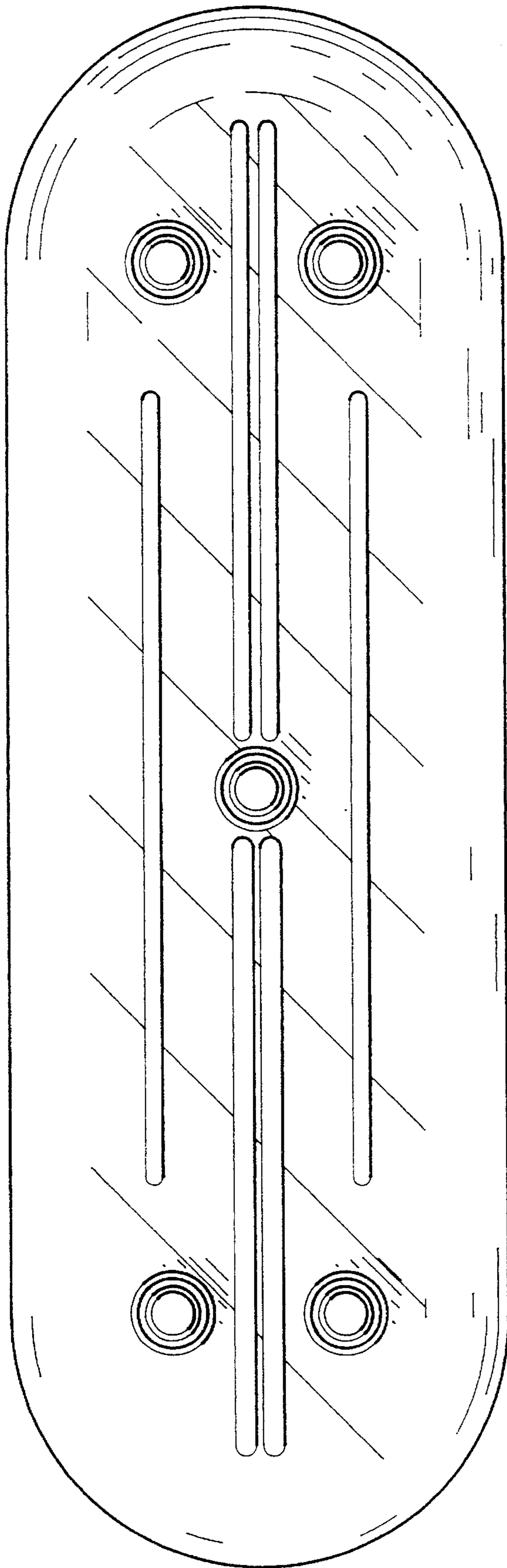
*Fig. 4*



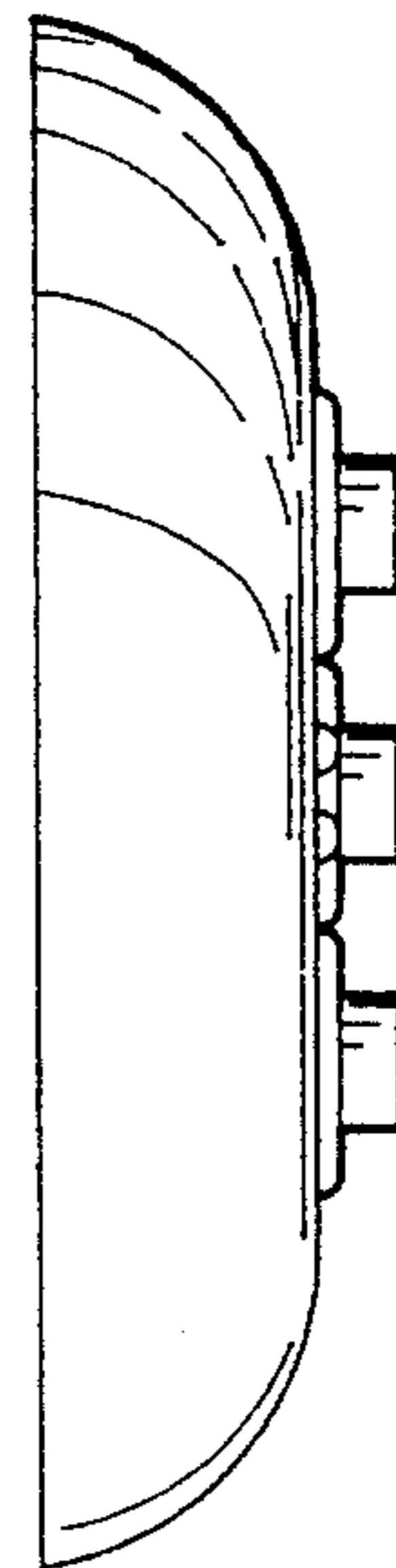
*Fig. 5*



*Fig. 6*



*Fig. 7*



*Fig. 8*