



US00D367243S

# United States Patent [19]

[11] Patent Number: **Des. 367,243**

McAllister

[45] Date of Patent: **\*\*Feb. 20, 1996**

[54] **PLANTER FOR MOUNTING ON RAILING**

[57] **CLAIM**

[75] Inventor: **John S. McAllister**, Orangeville, Canada

The ornamental design for a planter for mounting on railing, as shown and described.

[73] Assignee: **Akryl Industries Inc.**, Rexdale, Canada

**DESCRIPTION**

[\*\*] Term: **14 Years**

FIG. 1 is a front perspective view of a first embodiment of the planter of the present invention, which view also shows the top of the planter;

[21] Appl. No.: **37,133**

FIG. 2 is another perspective view of the planter of FIG. 1 showing the bottom and left side thereof;

[22] Filed: **Apr. 4, 1995**

[52] U.S. Cl. .... **D11/152**

FIG. 3 is a top view of the first embodiment;

[58] Field of Search ..... D11/143, 152;  
D9/520, 549; 47/39, 67 R

FIG. 4 is a bottom view of the first embodiment;

FIG. 5 is a front view of the first embodiment;

FIG. 6 is a side elevational view of the first embodiment;

FIG. 7 is a front perspective view similar to FIG. 1 but showing a second embodiment of the planter of the present invention;

FIG. 8 is a perspective view similar to FIG. 2 but showing the second embodiment;

FIG. 9 is a top view of the second embodiment;

FIG. 10 is a bottom view of the second embodiment;

FIG. 11 is a front view of the second embodiment; and,

FIG. 12 is a side elevational view of the second embodiment.

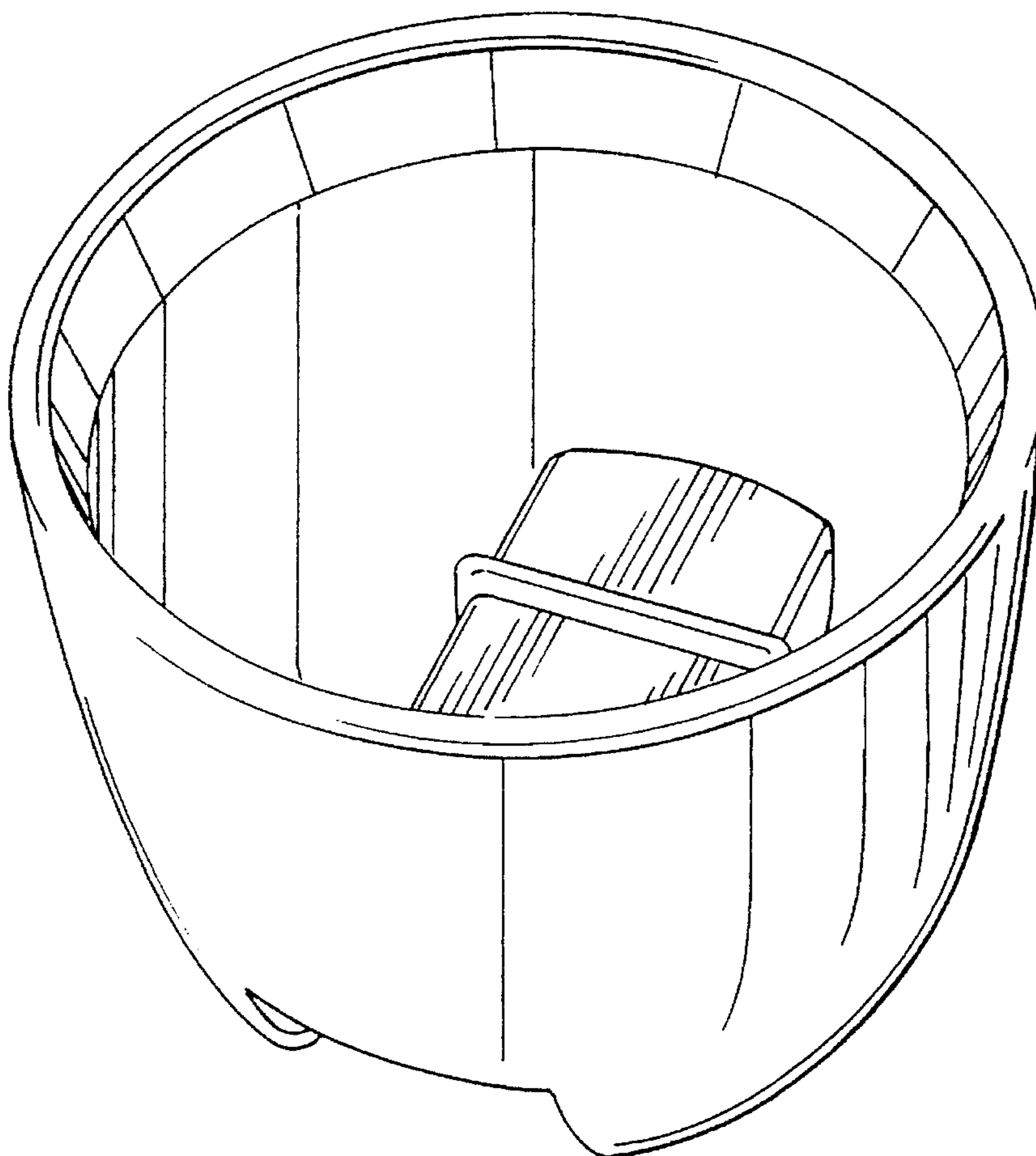
[56] **References Cited**

**U.S. PATENT DOCUMENTS**

D. 296,088	6/1988	Pouliot	.....	D11/155
D. 296,089	6/1988	Pouliot	.....	D11/156
D. 312,983	12/1990	Powell	.....	D11/143 X
D. 316,835	5/1991	Ginsberg	.....	D11/143
4,559,738	12/1985	Helfman	.	

*Primary Examiner*—Alan P. Douglas  
*Assistant Examiner*—Cathron B. Matta  
*Attorney, Agent, or Firm*—Barrigar & Moss

**1 Claim, 6 Drawing Sheets**



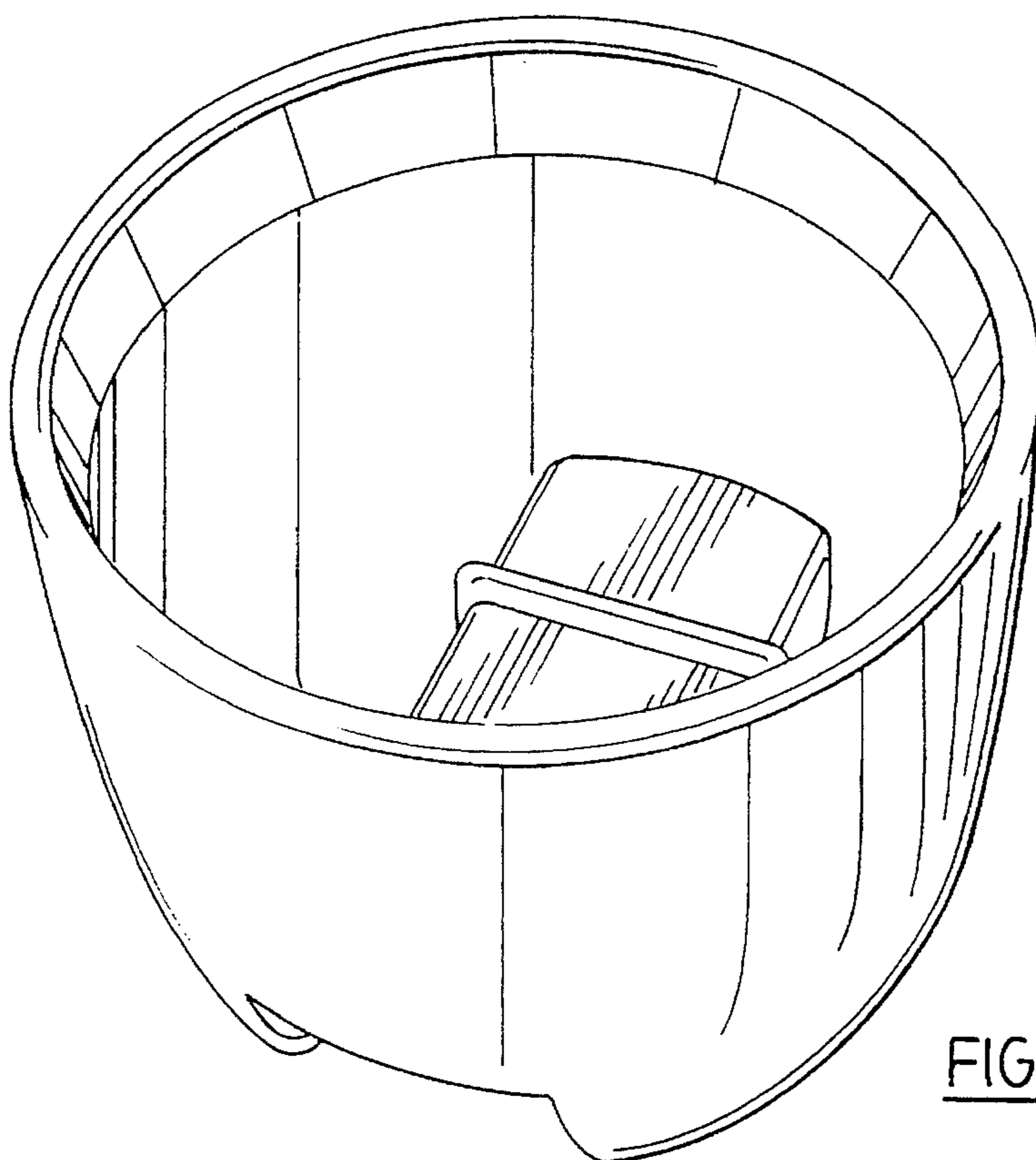


FIG. 1

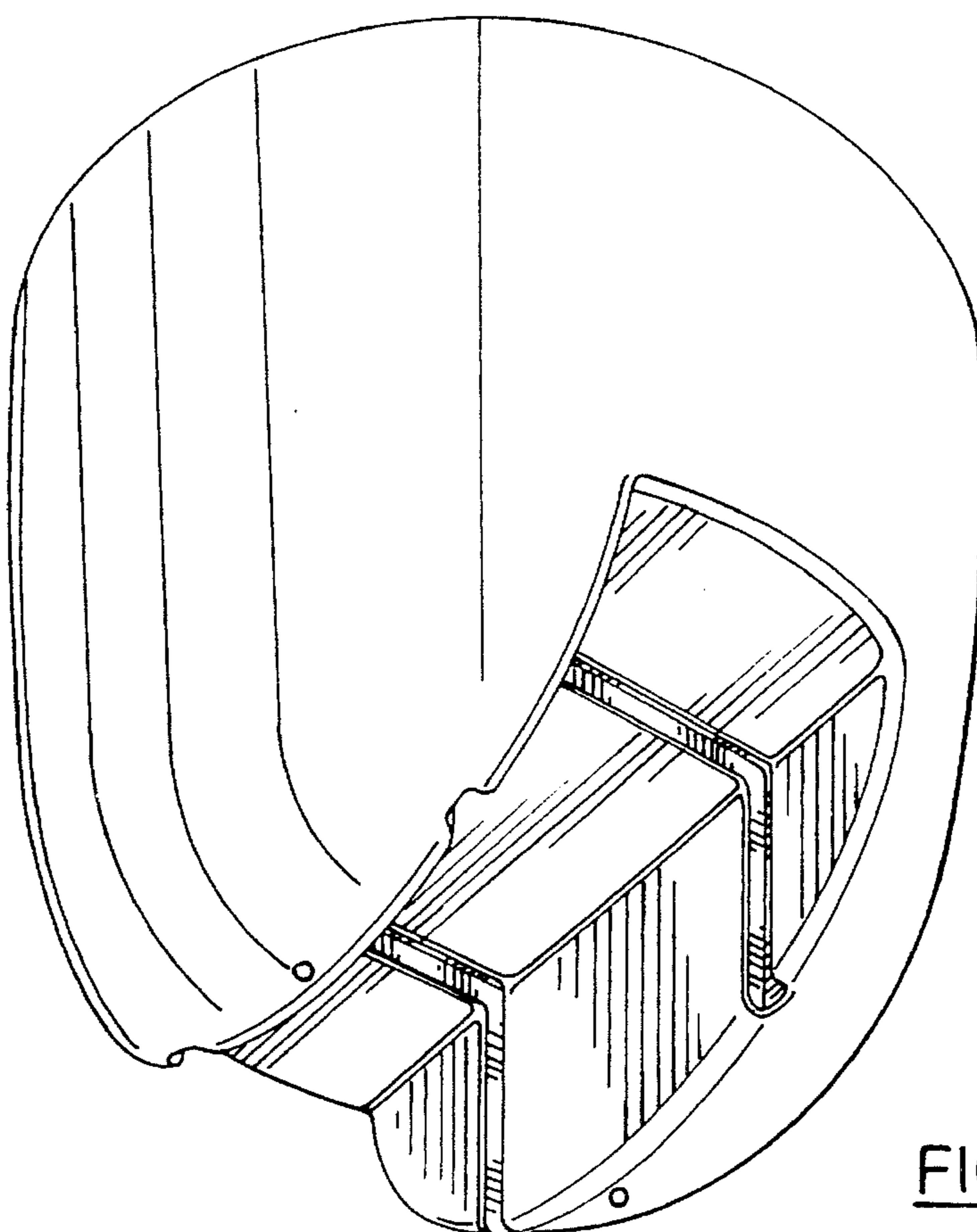


FIG. 2

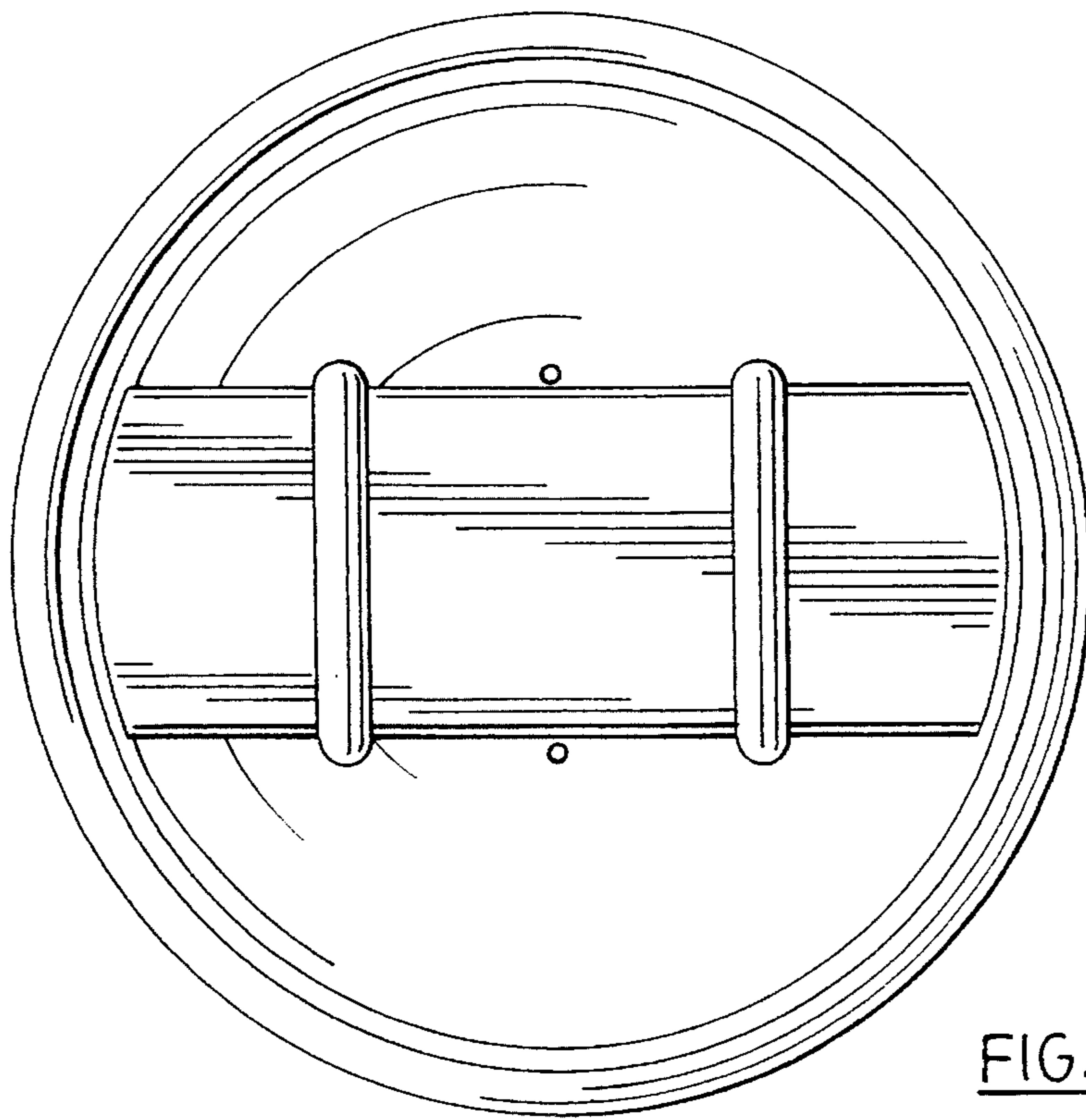


FIG. 3

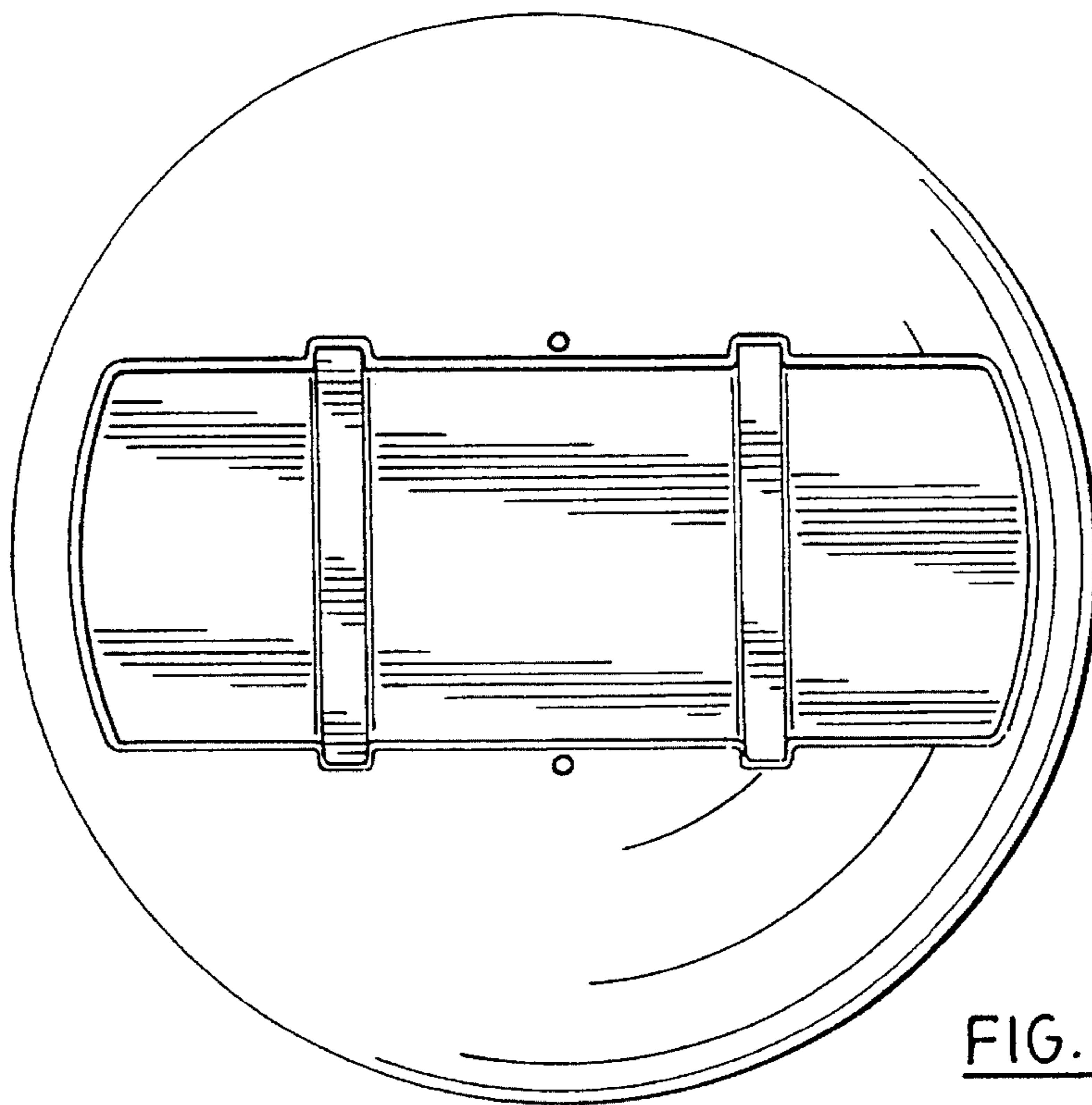


FIG. 4

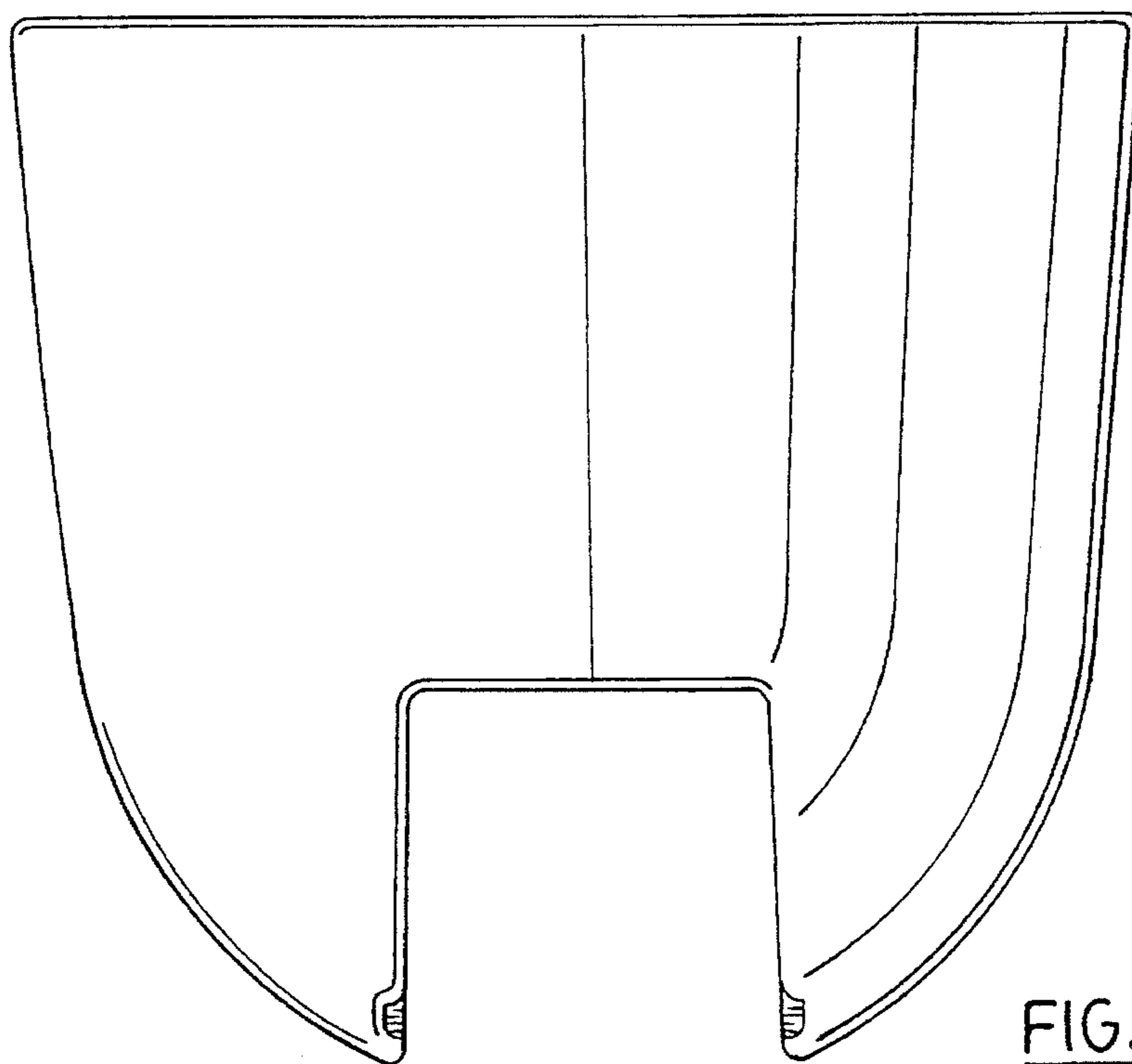


FIG. 5

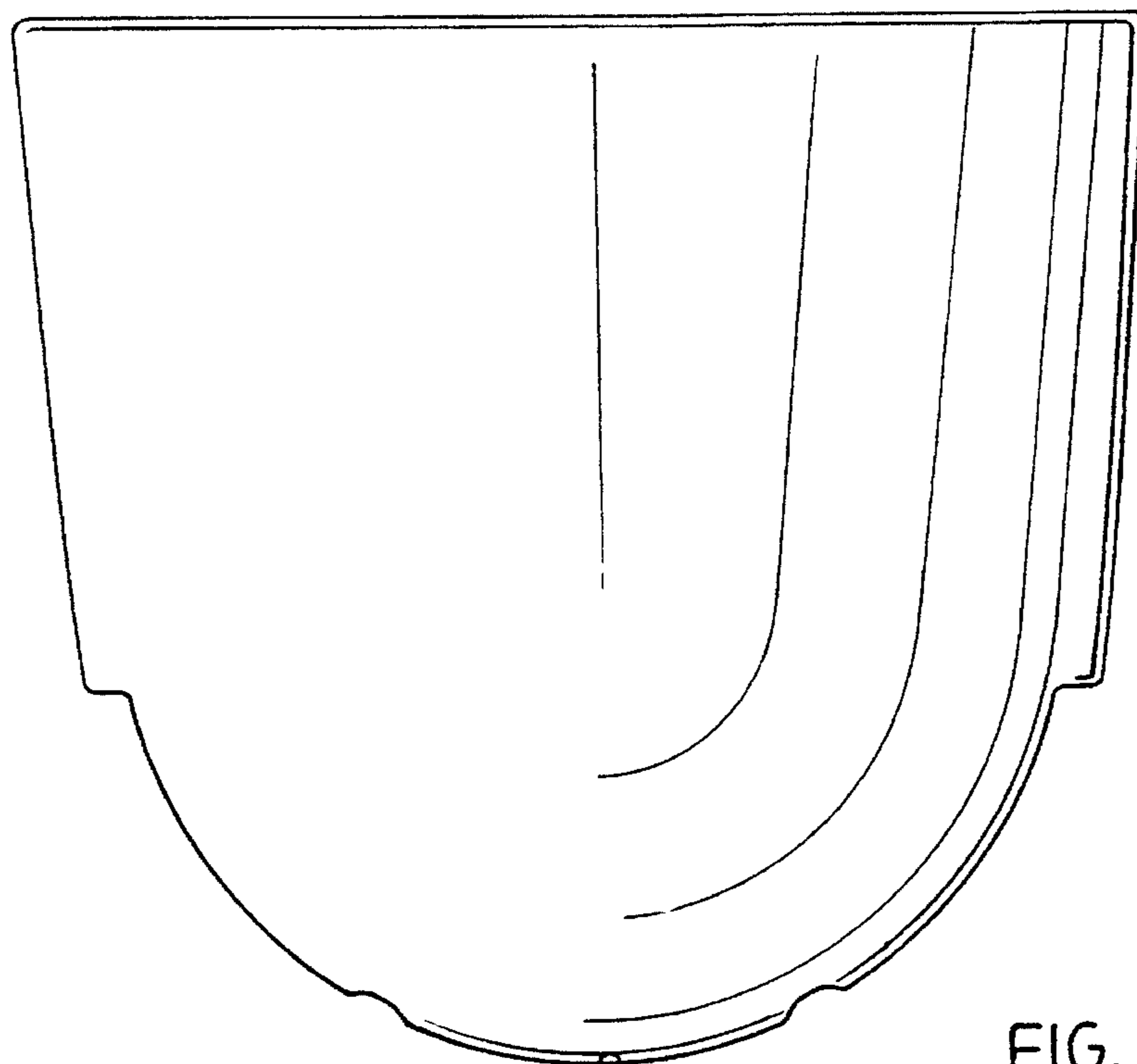


FIG. 6

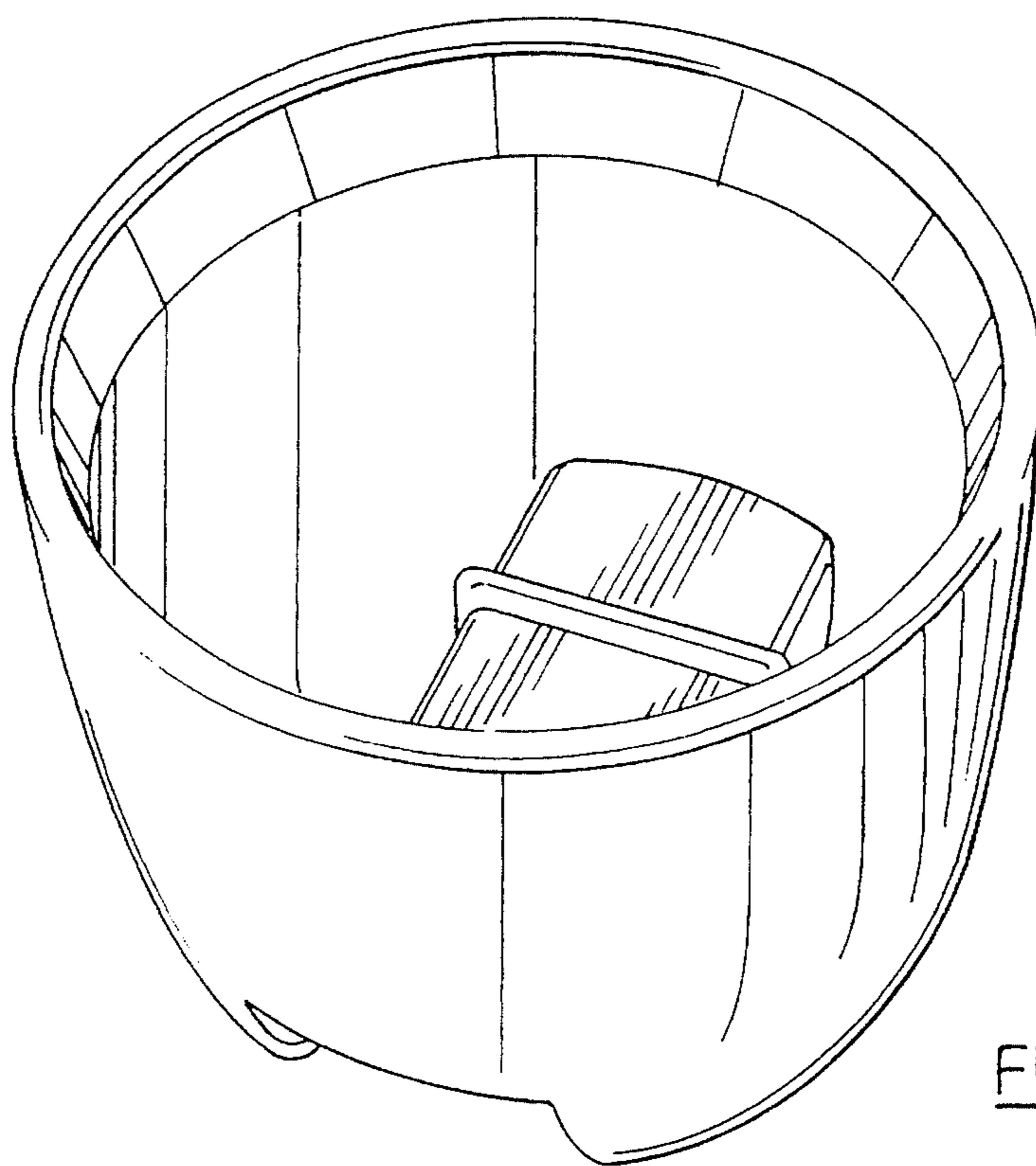


FIG. 7

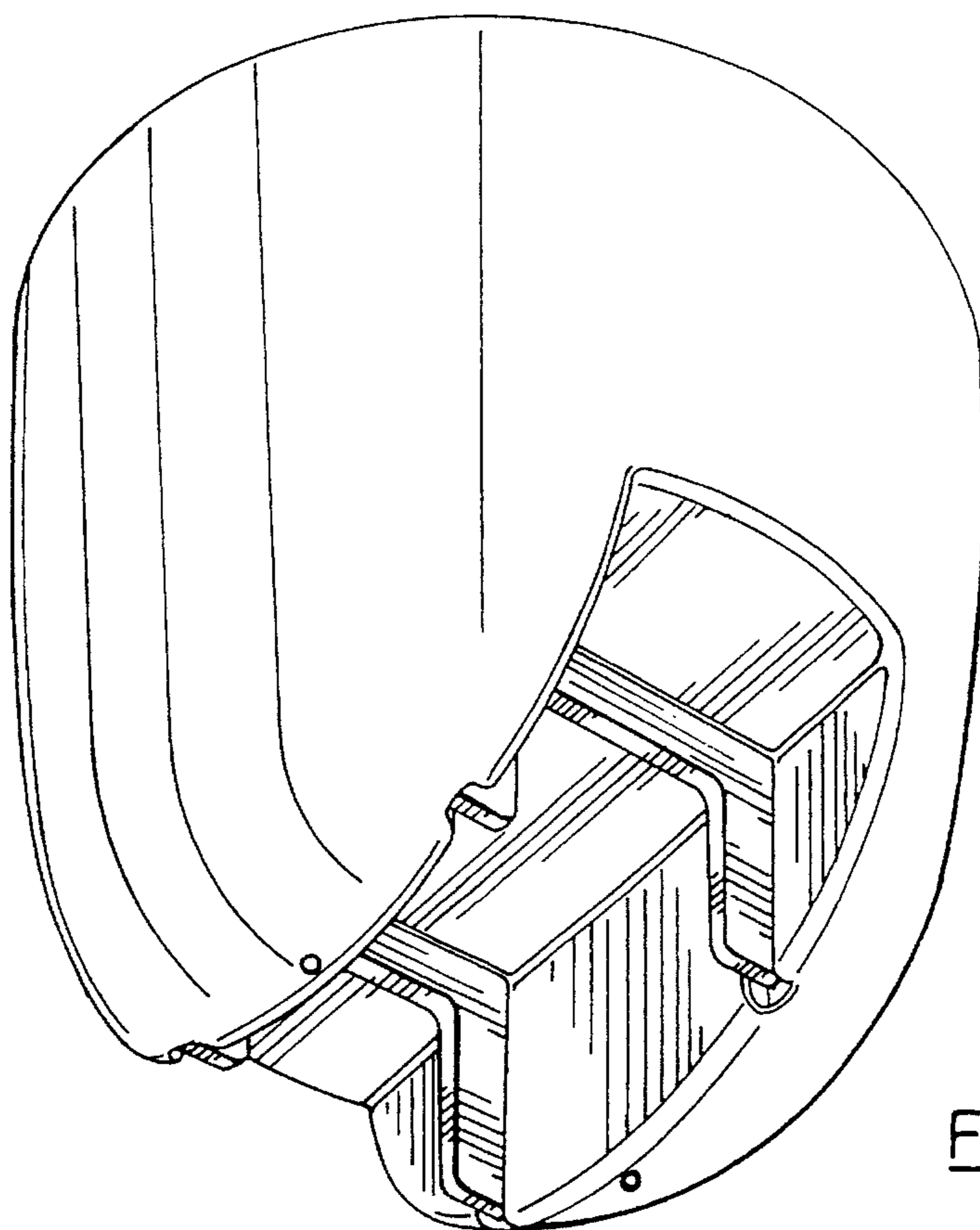


FIG. 8

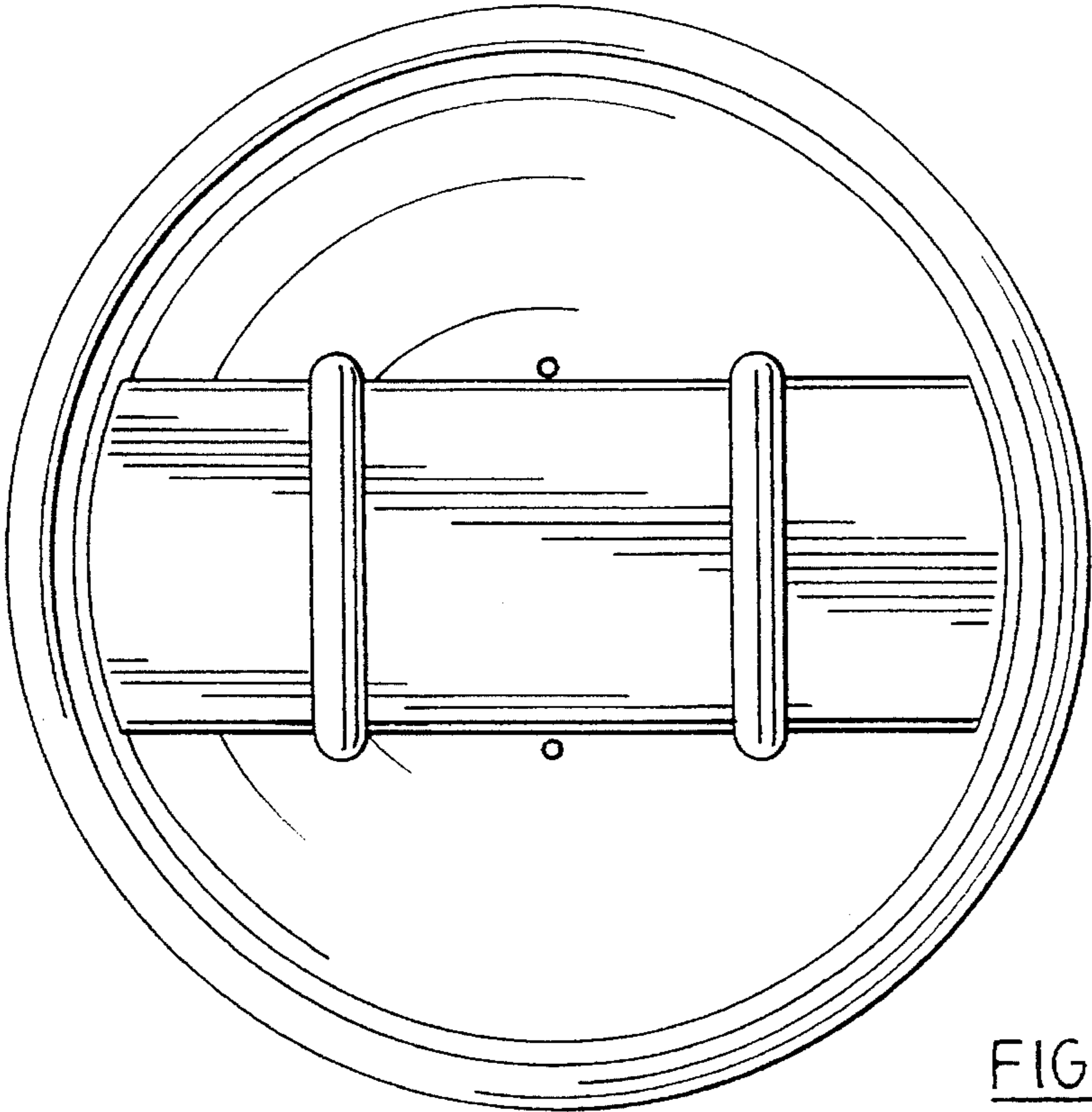


FIG. 9

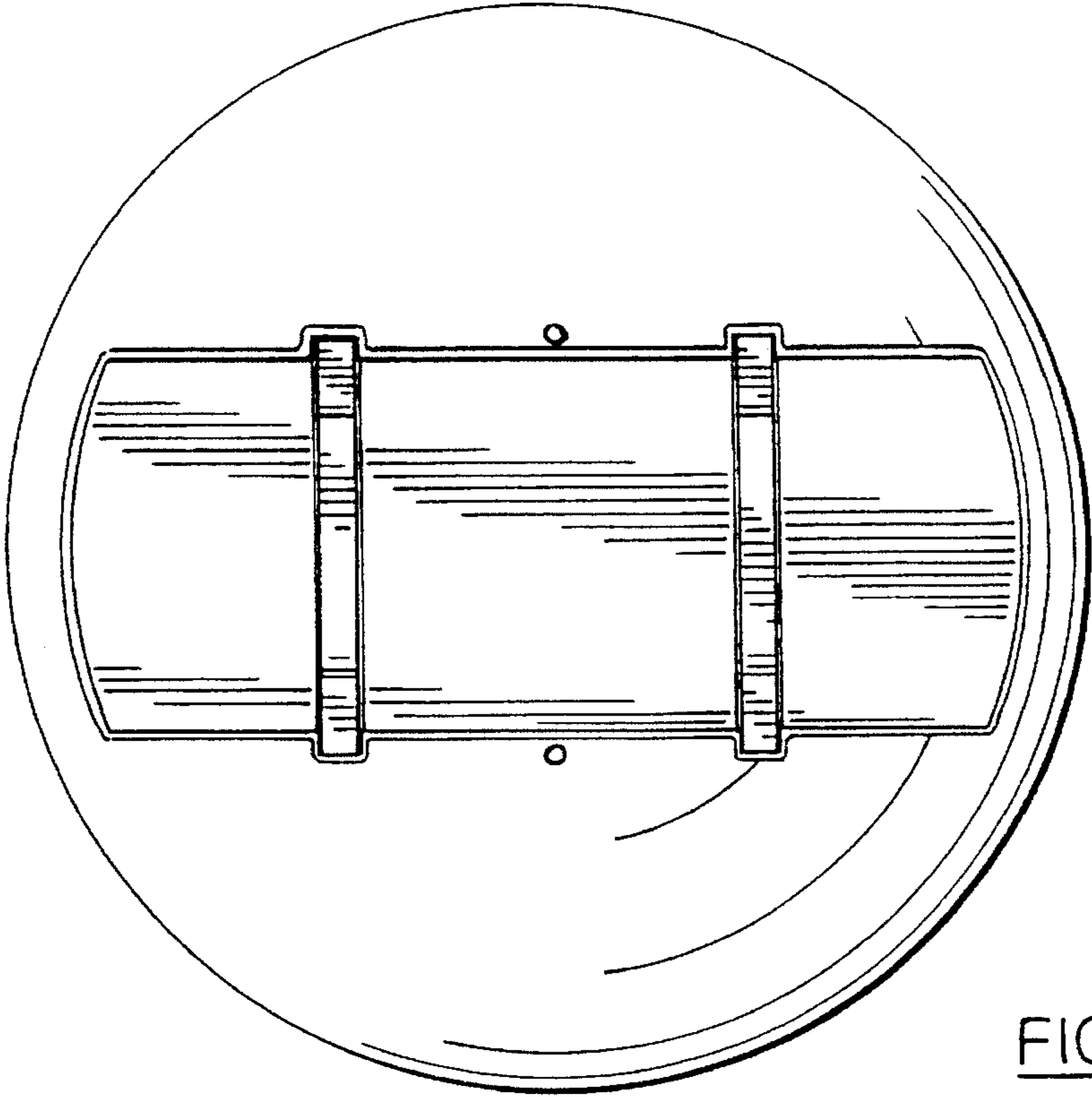


FIG. 10

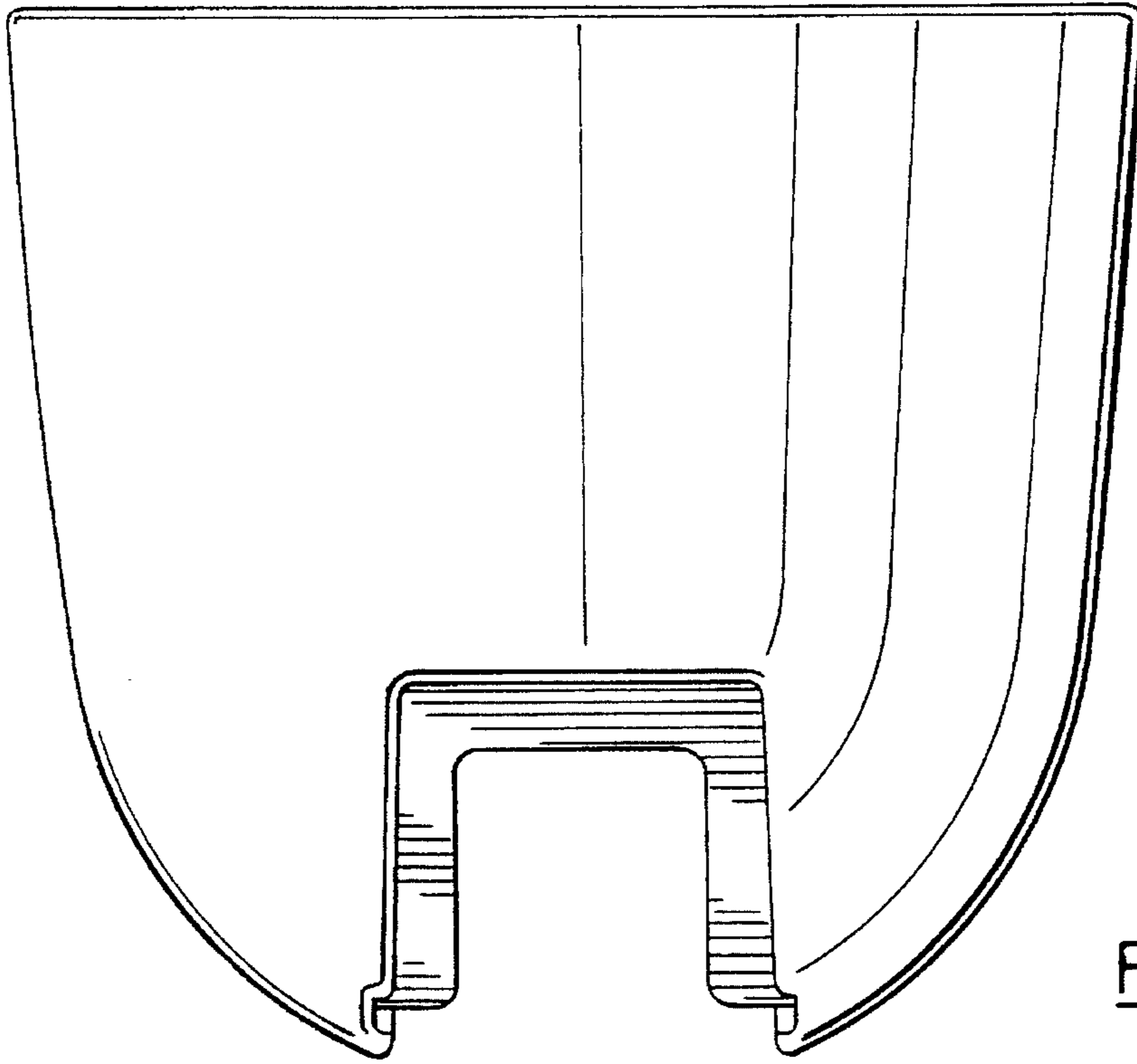


FIG. 11

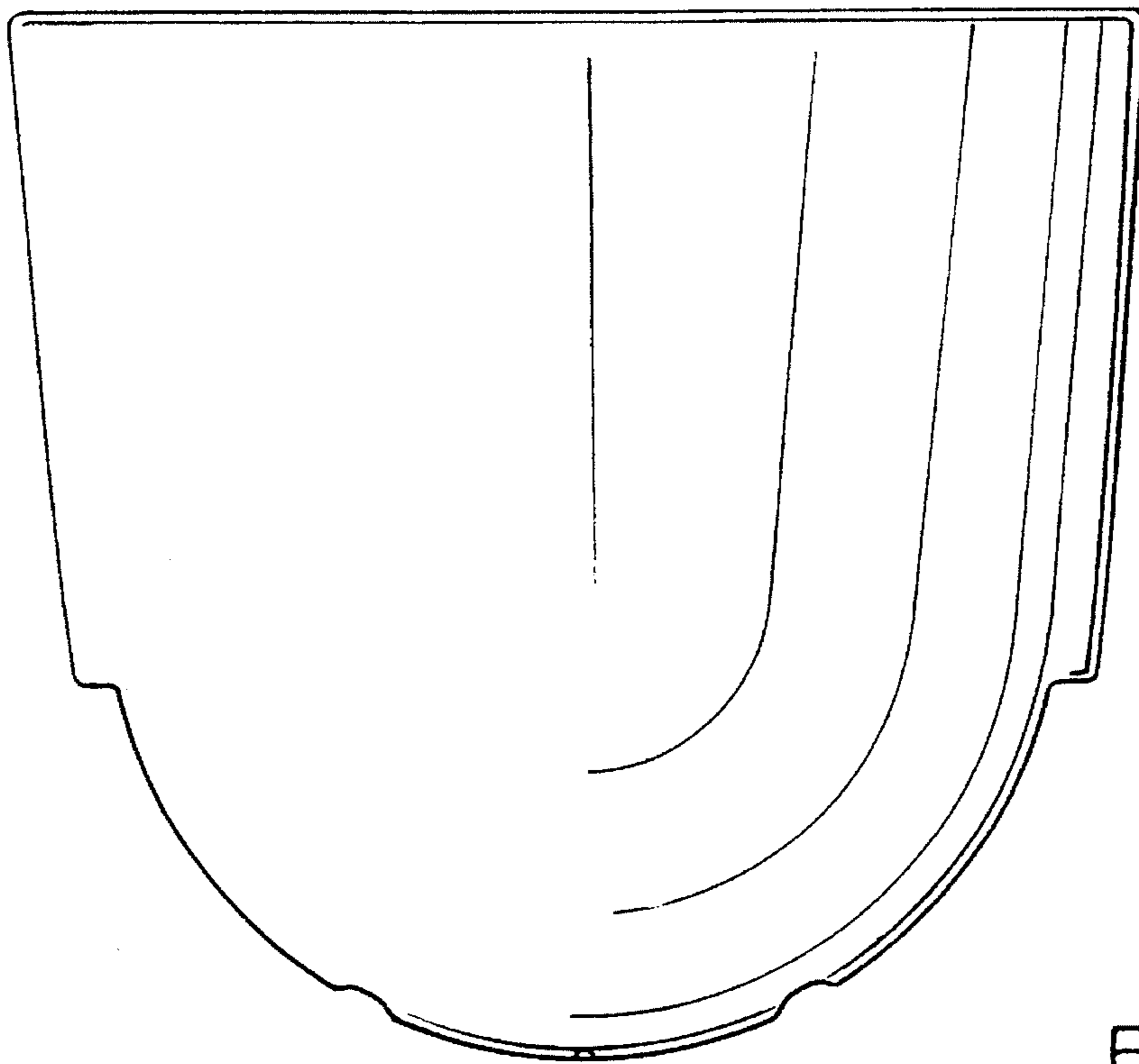


FIG. 12