



US00D367238S

**United States Patent** [19]  
**Jambor**

[11] **Patent Number: Des. 367,238**

[45] **Date of Patent: \*\*Feb. 20, 1996**

[54] **GOLF COURSE GROUND MARKER**

[75] Inventor: **Charles E. Jambor**, Simcoe, Canada

[73] Assignee: **Karoly-J Limited**, Simcoe, Canada

[\*\*] Term: **14 Years**

[21] Appl. No.: **19,681**

[22] Filed: **Dec. 13, 1993**

[52] **U.S. Cl.** ..... **D10/109**

[58] **Field of Search** ..... D10/104, 109,  
D10/111, 113, 114; D20/10, 22, 27, 28,  
39, 40; 40/152, 152.1; 273/32 R, 32 H,  
176 A, 176 L; 404/5, 6, 7, 8, 9, 10, 11

[56] **References Cited**

**U.S. PATENT DOCUMENTS**

D. 273,095	3/1984	Schulze .....	D10/109
885,850	4/1908	Josenhans .	
2,159,458	5/1939	Stoddard .....	D10/109
2,800,099	7/1957	Baker .....	D10/109
3,521,596	7/1970	Schlein .....	D10/109
3,634,961	1/1972	Nawalaniec .....	D10/113
3,699,913	10/1972	Sautbine .....	D10/109
3,916,821	11/1975	Pies .	
3,920,348	11/1975	Paulos .	
4,054,000	10/1977	Lisle .	

4,284,365	8/1981	Rabinow .	
4,302,125	11/1981	Cullen, Jr. .	
4,428,168	1/1984	Tomer .	
4,489,669	12/1984	Carman .	
4,739,302	4/1988	Kinard .....	D10/109
4,783,071	11/1988	Tattershall .	
4,979,325	12/1990	White .....	40/152
5,044,634	9/1991	Dudley .	
5,072,940	12/1991	Bailey .	

**FOREIGN PATENT DOCUMENTS**

2202155 9/1988 United Kingdom .

*Primary Examiner*—A. Hugo Word  
*Assistant Examiner*—Marcus Jackson  
*Attorney, Agent, or Firm*—Bereskin & Parr

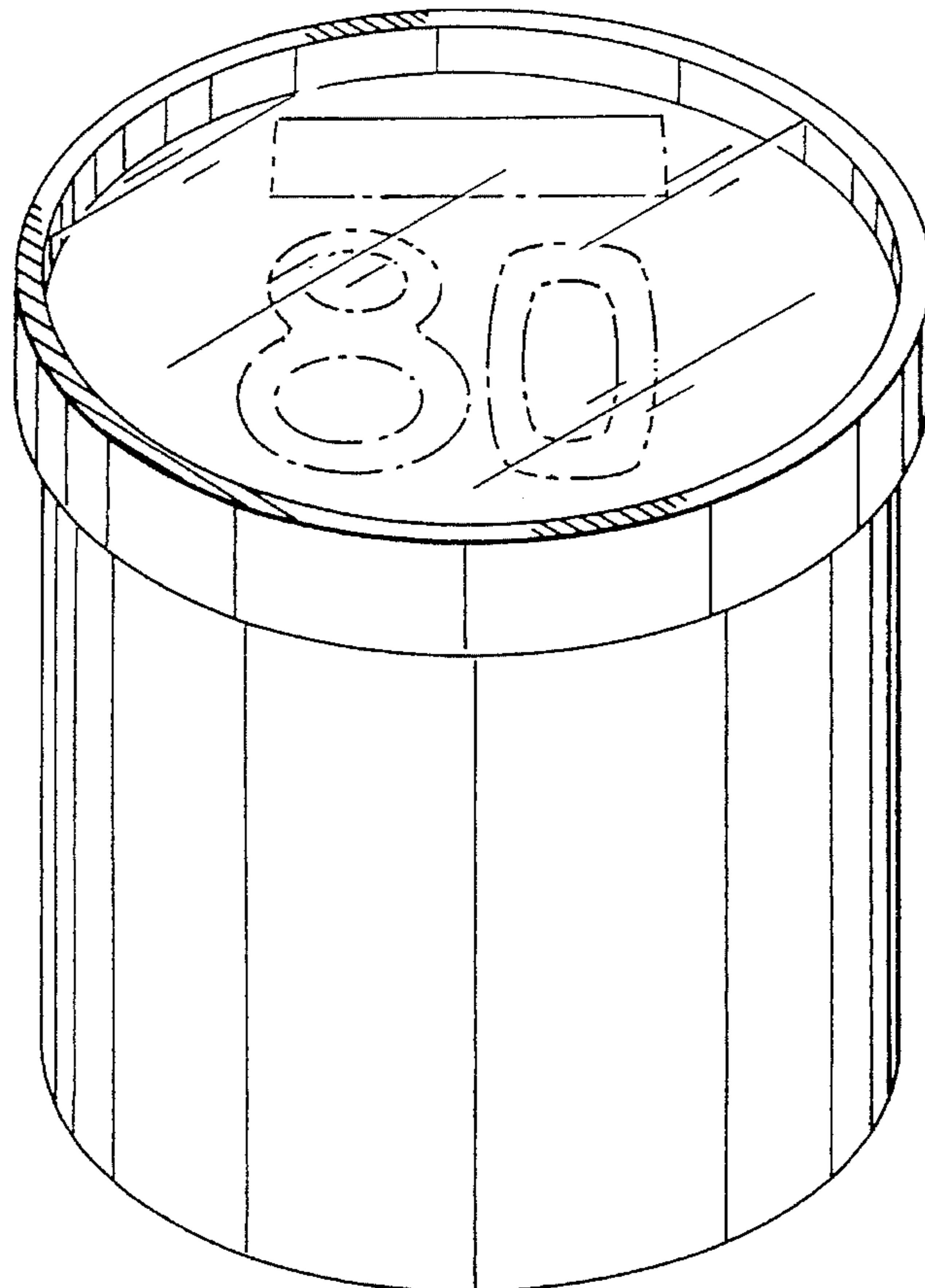
[57] **CLAIM**

The ornamental design for golf course ground marker, as shown and described.

**DESCRIPTION**

FIG. 1 is a top perspective view of the golf course ground marker, with the broken line showing for illustrative purposes only and forming no part of the claimed design; and, FIG. 2 is a bottom perspective view of the golf course ground marker.

**1 Claim, 1 Drawing Sheet**



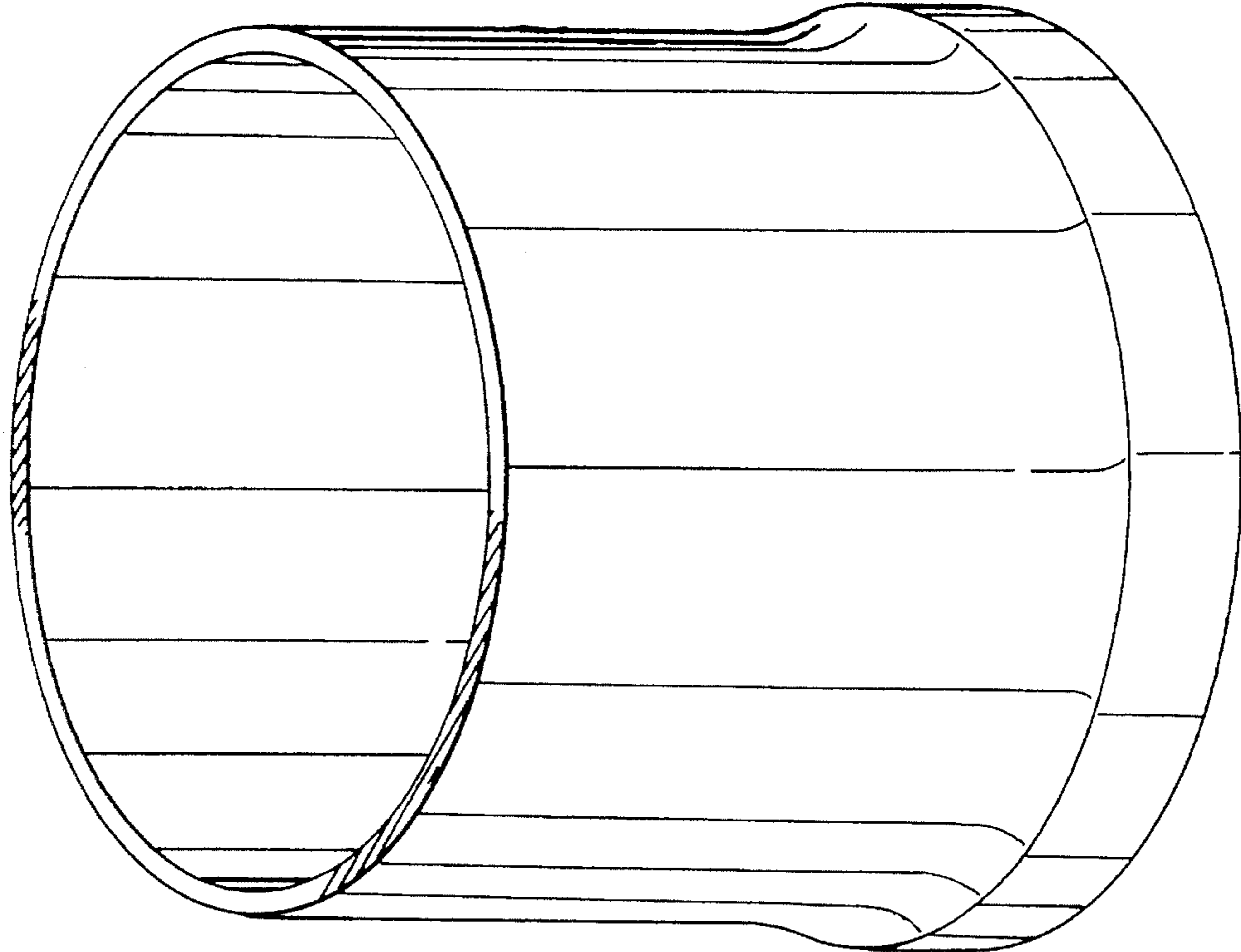


FIG. 2

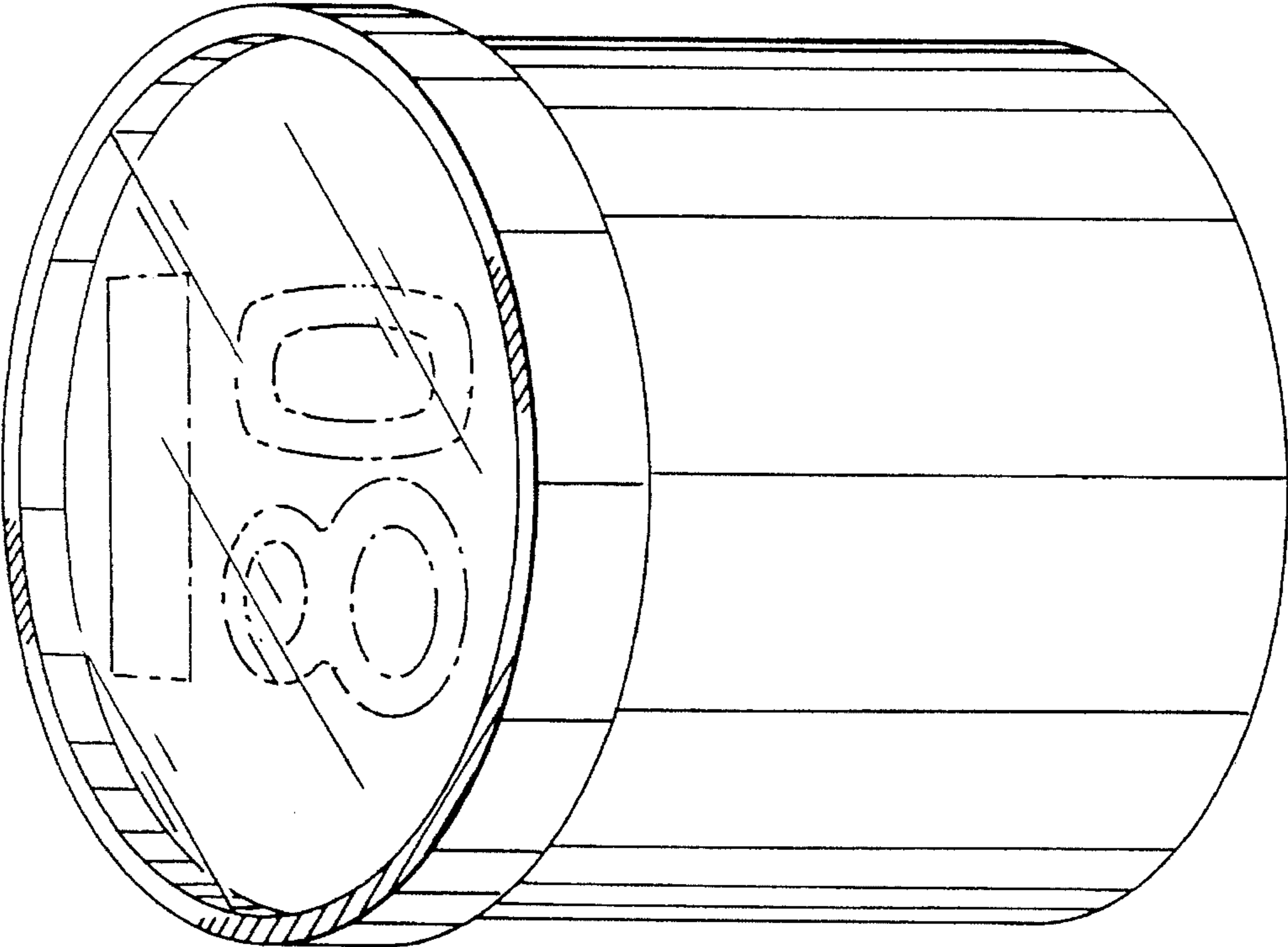


FIG. 1