



US00D367235S

**United States Patent** [19]  
**D'Orazio et al.**

[11] **Patent Number: Des. 367,235**  
[45] **Date of Patent: \*\*Feb. 20, 1996**

- [54] **SOLID STATE PLANAR SENSOR**
- [75] Inventors: **Paul A. D'Orazio**, Mendon; **James E. Flaherty**, Attleboro, both of Mass.
- [73] Assignee: **Ciba Corning Diagnostics Corp.**, Medfield, Mass.
- [\*\*] Term: **14 Years**
- [21] Appl. No.: **25,128**
- [22] Filed: **Jun. 27, 1994**
- [52] U.S. Cl. .... **D10/81; D10/46**
- [58] Field of Search ..... **D10/46, 81; D15/124; 204/400, 406, 407, 415, 412, 418, 403, 153.12; 435/179, 29, 817, 182, 288, 291; 128/635**

- 4,419,191 12/1983 Weber et al. .... 204/400 X
- 5,064,618 11/1991 Baker et al. .... 204/400 X

*Primary Examiner*—Antoine Duval Davis  
*Attorney, Agent, or Firm*—Nicholas I. Slepchuk, Jr.; Arthur S. Morgenstern; Judith A. Roesler

[57] **CLAIM**

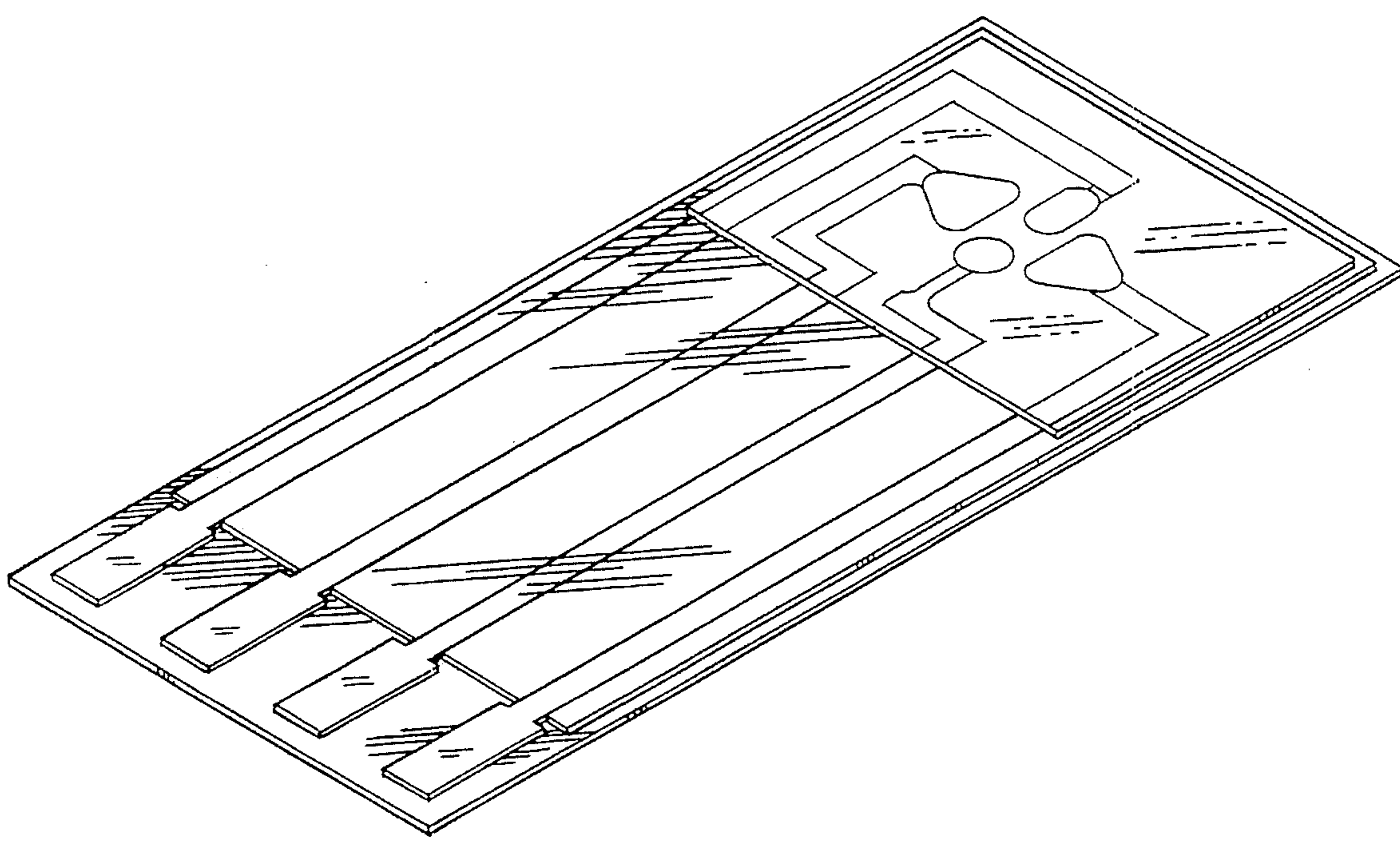
The ornamental design for a solid state planar sensor, as shown and described.

**DESCRIPTION**

FIG. 1 is a perspective view of a solid state planar sensor showing our new design;  
FIG. 2 is a top plan view;  
FIG. 3 is a bottom plan view;  
FIG. 4 is a front view;  
FIG. 5 is a rear view; and,  
FIG. 6 is a side view, the opposite side view being a mirror image.

- [56] **References Cited**
- U.S. PATENT DOCUMENTS
- 4,354,308 10/1982 Shimada et al. .... 204/400 X

**1 Claim, 3 Drawing Sheets**



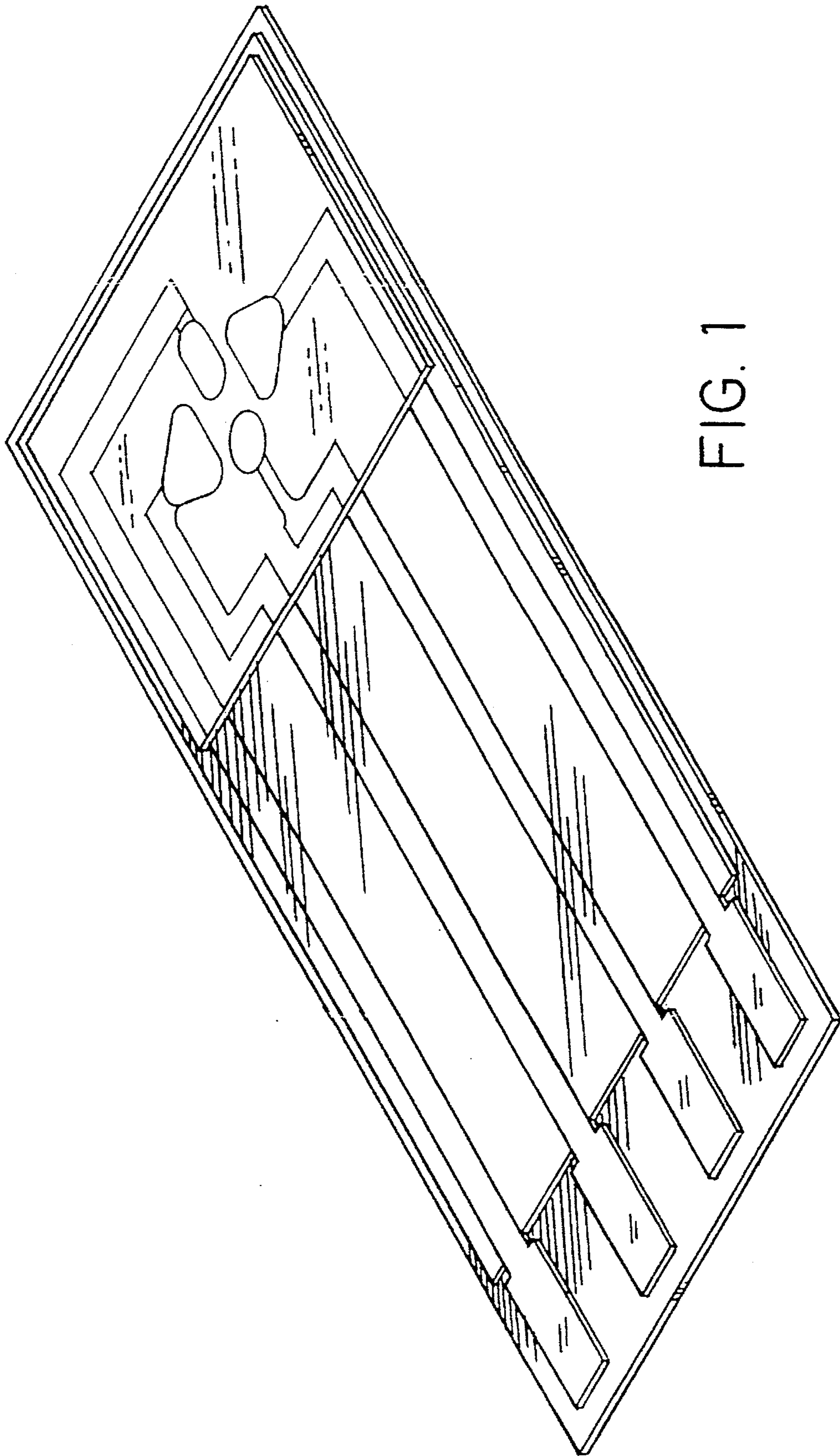


FIG. 1

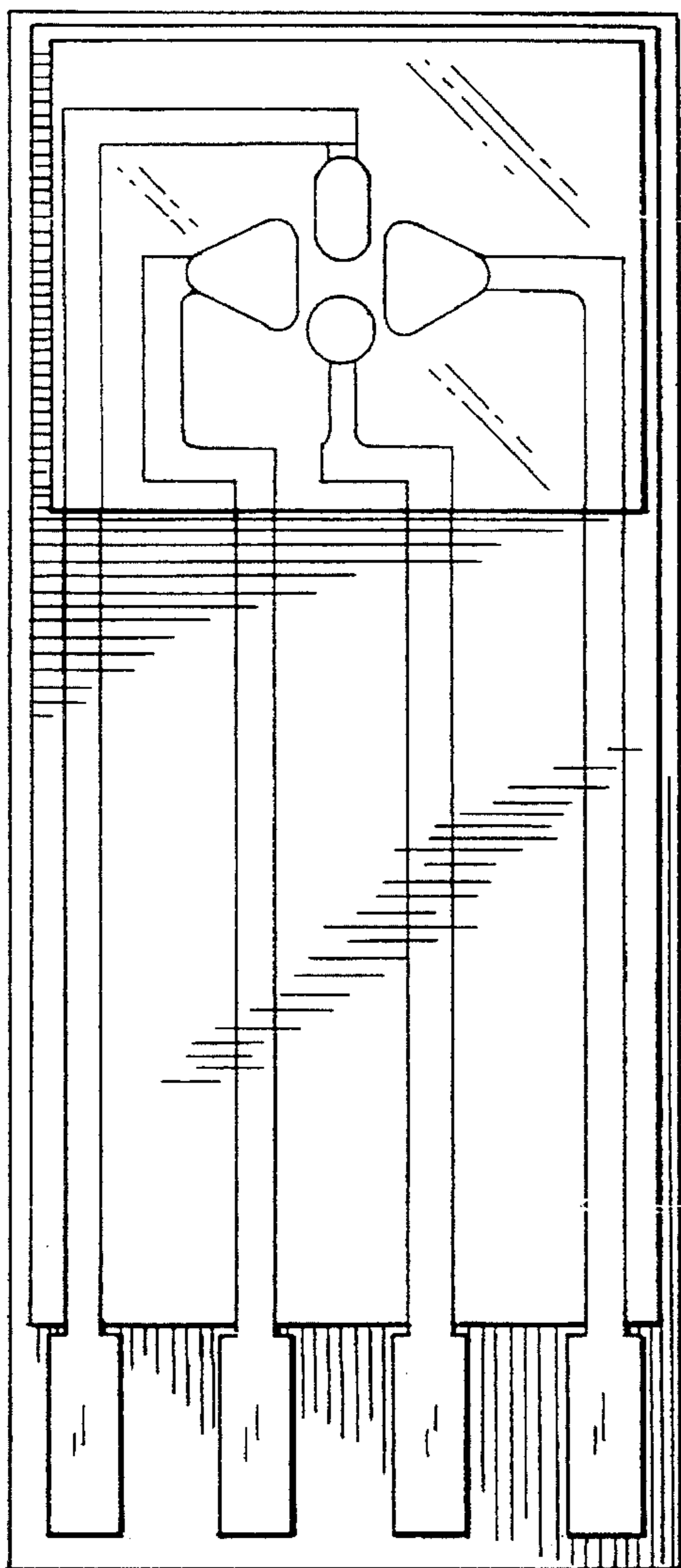


FIG. 2

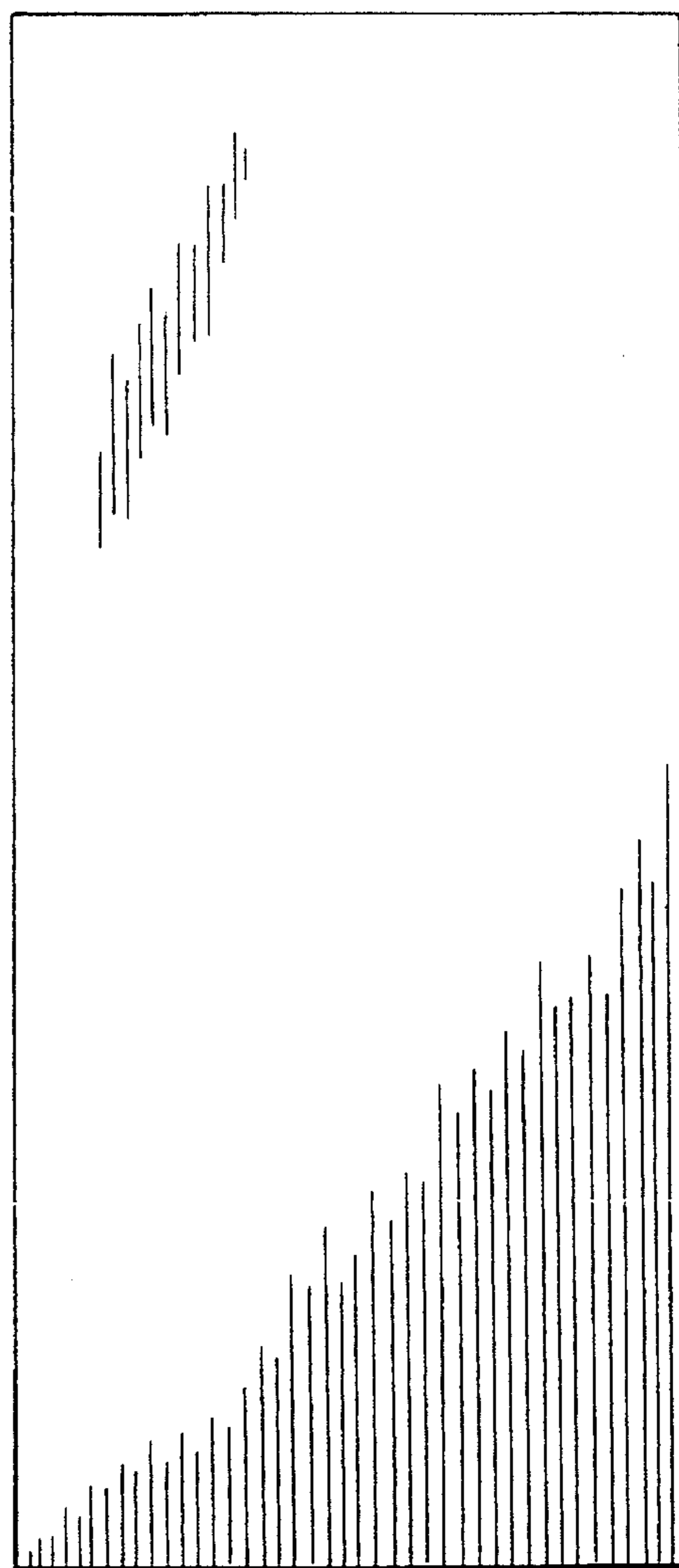


FIG. 3

FIG. 4

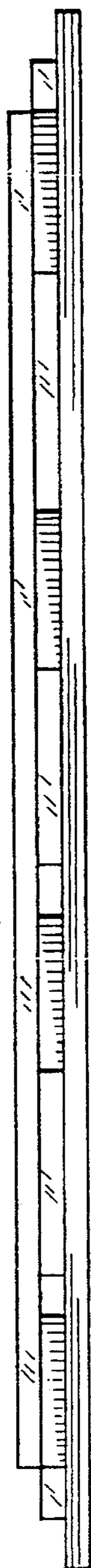


FIG. 5



FIG. 6

