



US00D367228S

United States Patent [19]

[11] Patent Number: Des. 367,228

Woods

[45] Date of Patent: **Feb. 20, 1996

[54] **THREE-POSITION ADJUSTABLE NOZZLE FOR A SPRAY CONTAINER**

3,982,698 9/1976 Anderson 239/394

[76] Inventor: **John Woods**, 4540 Willens Ave., Woodland Hills, Calif. 91364

Primary Examiner—A. Hugo Word
Assistant Examiner—Robin V. Taylor
Attorney, Agent, or Firm—Roger A. Marrs

[**] Term: **14 Years**

[57] **CLAIM**

[21] Appl. No.: **35,135**

The ornamental design for three-position adjustable nozzle for a spray container, as shown and described.

[22] Filed: **Feb. 21, 1995**

DESCRIPTION

[52] U.S. Cl. **D9/448**; D23/213

[58] **Field of Search** D23/213, 223-229; 239/302, 310, 315-317, 373, 394, 414-415, 460, 390-391, 380-383; D9/448

FIG. 1 is a front perspective view showing my new design for a three-position adjustable nozzle for a spray container; FIG. 2 is a rear perspective view thereof; FIG. 3 is a side elevational view thereof, the other side being a mirror image; FIG. 4 is a top plan view thereof; FIG. 5 is a bottom view thereof; FIG. 6 is a front elevational view thereof; and, FIG. 7 is a rear elevational view thereof.

[56] **References Cited**

U.S. PATENT DOCUMENTS

D. 218,824	9/1970	Lawrence et al.	D23/213
578,706	3/1897	Adams	239/394
2,388,093	10/1945	Smith	239/394
3,377,028	4/1968	Bruggeman	239/394
3,814,326	6/1974	Bartlett	239/394

1 Claim, 1 Drawing Sheet

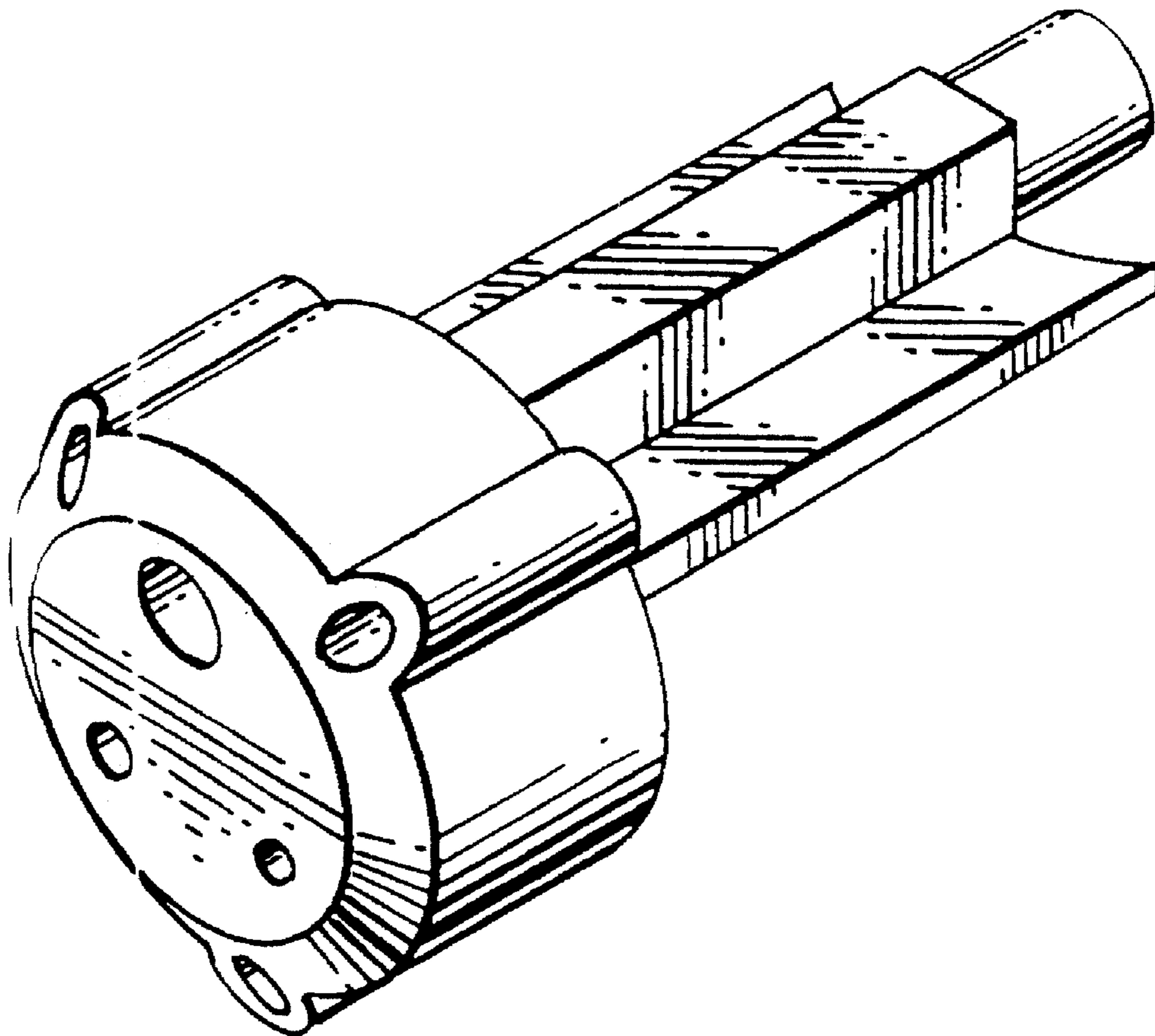


FIG. 1

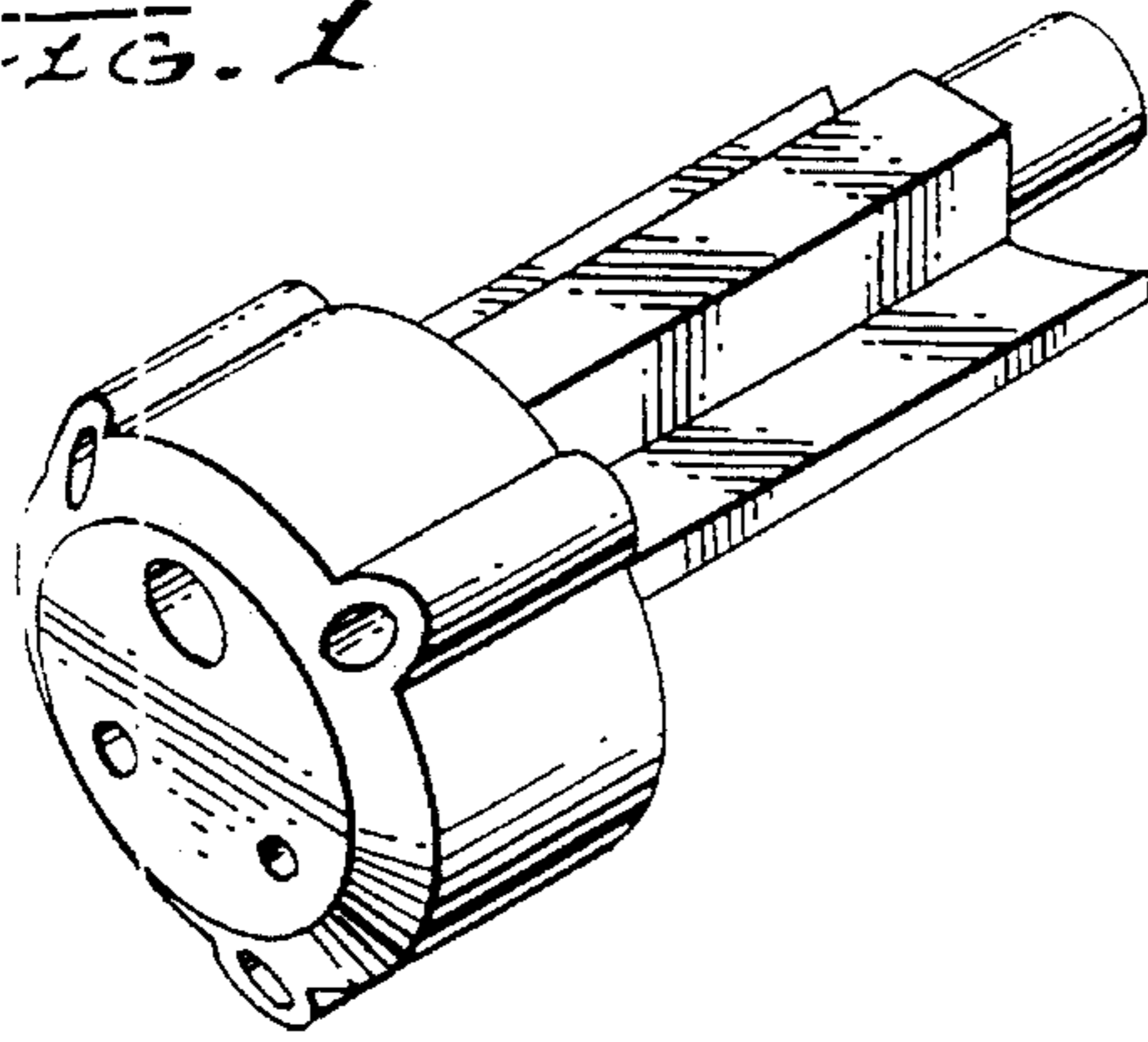


FIG. 2

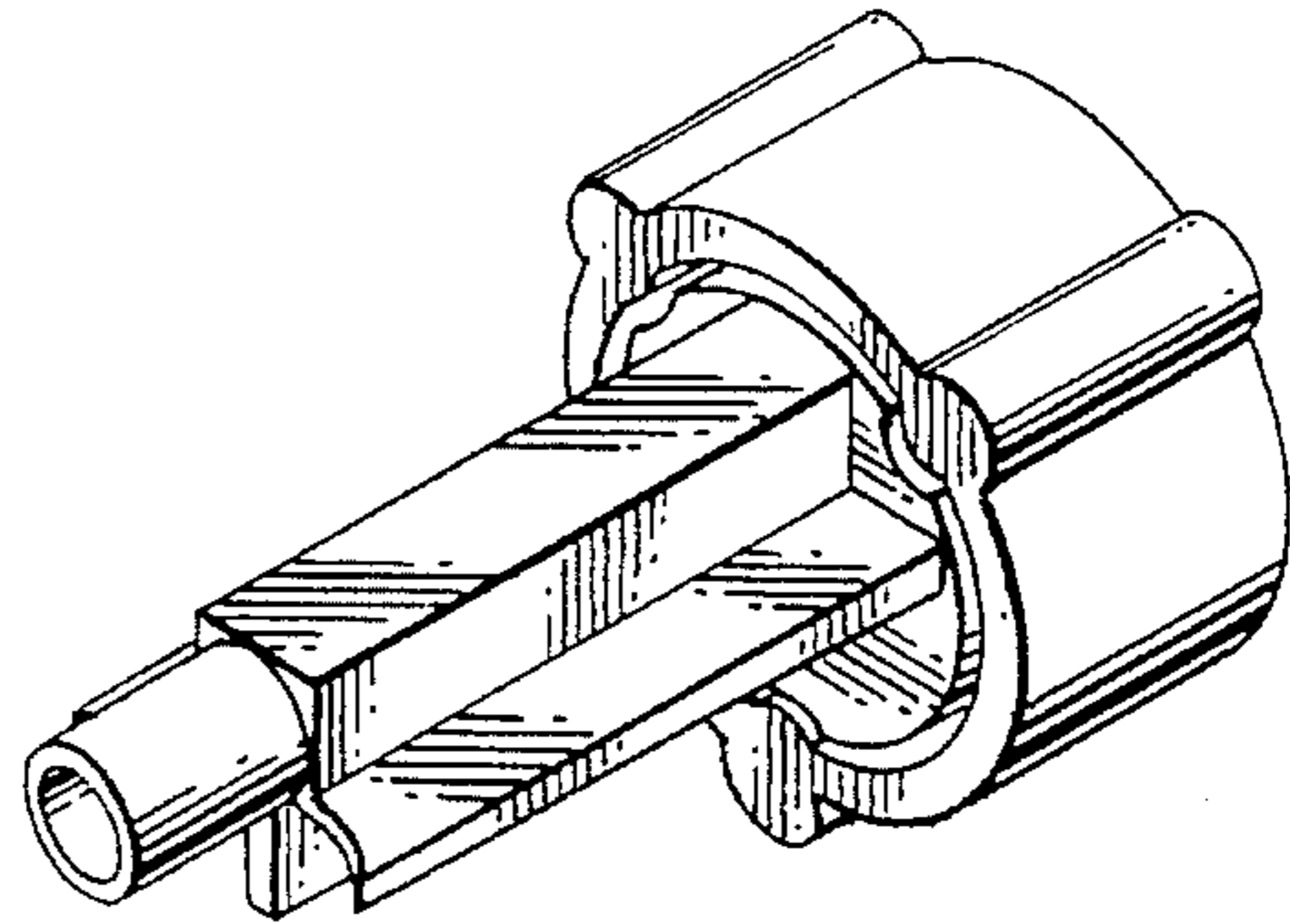


FIG. 3

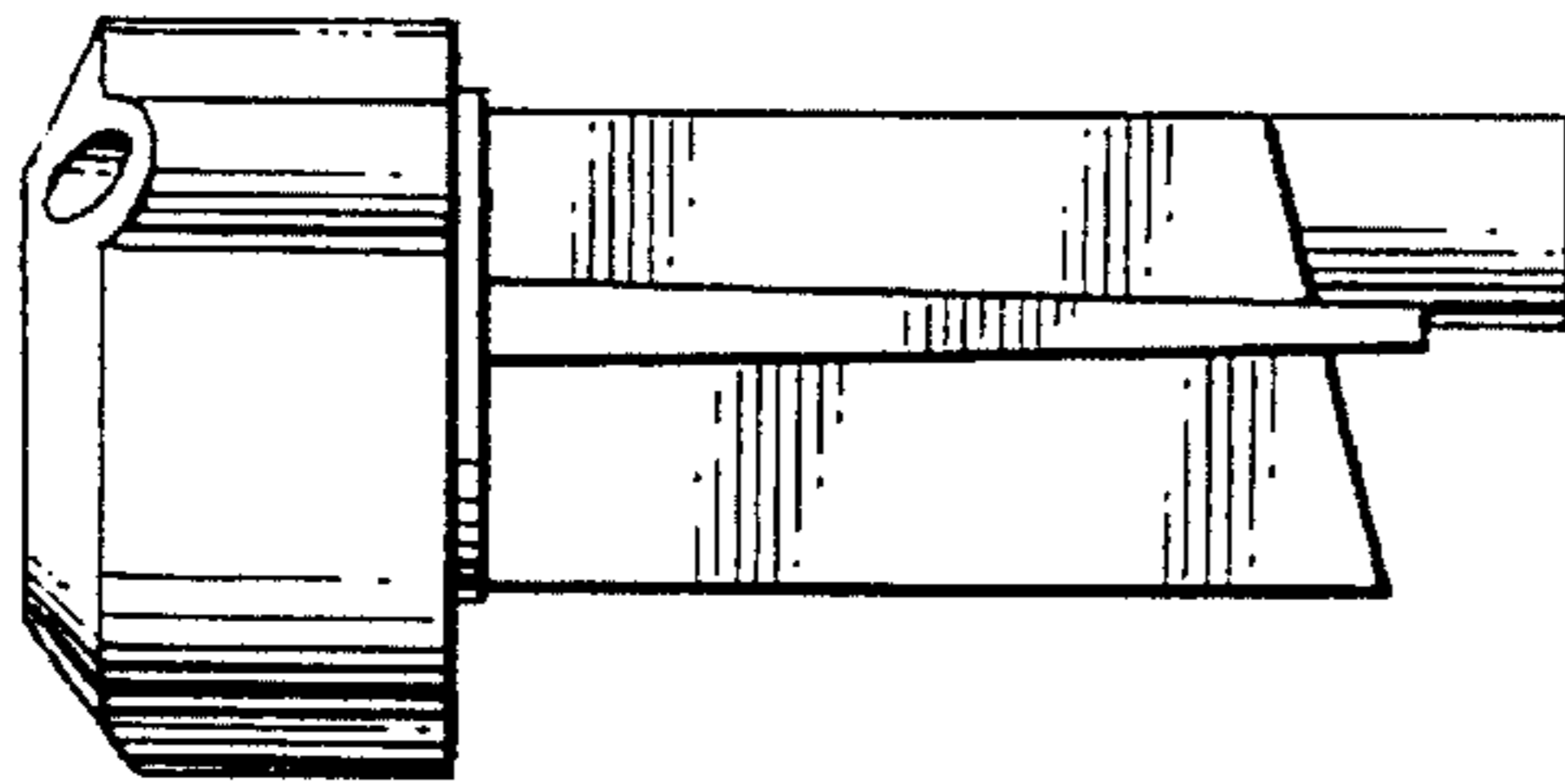


FIG. 6

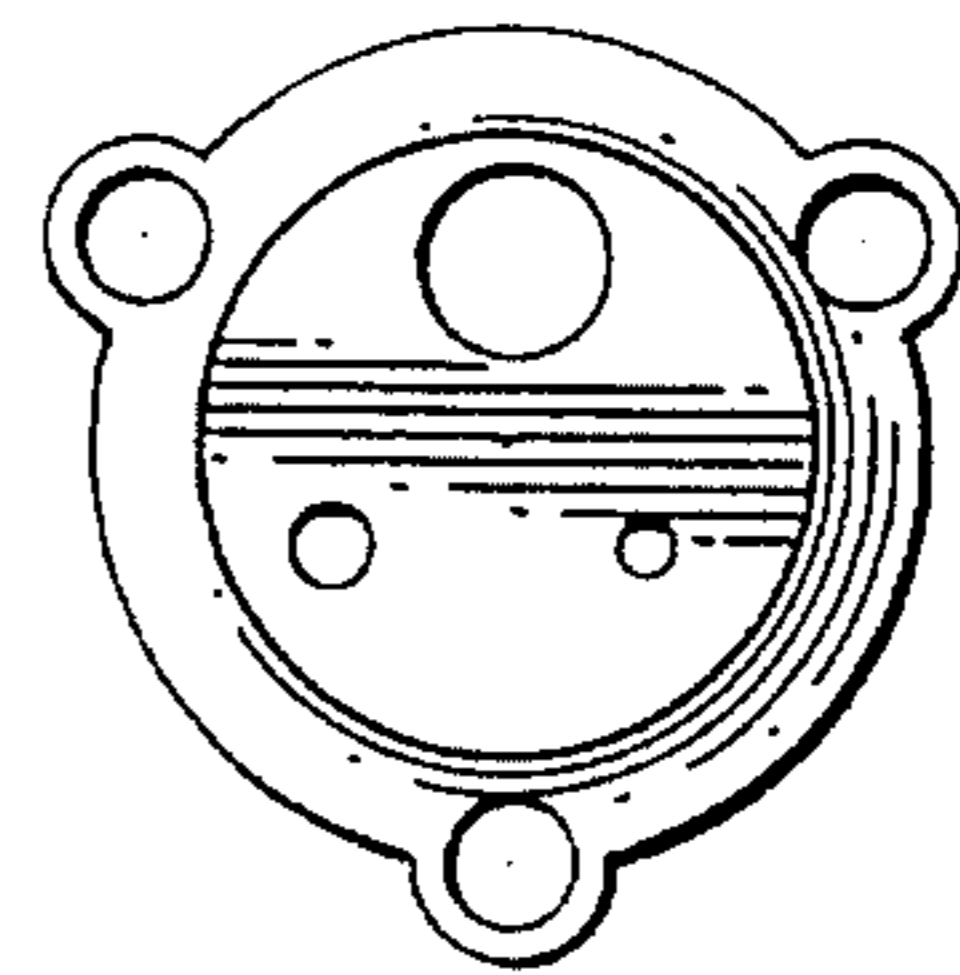


FIG. 4

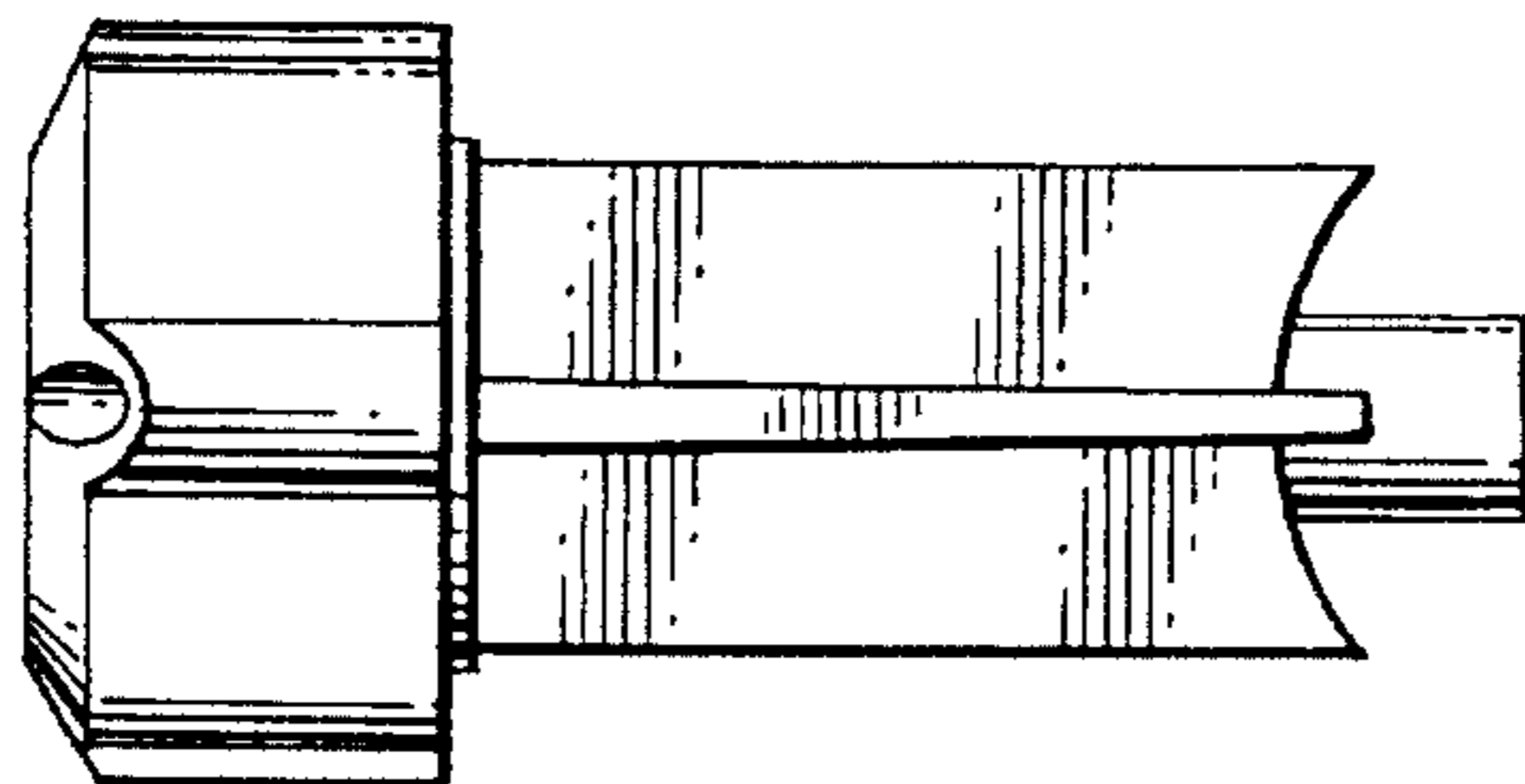
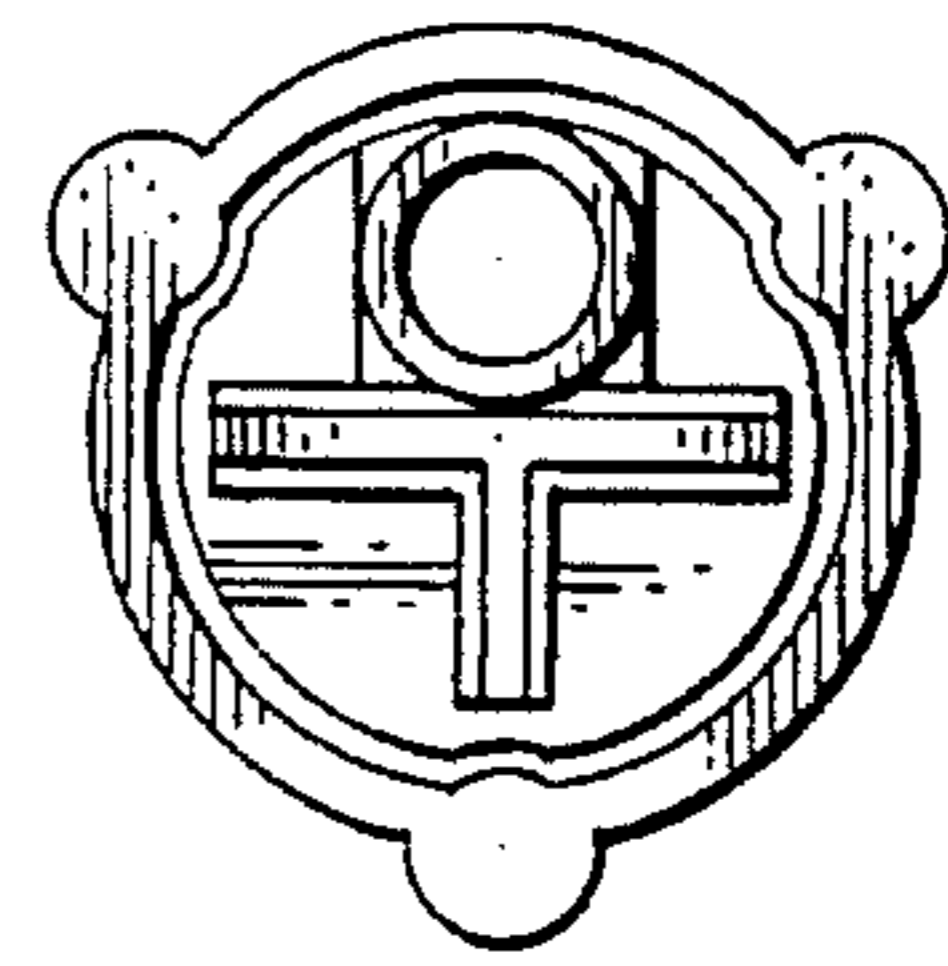
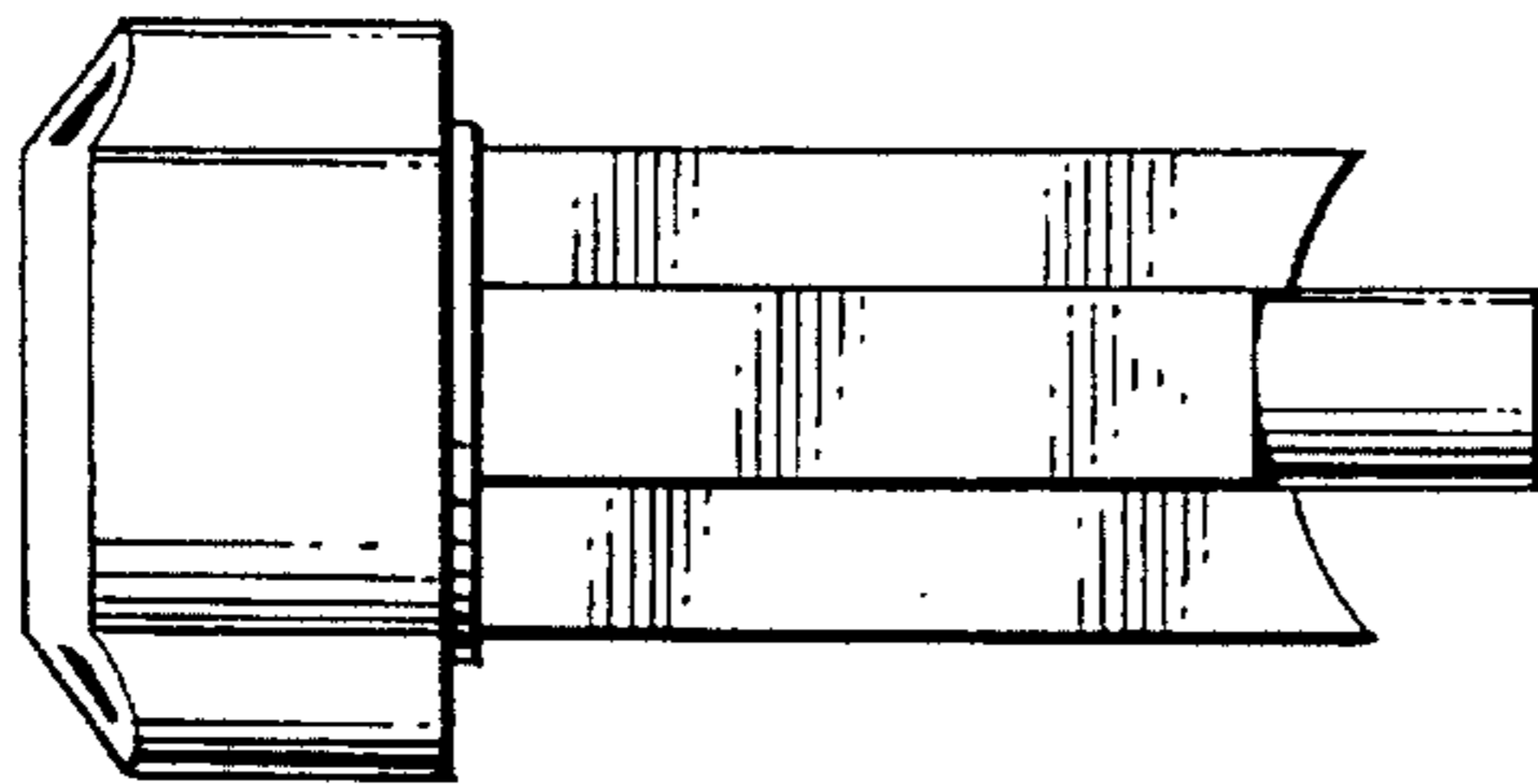


FIG. 7

FIG. 5