



US00D367227S

**United States Patent** [19]  
**Landy**

[11] **Patent Number: Des. 367,227**

[45] **Date of Patent: \*\*Feb. 20, 1996**

[54] **WATER BOTTLE CAP**

[76] Inventor: **Graeme V. Landy**, 32 Austin St.,  
Newtown, Victoria 3220, Australia

[\*\*] Term: **14 Years**

[21] Appl. No.: **24,865**

[22] Filed: **Jun. 22, 1994**

[30] **Foreign Application Priority Data**

Dec. 30, 1993 [AU] Australia ..... 4059/93

[52] **U.S. Cl.** ..... **D9/447**

[58] **Field of Search** ..... D9/434-436, 440,  
D9/443-449, 454, 338; 220/337-338, 375,  
915; 222/190, 402.1, 402.23, 481, 631

[56] **References Cited**

**U.S. PATENT DOCUMENTS**

- D. 160,097 9/1950 Lodes ..... D9/448
- D. 166,537 4/1952 Harris ..... D9/448
- D. 203,895 2/1966 Klun ..... D9/436
- D. 205,739 9/1966 Charles ..... D9/448
- D. 206,968 2/1967 Pizzurro ..... D9/448
- D. 255,426 6/1980 Kaufman et al. .... D9/436
- D. 279,866 7/1985 Czech ..... D9/448

- D. 305,501 1/1990 Hundertmark et al. .... D9/448
- D. 309,435 7/1990 Sharman et al. .... D9/434
- D. 338,830 8/1993 Leoncavallo et al. .... D9/447
- 3,143,254 8/1964 Vanderhyde ..... D9/448 X
- 4,353,483 10/1982 Pehr ..... 220/306

**FOREIGN PATENT DOCUMENTS**

1035210 10/1953 France ..... 215/1 A

*Primary Examiner*—Alan P. Douglas  
*Assistant Examiner*—Robert M. Spear  
*Attorney, Agent, or Firm*—Gray Cary Ware & Freidenrich

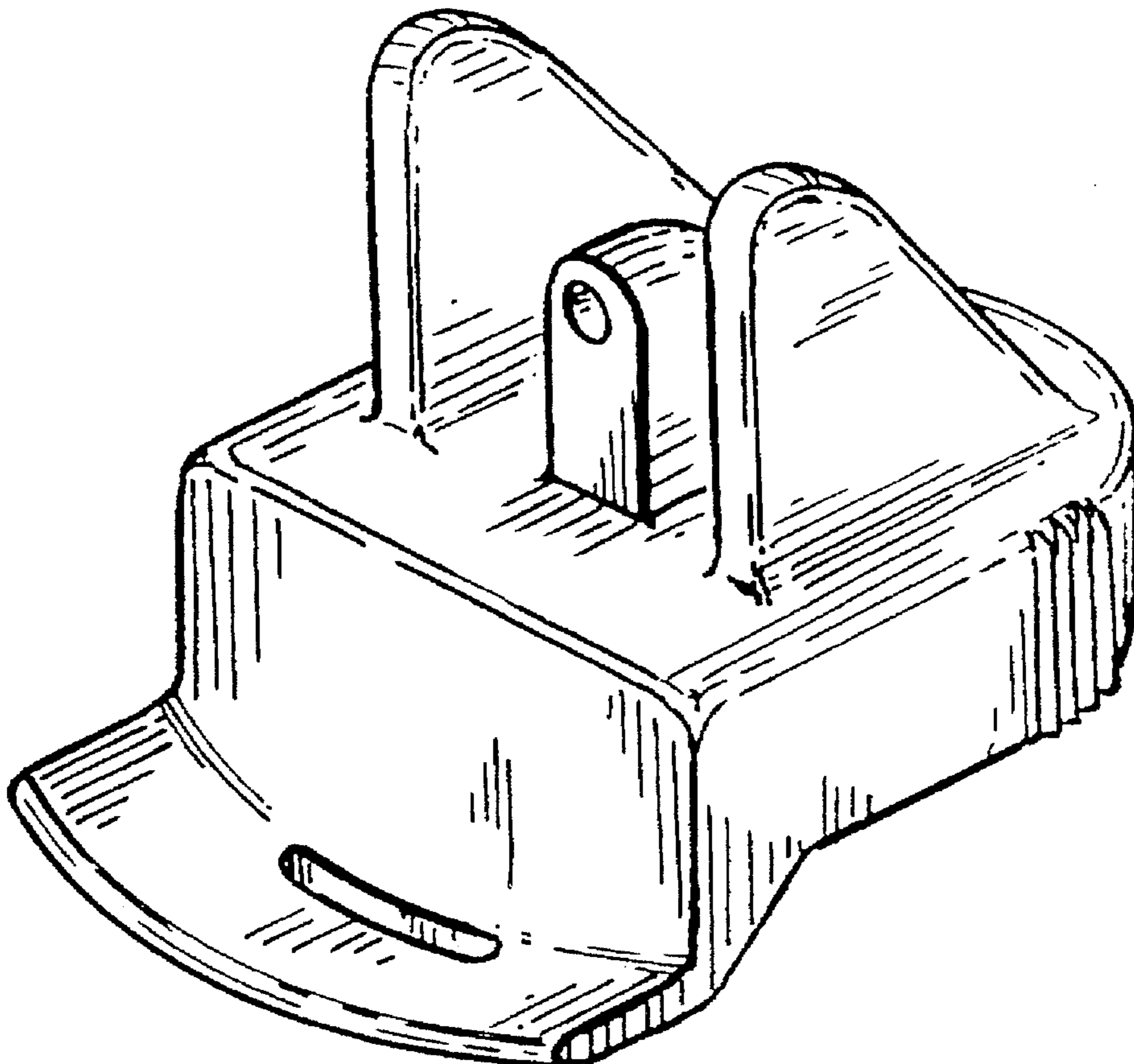
[57] **CLAIM**

The ornamental design for a water bottle cap, as shown and described.

**DESCRIPTION**

FIG. 1 is a side, right front perspective view of a water bottle cap showing my new design;  
FIG. 2 is a side view thereof;  
FIG. 3 is a front view thereof;  
FIG. 4 is a top plan view thereof;  
FIG. 5 is a rear view thereof; and,  
FIG. 6 is a bottom plan view thereof.

**1 Claim, 1 Drawing Sheet**



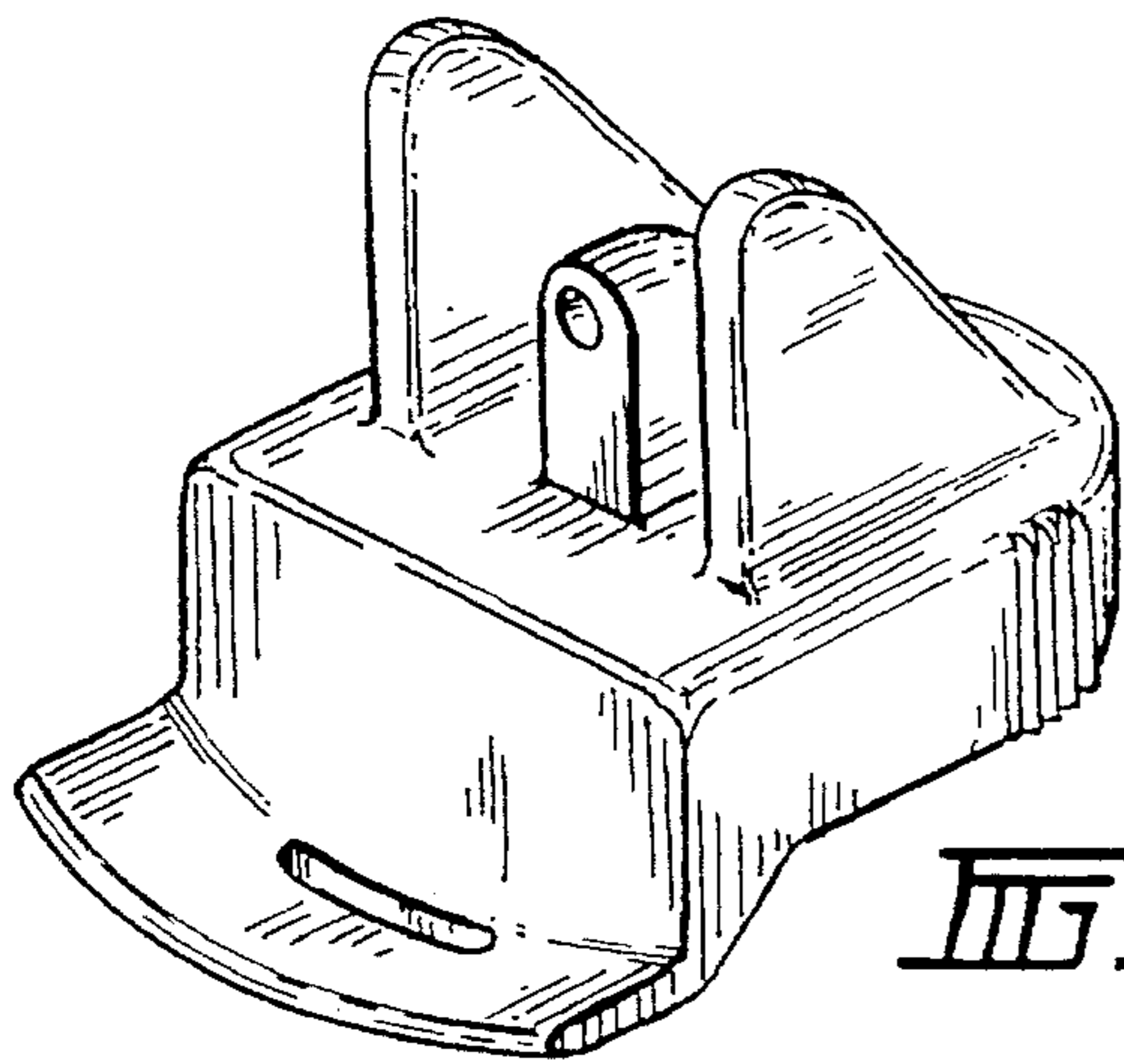


FIG. 1.

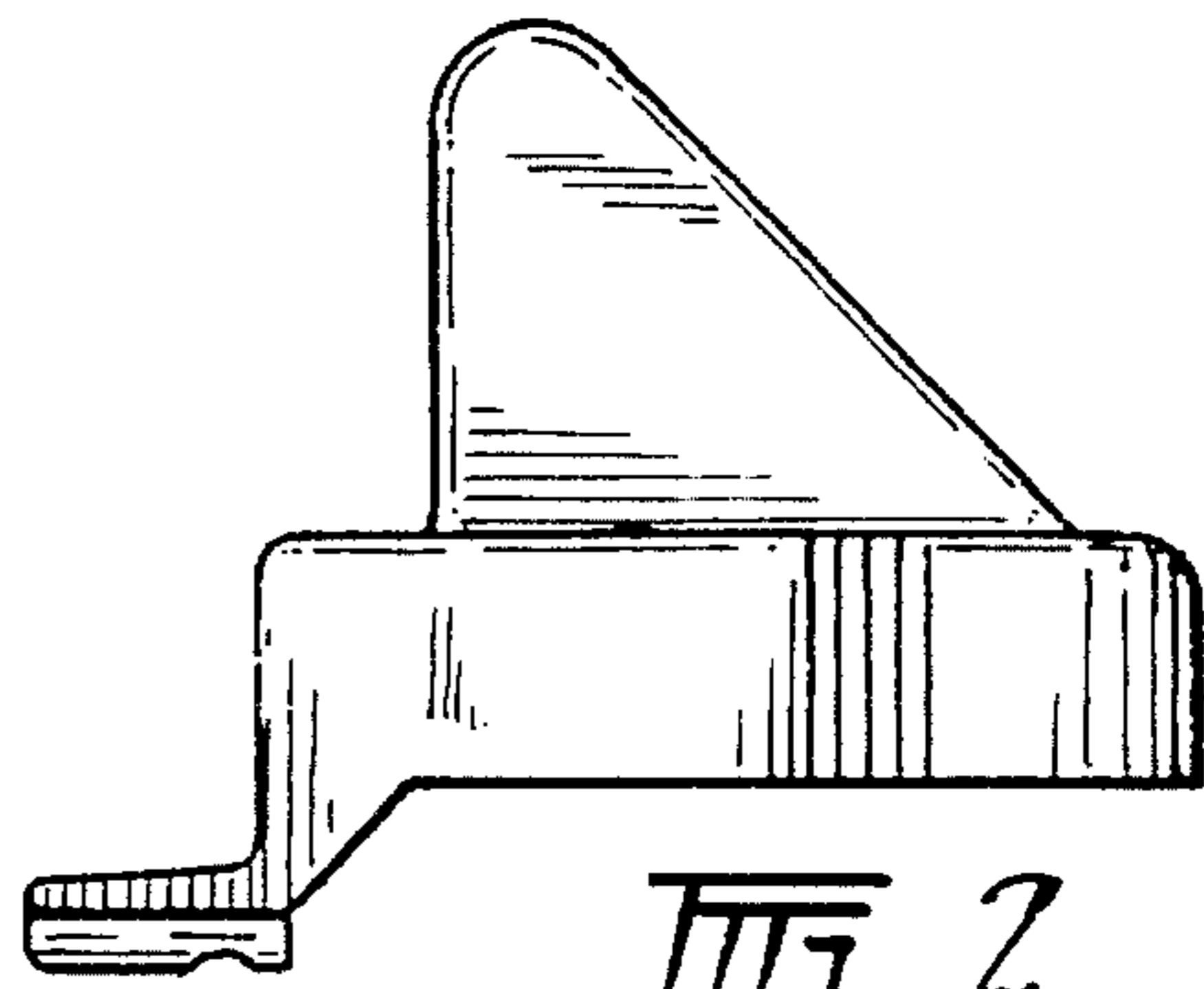


FIG. 2.

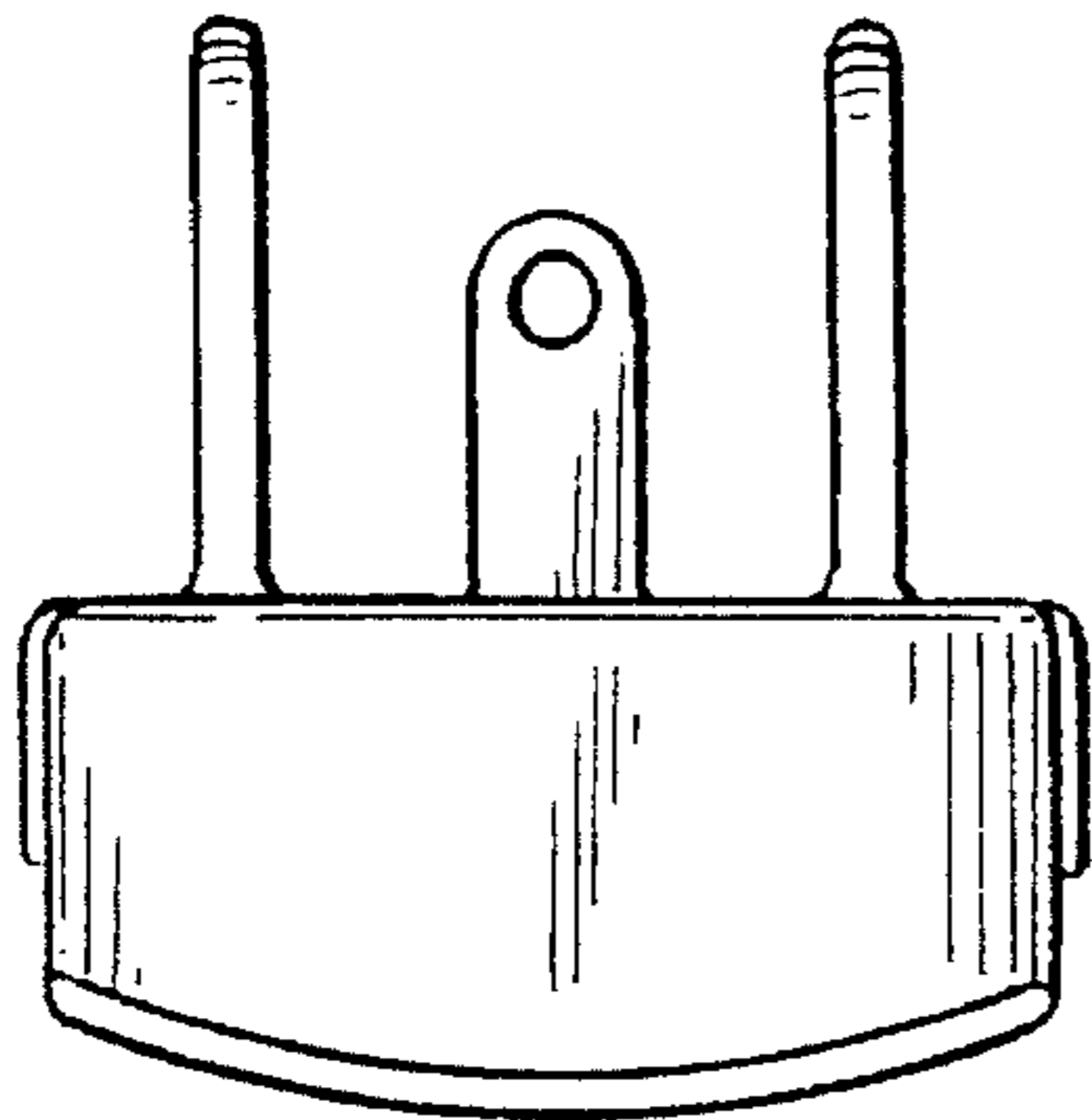


FIG. 3.

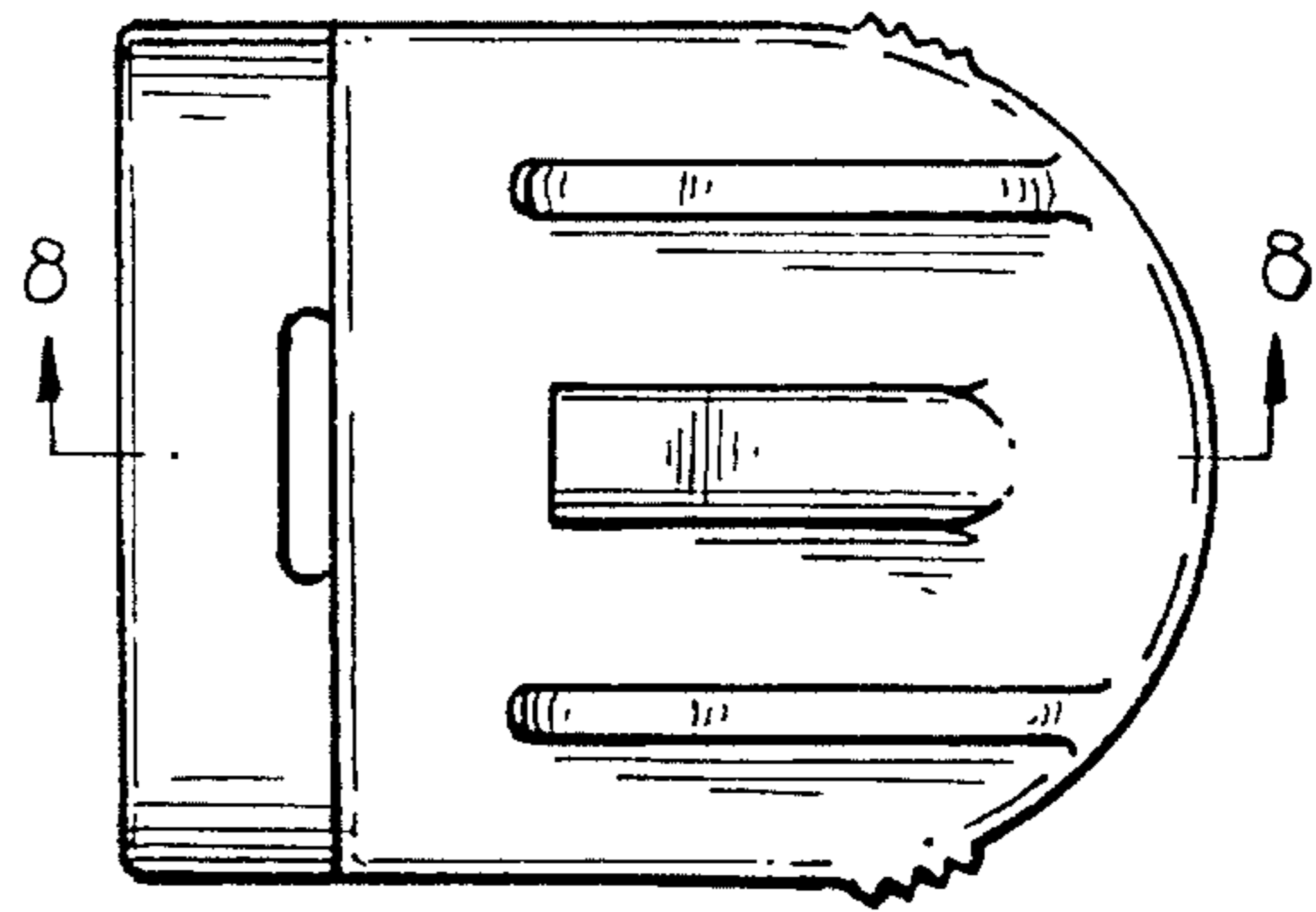


FIG. 4.

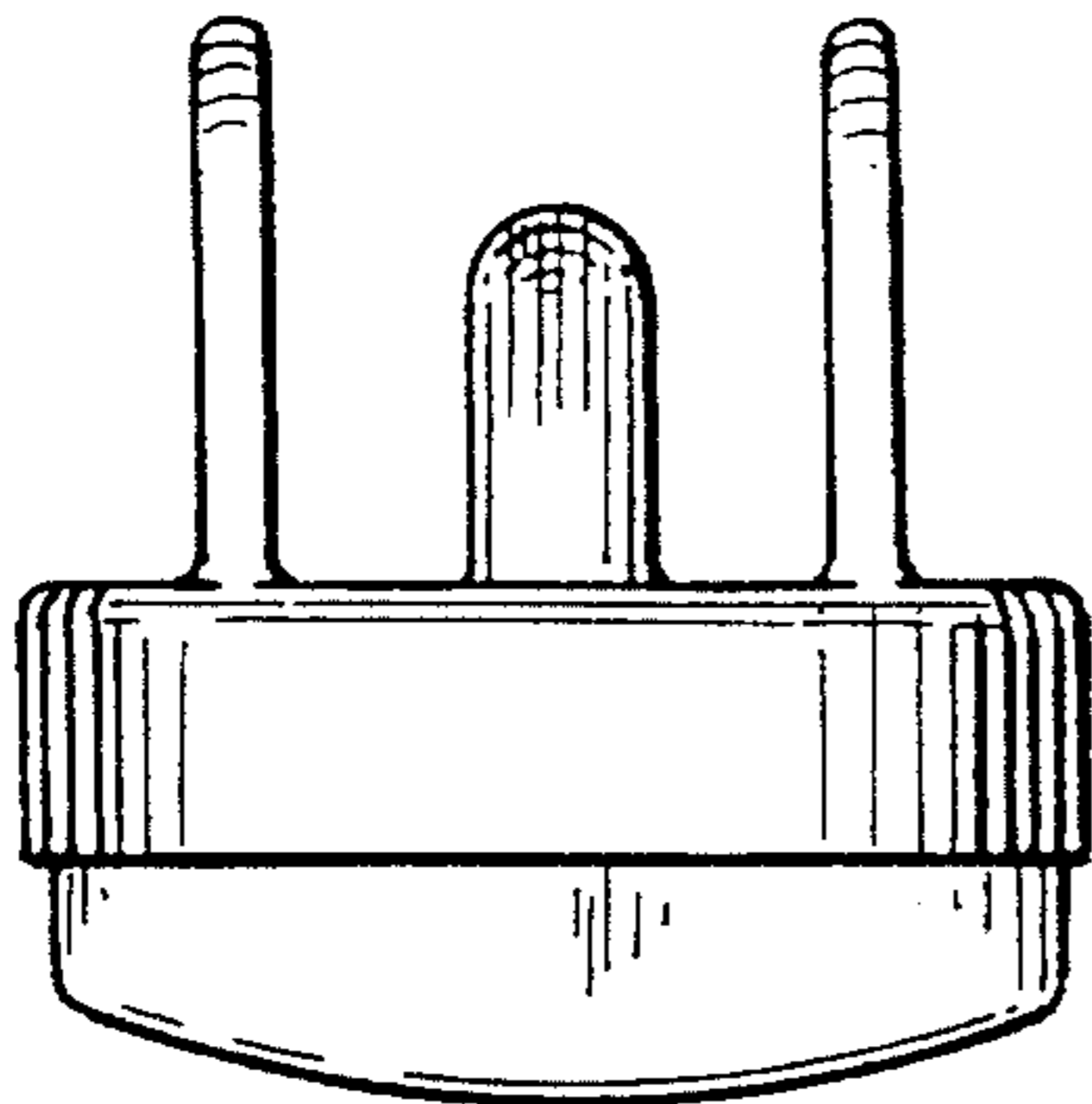


FIG. 5.

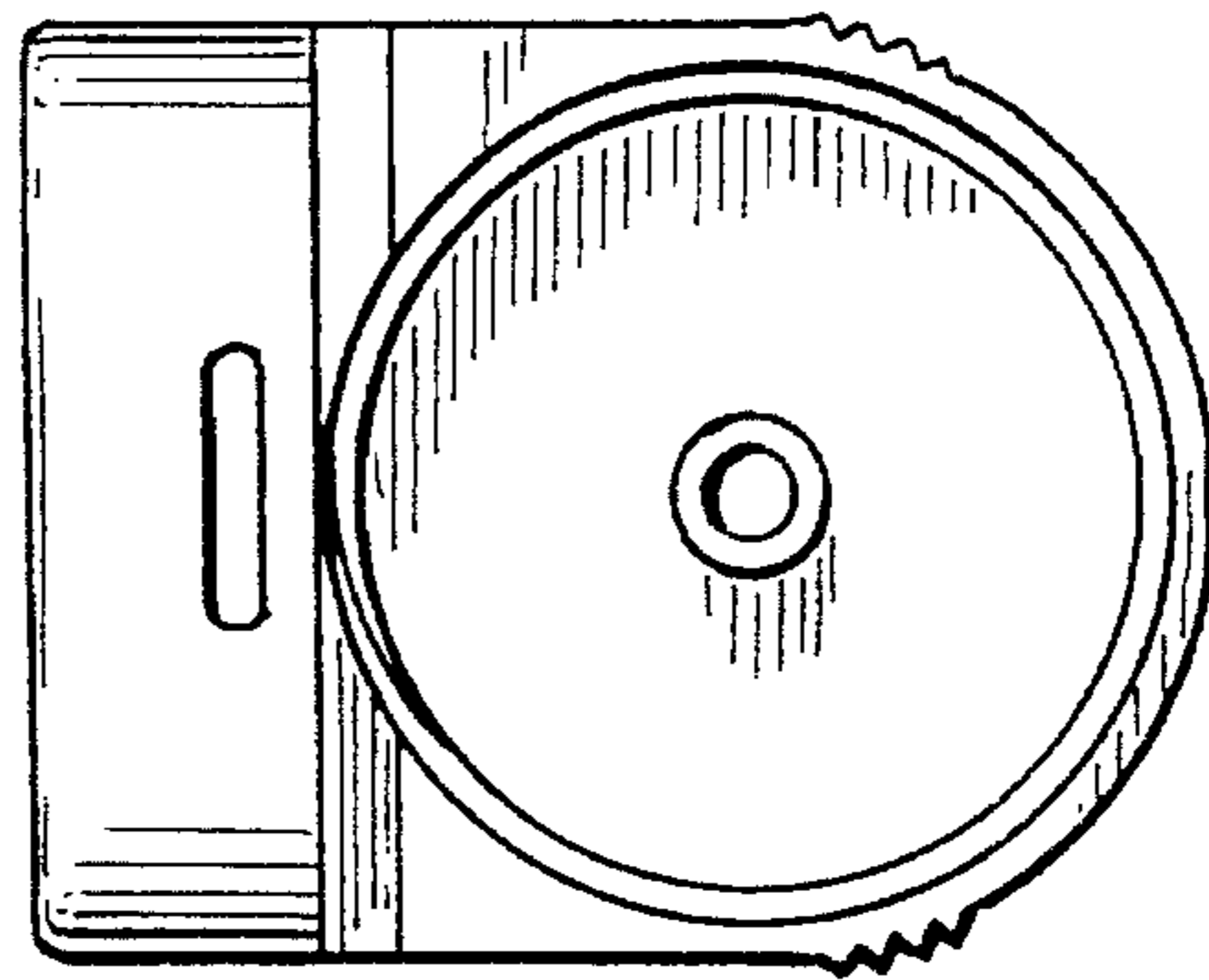


FIG. 6.

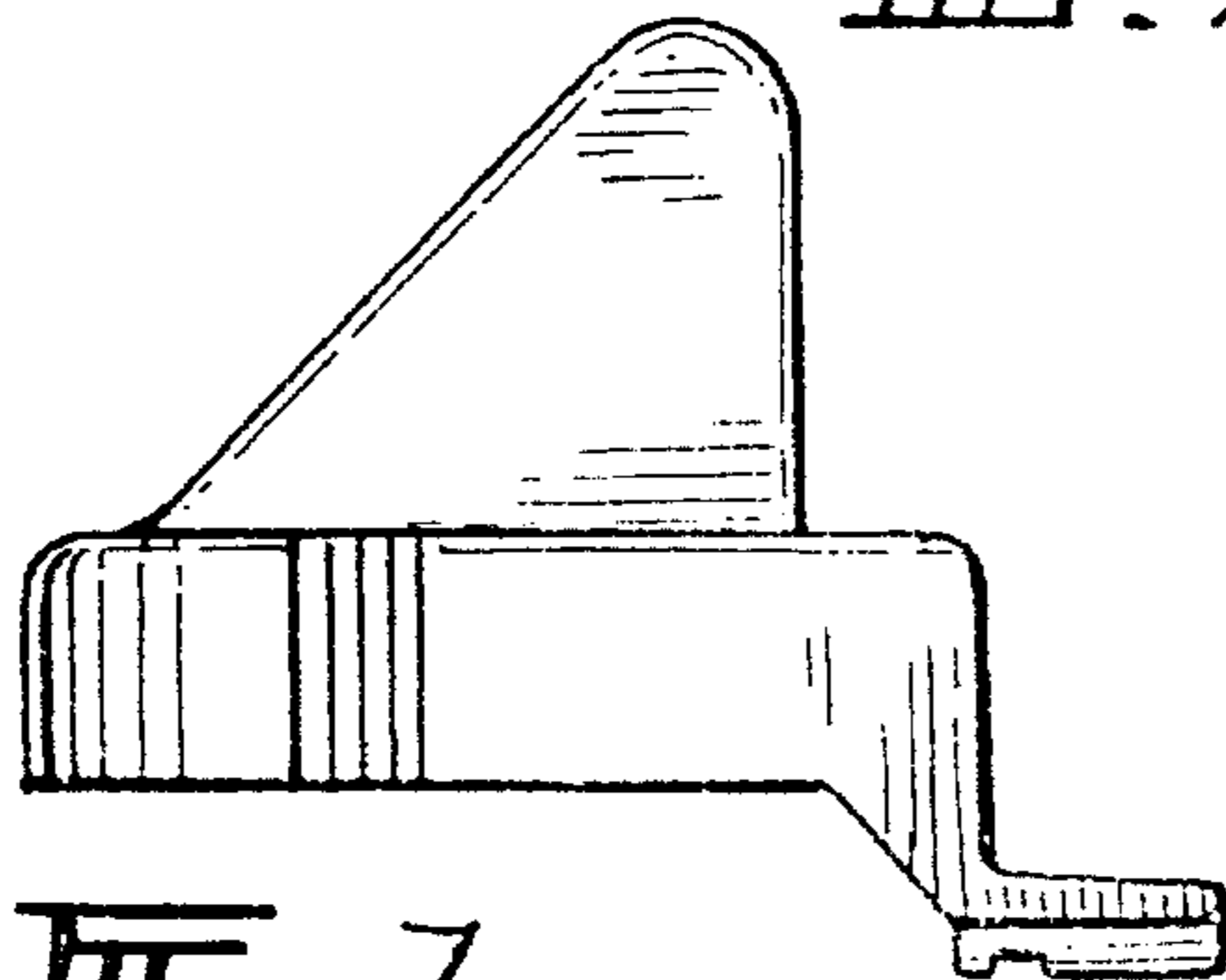


FIG. 7.

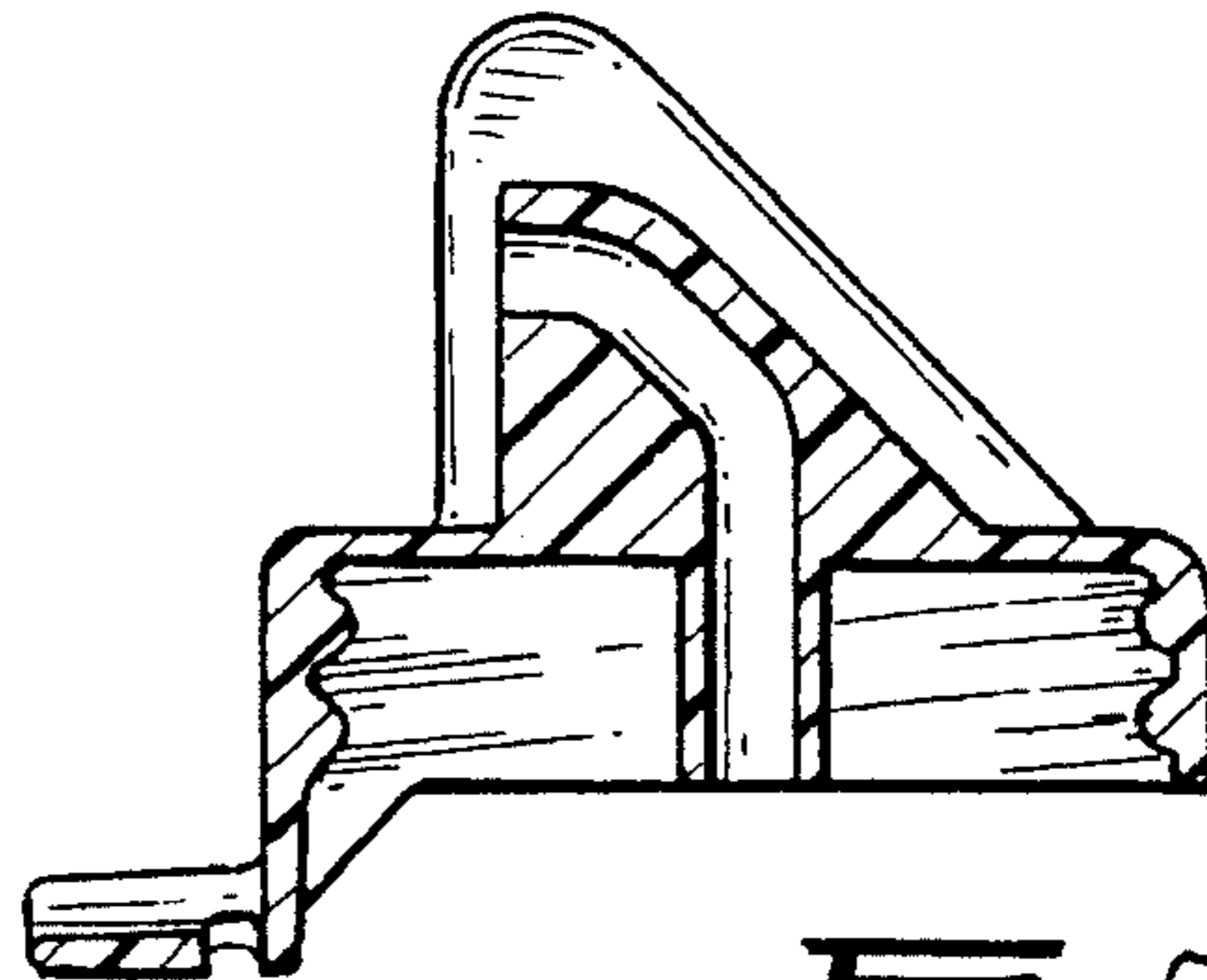


FIG. 8.