



US00D367222S

# United States Patent [19]

[11] Patent Number: **Des. 367,222**

**Ikeda**

[45] Date of Patent: **\*\*Feb. 20, 1996**

[54] **STRAP FASTENER**

[75] Inventor: **Yasuhiko Ikeda**, Toyonaka, Japan

[73] Assignee: **NIFCO Inc.**, Yokohama, Japan

[\*\*] Term: **14 Years**

[21] Appl. No.: **31,188**

[22] Filed: **Nov. 10, 1994**

[30] **Foreign Application Priority Data**

May 12, 1994 [JP] Japan ..... 6-13193

[52] **U.S. Cl.** ..... **D8/383**

[58] **Field of Search** ..... D8/383, 356; 24/136 A,  
24/136 R, 115 H, 115 G, 115 R; D11/200,  
222, 213, 214, 220

[56] **References Cited**

**U.S. PATENT DOCUMENTS**

D. 251,478	4/1979	Boden	.....	D8/383
D. 251,545	4/1979	Boden	.....	D8/383
D. 310,166	8/1990	Fildan	.....	D8/383
3,953,144	4/1976	Boden	.....	24/136 R X
4,288,891	9/1981	Boden	.....	24/115 G
5,345,657	9/1994	Shimizu	.....	24/115 G

*Primary Examiner*—Ted Shooman

*Assistant Examiner*—Paula Mortimer

*Attorney, Agent, or Firm*—Oblon, Spivak, McClelland,  
Maier & Neustadt

[57] **CLAIM**

The ornamental design for a strap fastener, as shown and described.

**DESCRIPTION**

FIG. 1 is a right top perspective view of a strap fastener

showing my new design;

FIG. 2 is a front elevational view thereof, the rear being symmetrical to the front;

FIG. 3 is a right side elevational view thereof, the left side being symmetrical to the right side;

FIG. 4 is a top plan view thereof;

FIG. 5 is a bottom plan view thereof;

FIG. 6 is a front elevational of a male part thereof, the rear is a mirror image;

FIG. 7 is a right side elevational view thereof, the opposite side is a mirror image;

FIG. 8 is a top plan view thereof;

FIG. 9 is a bottom plan view;

FIG. 10 is a front elevational view of the female part thereof, the rear is a mirror image;

FIG. 11 is a right side elevational view thereof, the opposite side is a mirror image;

FIG. 12 is a top plan view thereof;

FIG. 13 is a bottom plan view thereof; and,

FIG. 14 is a strap fastener in use the broken line showing of the jacket is for illustrative purposes and forms no part of the claimed design.

The male and female parts are shown separately for purposes of illustration.

**1 Claim, 7 Drawing Sheets**

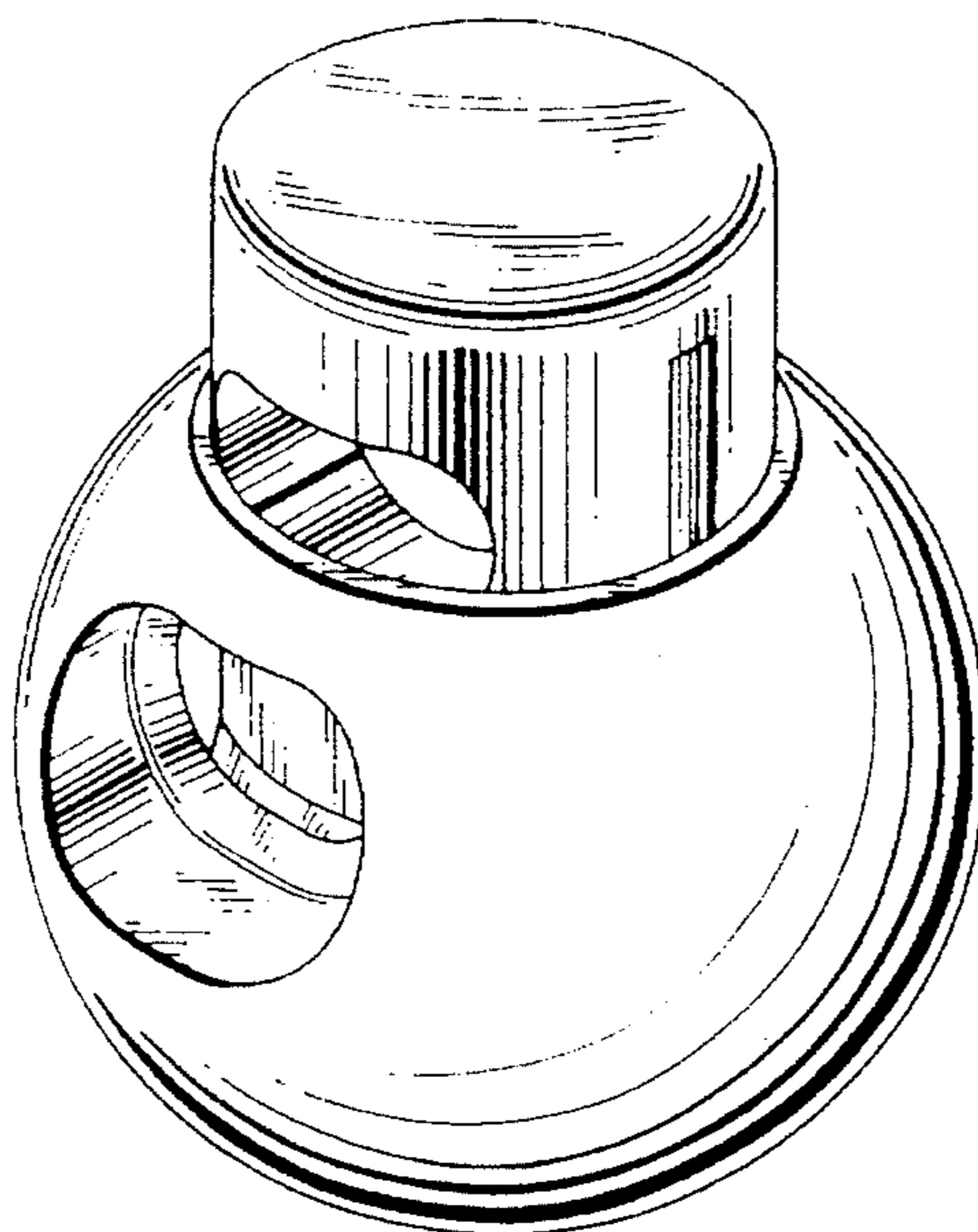


FIG. 1

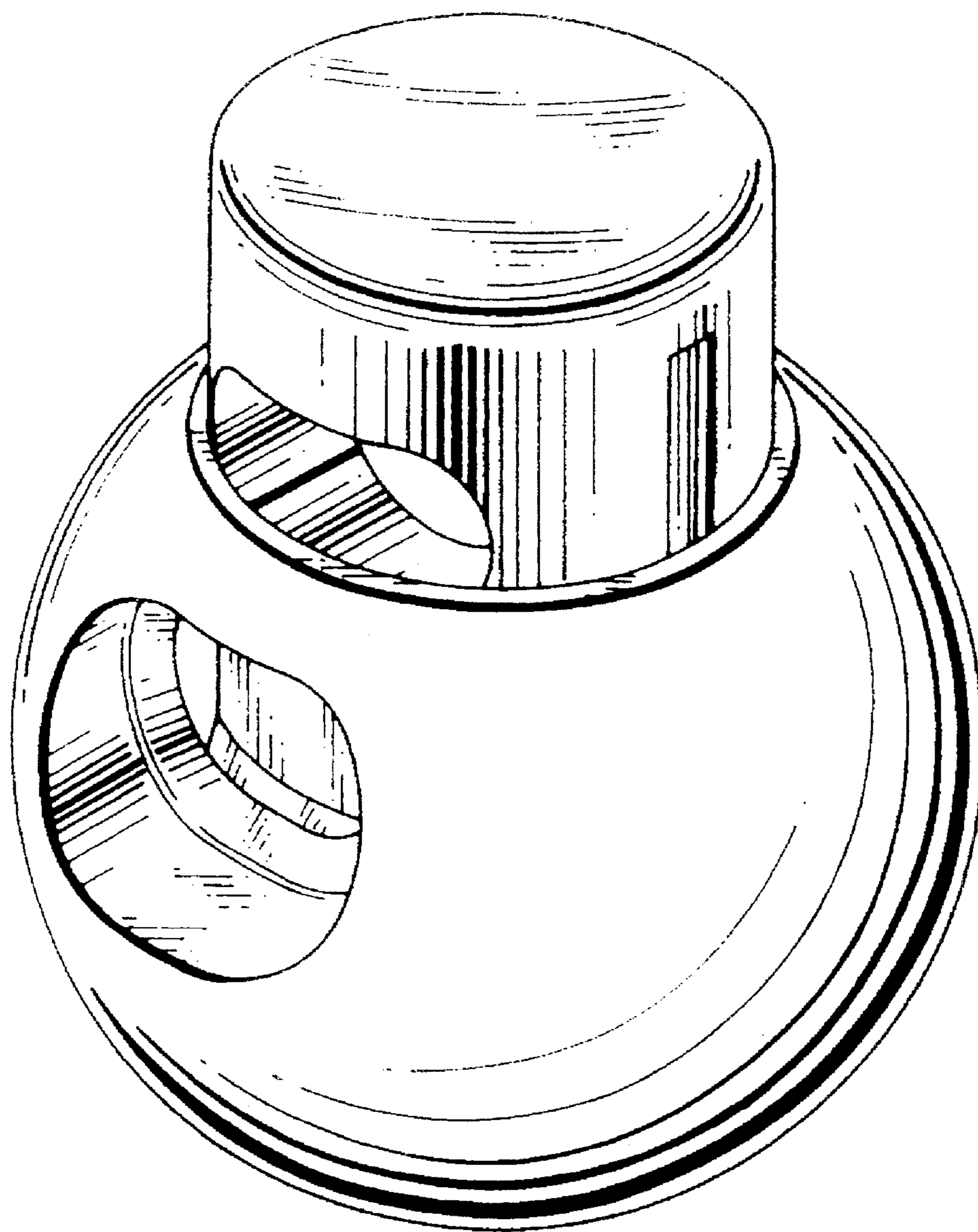


FIG. 2

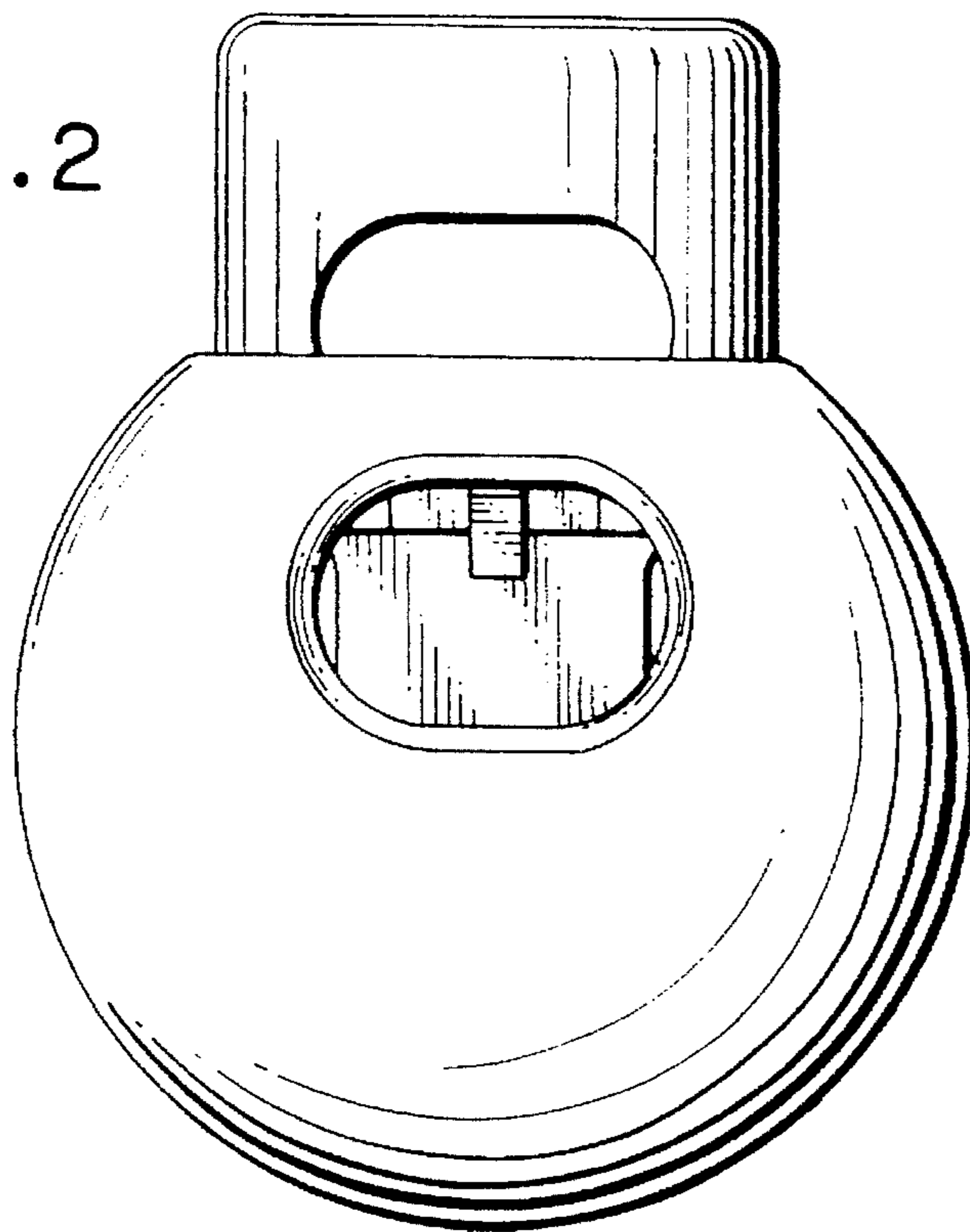


FIG. 3

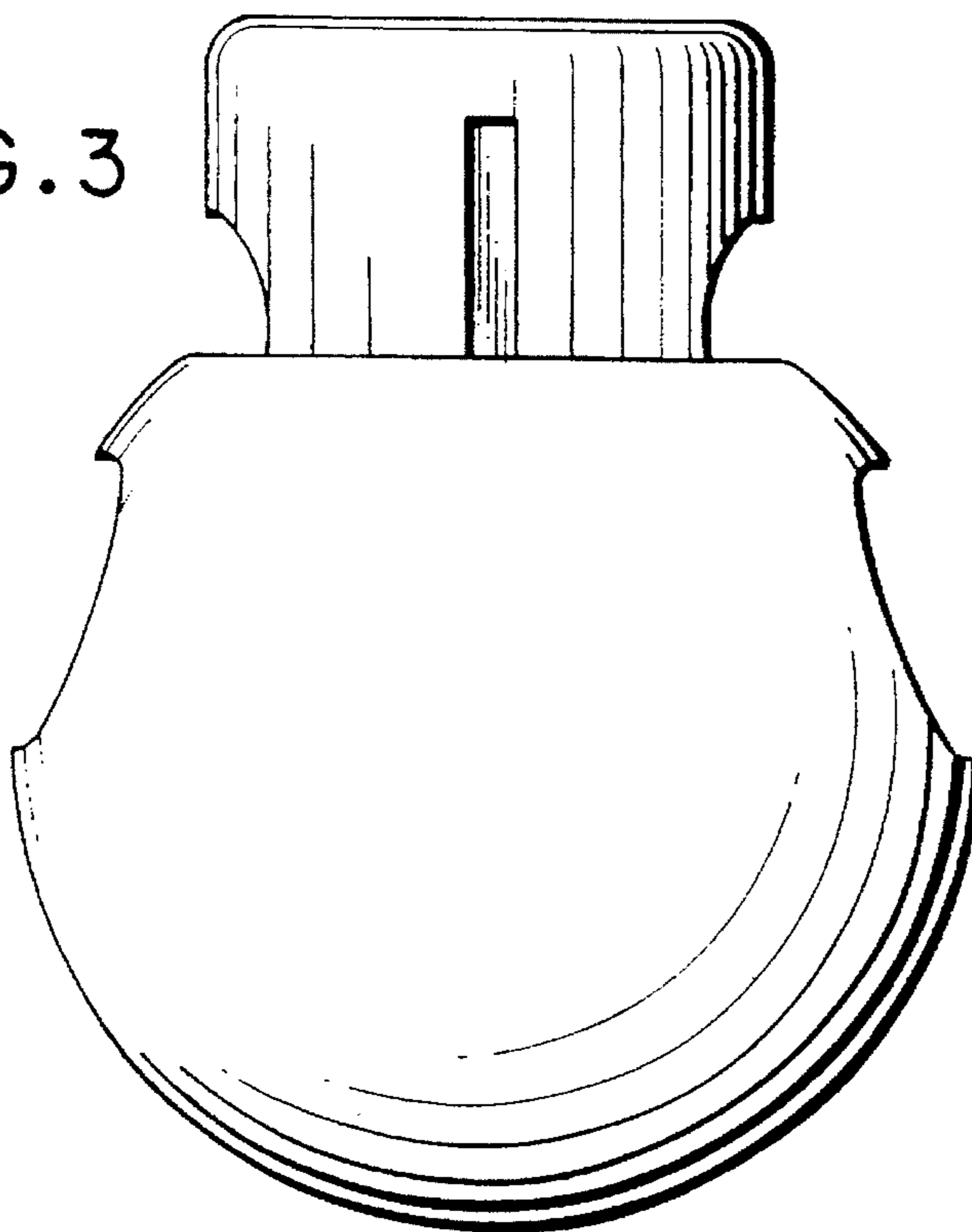


FIG. 4

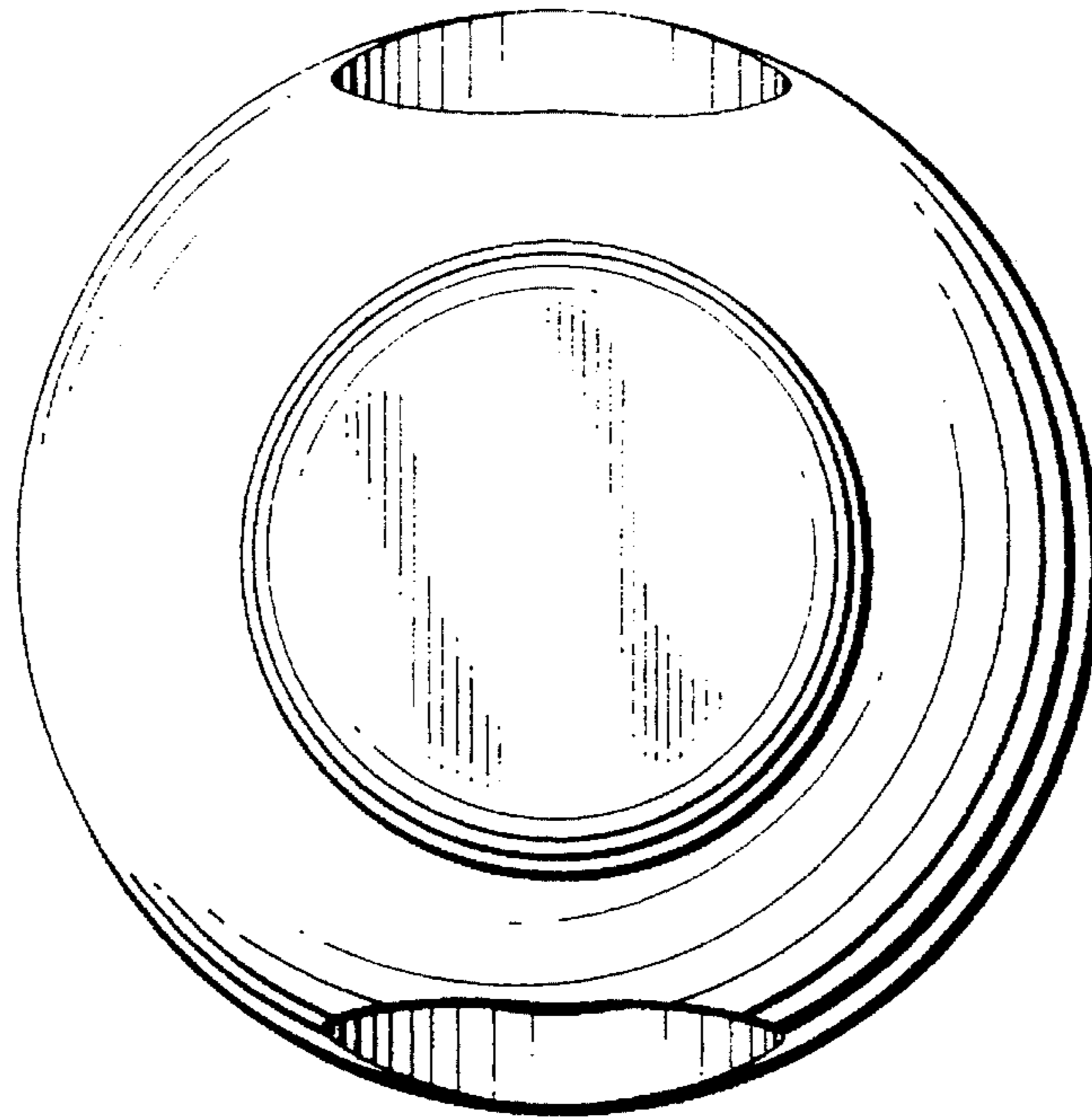


FIG. 5

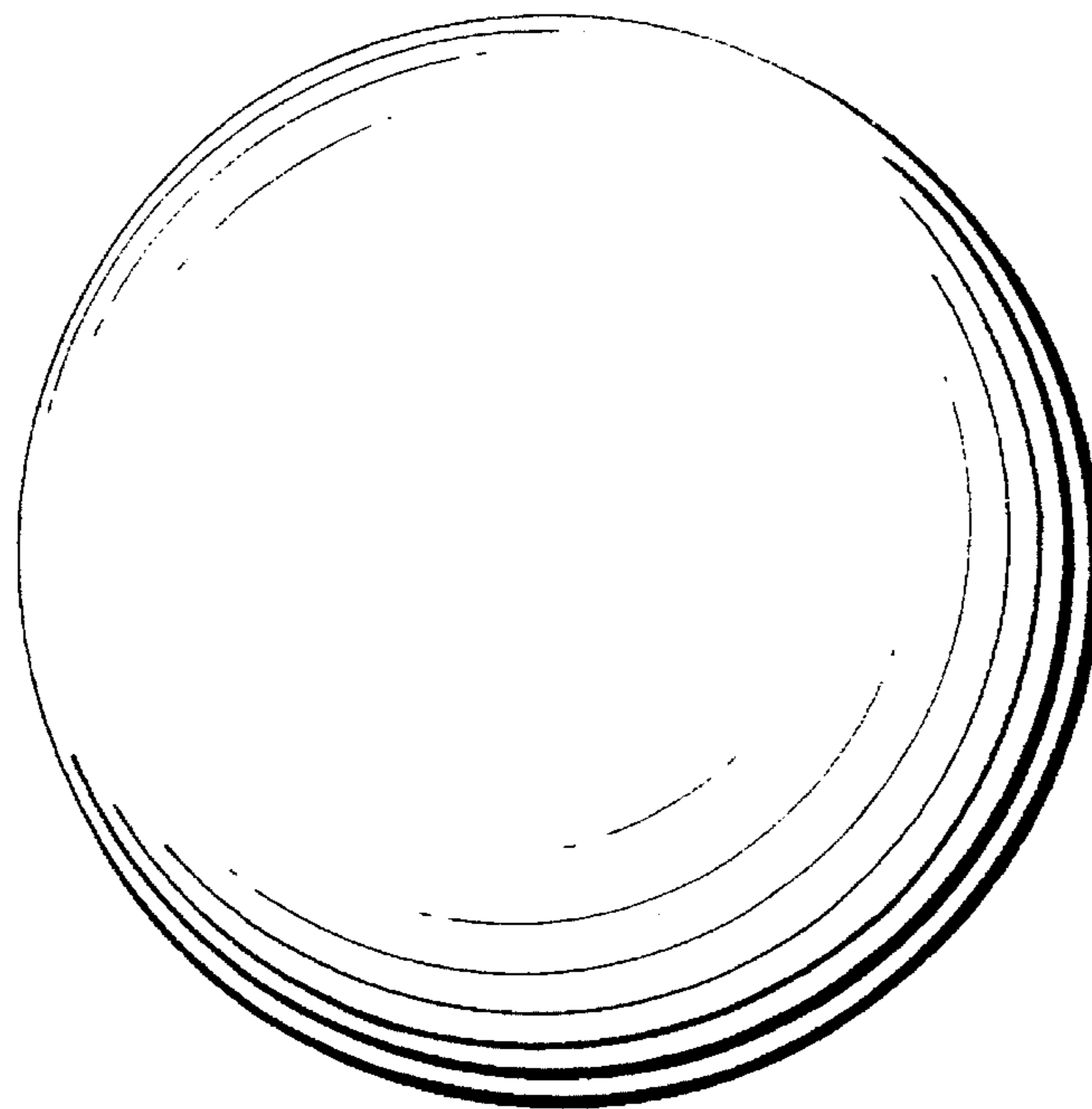


FIG. 6

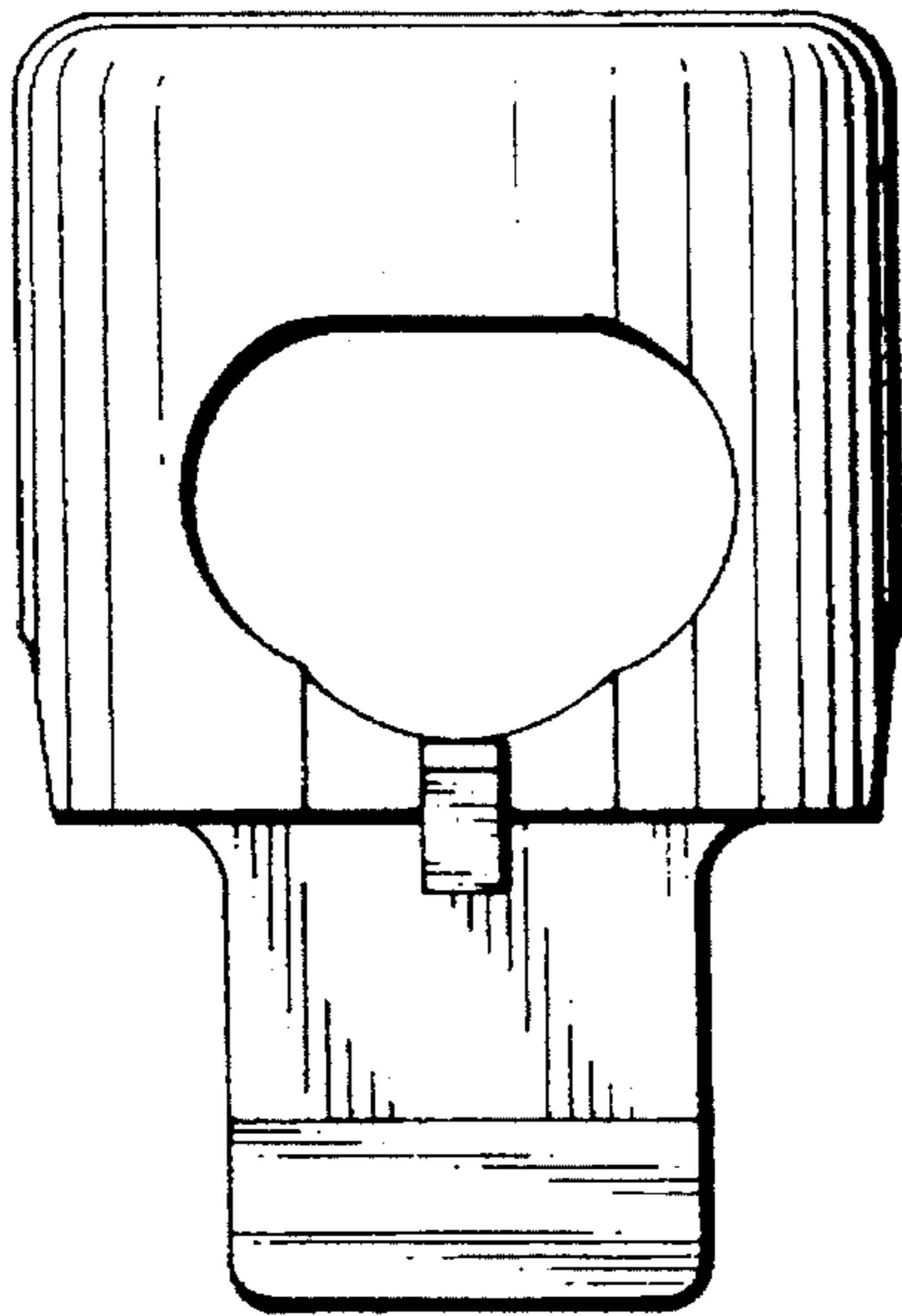


FIG. 7

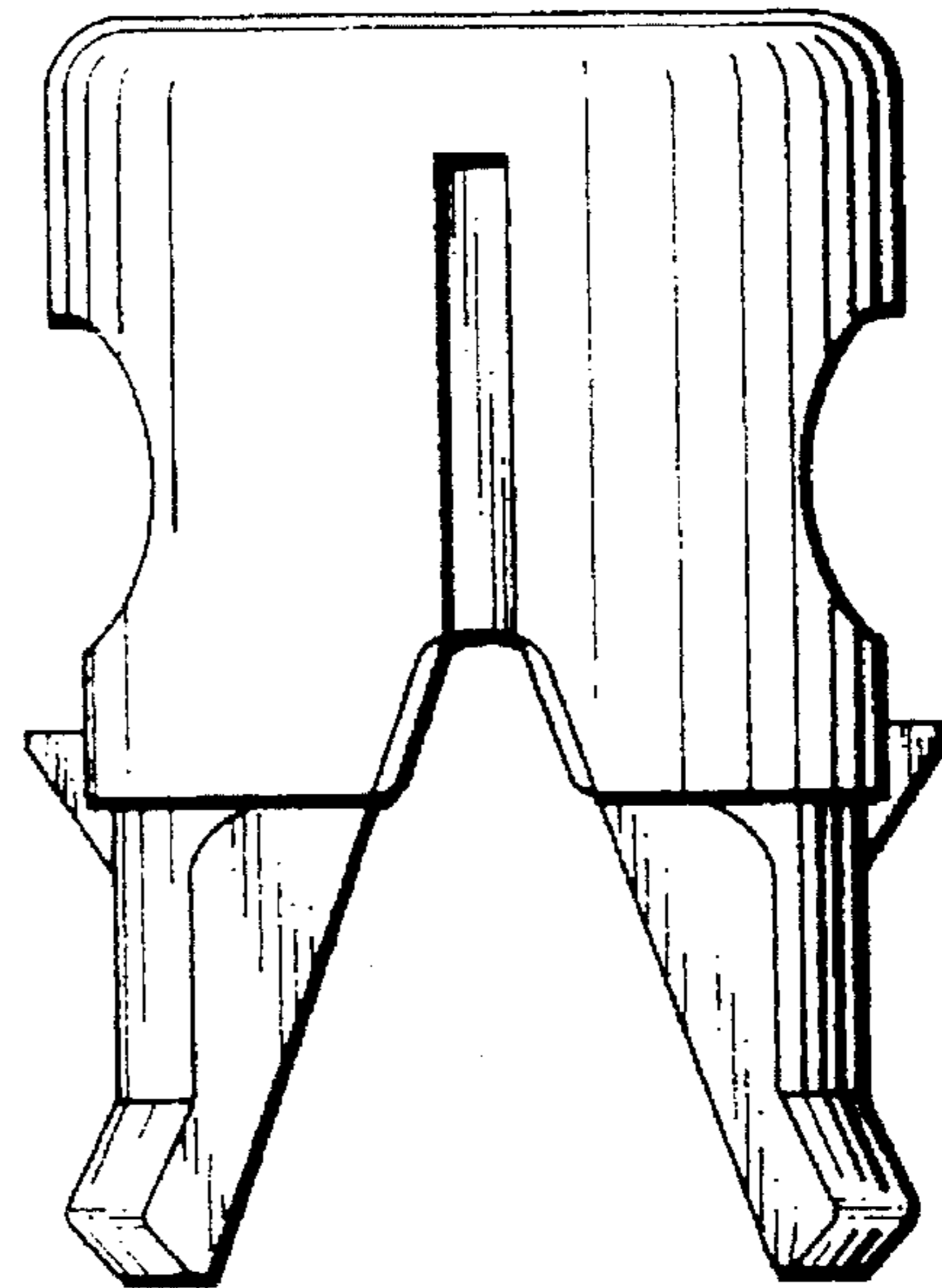


FIG. 8

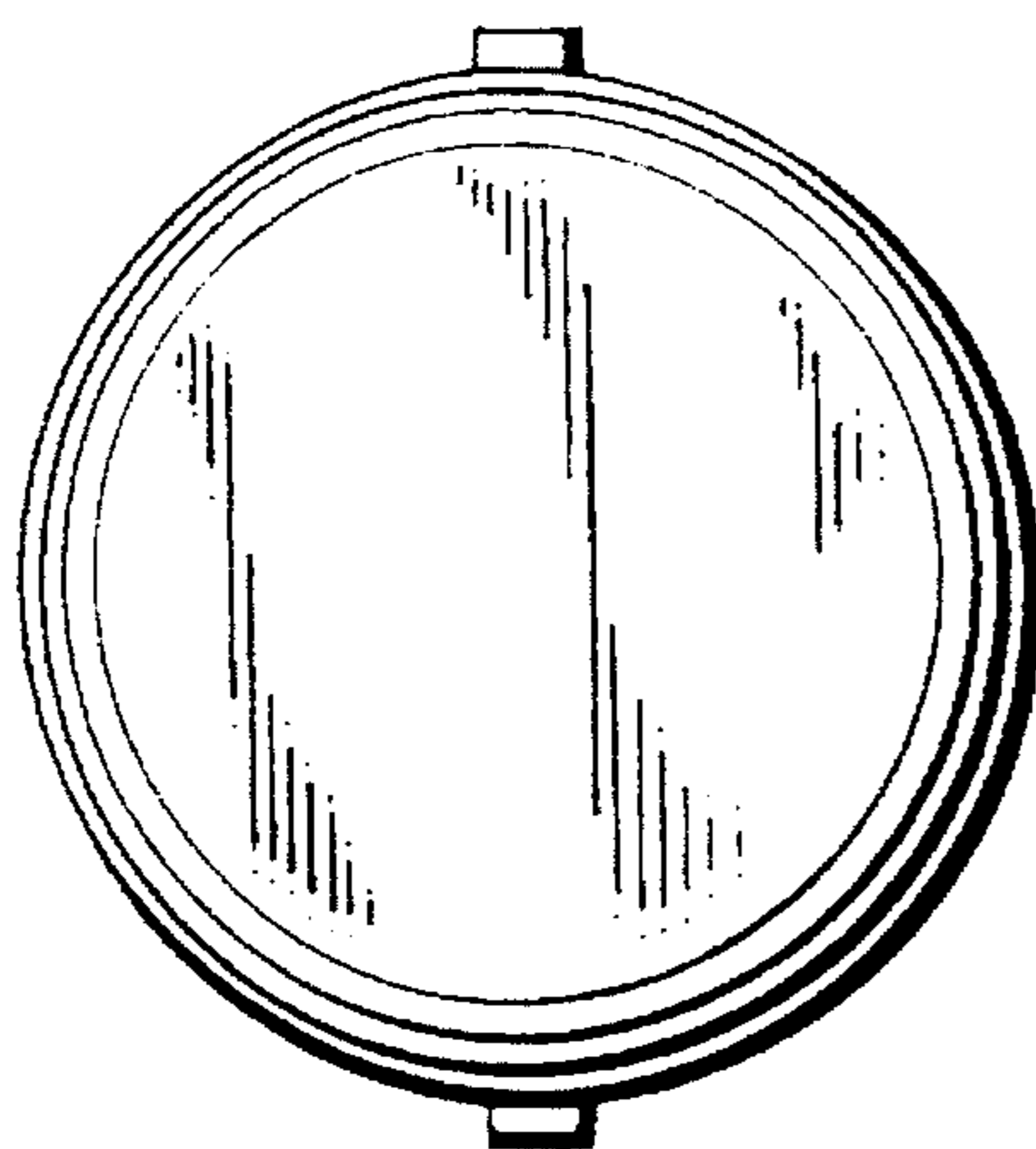


FIG. 9

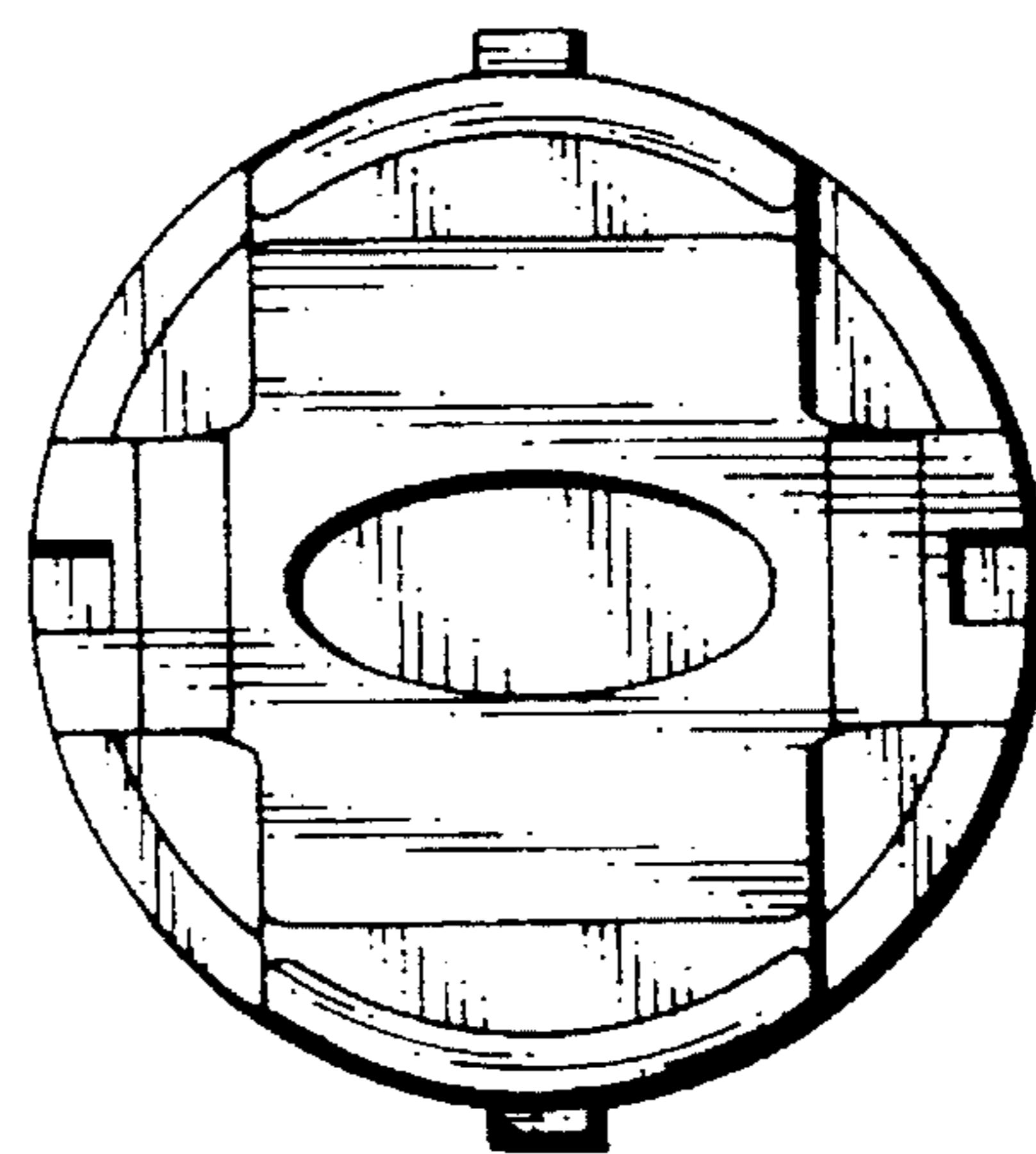


FIG. 10

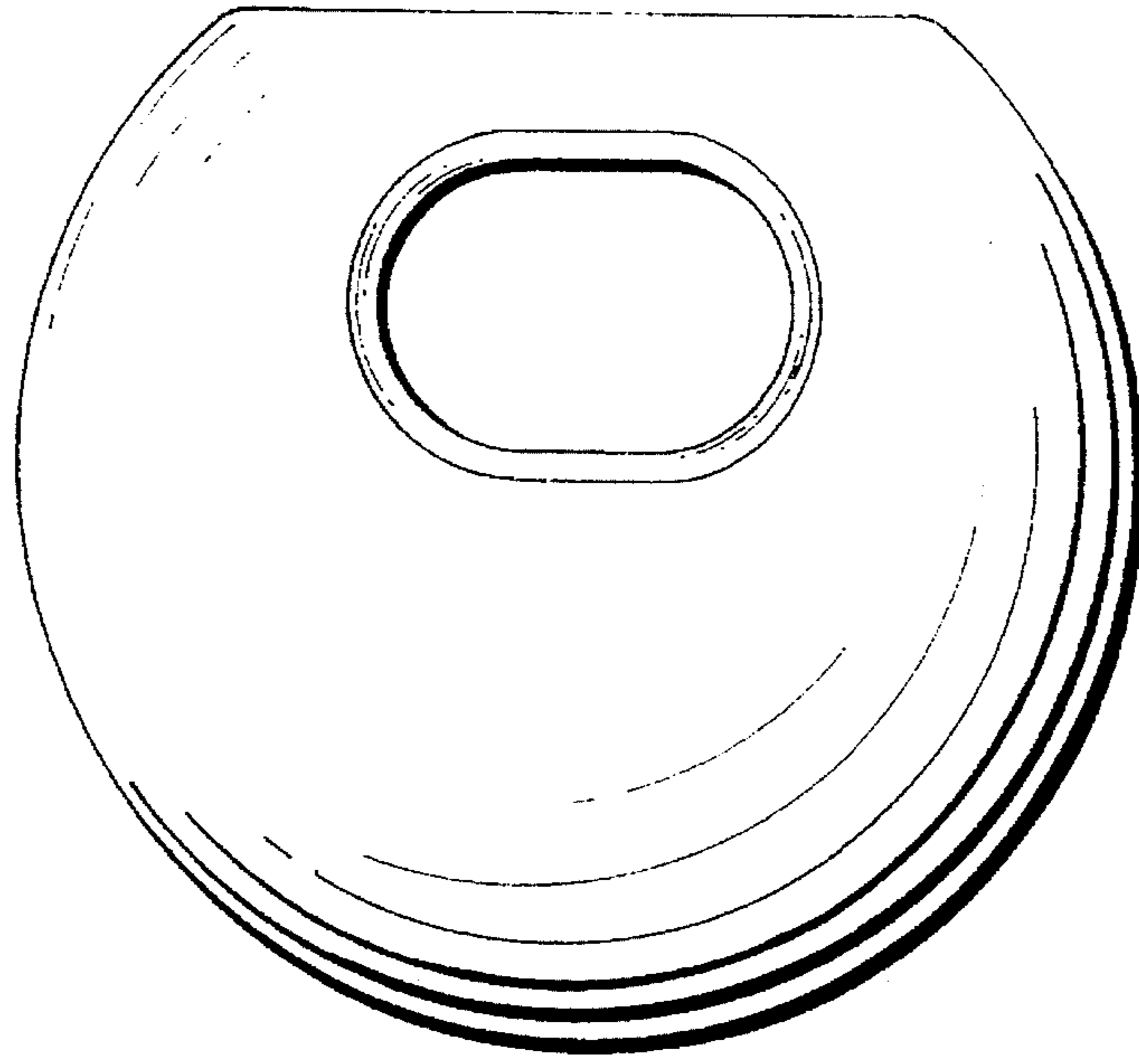


FIG. 11

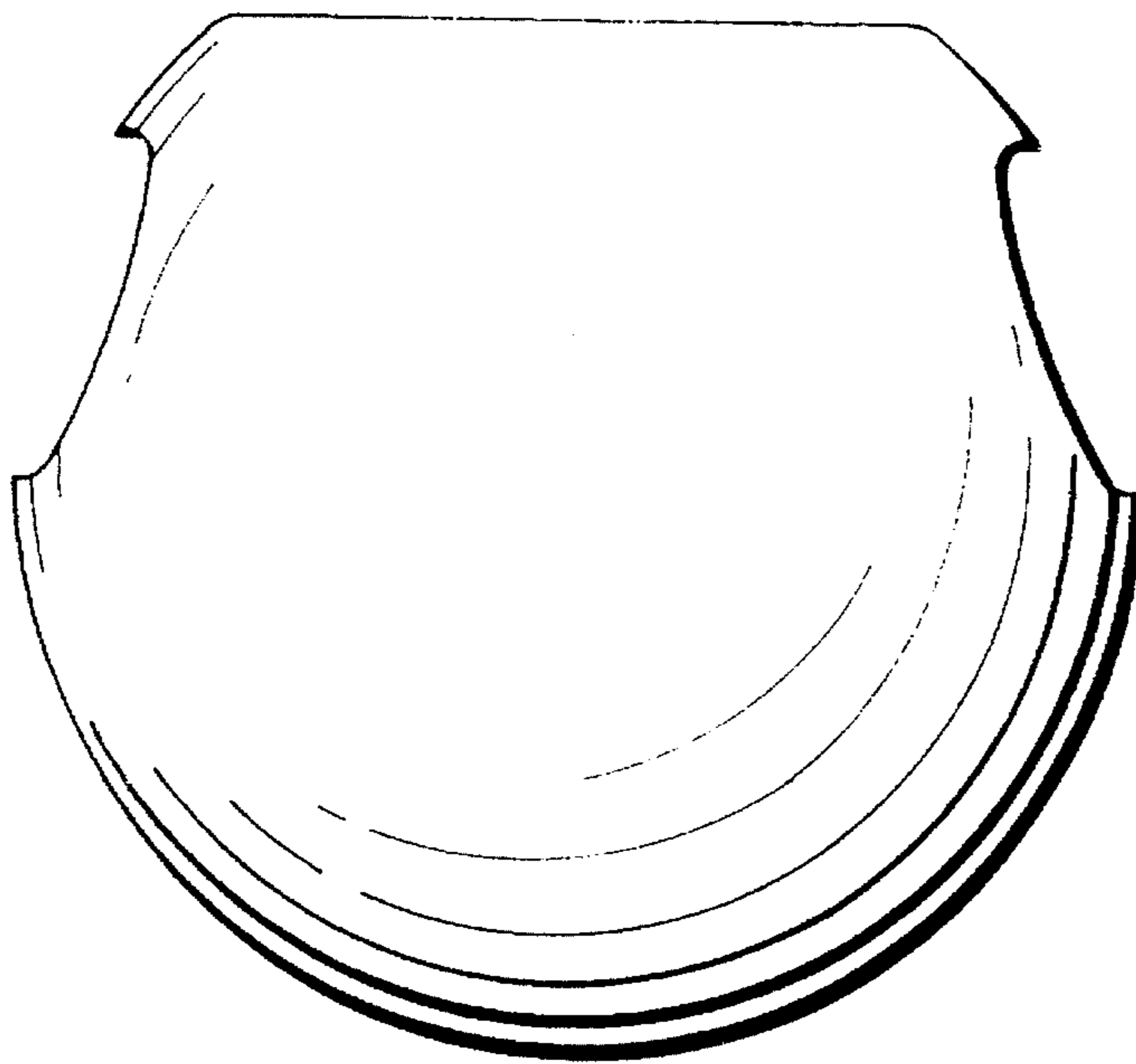


FIG. 12

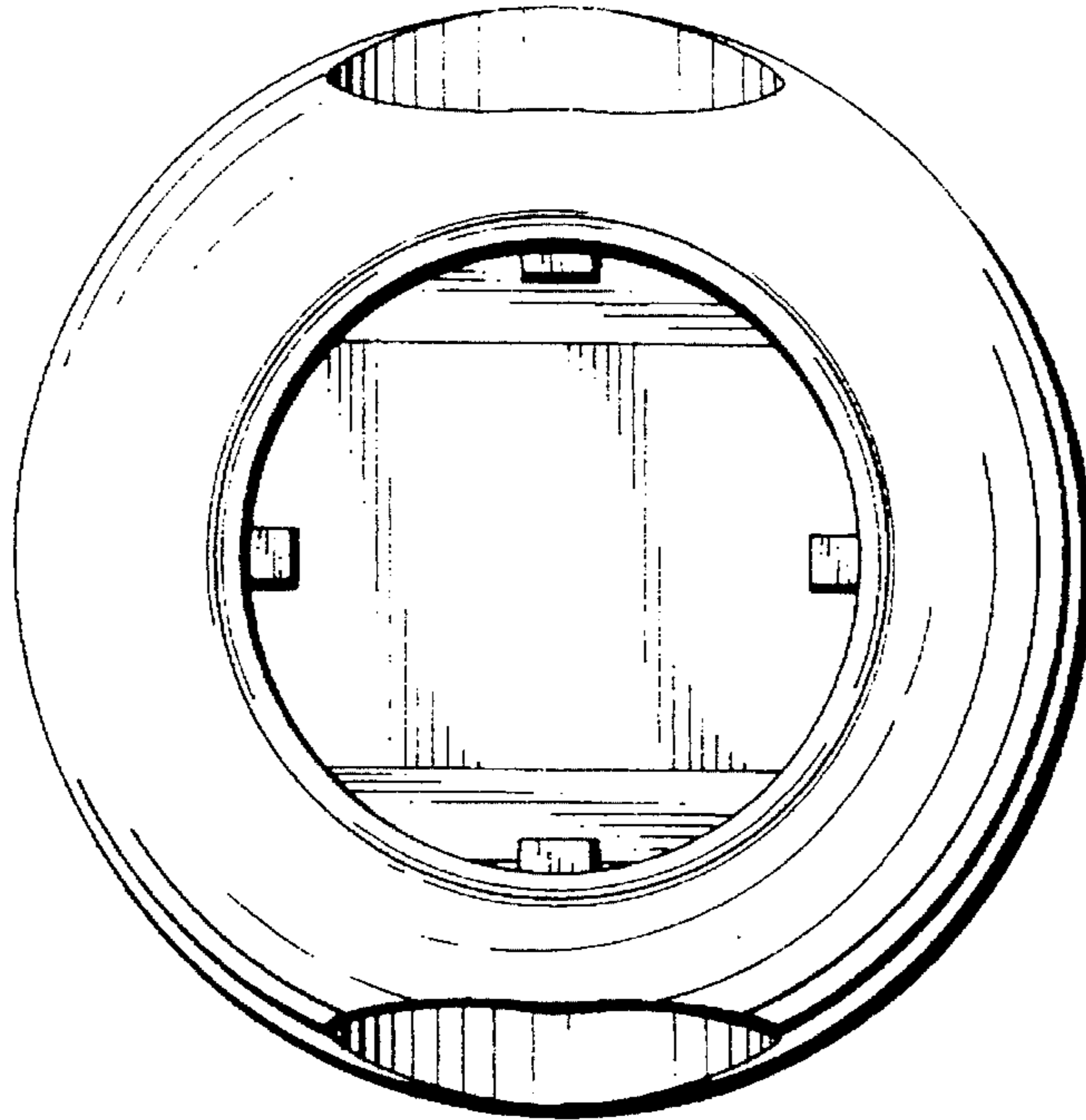


FIG. 13

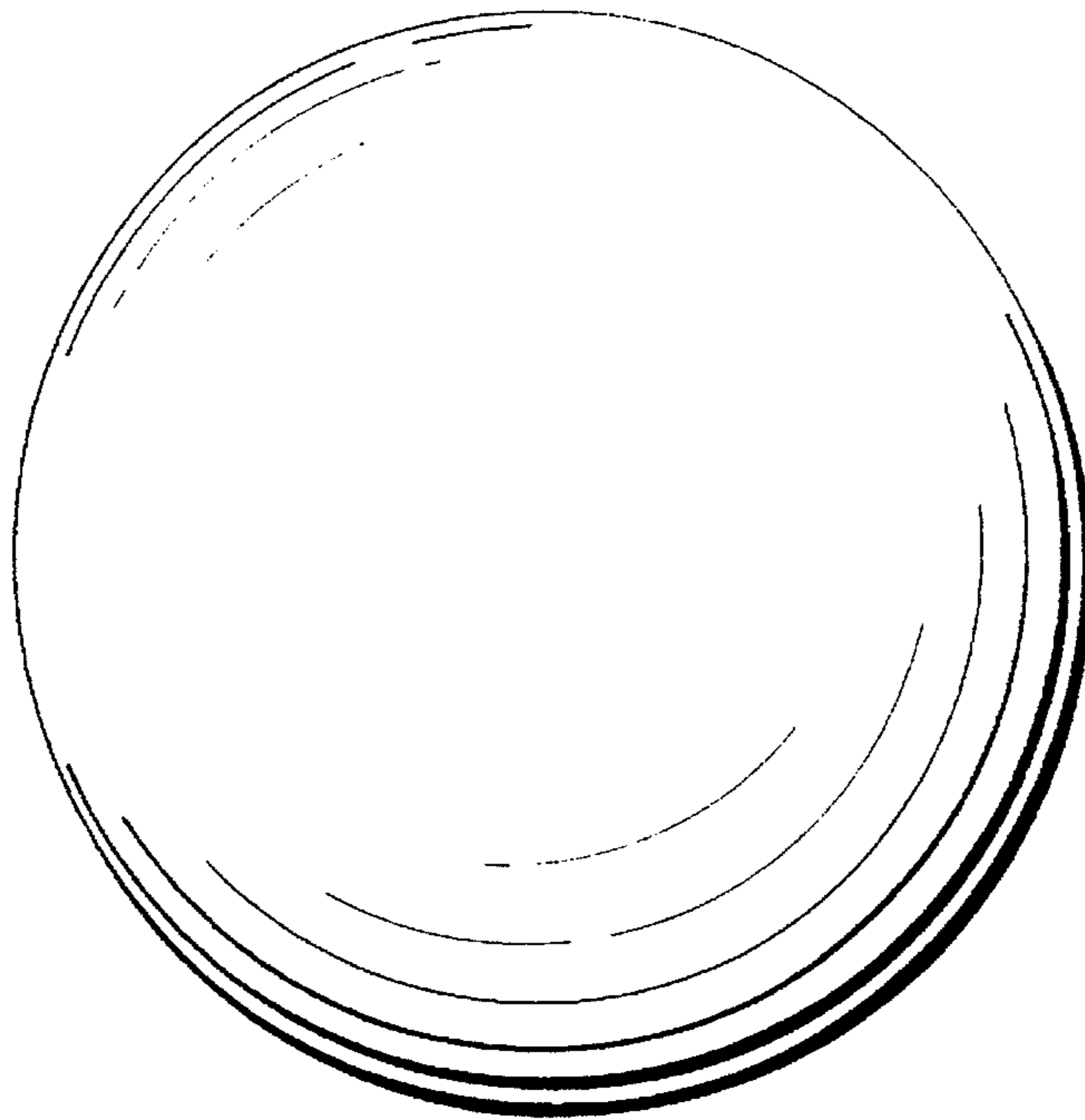


FIG. 14

