



US00D367220S

United States Patent [19]

[11] Patent Number: **Des. 367,220**

Bush

[45] Date of Patent: ****Feb. 20, 1996**

[54] **PAIR OF KEYBOARD SUPPORT BRACKETS**

[76] Inventor: **Carolyn A. Bush**, 911 Cherry La., Findlay, Ohio 45840

[**] Term: **14 Years**

[21] Appl. No.: **25,004**

[22] Filed: **Jun. 27, 1994**

[52] U.S. Cl. **D8/373**

[58] Field of Search D8/367, 373, 371, D8/354; D6/323, 312; 248/300-301, 304, 317, 339, 215, 205.3, 490, 475.1, 492, 489, 917-925, 201; 24/8; D14/114; 341/22

[56] **References Cited**

U.S. PATENT DOCUMENTS

D. 286,344	10/1986	Hughes, Jr.	D8/371	X
D. 319,822	9/1991	Troke	D14/114	
4,863,136	9/1989	Sanders	248/490	
5,307,860	5/1994	Wilkinson et al.	248/300	X

OTHER PUBLICATIONS

Stanley Hardware, May 21, 1980, p. 216, hook-item No. SP8309 located at bottom of page.

Primary Examiner—A. Hugo Word

Assistant Examiner—Holly Baynham
Attorney, Agent, or Firm—Salzman & Levy

[57] **CLAIM**

The ornamental design for a pair of keyboard support brackets, as shown and described.

DESCRIPTION

FIG. 1 is a perspective view of the pair of keyboard support brackets of the invention;

FIG. 2 is a front elevation view of the pair of keyboard support brackets shown in FIG. 1;

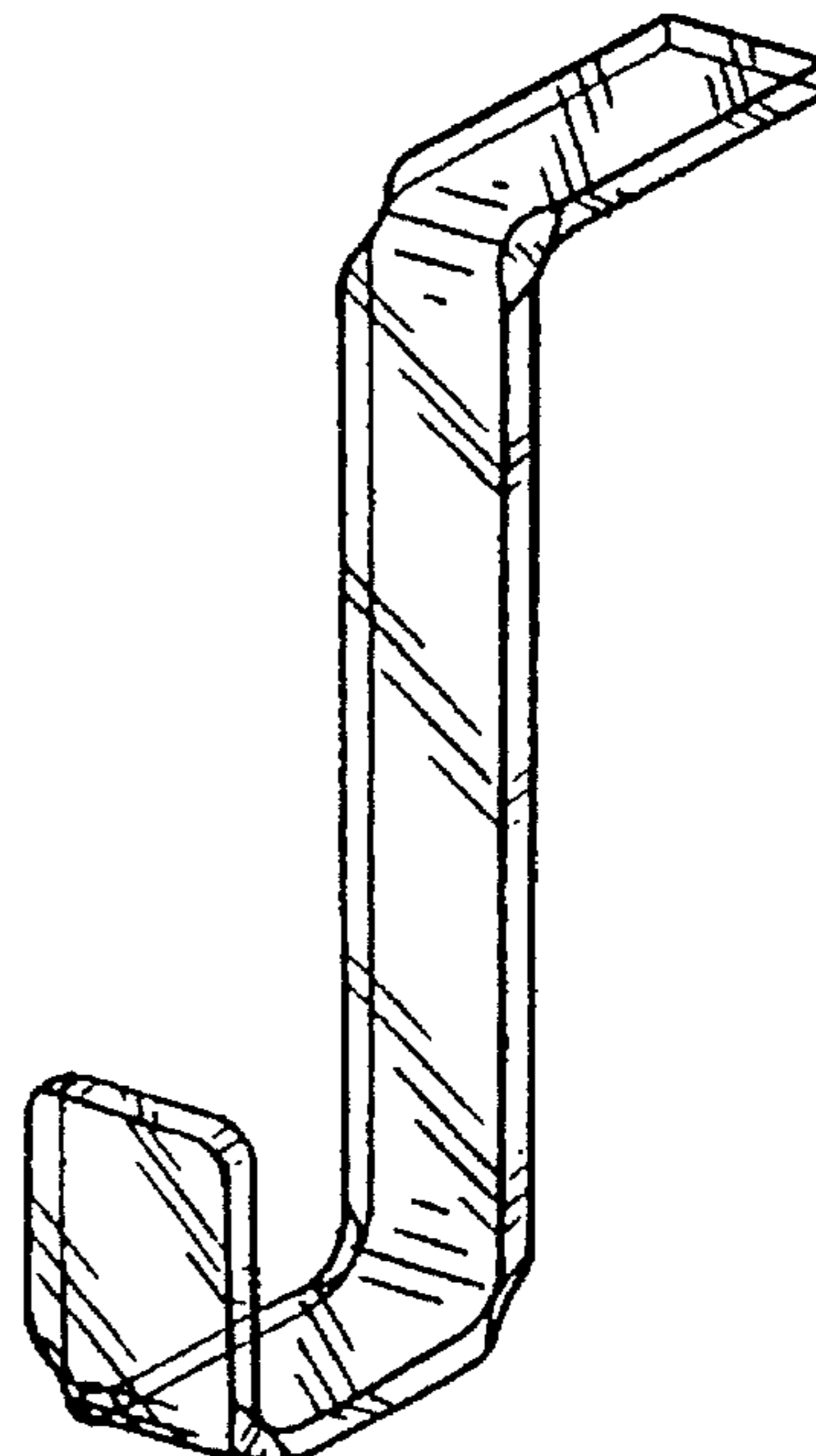
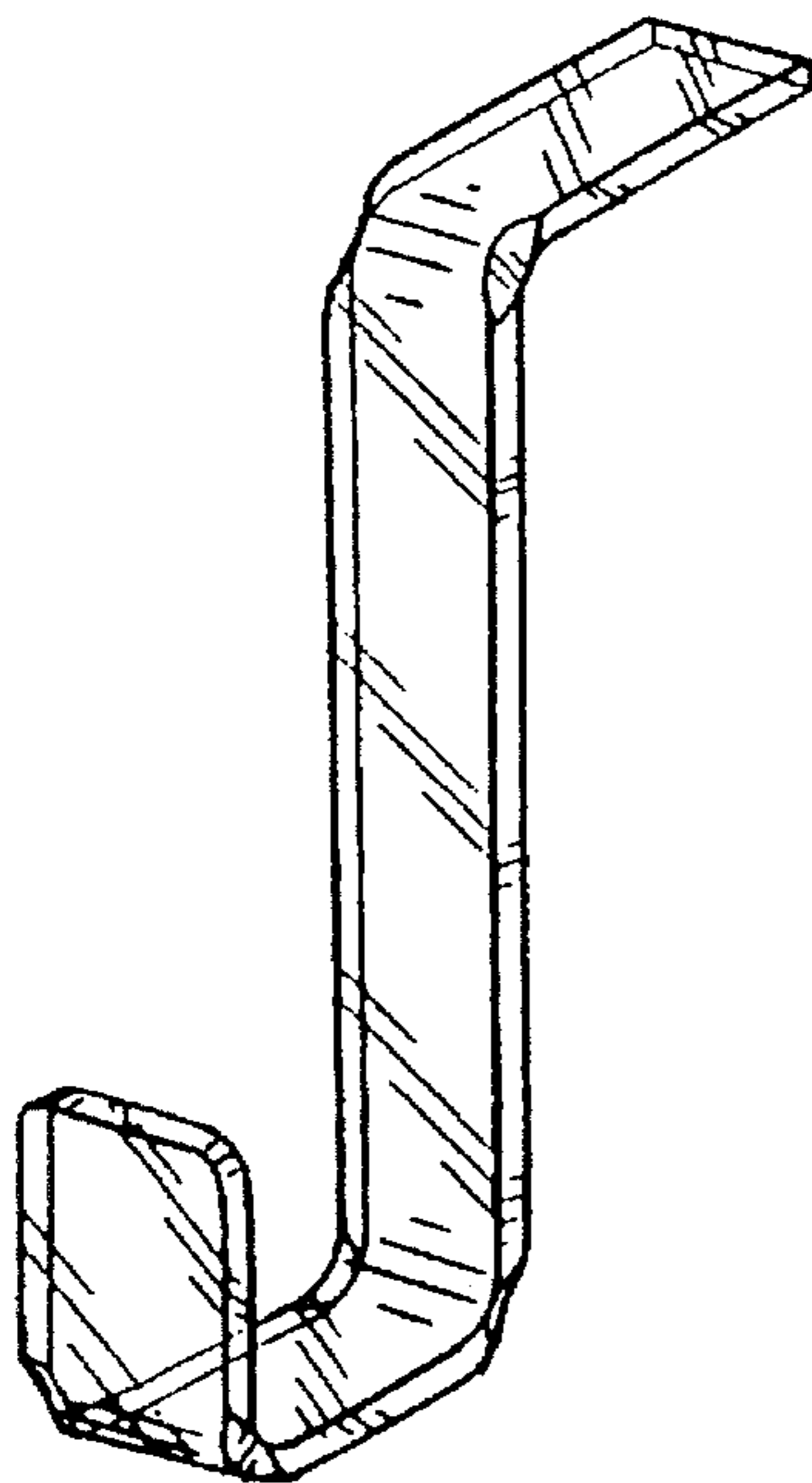
FIG. 3 is a top plan view of the pair of keyboard support brackets shown in FIG. 1;

FIG. 4 is a left side elevation view of the pair of keyboard support brackets shown in FIG. 1, the right side elevation view (not shown) being a mirror image of this FIG. 4;

FIG. 5 is a back elevation view of the pair of keyboard support brackets shown in FIG. 1; and,

FIG. 6 is a bottom plan view of the pair of keyboard support brackets shown in FIG. 1.

1 Claim, 3 Drawing Sheets



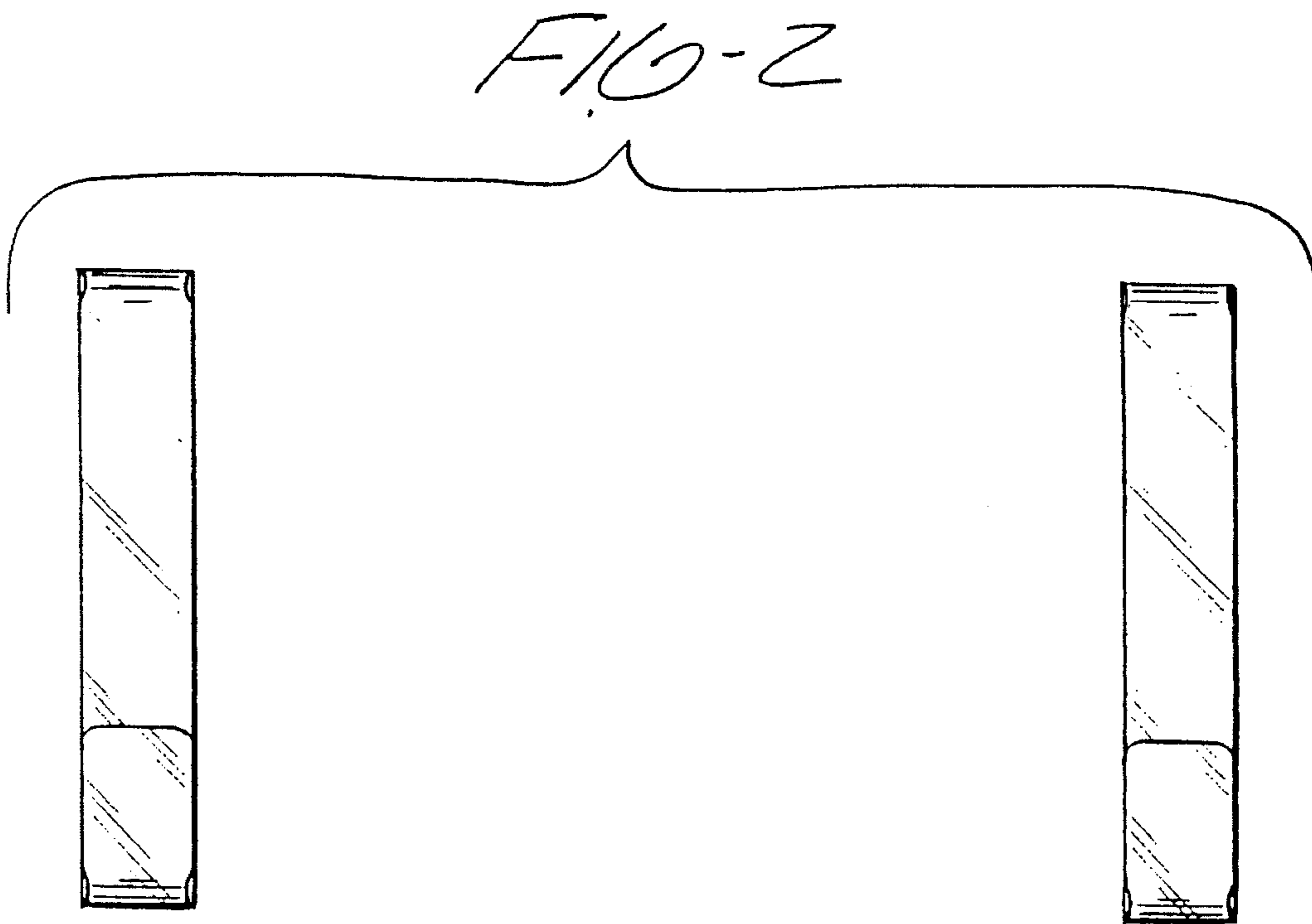
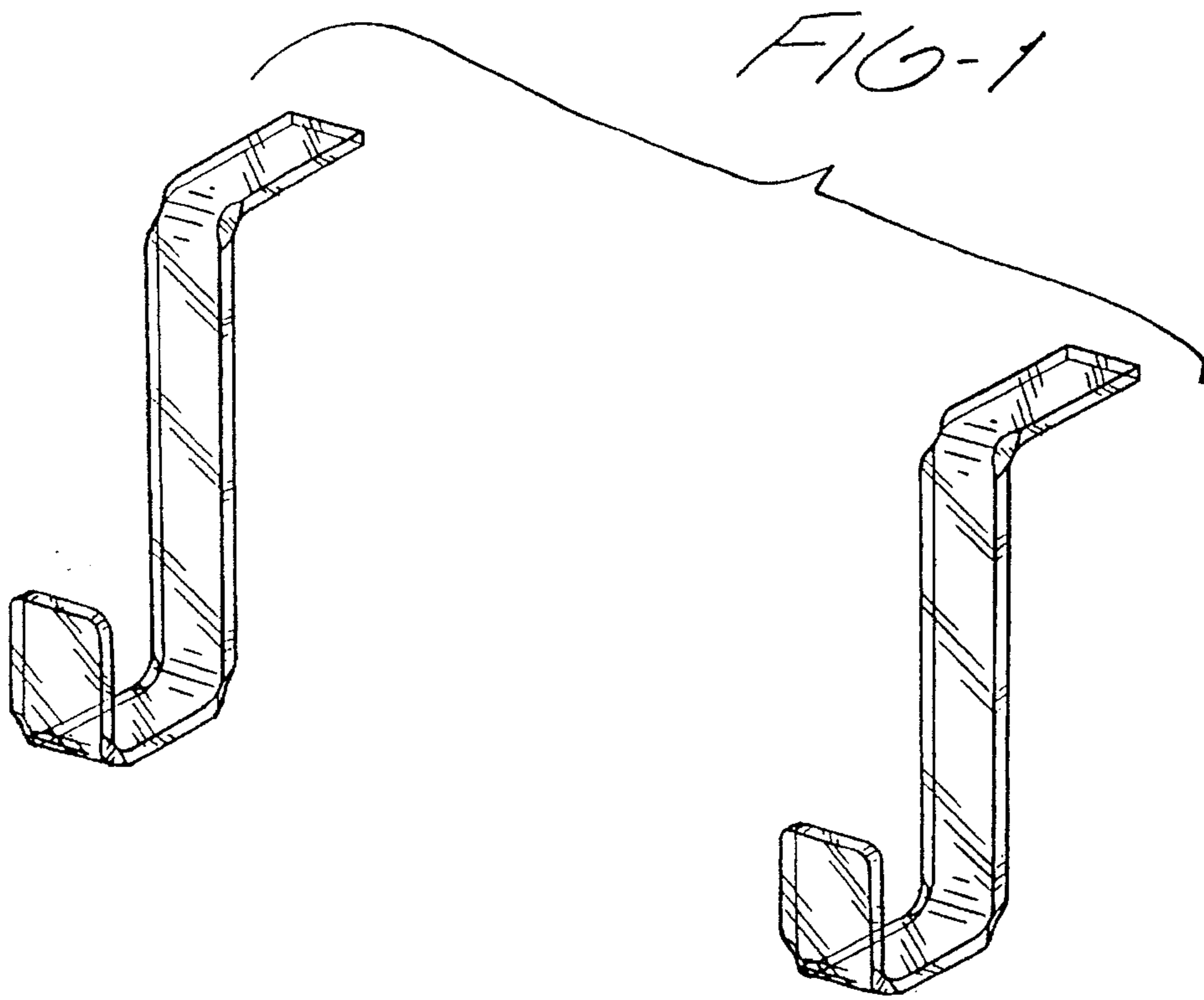


FIG-3

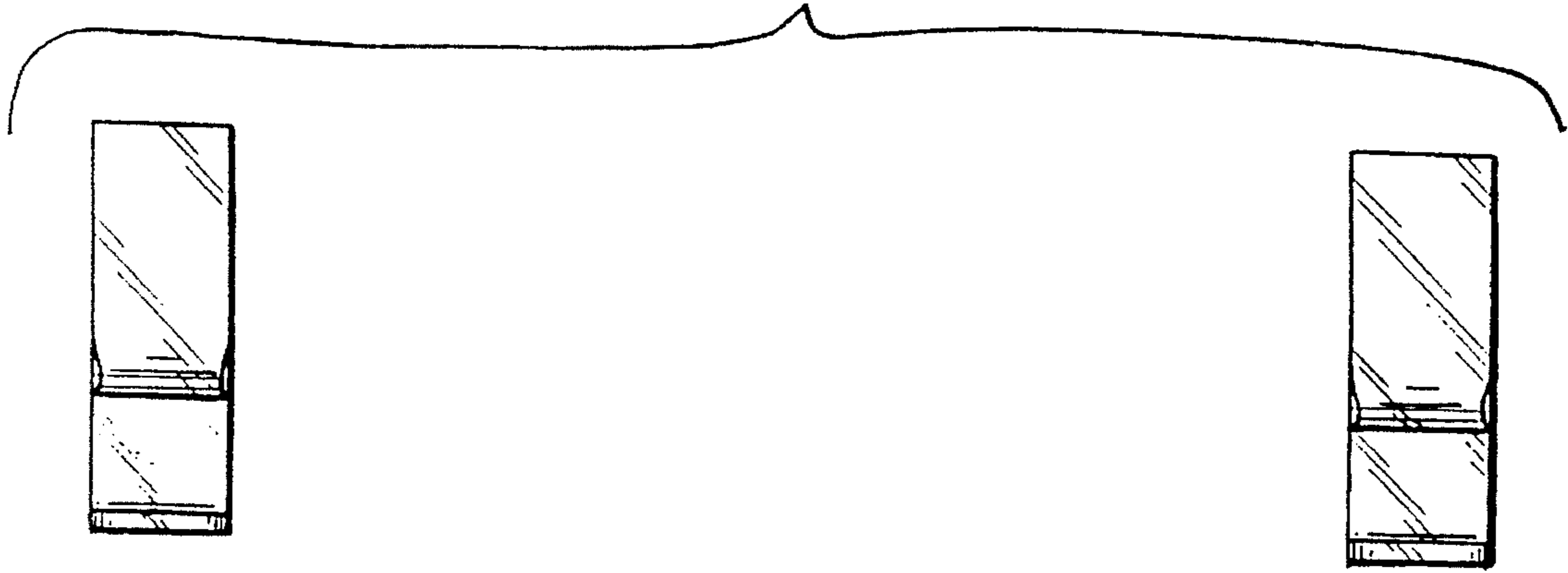


FIG-4

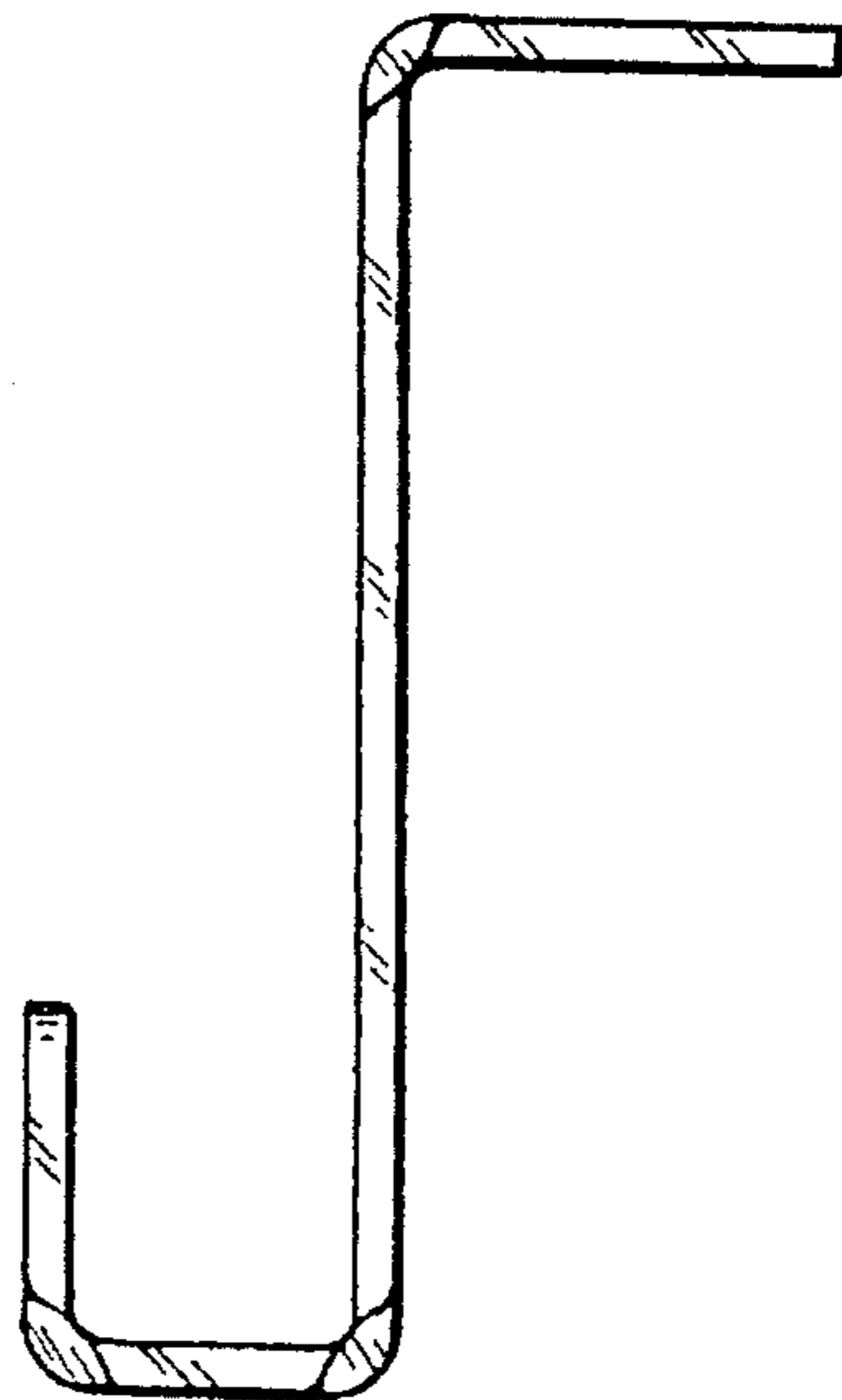


FIG-5

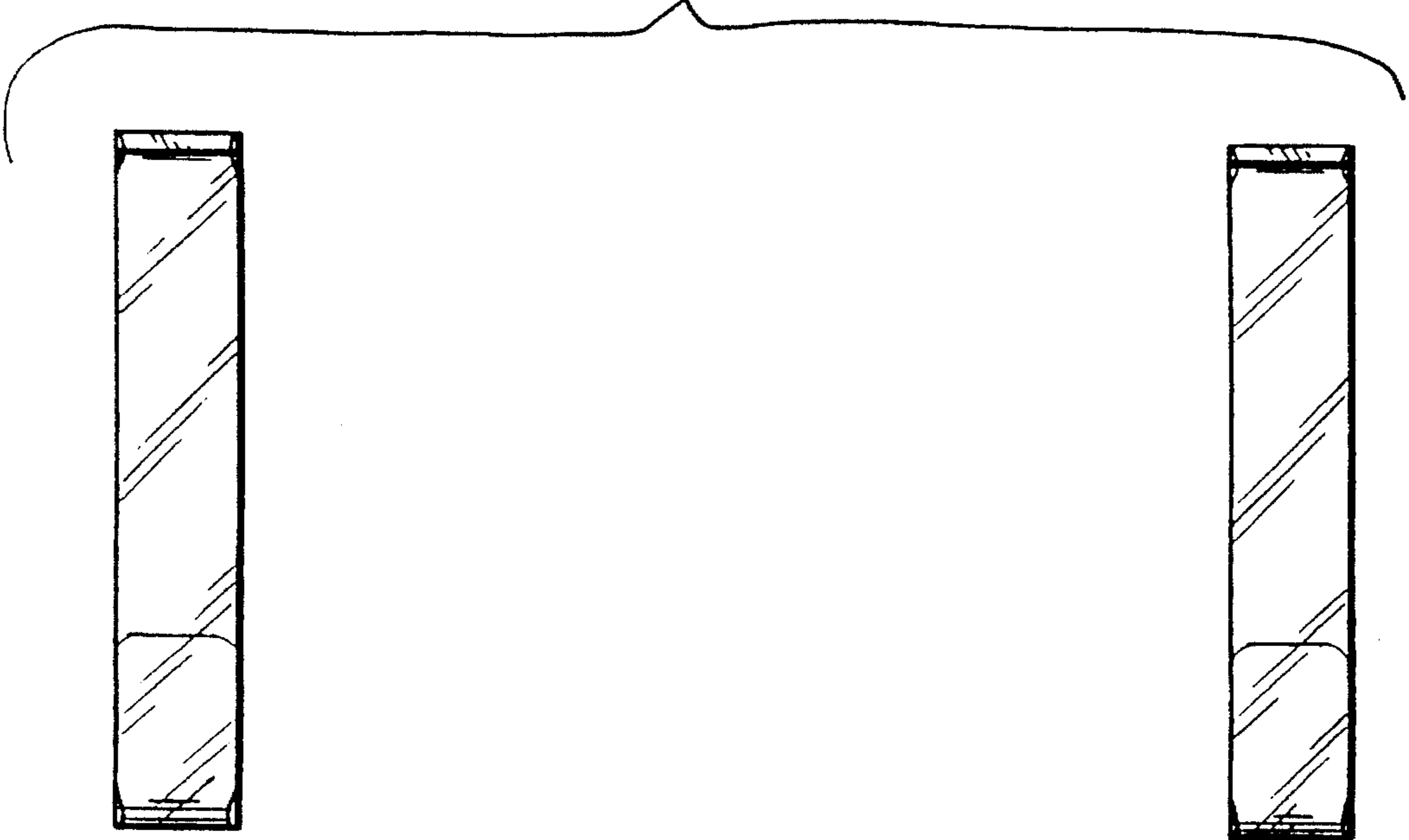


FIG-6

