



US00D367219S

United States Patent [19]

[11] Patent Number: **Des. 367,219**

Von Gunten

[45] Date of Patent: ****Feb. 20, 1996**

[54] ROD HOLDING ADAPTER FOR A CANTILEVER BRACKET

Assistant Examiner—Holly Baynham
Attorney, Agent, or Firm—James P. Hanrath

[76] Inventor: **Lee L. Von Gunten**, 64 Newtown Dr., Buffalo Grove, Ill. 60089

[57] CLAIM

[**] Term: **14 Years**

The ornamental design for a rod holding adapter for a cantilever bracket, as shown and described.

[21] Appl. No.: **26,536**

DESCRIPTION

[22] Filed: **Aug. 1, 1994**

[52] U.S. Cl. **D8/354**

[58] Field of Search D8/354, 349, 373; 248/235, 243, 221.1, 73, 229, 68.1

FIG. 1 is a perspective view of the rod holding adapter for a cantilever bracket, showing my new design, wherein the broken lines are for environmental purposes only and form no part of the claimed design;

[56] References Cited

U.S. PATENT DOCUMENTS

1,830,438	11/1931	Miller	248/243	X
2,059,429	11/1936	Anderson	248/73	
3,386,695	6/1968	Blood et al.	248/229	
5,069,408	12/1991	Bessinger	248/243	X

FIG. 2 is a side view thereof, the opposite side being a mirror image thereof;

FOREIGN PATENT DOCUMENTS

2511555	2/1983	Germany	248/68.1	
---------	--------	---------	-------	----------	--

FIG. 3 is a front view thereof, the back view being a mirror image thereof;

OTHER PUBLICATIONS

FIG. 4 is a top view thereof;

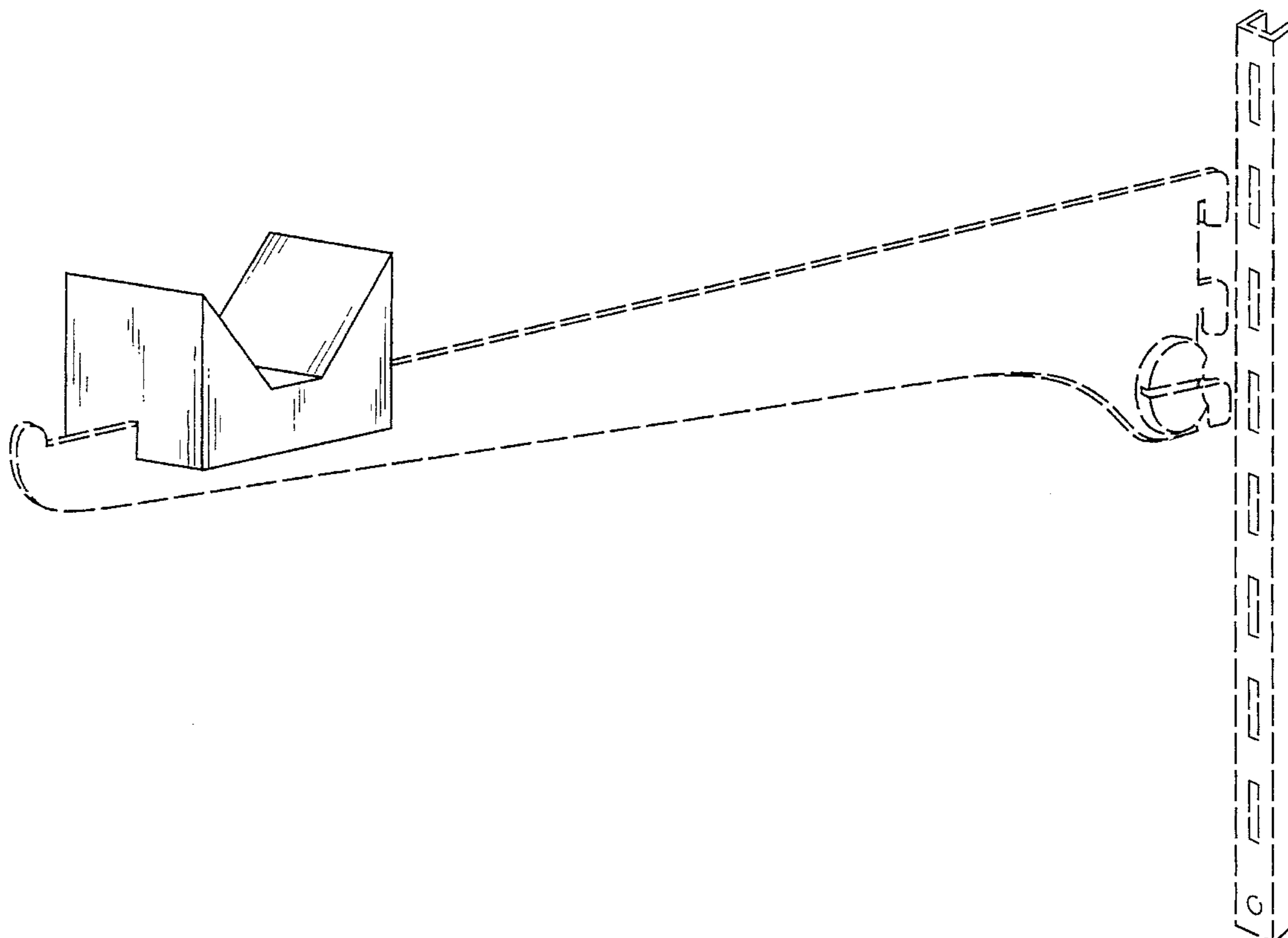
Ultrex catalog, Jan. 31, 1975, p. 8, bearing pillow blocks, found at right of page, (Located in examiner's office.).

FIG. 5 is a bottom view thereof; and,

FIG. 6 is a bottom, front perspective view thereof.

Primary Examiner—A. Hugo Word

1 Claim, 3 Drawing Sheets



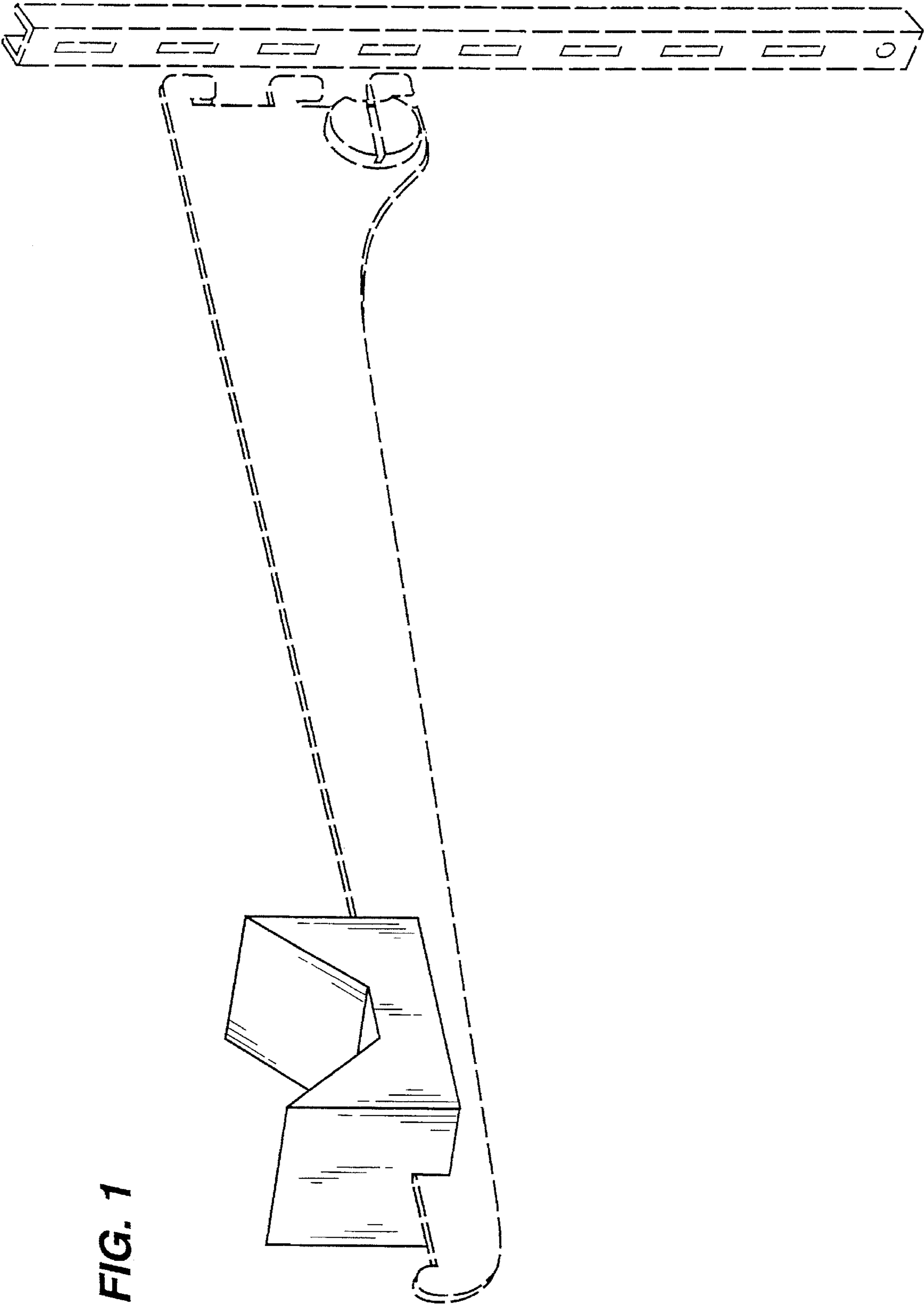


FIG. 1

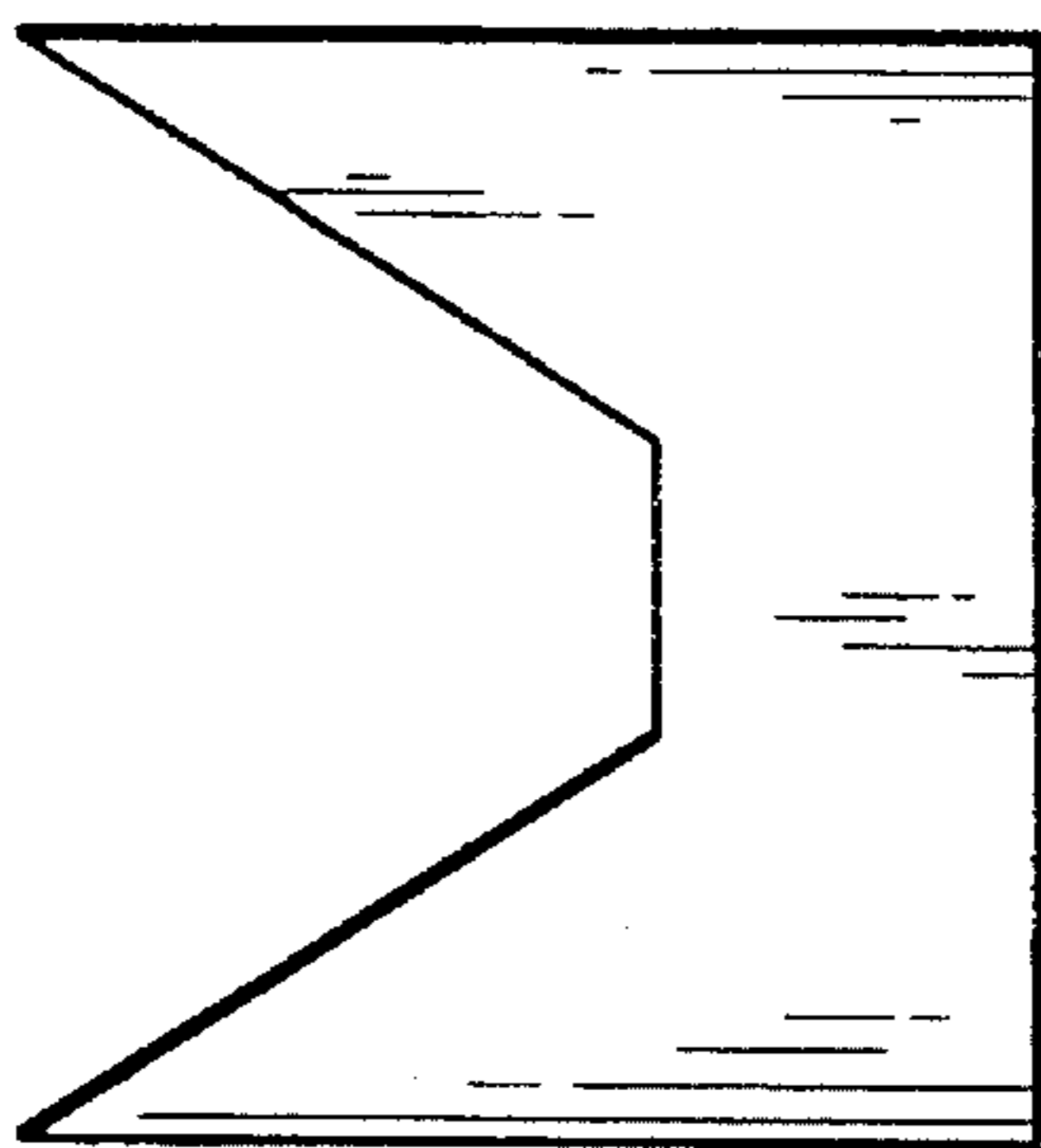


FIG. 2

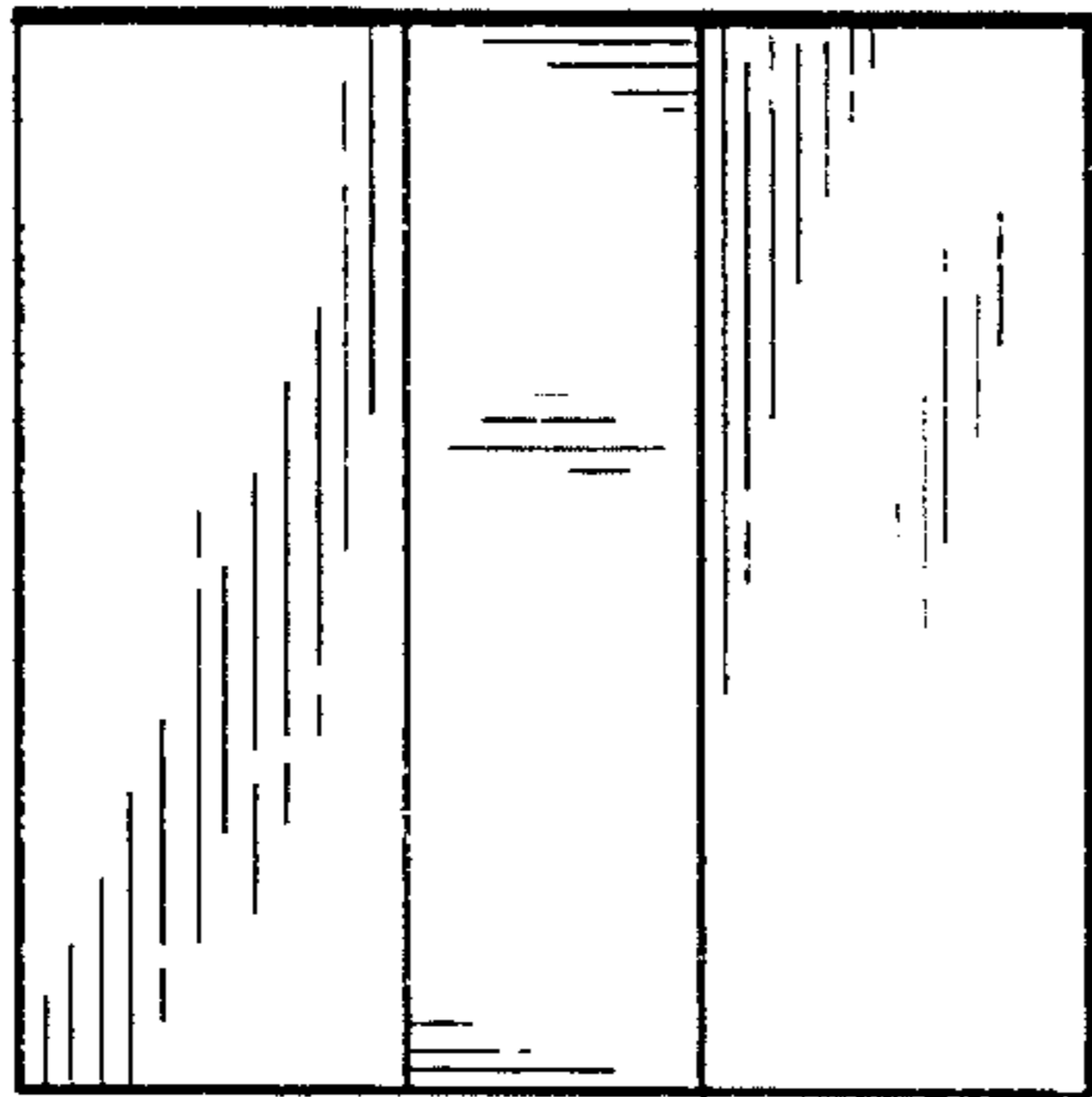


FIG. 4

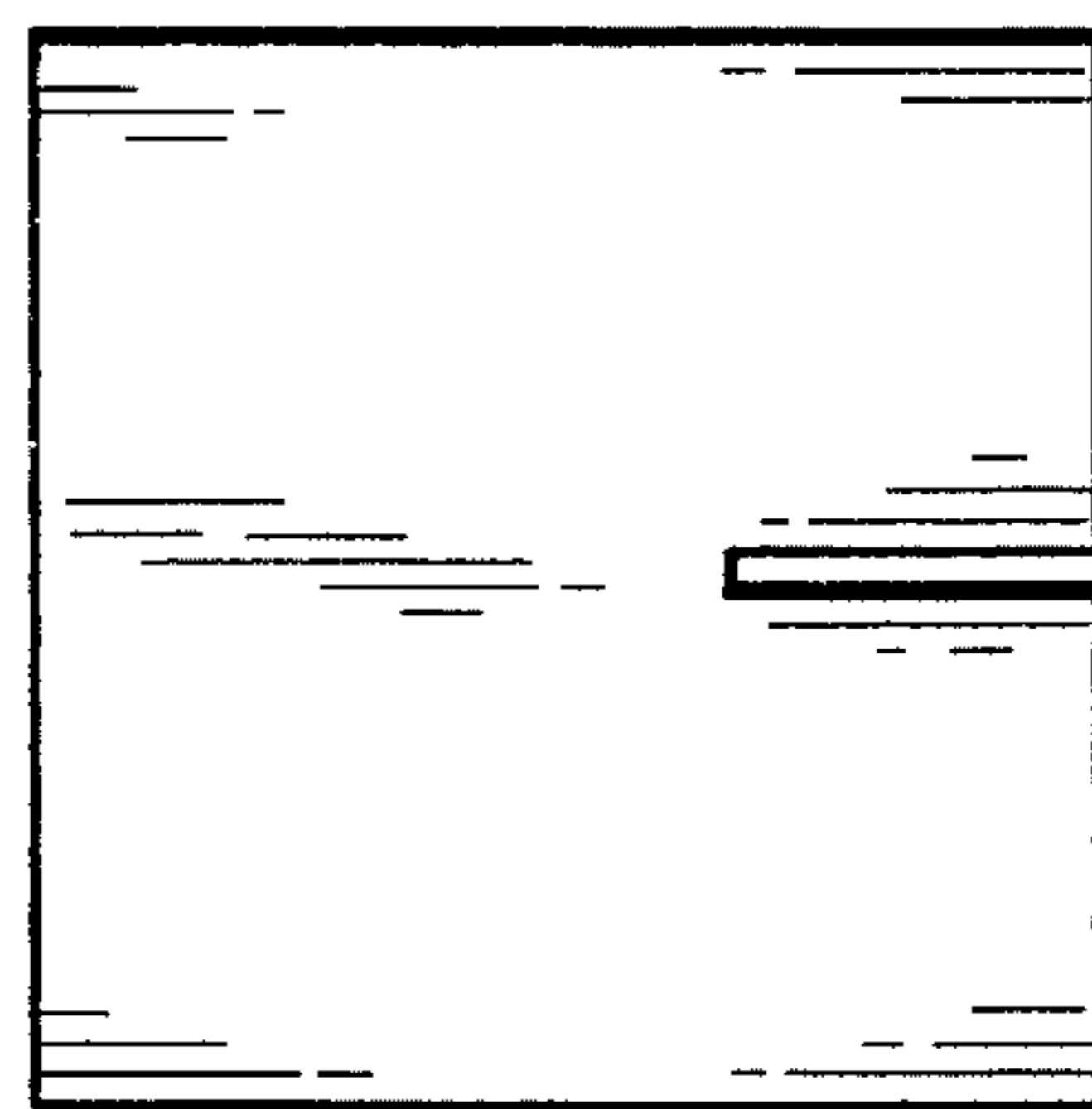


FIG. 3

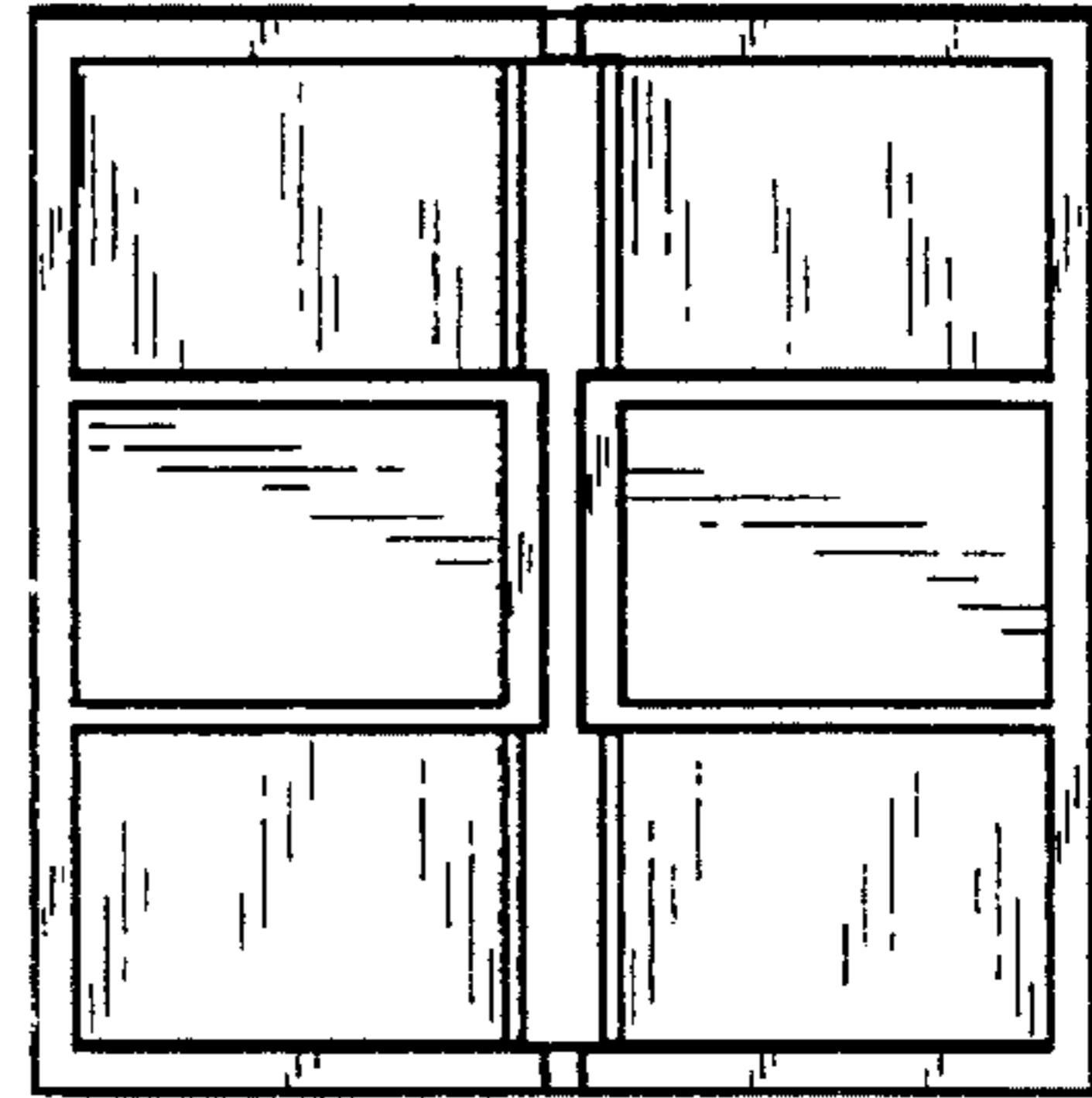


FIG. 5

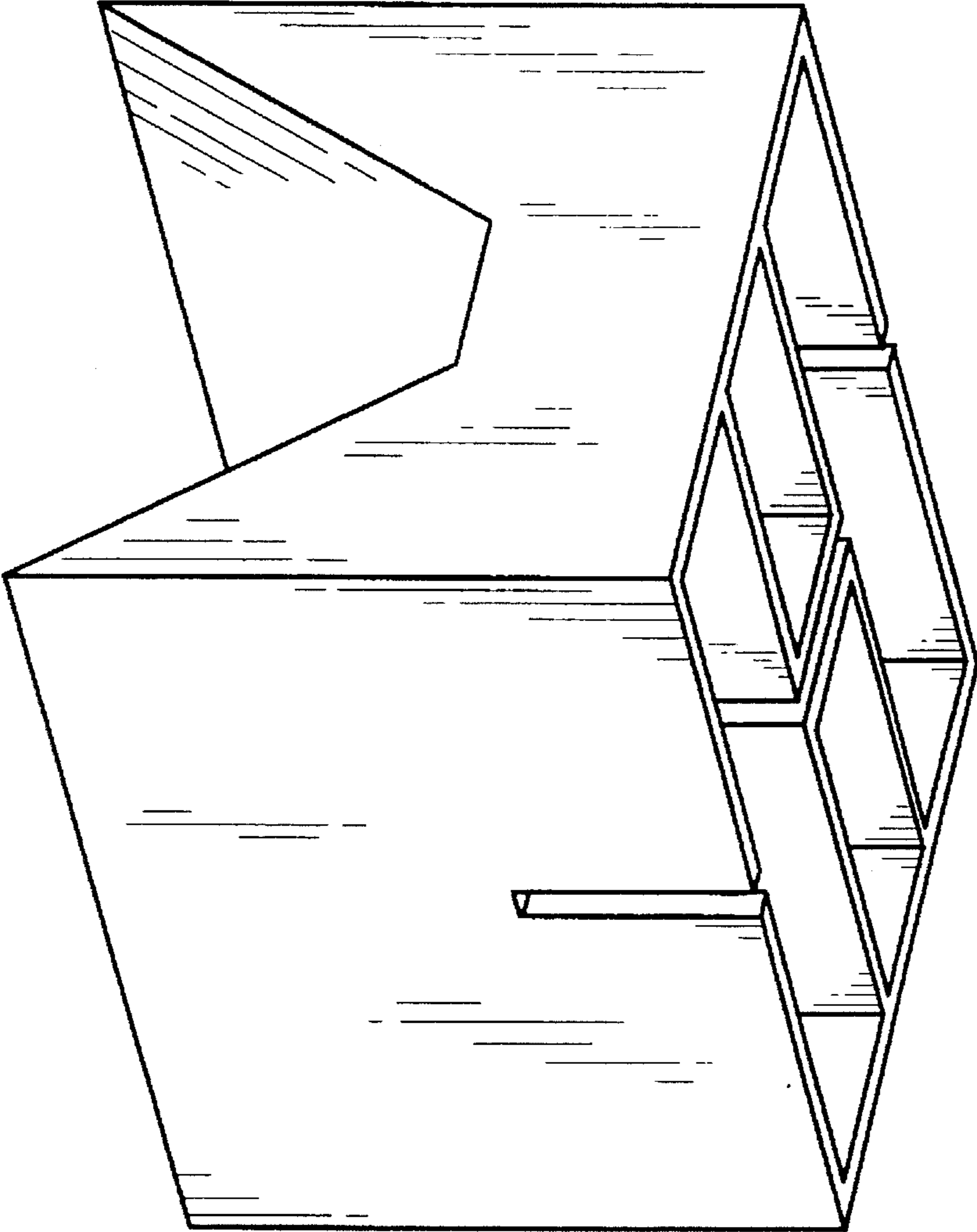


FIG. 6