



US00D367214S

United States Patent [19]

Bruggeman

[11] Patent Number: **Des. 367,214**

[45] Date of Patent: ****Feb. 20, 1996**

[54] **BENCH SUPPORT FOR HOLDING SNOWBOARDS AND SNOW SKIS WHILE PERFORMING MAINTENANCE TASKS**

[76] Inventor: **Jon J. Bruggeman**, 10711 Taylor St., NE., Blaine, Minn. 55434

[**] Term: **14 Years**

[21] Appl. No.: **30,967**

[22] Filed: **Nov. 14, 1994**

[52] U.S. Cl. **D8/74; D6/552**

[58] Field of Search **D6/552; D8/71-74; 269/1-2, 55, 86, 95, 97, 906**

[56] **References Cited**

U.S. PATENT DOCUMENTS

D. 234,245	2/1975	McGee	D8/74
D. 307,535	5/1990	Hsu	D8/74
3,843,110	10/1974	Smith	D8/74 X
4,002,238	1/1977	Wolf	269/97

Primary Examiner—Brian N. Vinson
Attorney, Agent, or Firm—Merchant, Gould, Smith, Edell, Welter & Schmidt

[57] **CLAIM**

The ornamental design for bench support for holding snowboards and snow skis while performing maintenance tasks, as shown and described.

DESCRIPTION

FIG. 1 is a perspective view of a bench support for holding snowboards and snow skis while performing maintenance tasks;

FIG. 2 is an elevation view of one side of the bench support, the opposite side being identical;

FIG. 3 is a top plan view of the bench support;

FIG. 4 is a bottom plan view of the bench support; and,

FIG. 5 is an elevation view of the bench support from one end thereof, the opposite end being identical.

1 Claim, 3 Drawing Sheets

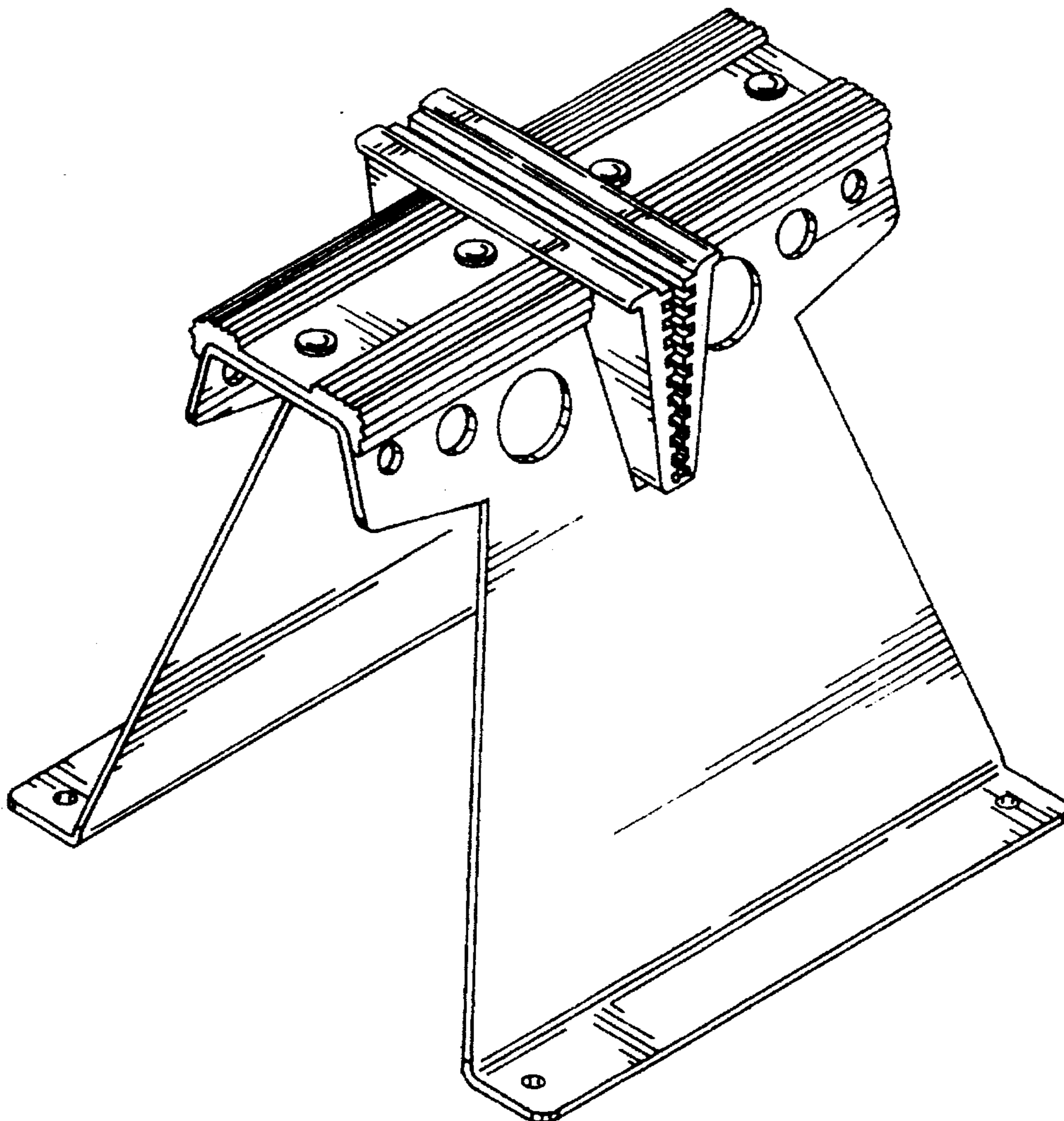


FIG. 1

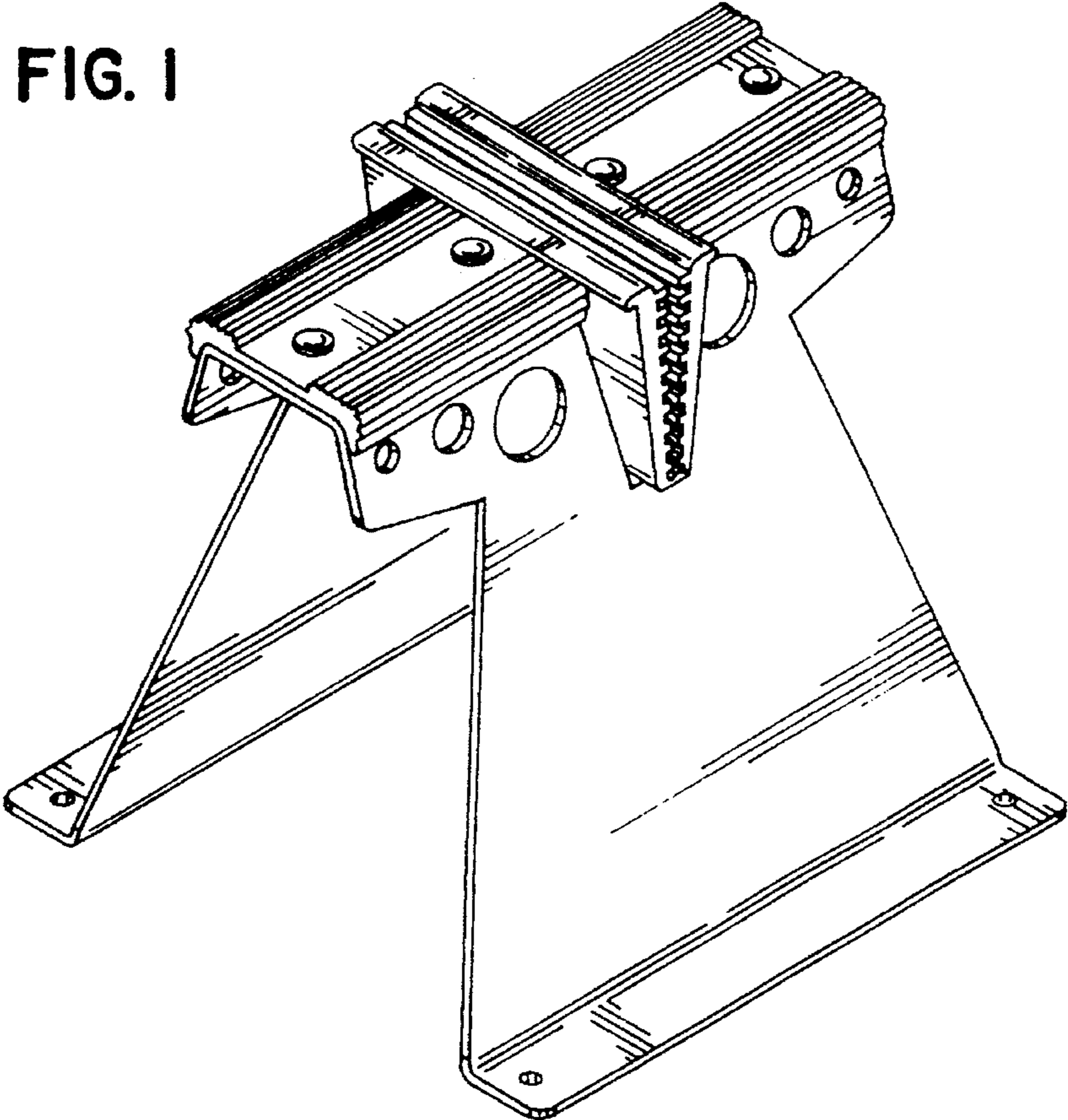


FIG. 2

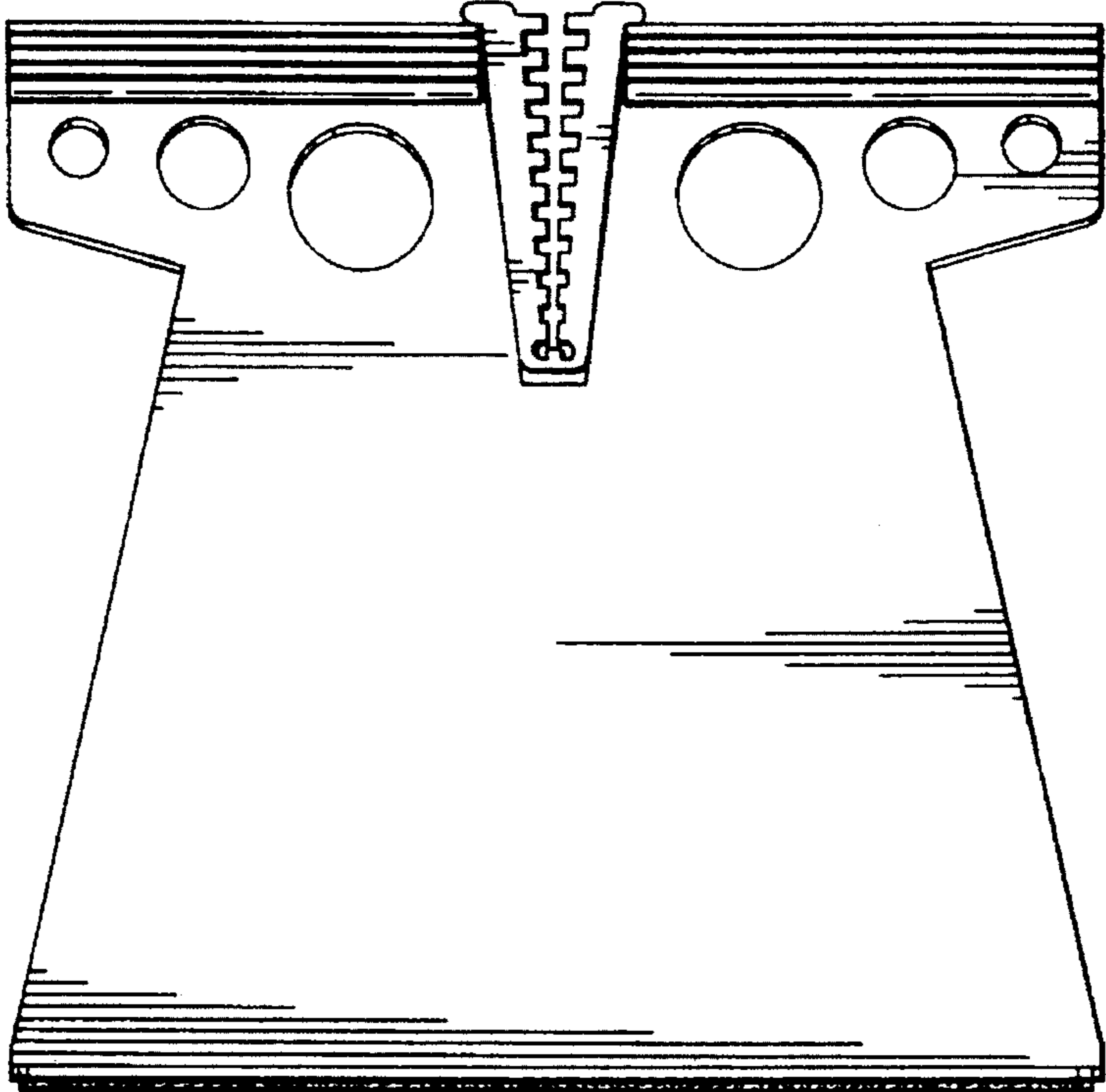


FIG. 3

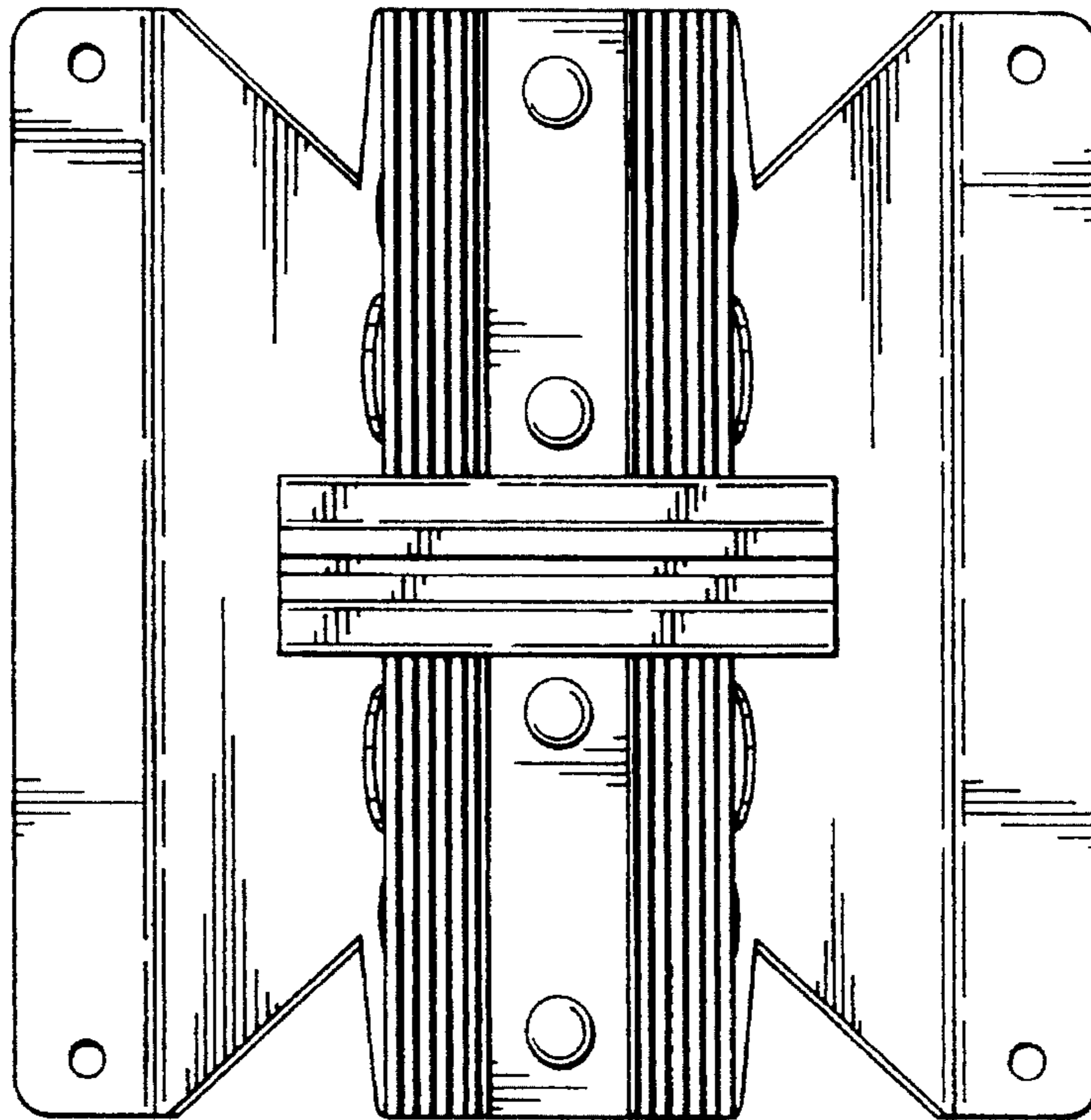


FIG. 4

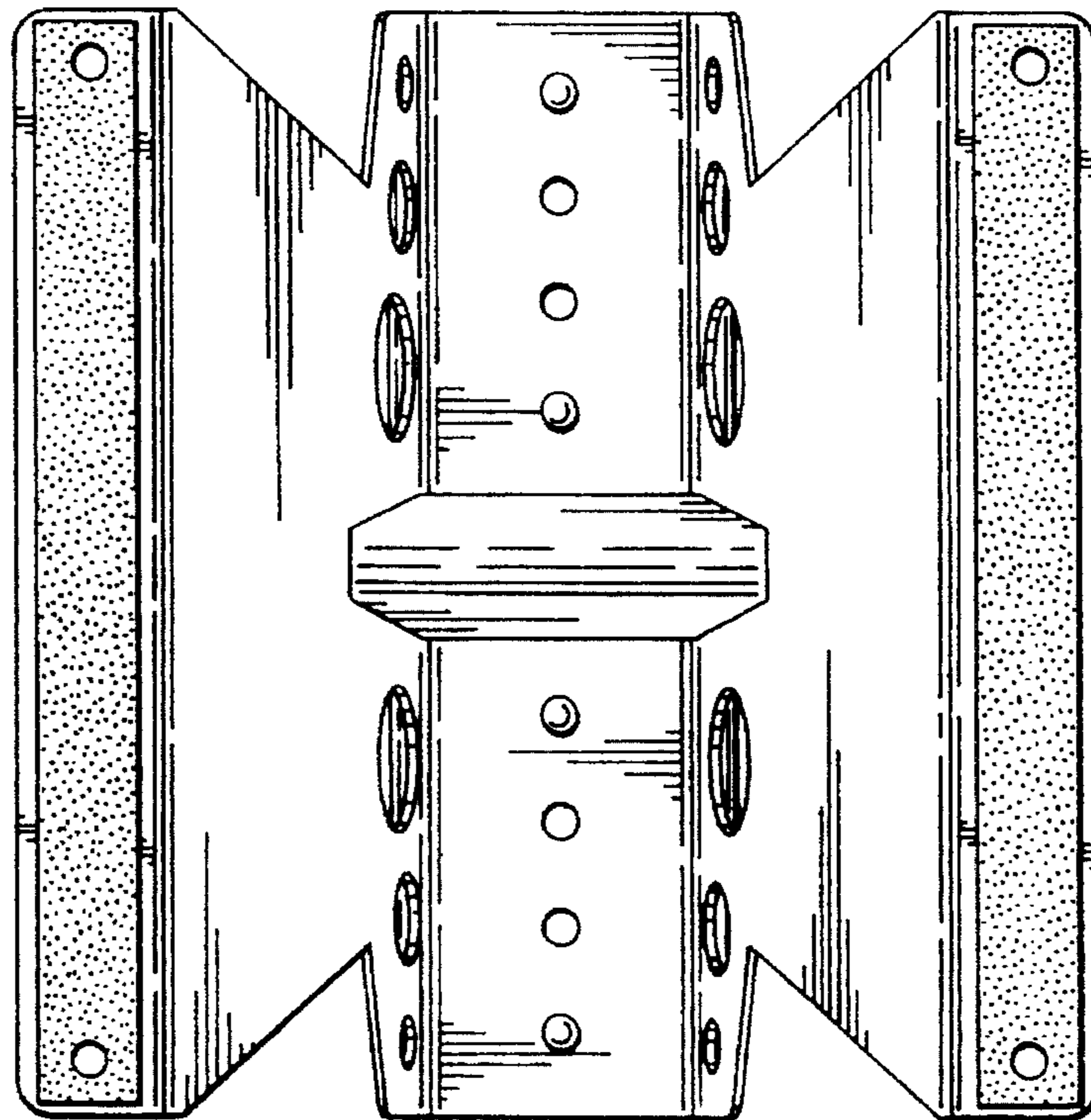


FIG. 5

