



US00D367213S

United States Patent [19]

[11] Patent Number: **Des. 367,213**

Azkona

[45] Date of Patent: ****Feb. 20, 1996**

[54] PIPE CUTTER

[75] Inventor: **Manuel Azkona**, Abadiano - Vizcaya, Spain

[73] Assignee: **Super-Ego Tools, S.A.**, Spain

[**] Term: **14 Years**

[21] Appl. No.: **19,733**

[22] Filed: **Mar. 9, 1994**

[52] U.S. Cl. **D8/60**

[58] Field of Search D8/60; 30/95, 30/96, 101, 102

| | | | |
|------------|--------|--------------|--------|
| D. 192,447 | 3/1962 | Ayer | D8/60 |
| 2,630,029 | 3/1953 | Franck | 30/102 |
| 3,022,575 | 2/1962 | Wright | 30/102 |
| 3,041,723 | 7/1962 | Franck | 30/102 |
| 3,171,199 | 3/1965 | Meese | 30/102 |

Primary Examiner—Ted Shooman
Assistant Examiner—Philip Hyder
Attorney, Agent, or Firm—Lucas & Just

[57] CLAIM

The ornamental design for a pipe cutter, as shown and described.

DESCRIPTION

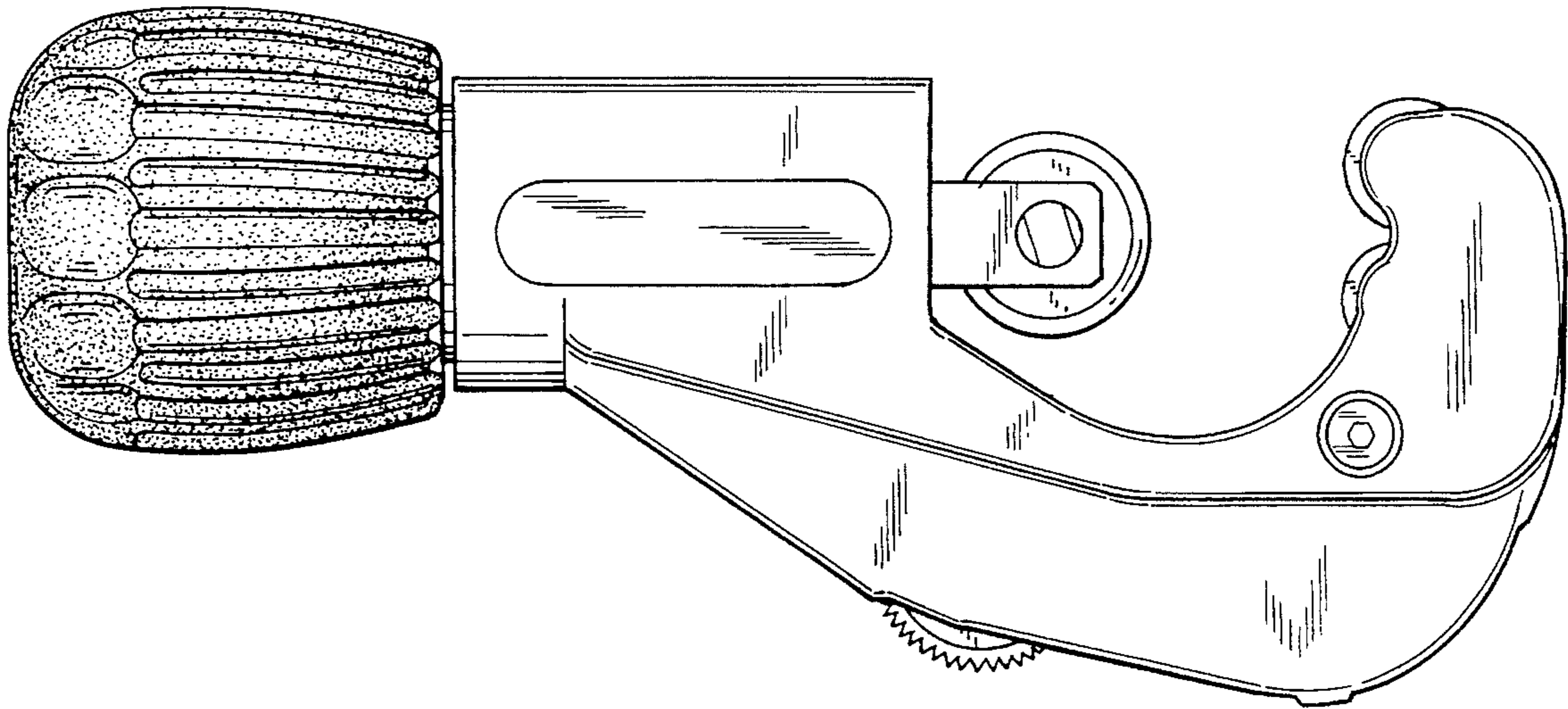
FIG. 1 is a front view of my pipe cutter design; FIG. 2 is a rear view of my pipe cutter design; FIG. 3 is a right-side view of my pipe cutter design; FIG. 4 is a left-side view of my pipe cutter design; FIG. 5 is a top view of my pipe cutter design; and, FIG. 6 is a bottom view of my pipe cutter design.

1 Claim, 6 Drawing Sheets

[56] References Cited

U.S. PATENT DOCUMENTS

| | | | |
|------------|--------|---------------|-------|
| D. 99,190 | 4/1936 | Dobrick | D8/60 |
| D. 158,536 | 5/1950 | Wolcott | D8/60 |
| D. 161,438 | 1/1951 | Franck | D8/60 |
| D. 161,902 | 2/1951 | Cann | D8/60 |
| D. 191,011 | 8/1961 | Noveske | D8/60 |



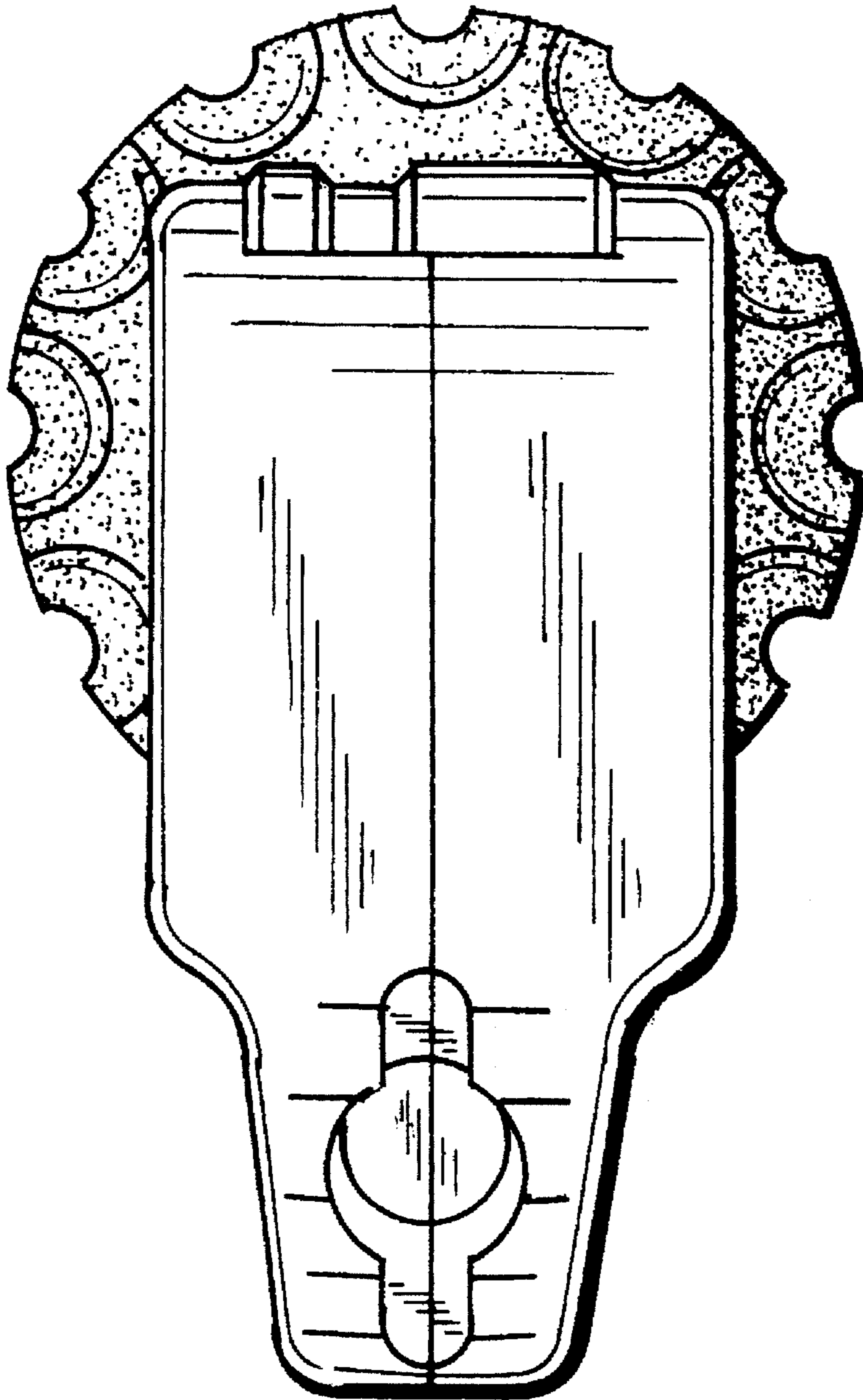


FIG. 1

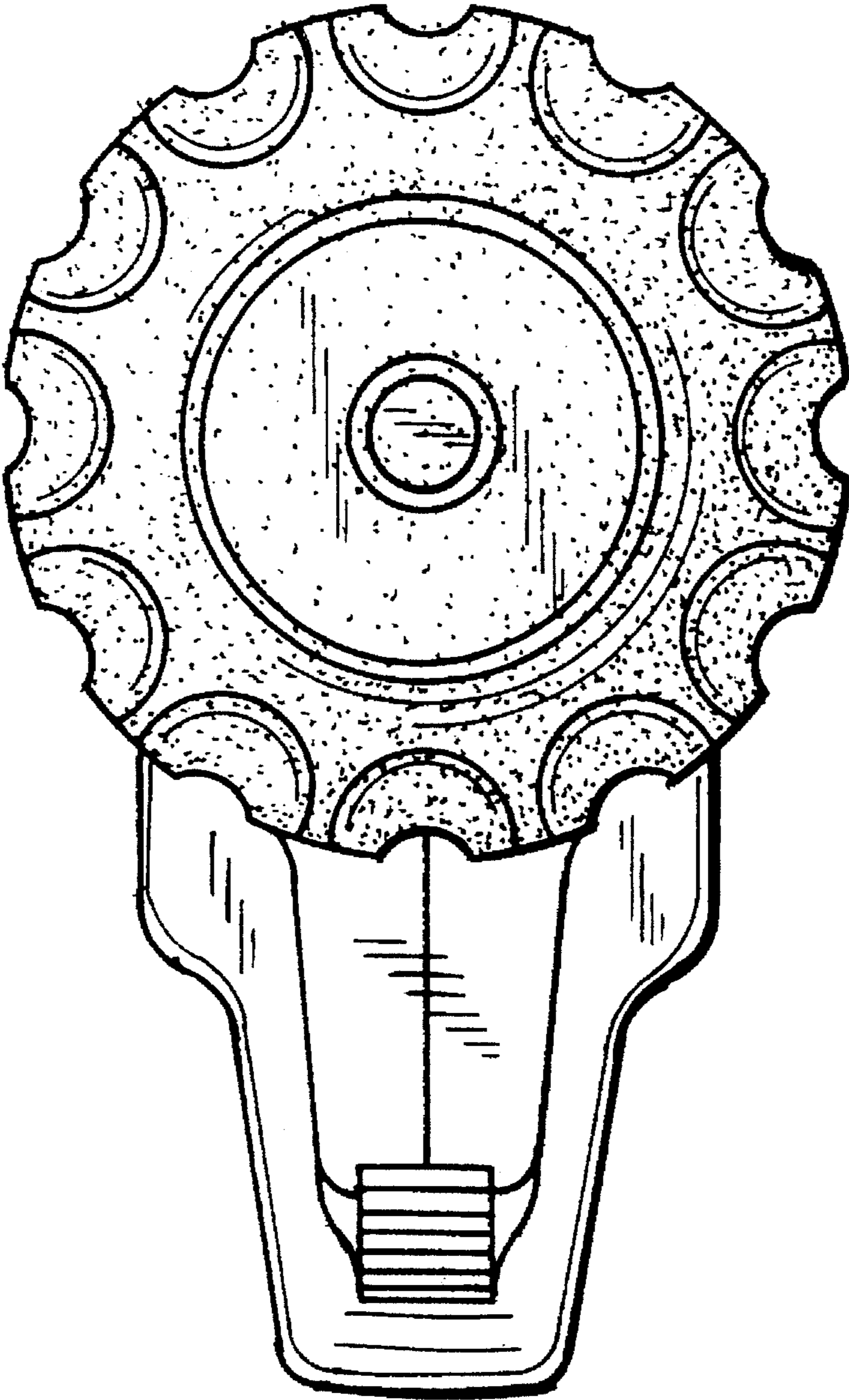


FIG. 2

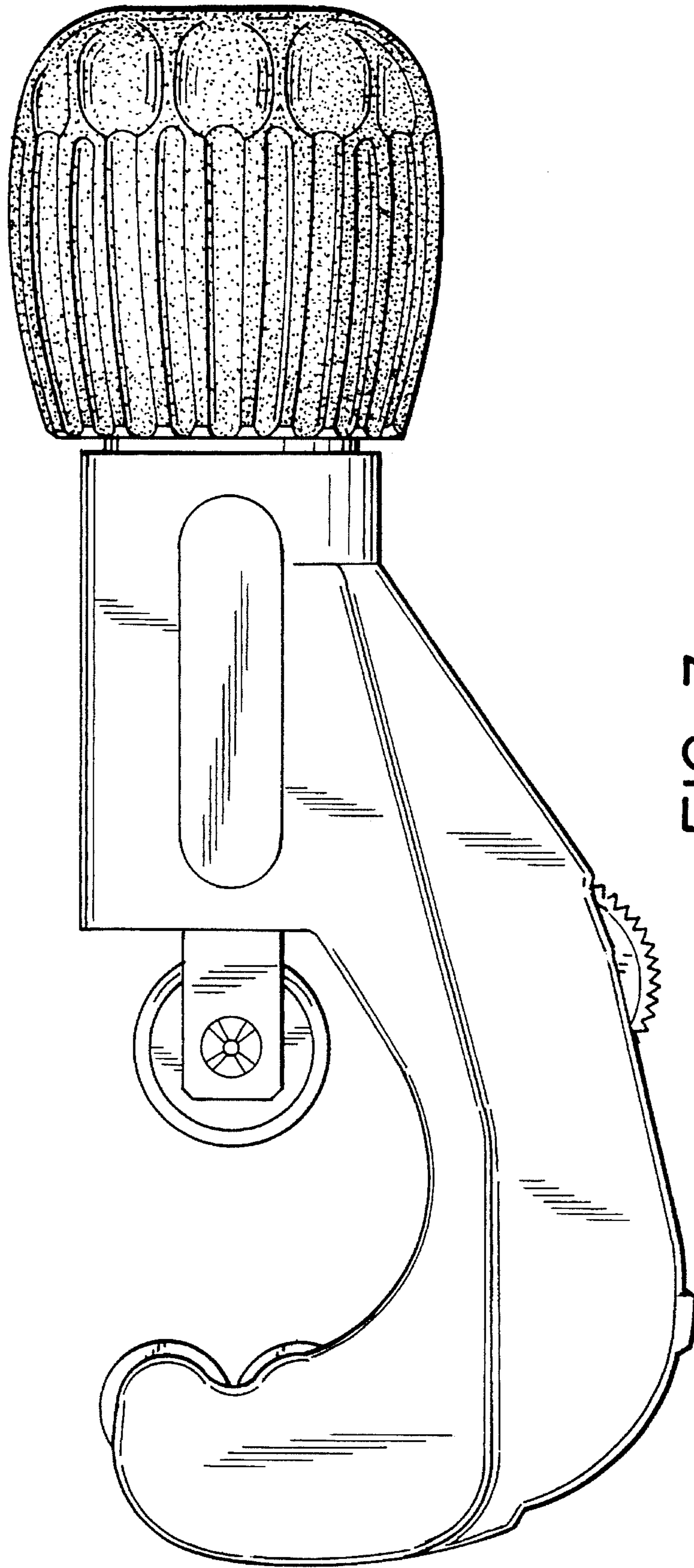


FIG. 3

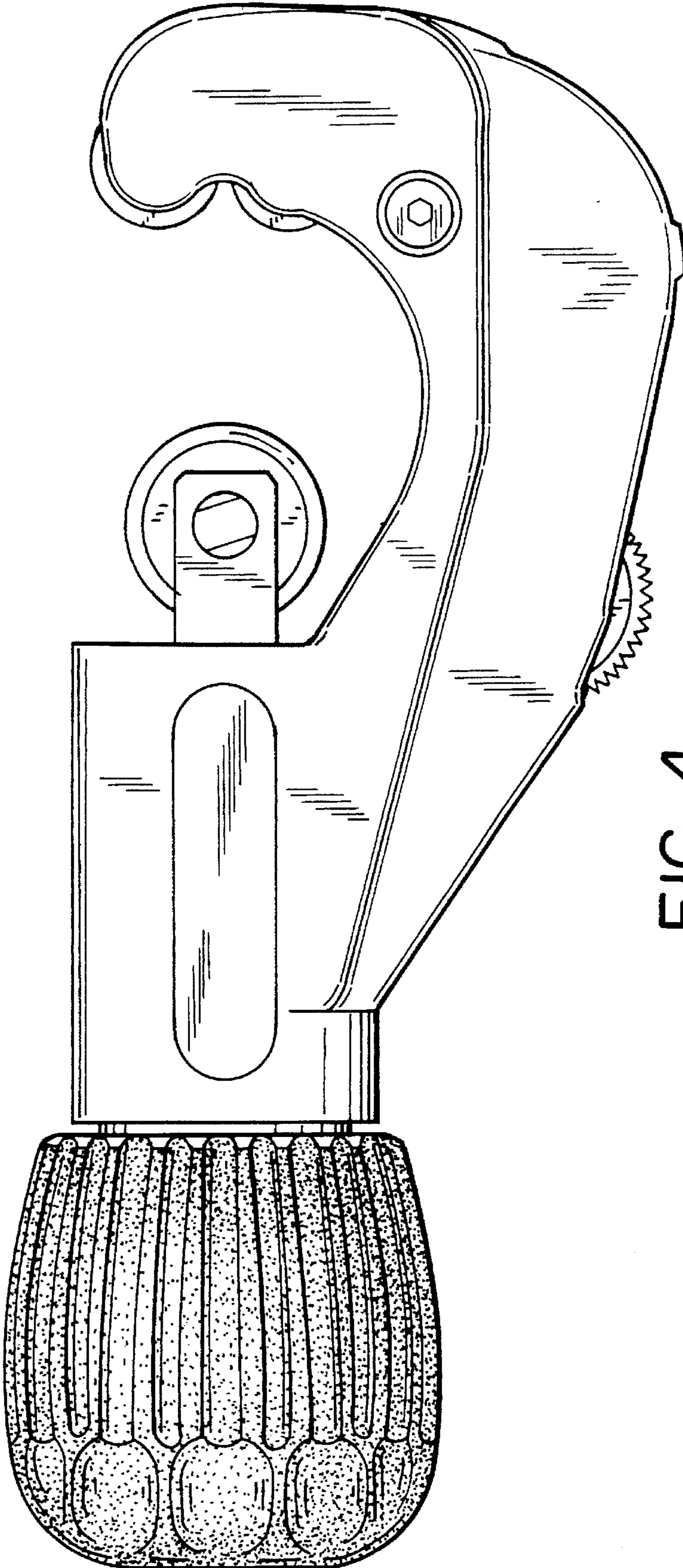


FIG. 4

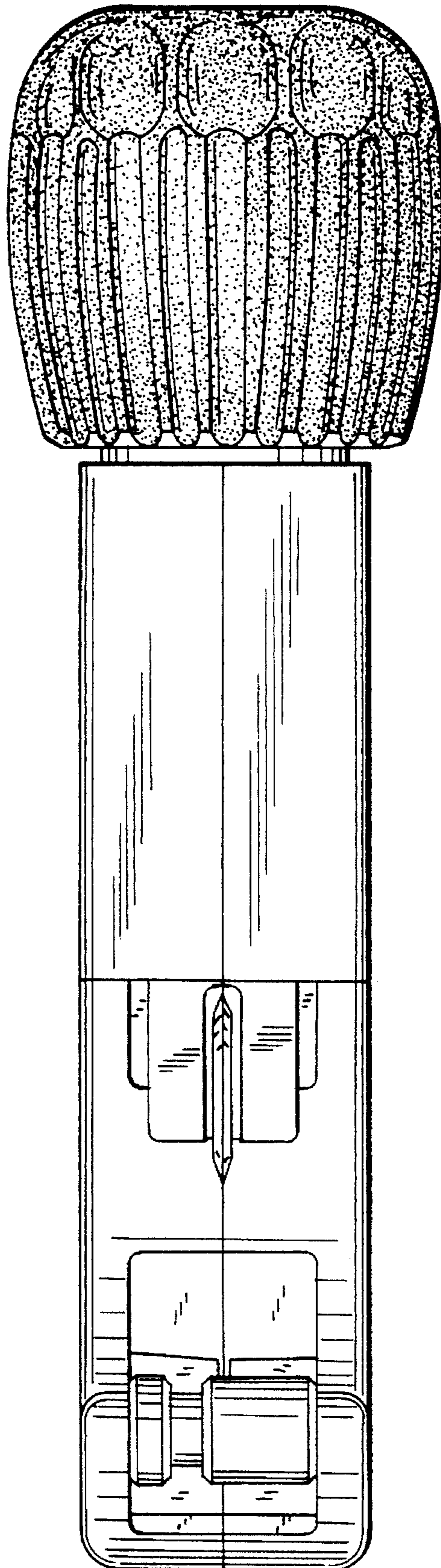


FIG. 5

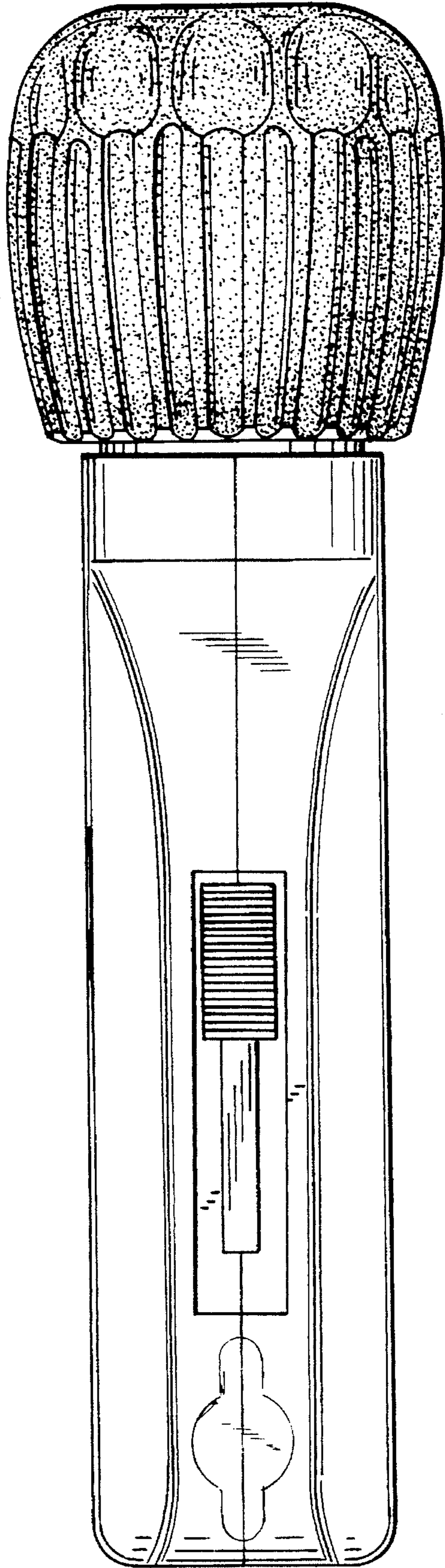


FIG. 6