



US00D367212S

# United States Patent [19]

[11] Patent Number: **Des. 367,212**

**Blacha**

[45] Date of Patent: **\*\*Feb. 20, 1996**

[54] **CABLE FASTENER IMPACT DRIVER TOOL**

*Assistant Examiner*—Richelle Shelton  
*Attorney, Agent, or Firm*—John P. O'Banion

[76] Inventor: **George J. Blacha**, 2575 Meadow La.,  
Cameron Park, Calif. 95682

[57] **CLAIM**

[\*\*] Term: **14 Years**

The ornamental design for a cable fastener impact driver tool, as shown and described.

[21] Appl. No.: **28,514**

**DESCRIPTION**

[22] Filed: **Aug. 14, 1994**

[52] U.S. Cl. .... **D8/51; D8/14**

[58] Field of Search ..... D8/14, 51; 29/270,  
29/278, 758, 764; 81/53.1, 119, 177.1,  
177.2, 436; 294/19.1; 227/113, 147

FIG. 1 is a perspective view of a cable fastener impact driver tool showing my new design;

FIG. 2 is a front view of the cable fastener impact driver tool of FIG. 1;

FIG. 3 is a rear view of the cable fastener impact driver tool of FIG. 1;

FIG. 4 is a side view in elevation of the cable fastener impact driver tool of FIG. 1, the opposite side, top view and bottom view being identical; and,

FIG. 5 is an enlarged partial and fragmented view of the cable fastener impact driver tool of FIG. 1.

[56] **References Cited**

**U.S. PATENT DOCUMENTS**

D. 328,844	8/1992	Fritz	.....	D8/14
2,624,879	1/1953	Baird	.....	227/147
3,036,482	5/1962	Kenworthy et al.	.....	227/147 X
5,123,584	6/1992	Harrison	.....	227/147

*Primary Examiner*—Ted Shooman

**1 Claim, 2 Drawing Sheets**

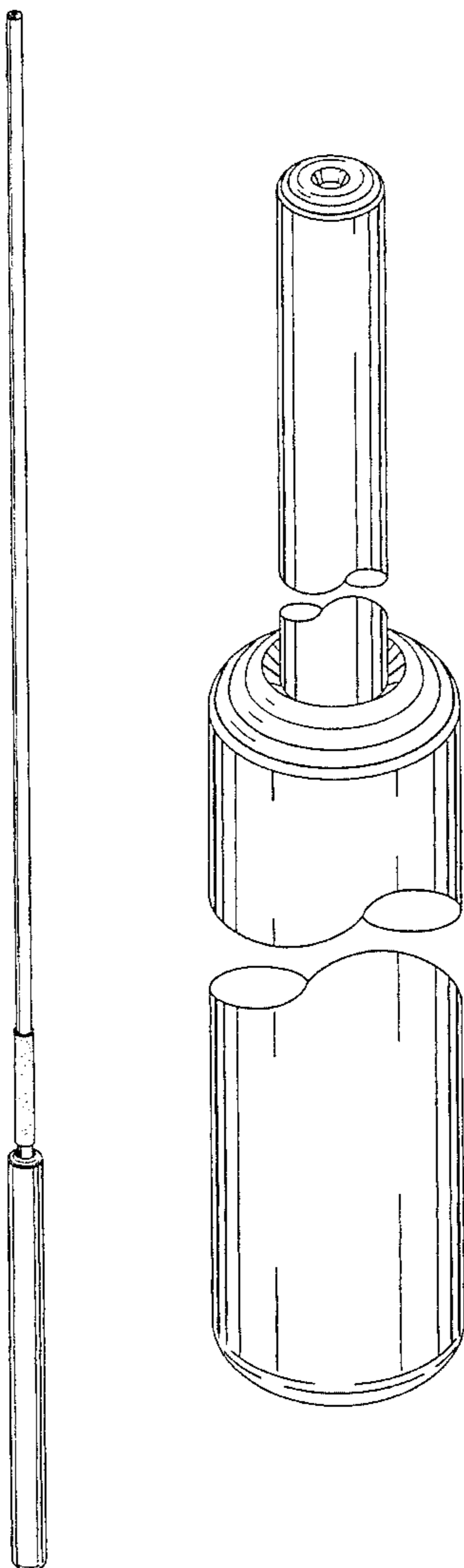


FIG. - 1

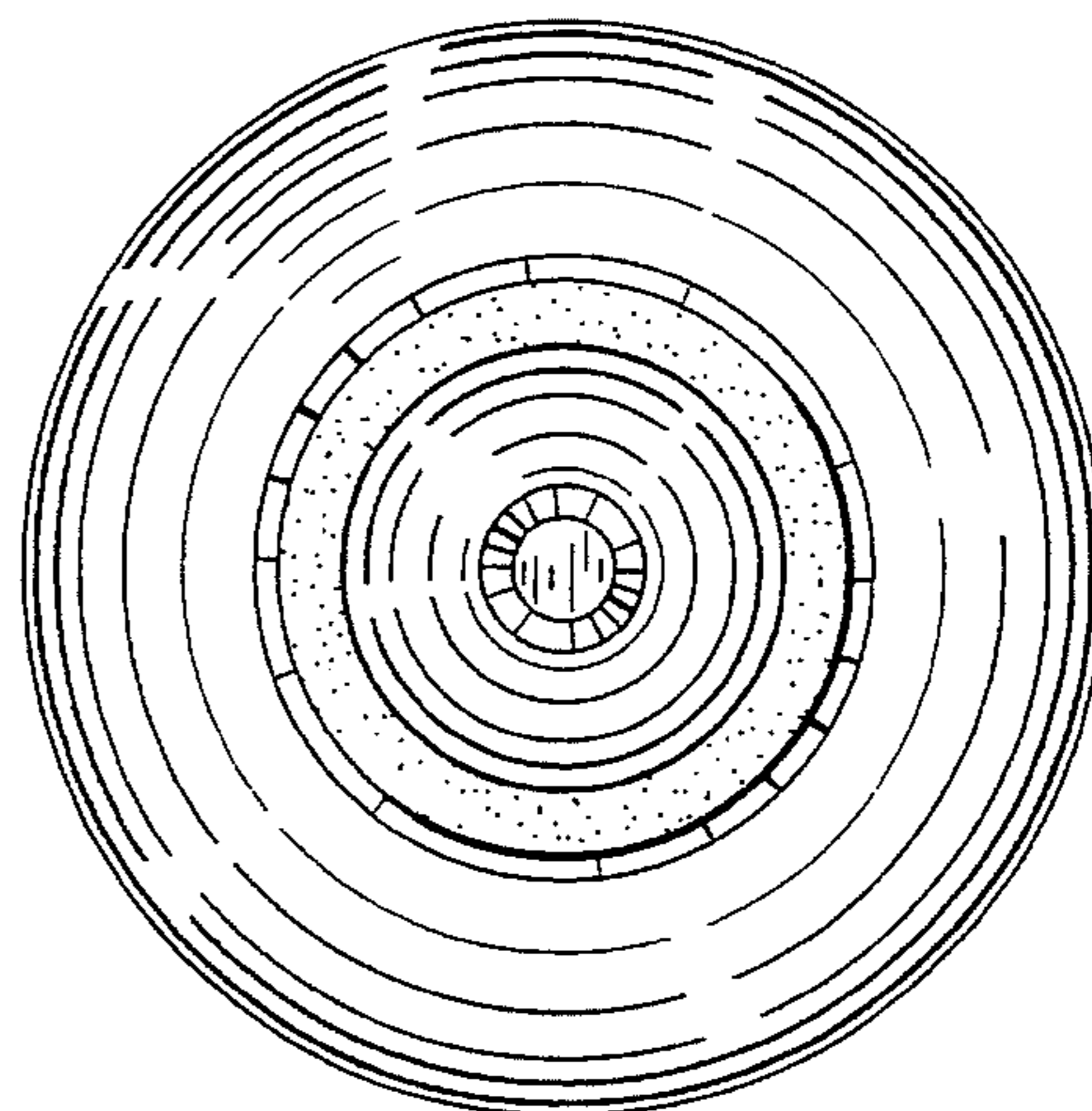
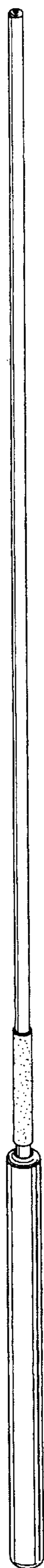


FIG. - 2

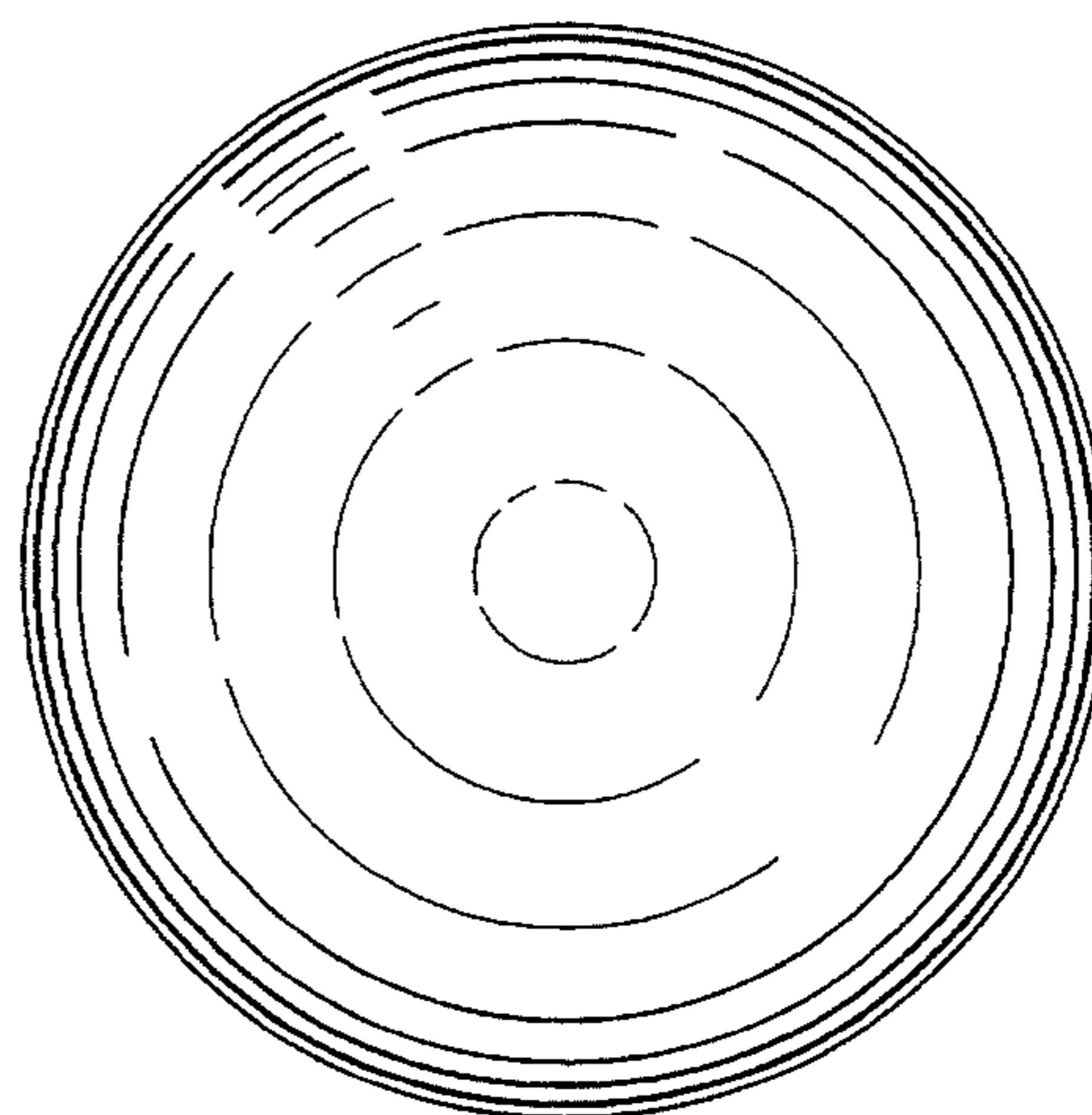


FIG. - 3

FIG. - 4

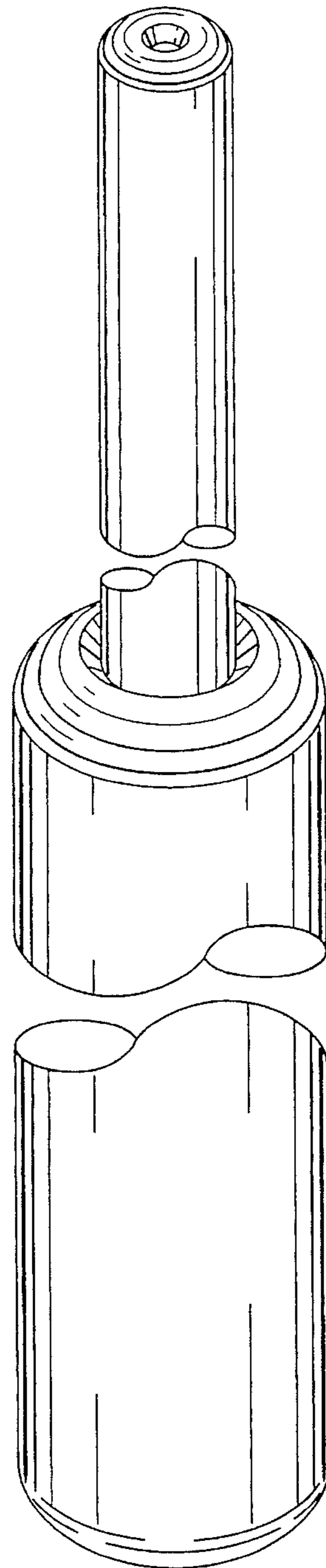
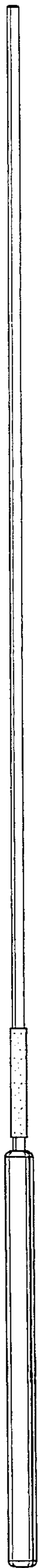


FIG. - 5