



US00D367210S

# United States Patent [19]

[11] Patent Number: **Des. 367,210**

McKenny

[45] Date of Patent: **\*\*Feb. 20, 1996**

[54] **AUTOMOBILE THERMOS CADDY**

D. 291,168	8/1987	Cranford	.....	D7/620
1,782,962	11/1930	Hobbs	.....	215/395 X
3,462,109	8/1969	Forbes	.....	248/311.2 X

[76] Inventor: **Edmund A. McKenny**, S11 C34 RR 3, Kamloops, British Columbia, Canada, V2C-5K1

*Primary Examiner*—Terry A. Wallace

[\*\*] Term: **14 Years**

[57] **CLAIM**

[21] Appl. No.: **35,538**

The ornamental design for a automobile thermos caddy, as shown and described.

[22] Filed: **Mar. 1, 1995**

**DESCRIPTION**

[52] U.S. Cl. .... **D7/620**

[58] **Field of Search** ..... D7/619-625; D12/411, D12/419; 211/71, 74, 75, 87; 215/395, 396; 220/737, 741, 742; 248/309.1, 310, 311.2, 313, 317

FIG. 1 is a front elevational view of the automobile thermos caddy showing my new design; FIG. 2 is a rear elevational view thereof; FIG. 3 is a left side elevational view thereof; FIG. 4 is a right side elevational view thereof; FIG. 5 is a top plan view thereof; FIG. 6 is a bottom plan view thereof; and, FIG. 7 is an exploded isometric view thereof.

[56] **References Cited**

**U.S. PATENT DOCUMENTS**

D. 192,892	5/1962	DeFelice	.....	D7/620
D. 251,174	2/1979	Blever	.....	D7/620

**1 Claim, 4 Drawing Sheets**

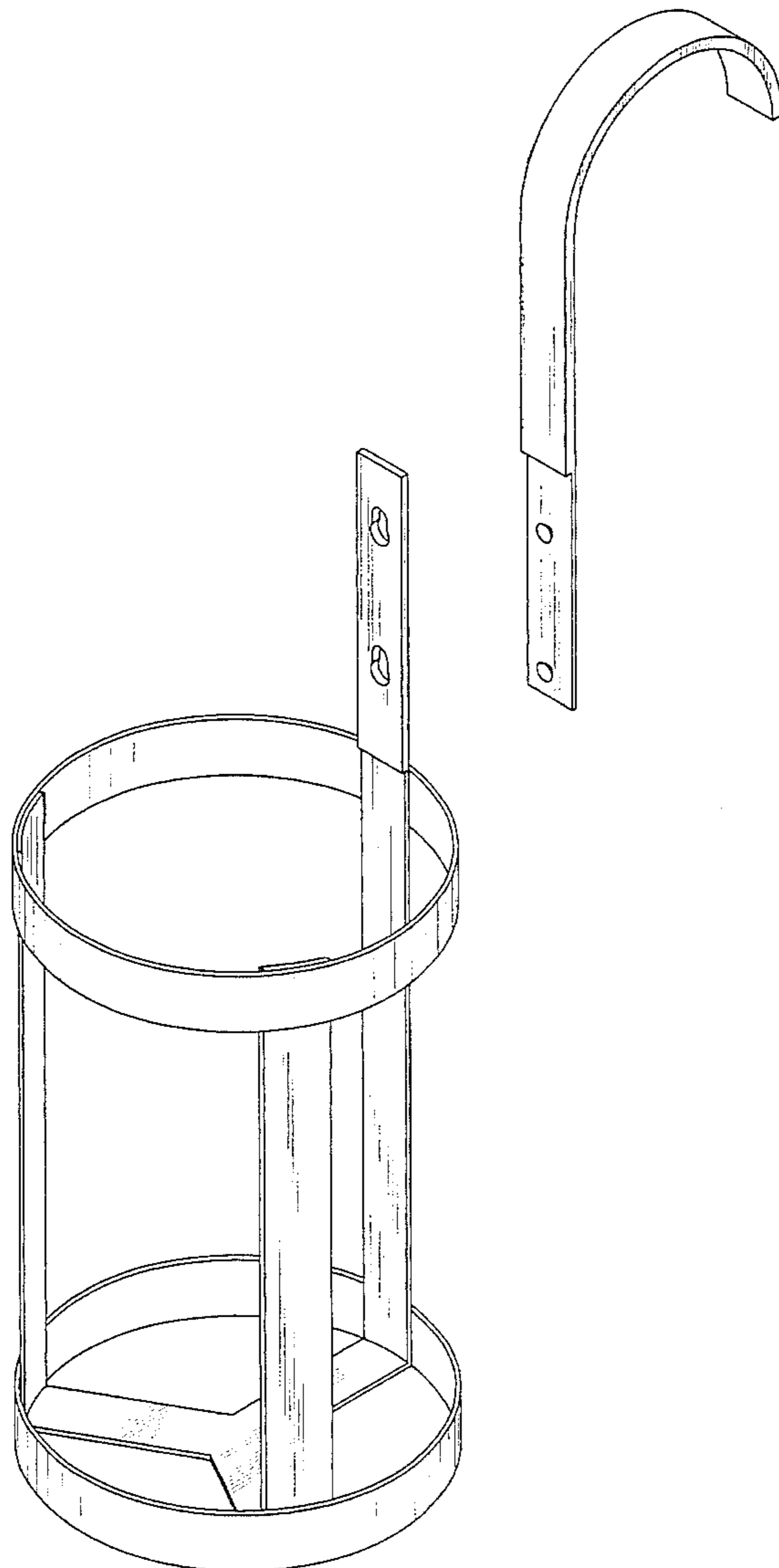


FIG. 1

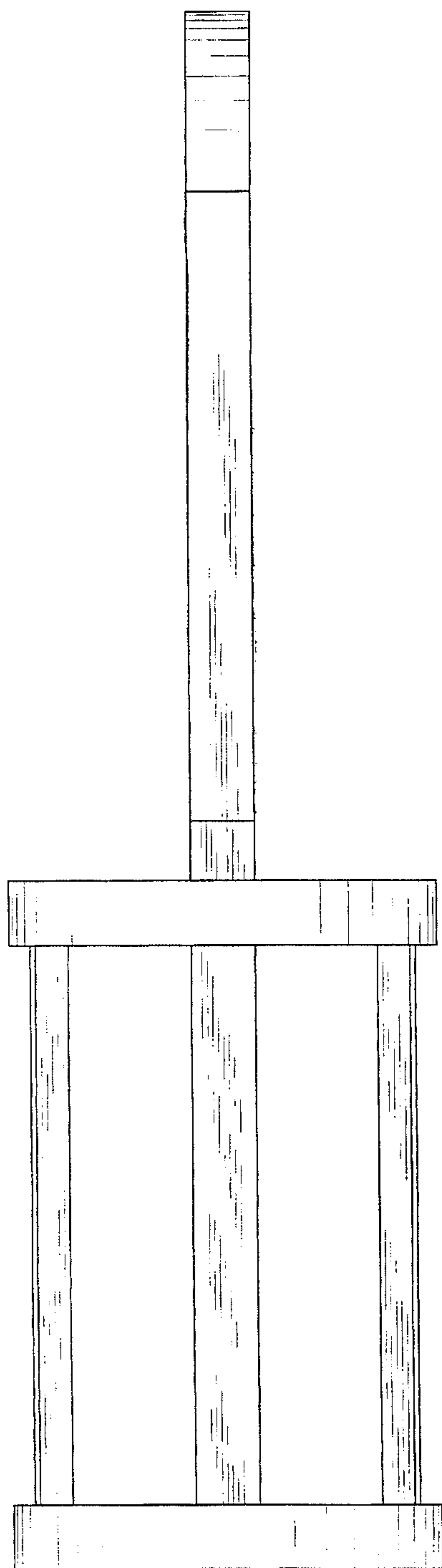
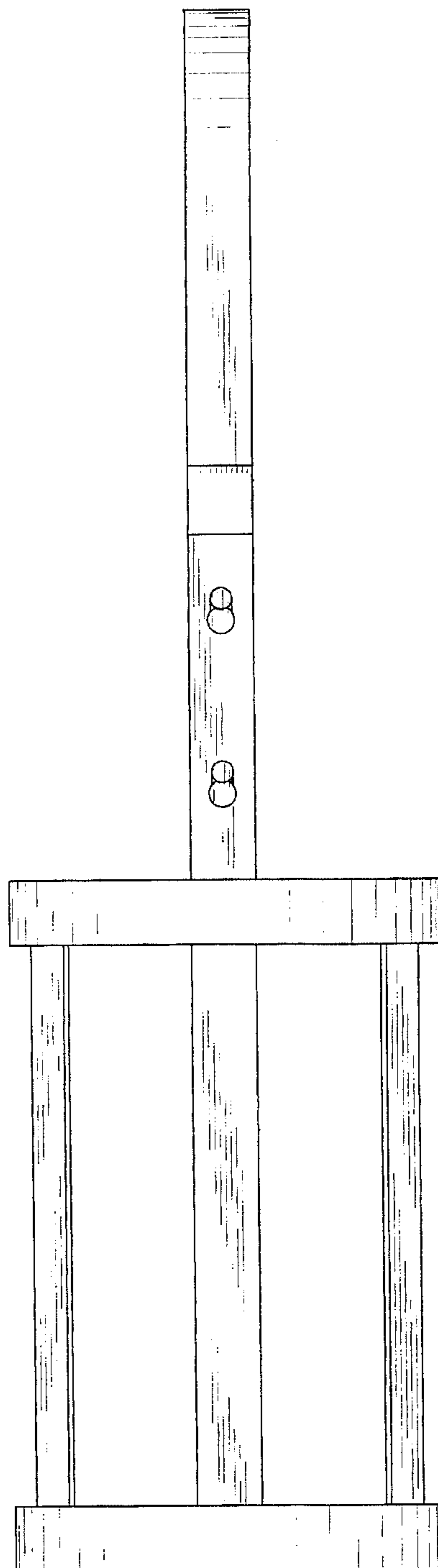


FIG. 2



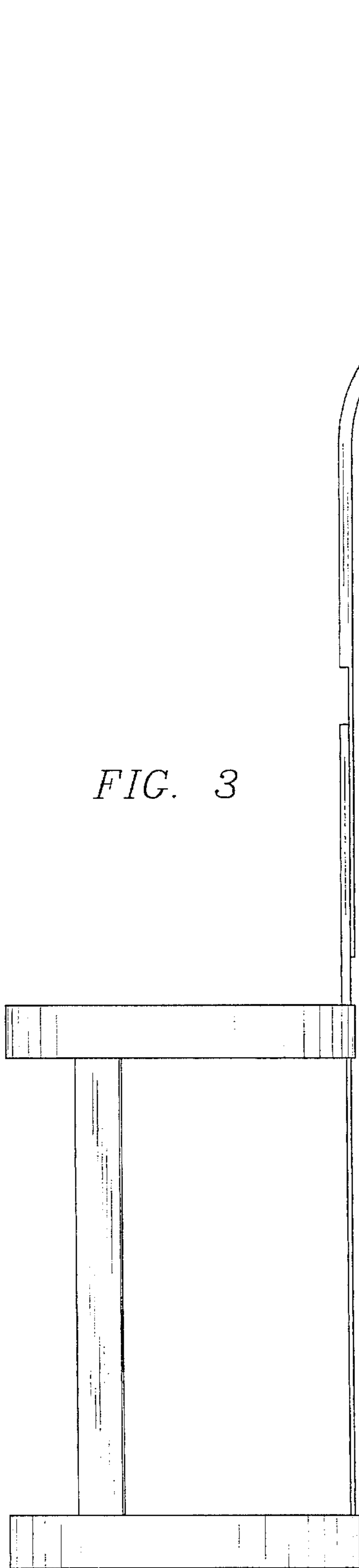


FIG. 3

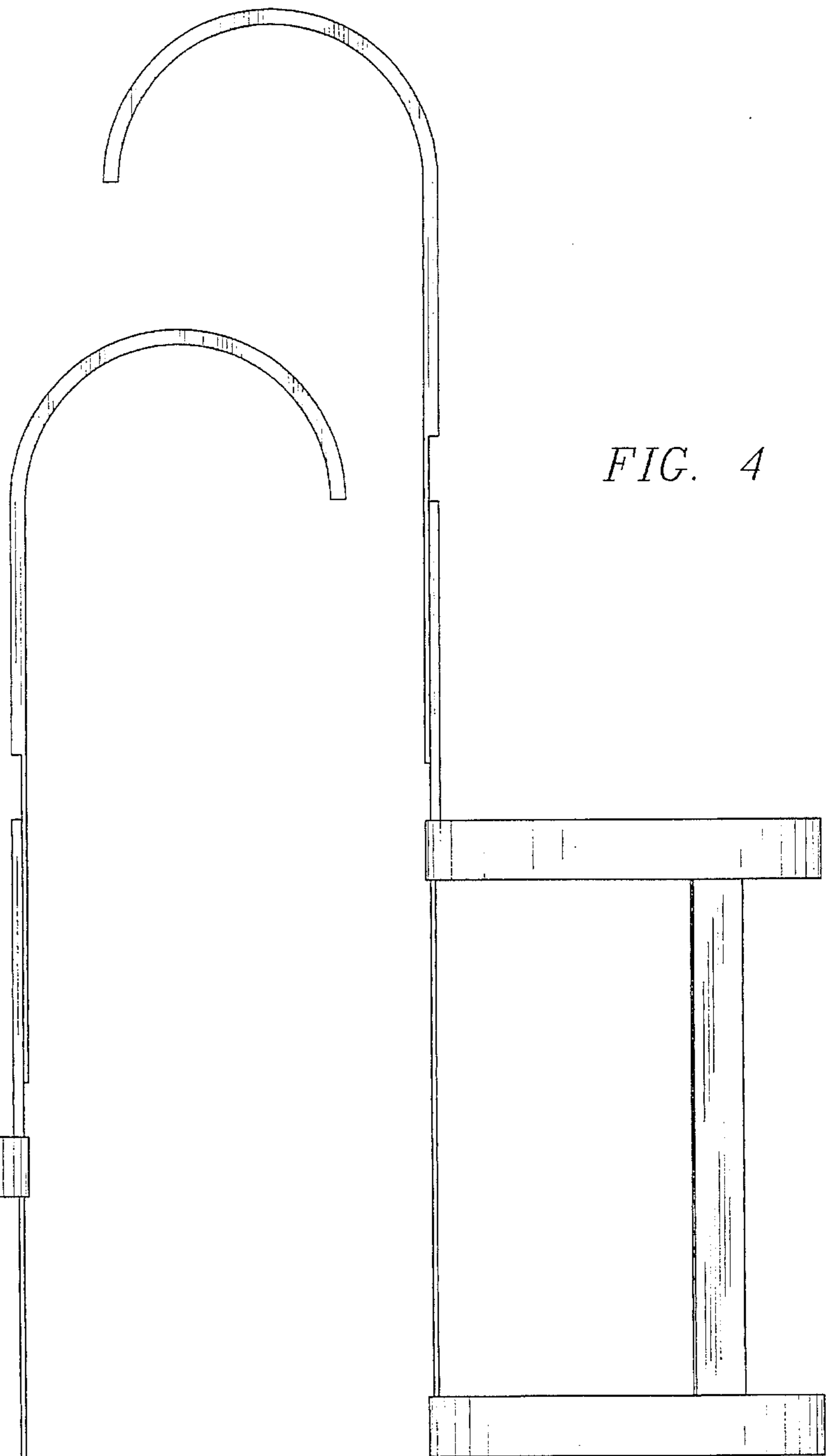


FIG. 4

FIG. 5

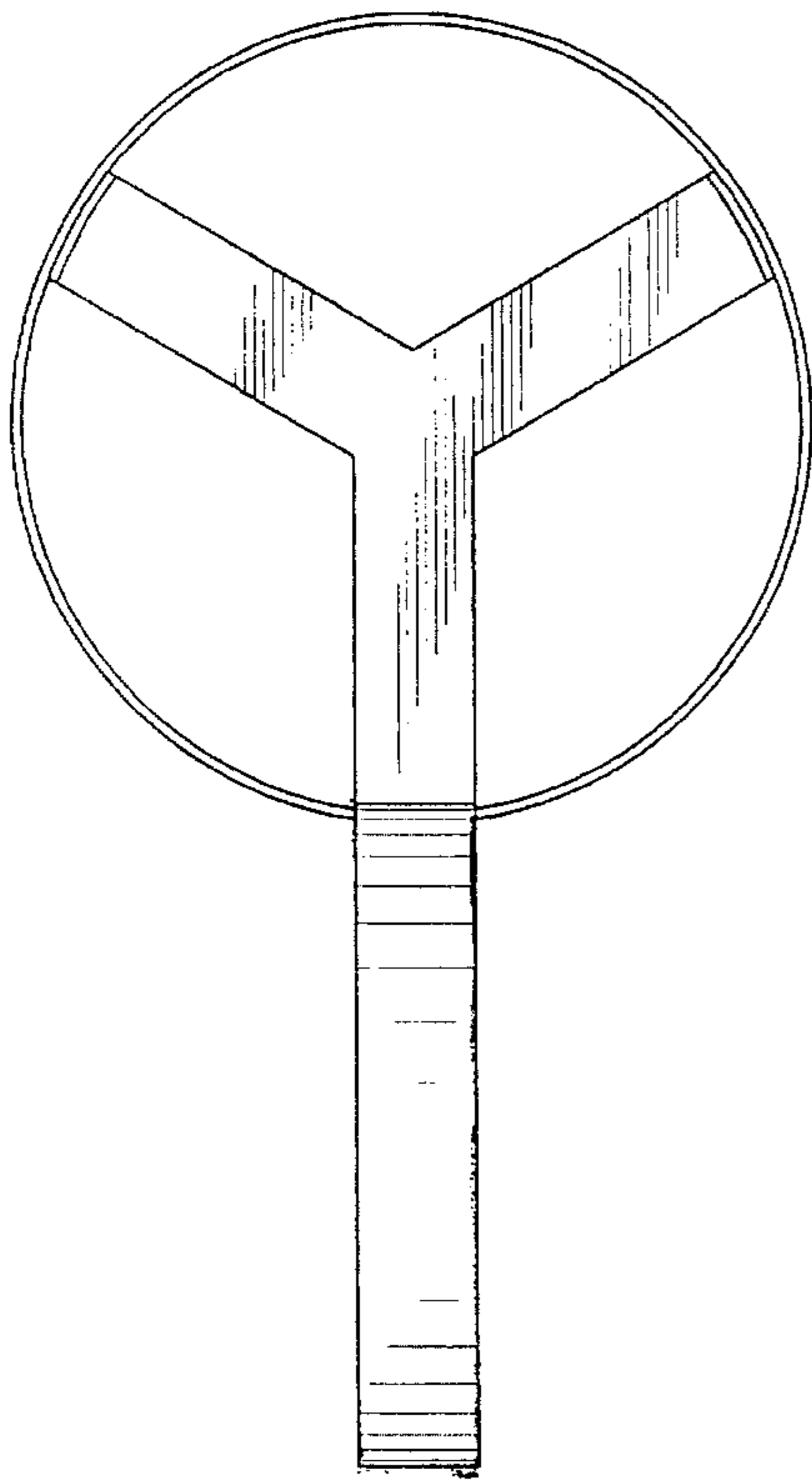


FIG. 6

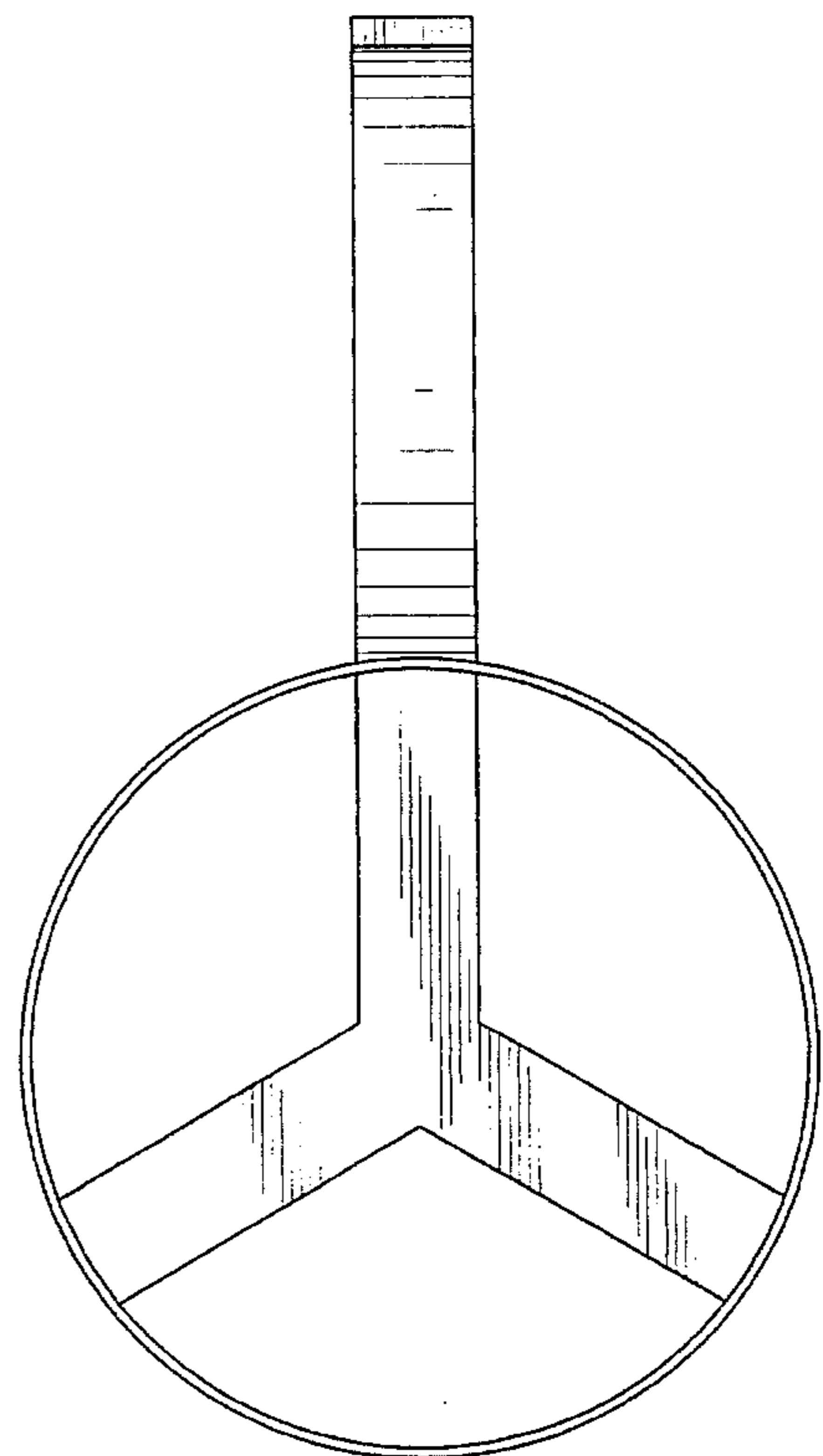


FIG. 7

