



US00D367209S

# United States Patent [19]

Flint et al.

[11] Patent Number: **Des. 367,209**

[45] Date of Patent: **\*\*Feb. 20, 1996**

[54] **CUP HOLDER**

[76] Inventors: **Clayton P. Flint**, 12712 NE. 120th St., #G4, Kirkland, Wash. 98034; **Phillip E. Hearron**, 802 Speyers Rd., Selah, Wash. 98942

[\*\*] Term: **14 Years**

[21] Appl. No.: **31,313**

[22] Filed: **Nov. 22, 1994**

[52] U.S. Cl. .... **D7/620**

[58] Field of Search ..... D7/619-625; D6/512, D6/535; 224/42.46; 211/71, 74, 85; 248/311.2, 312.1

[56] **References Cited**

**U.S. PATENT DOCUMENTS**

1,086,541	2/1914	Lailer .	
2,279,442	4/1942	Burns et al. ....	248/311
2,628,054	2/1953	Fazakerley .....	248/311
2,633,278	3/1953	Muniz .....	224/42.46
2,763,413	9/1956	Felton .....	224/42.46
4,892,281	1/1990	Difilippo et al. ....	248/311.2

Primary Examiner—Terry A. Wallace  
Attorney, Agent, or Firm—Vance & Romero

[57] **CLAIM**

The ornamental design for a cup holder, as shown and described.

**DESCRIPTION**

FIG. 1 is a perspective view of a cup holder showing our new design;  
 FIG. 2 is a front elevation view thereof;  
 FIG. 3 is a rear elevation view thereof;  
 FIG. 4 is a left side elevation view thereof;  
 FIG. 5 is a right side elevation view thereof;  
 FIG. 6 is a top plan view thereof;  
 FIG. 7 is a bottom plan view thereof;  
 FIG. 8 is a perspective view thereof in a closed position;  
 FIG. 9 is a bottom plan view of FIG. 8;  
 FIG. 10 is a top plan view of FIG. 8;  
 FIG. 11 is a left side elevation view of FIG. 8;  
 FIG. 12 is a right side elevation view of FIG. 8;  
 FIG. 13 is a rear elevation view of FIG. 8; and,  
 FIG. 14 is a front elevation view of FIG. 8.

**1 Claim, 3 Drawing Sheets**

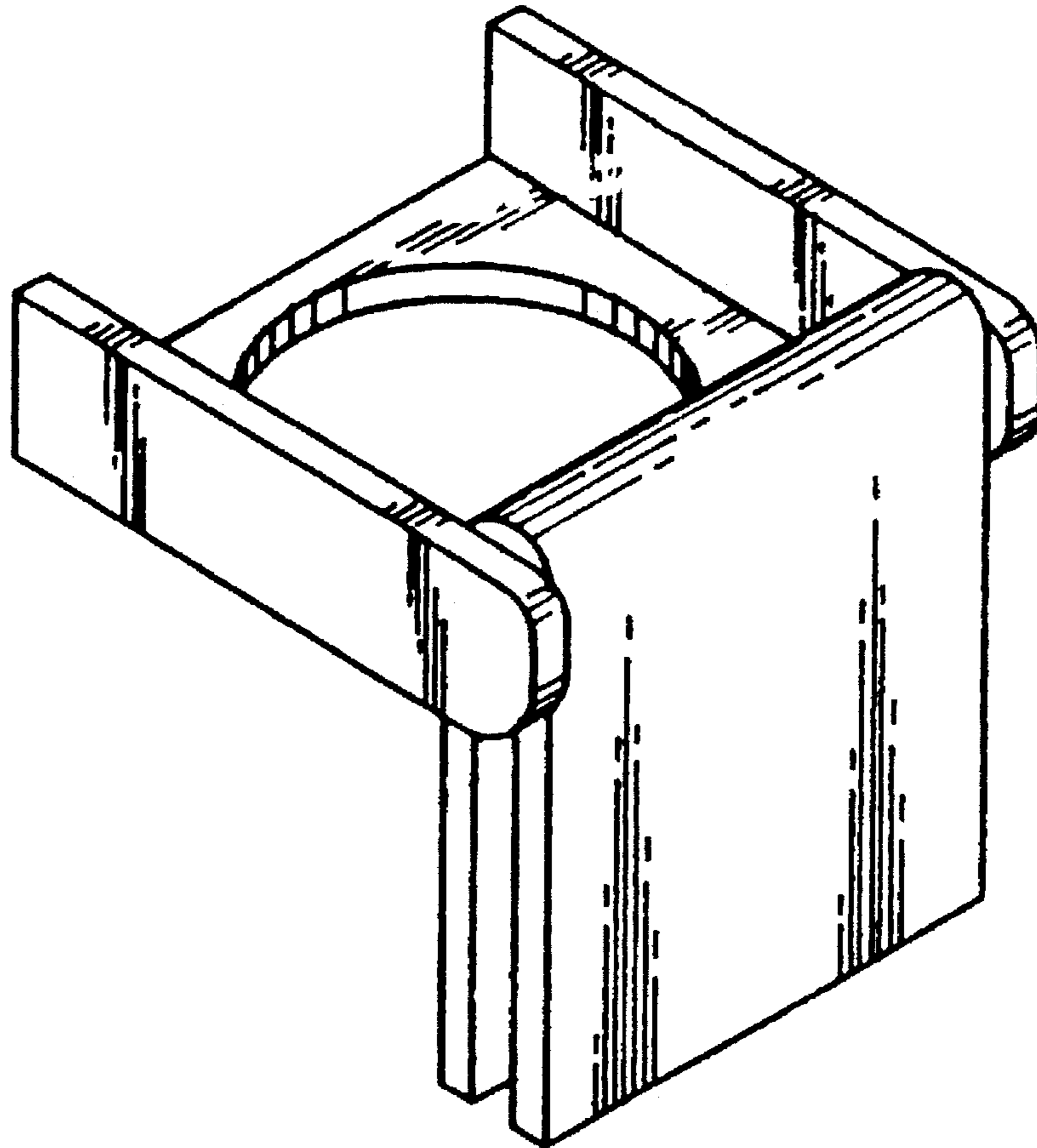


FIG. 1

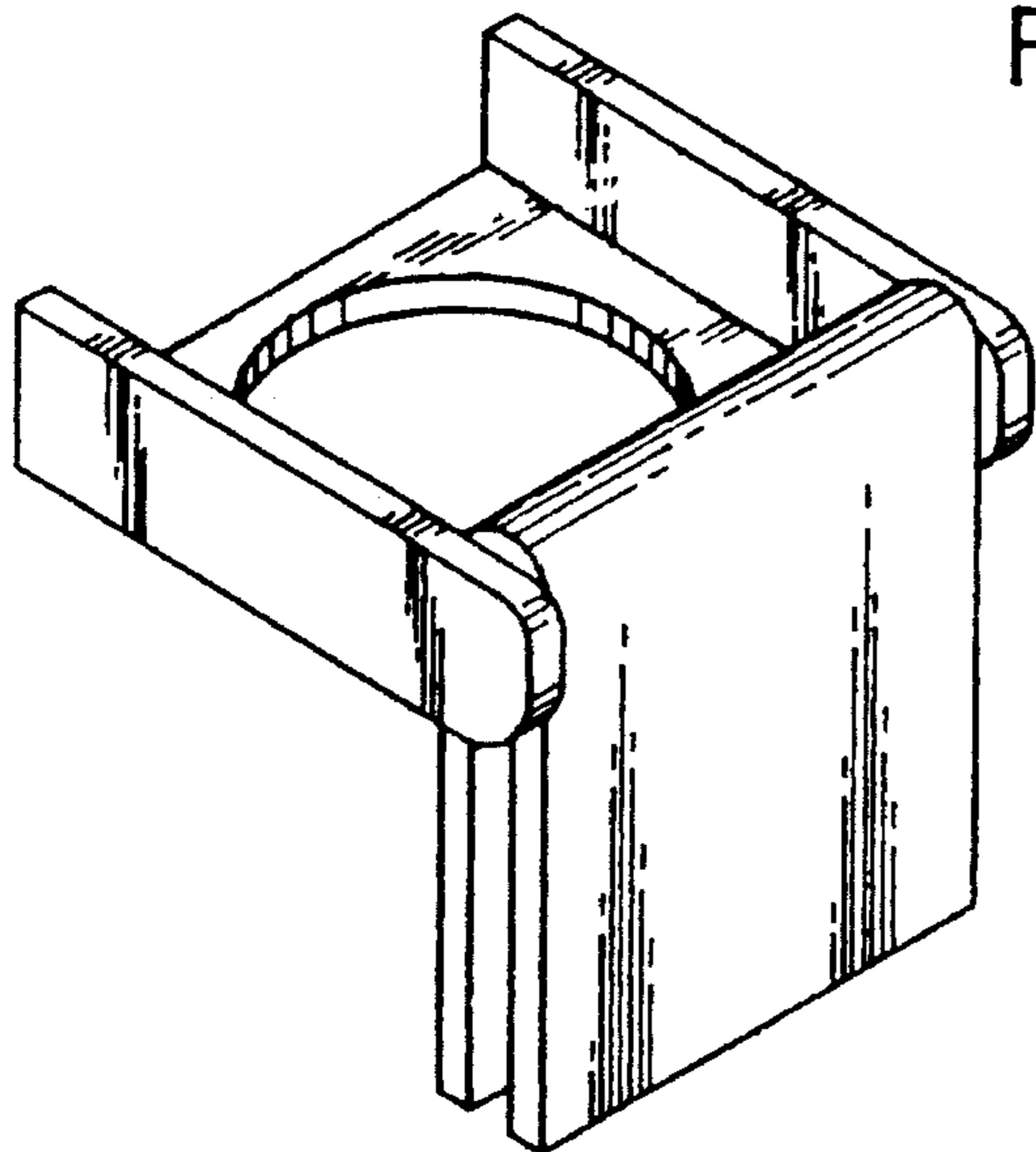


FIG. 2

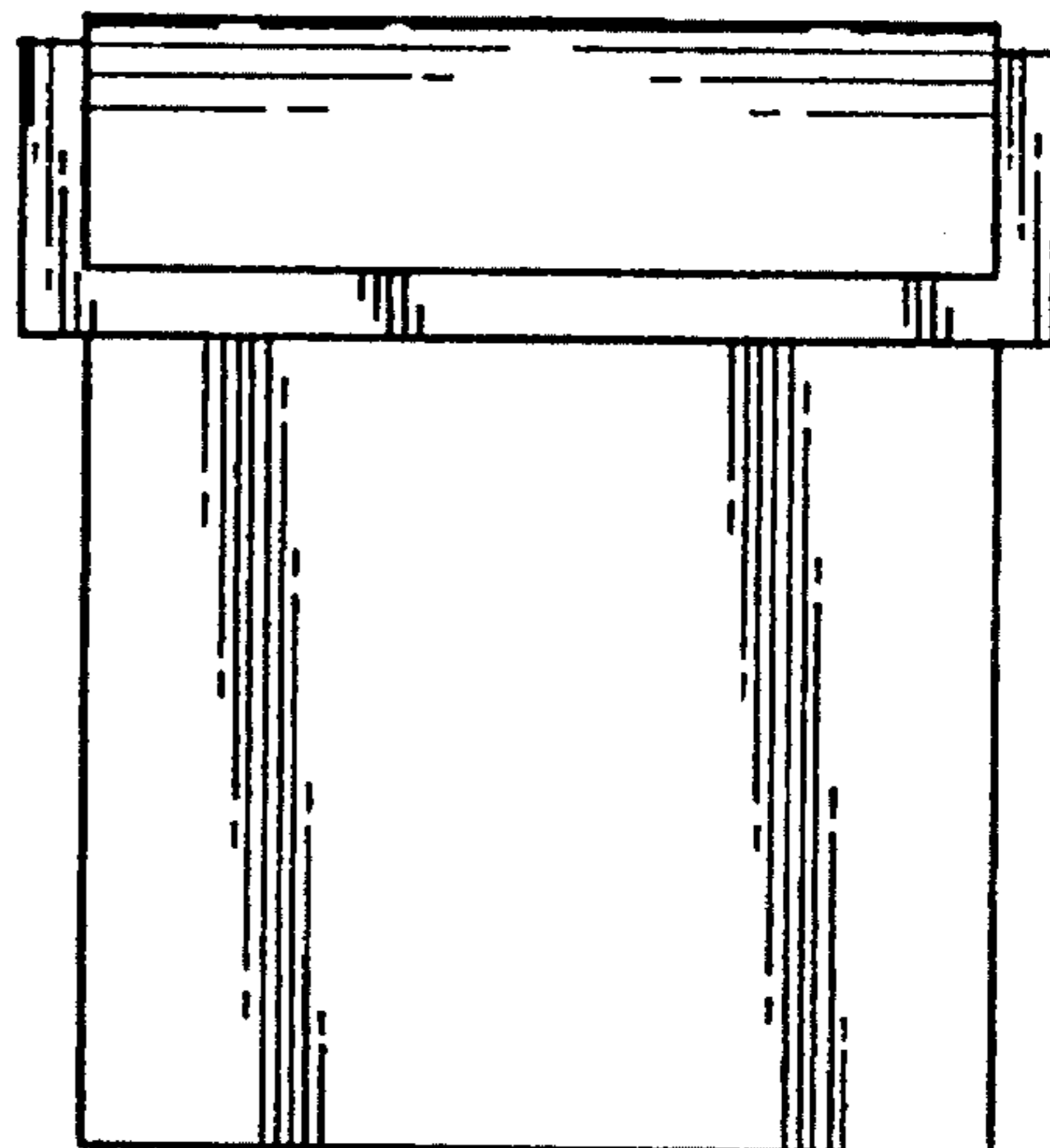


FIG. 3

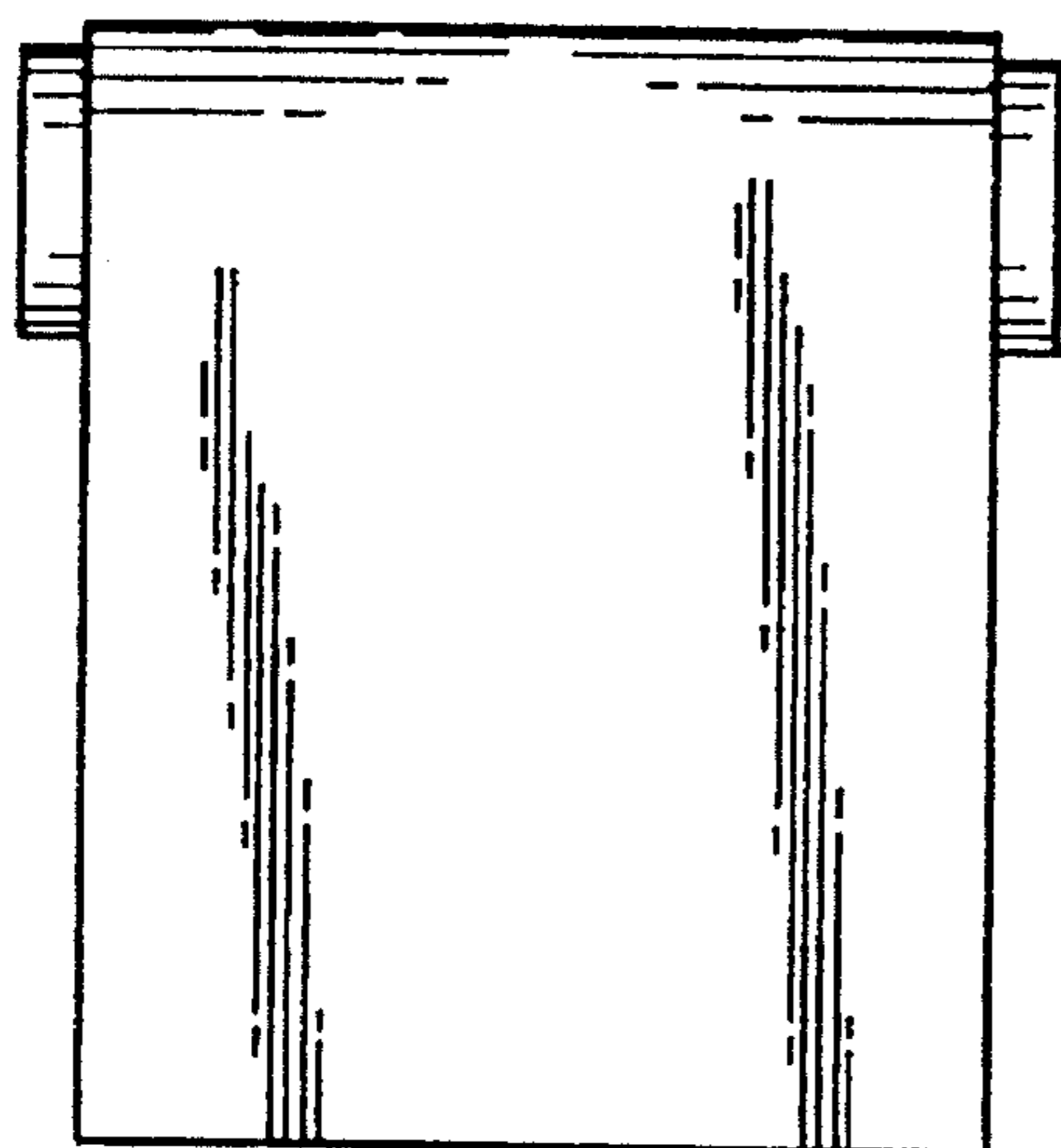


FIG. 4

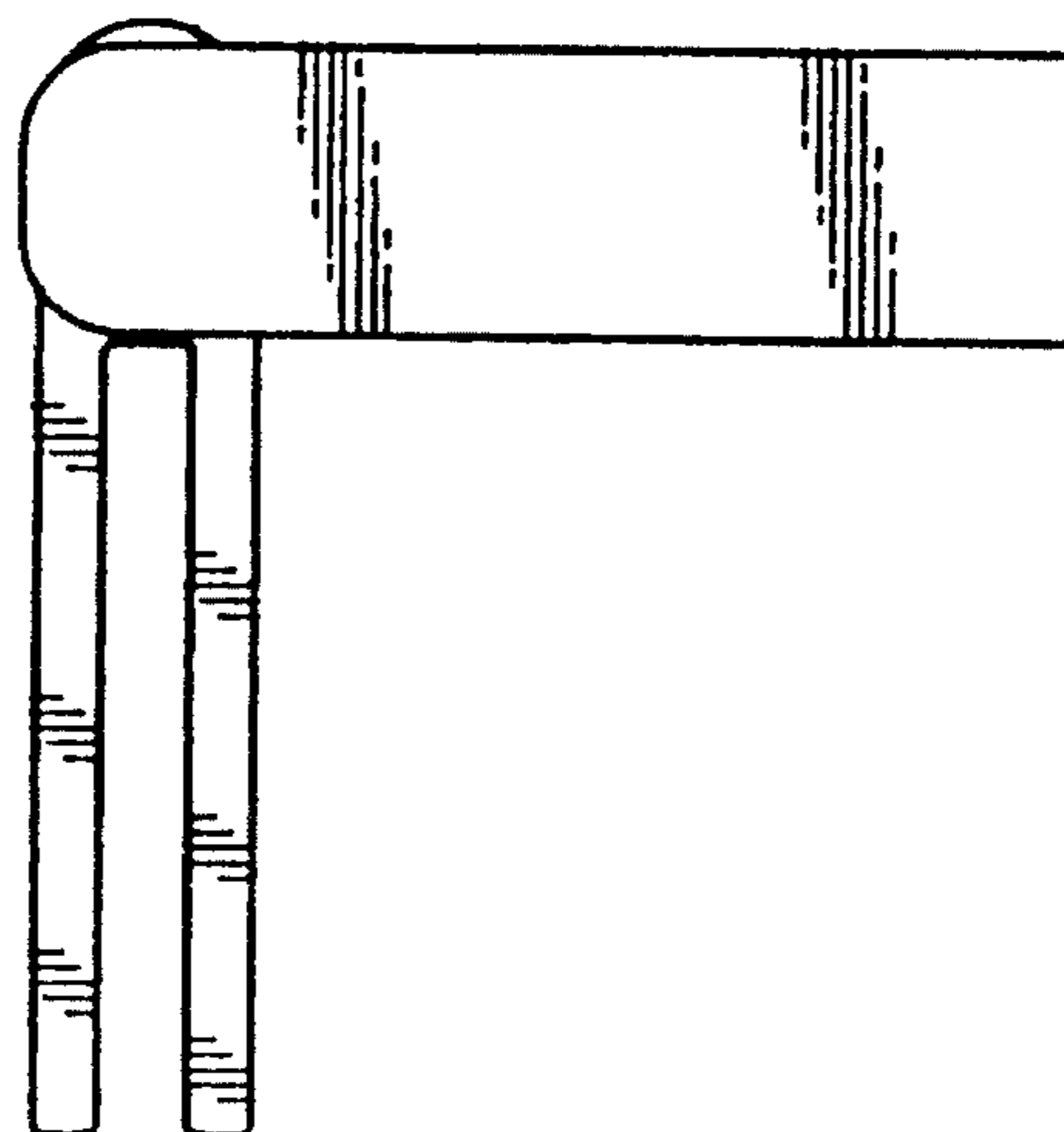


FIG. 5

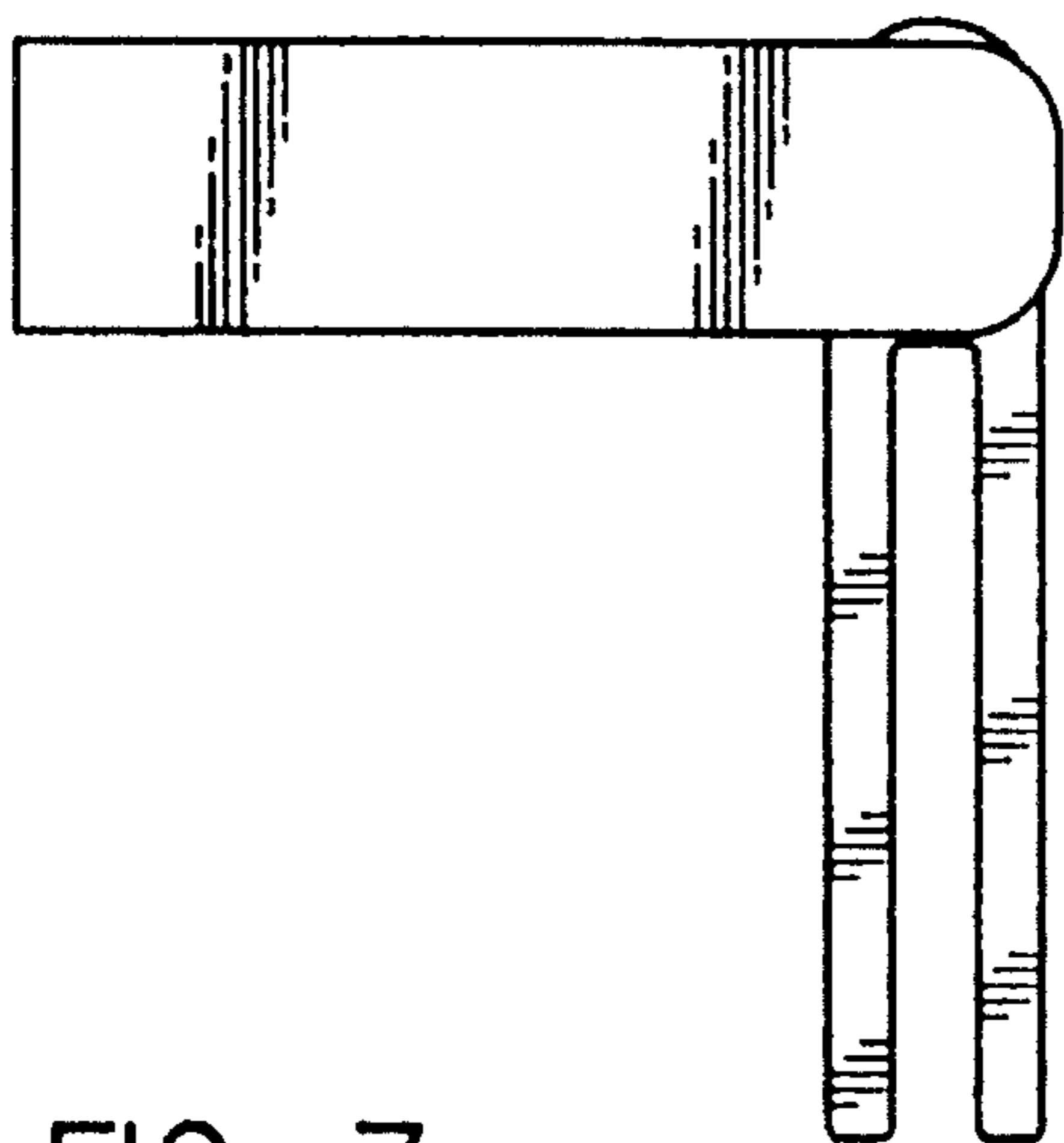


FIG. 6

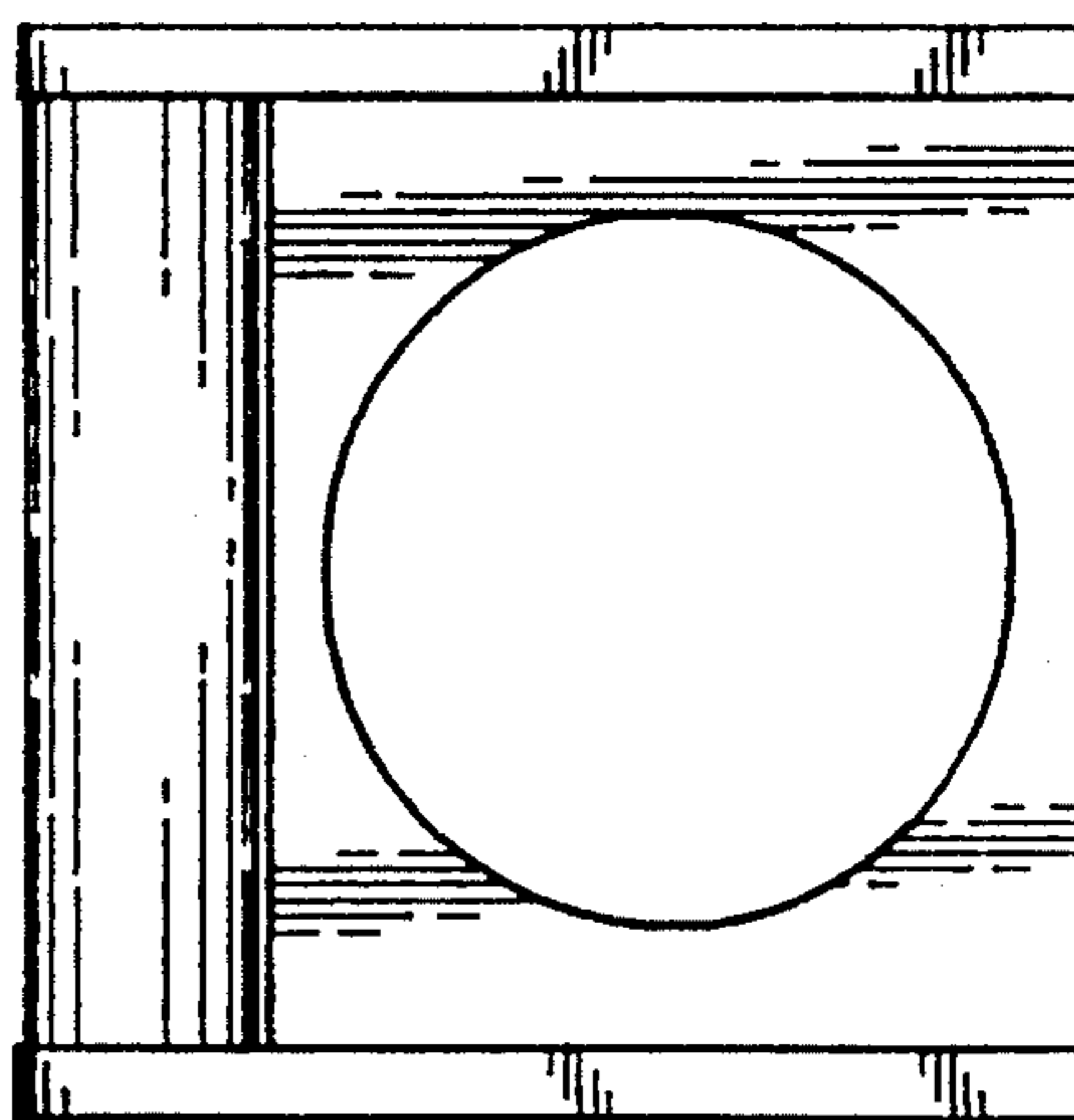


FIG. 7

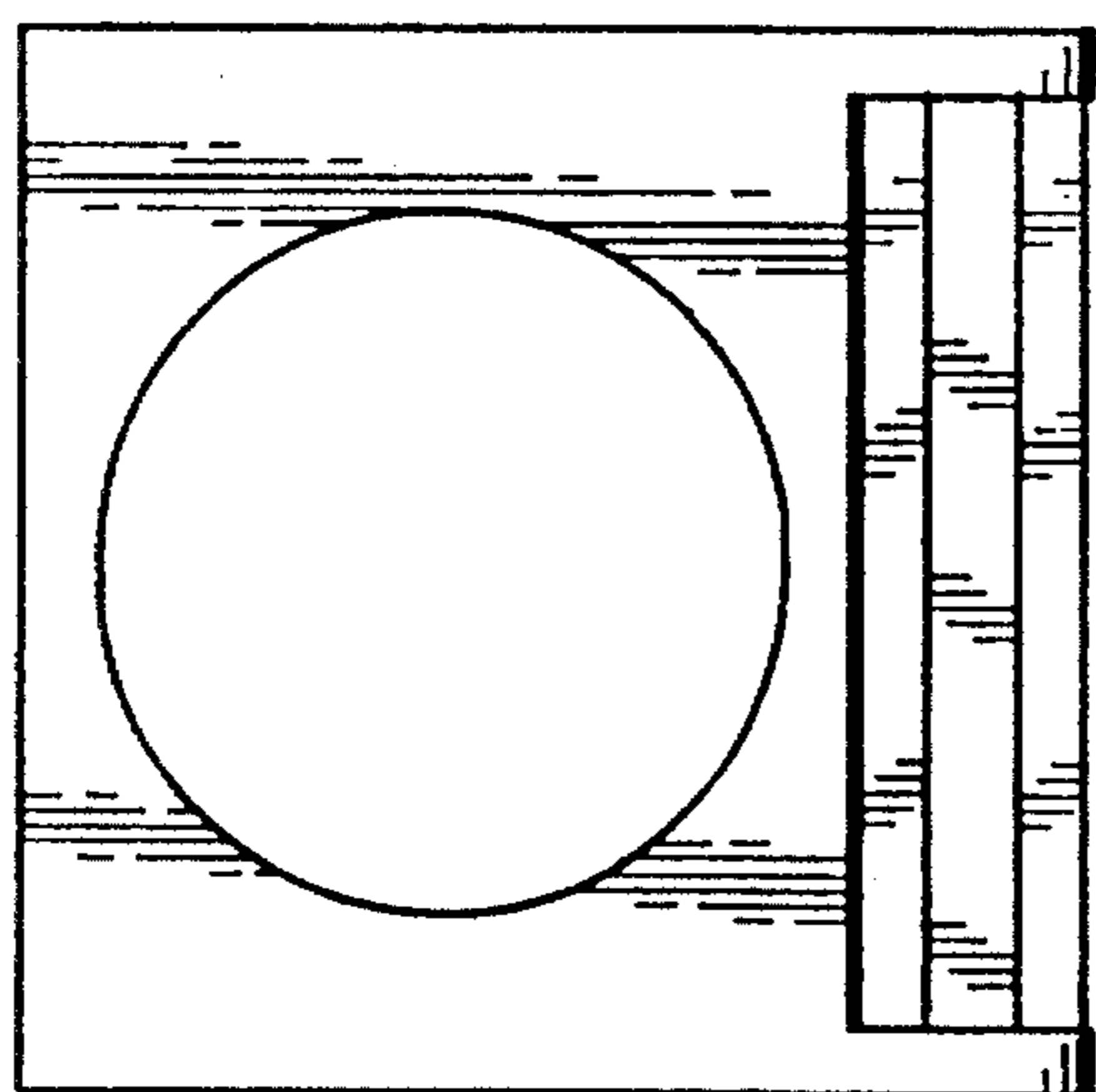


FIG. 8

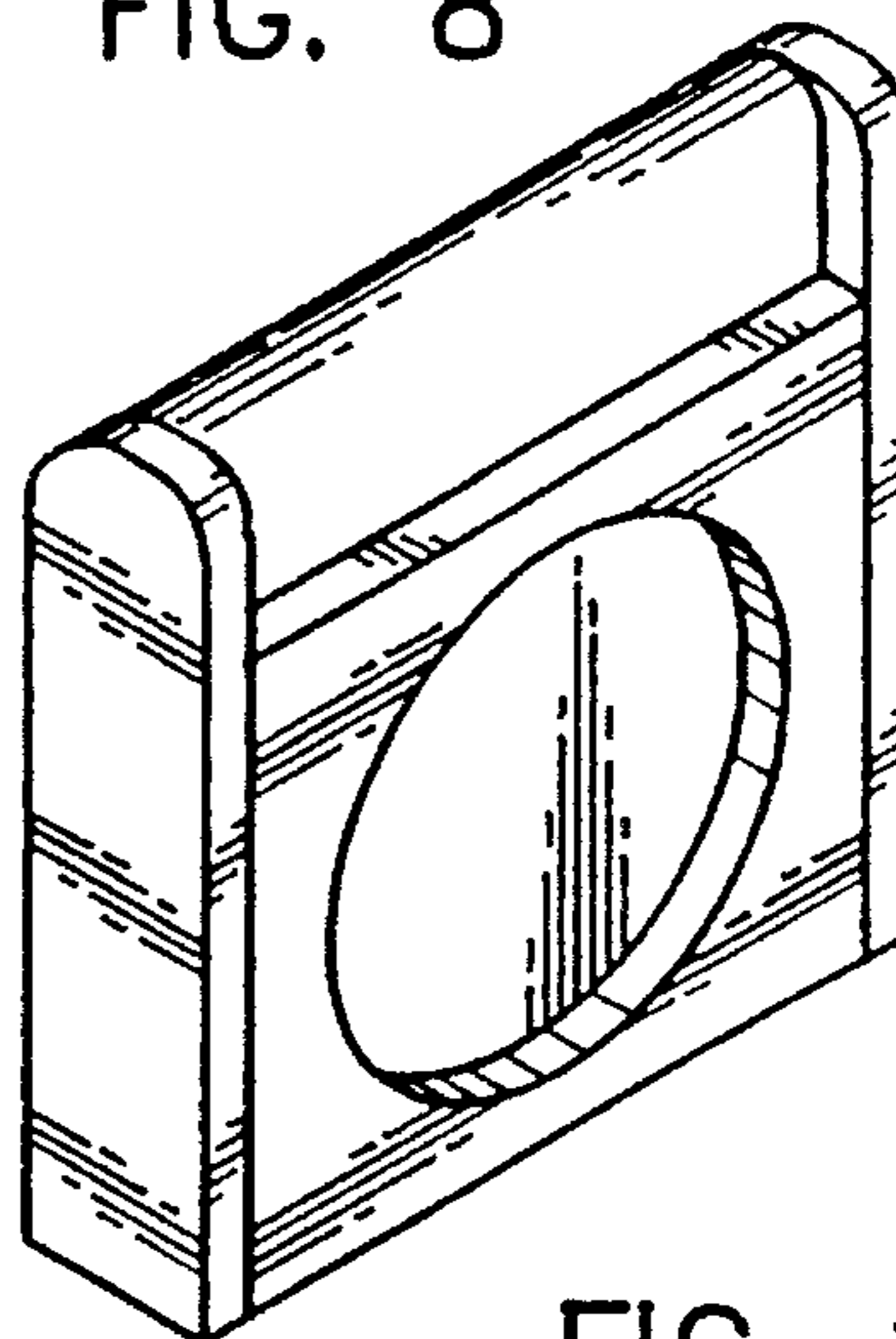


FIG. 9

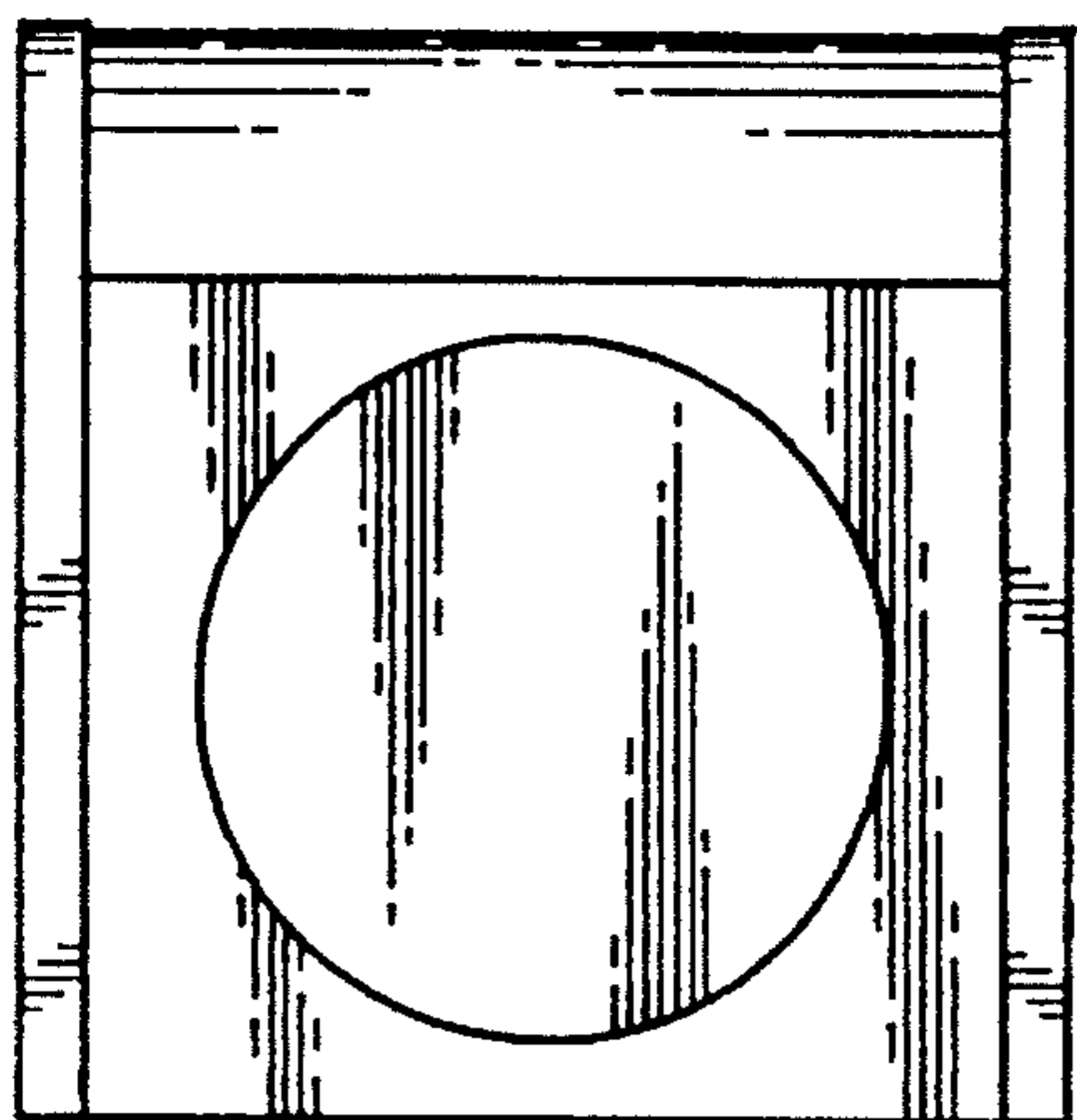


FIG. 10

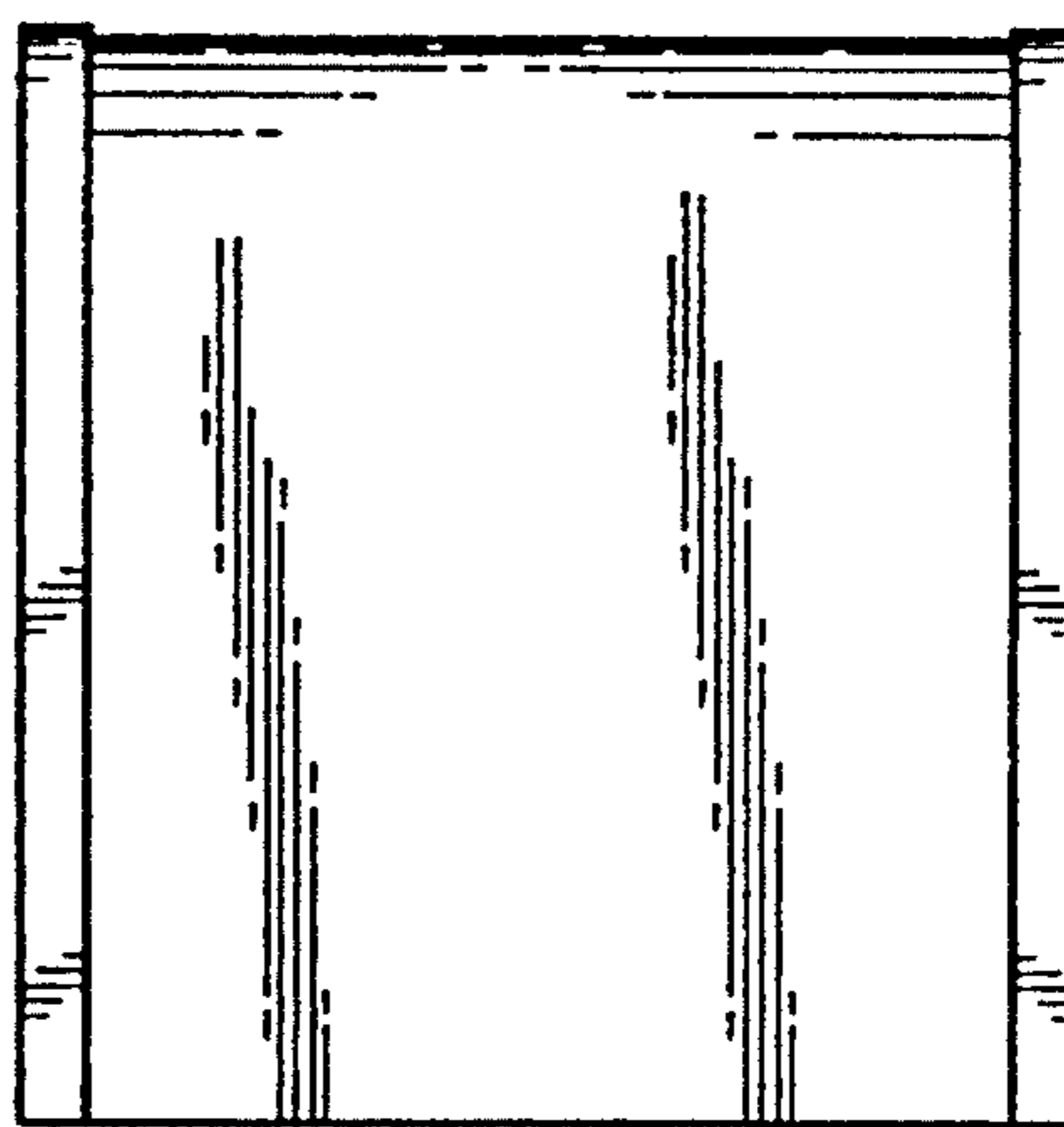


FIG. 11



FIG. 12



FIG. 13

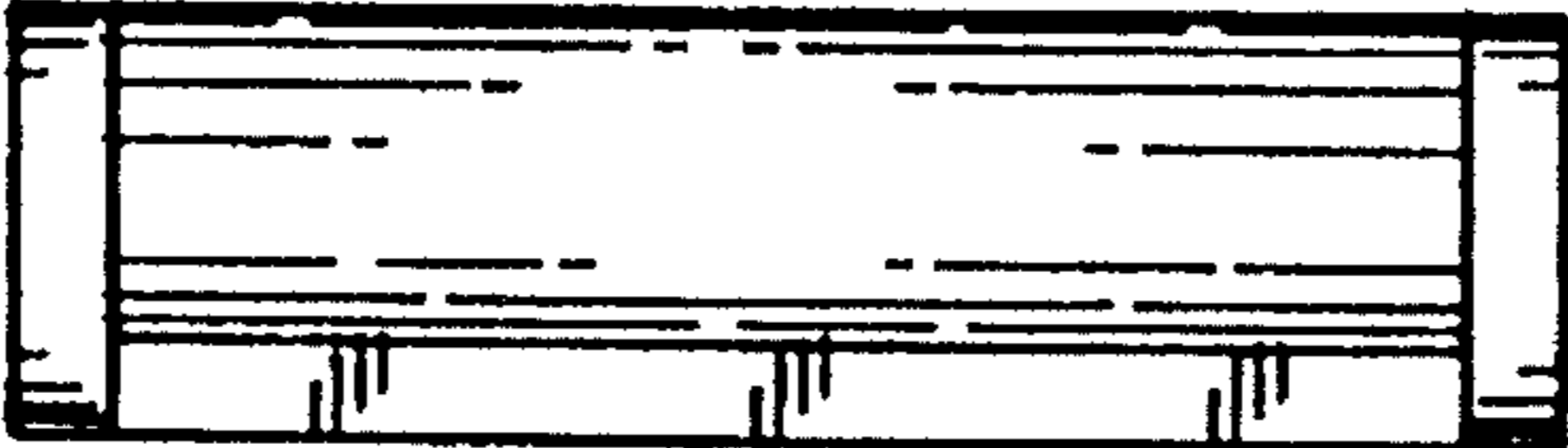


FIG. 14

