



US00D367206S

United States Patent [19] Green

[11] Patent Number: **Des. 367,206**

[45] Date of Patent: ****Feb. 20, 1996**

[54] **DRINKING CONTAINER**

[76] Inventor: **Richard D. Green**, 4086 Del Rey Ave.,
Marina Del Rey, Calif. 90292

[**] Term: **14 Years**

[21] Appl. No.: **30,054**

[22] Filed: **Oct. 21, 1994**

[52] U.S. Cl. **D7/511; D7/511**

[58] Field of Search D7/619, 622, 507,
D7/509, 510, 511, 513, 512, 514, 515,
516, 523, 524, 531, 532, 533, 534, 535,
536; 215/396, 388, 398, 387, 389; 220/713,
711; D9/500, 503, 504, 537, 538, 539,
540

4,509,655 4/1985 Killmann .
4,852,762 8/1989 Chou-Sheng .
4,925,043 5/1990 Dinand .
4,982,854 1/1991 Ichimiya .
5,054,631 10/1991 Robbins, III .
5,085,330 2/1992 Pallin 215/387 X
5,188,283 2/1993 Gu .
5,203,468 4/1993 Hsu .
5,273,172 12/1993 Rossbach et al. .
5,326,006 7/1994 Giard, Jr. 215/387 X
5,361,934 11/1994 Spence, Jr. 215/388 X

Primary Examiner—Alan P. Douglas
Assistant Examiner—M. N. Pandozzi
Attorney, Agent, or Firm—Kelly, Bauersfeld & Lowry

[57] CLAIM

The ornamental design for a drinking container, as shown and described.

DESCRIPTION

FIG. 1 is a perspective view showing the front, right and top views of a drinking container embodying my new design; FIG. 2 is a left side elevational view thereof, the right side elevation being a mirror image of the left side as shown; FIG. 3 is a top plan view thereof; FIG. 4 is a bottom plan view thereof; FIG. 5 is a rear elevational view thereof; FIG. 6 is a front elevational view thereof; and, FIG. 7 is a perspective view similar to FIG. 1, illustrating a cap in an open position.

1 Claim, 3 Drawing Sheets

[56] References Cited

U.S. PATENT DOCUMENTS

D. 195,376 6/1963 Curtis D7/511 X
D. 332,373 1/1993 Kahl D7/510
D. 340,836 11/1993 Cautereels D7/511
D. 356,231 3/1995 Peyton, Jr. D7/510
D. 359,654 6/1995 Westgerdes D7/510 X
D. 360,338 7/1995 Westgerdes D7/510 X
2,529,817 11/1950 Russell .
2,844,267 7/1958 Petriccione .
3,294,293 12/1966 Johns .
3,337,098 8/1967 Johns .
3,371,827 3/1968 Micallef .
4,448,316 5/1984 Hiroshige .

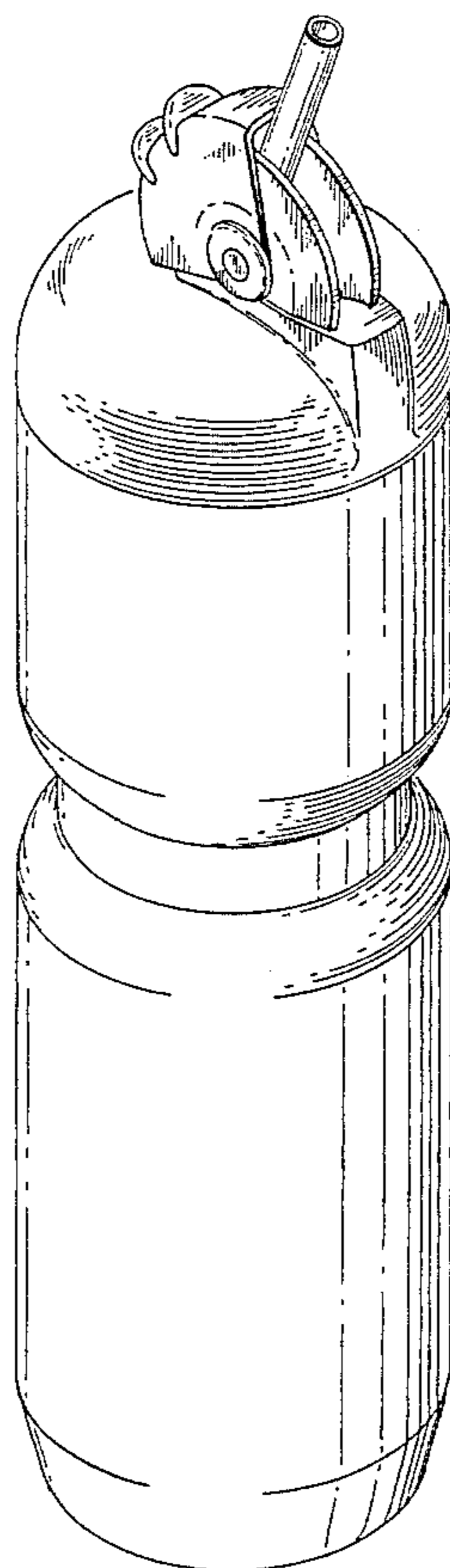


FIG. 1

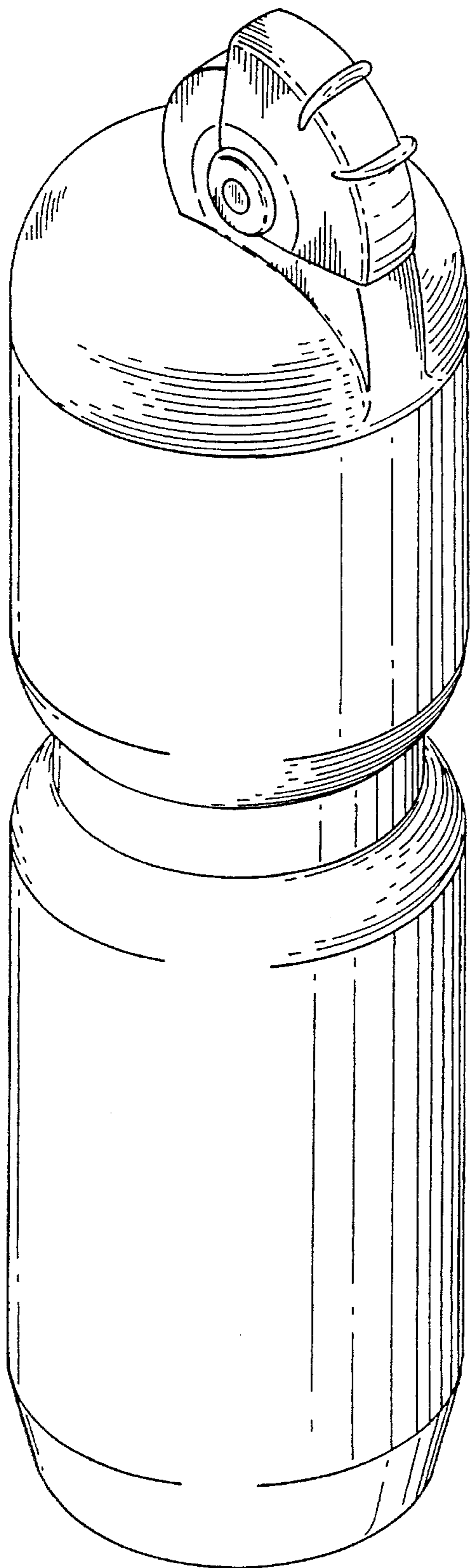


FIG. 7

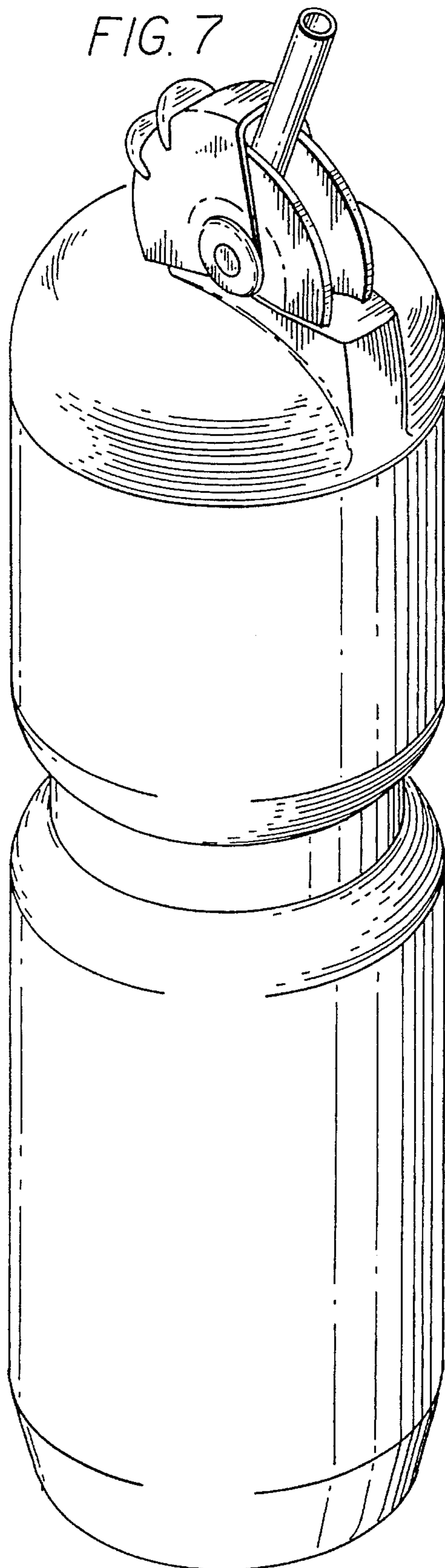


FIG. 2

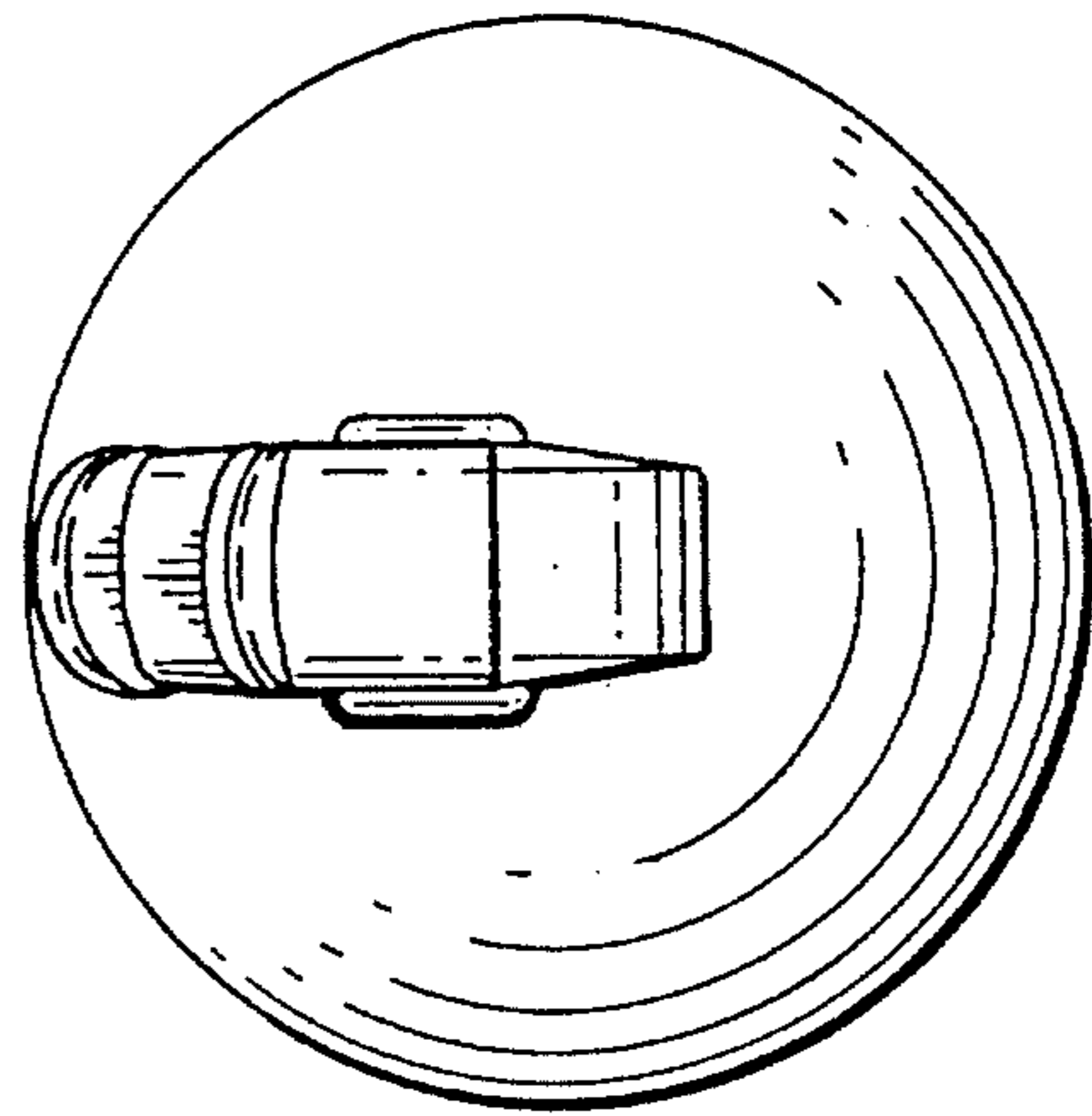
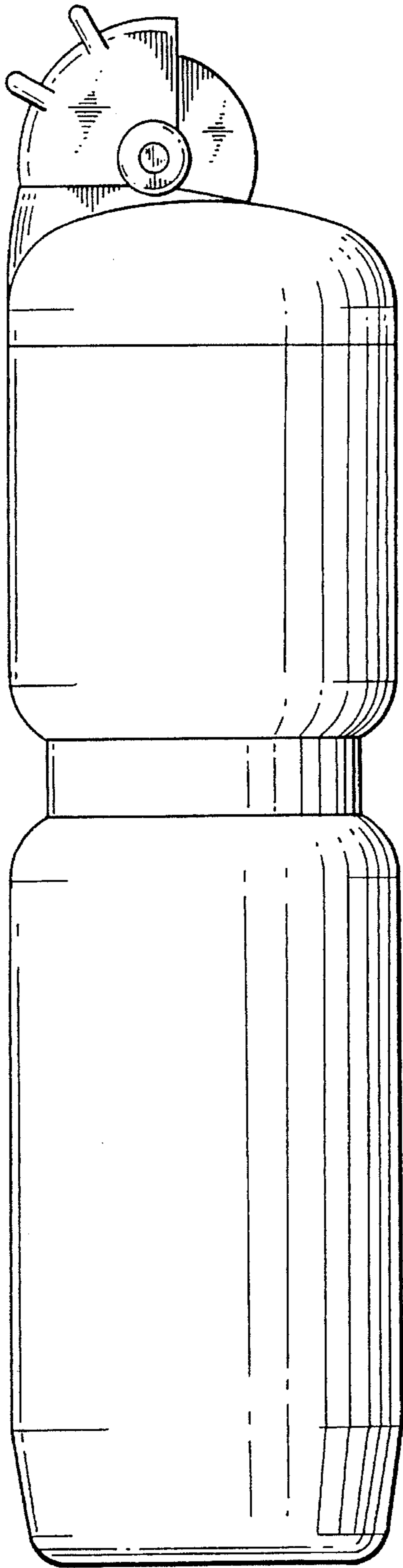


FIG. 3

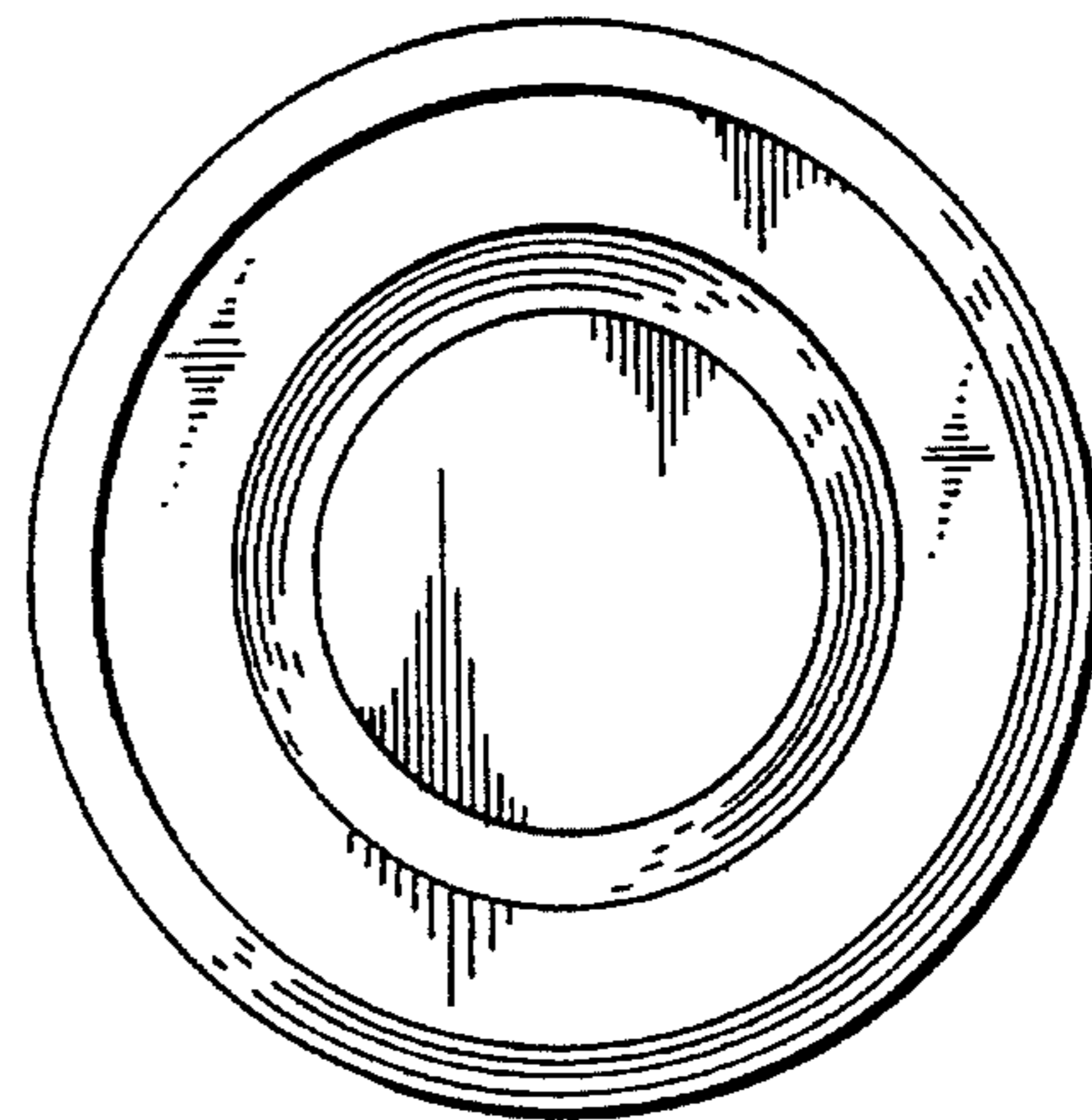


FIG. 4

FIG. 5

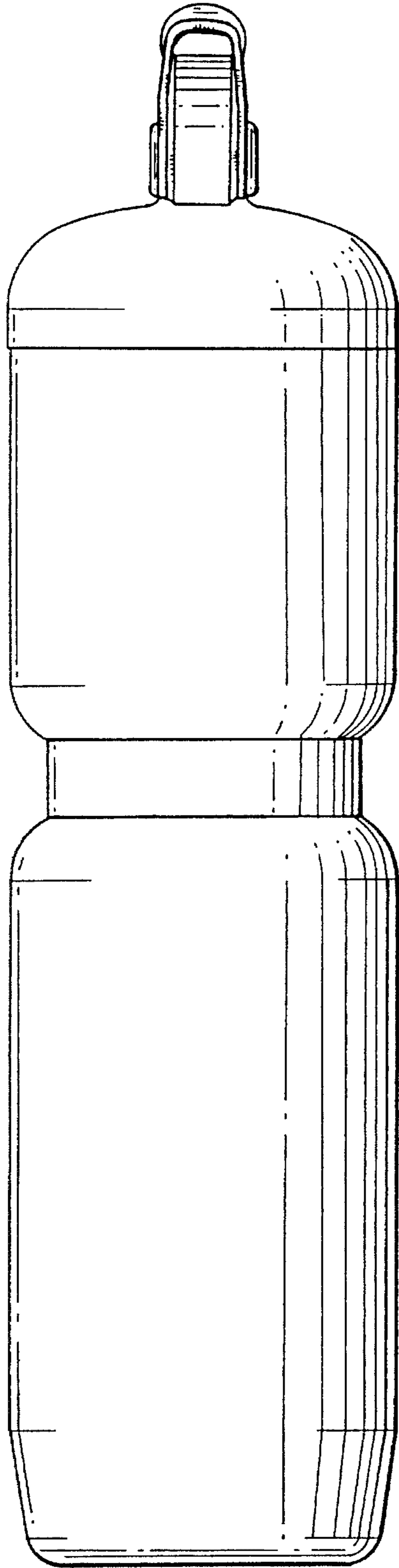


FIG. 6

