



US00D367205S

United States Patent [19] O'Higgins

[11] Patent Number: **Des. 367,205**

[45] Date of Patent: ****Feb. 20, 1996**

[54] **TOASTER OVEN CAST BROILING GRILL**

[75] Inventor: **Thomas O'Higgins**, Orinda, Calif.

[73] Assignee: **Williams-Sonoma, Inc.**, San Francisco, Calif.

[**] Term: **14 Years**

[21] Appl. No.: **33,836**

[22] Filed: **Jan. 20, 1995**

[52] U.S. Cl. **D7/409**

[58] Field of Search **D7/323, 409, 359; 99/393, 402, 422, 425, 426; 219/733**

[56] **References Cited**

U.S. PATENT DOCUMENTS

D. 229,532	12/1973	Colato et al.	D7/409
D. 256,082	7/1980	Colato et al.	D7/409
D. 256,653	9/1980	Painter et al.	D7/409
D. 256,654	9/1980	Painter et al.	D7/409
D. 257,115	9/1980	Anderson	219/733 X
D. 297,497	9/1988	Picozza	D7/359 X

Primary Examiner—Alan P. Douglas

Assistant Examiner—Caron D. Veynar

Attorney, Agent, or Firm—Owen, Wickersham & Erickson

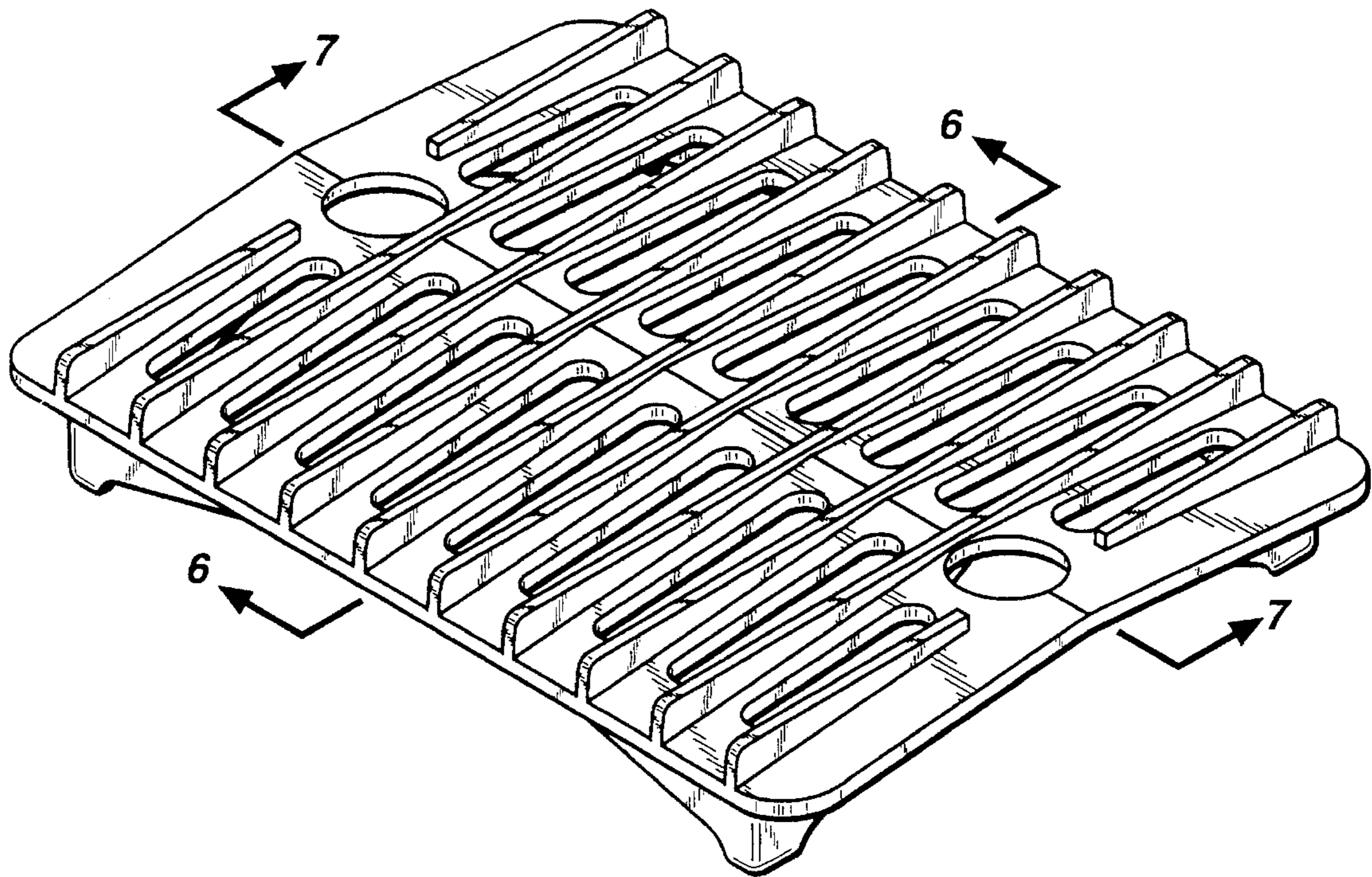
[57] **CLAIM**

The ornamental design for a toaster oven cast broiling grill, as shown and described.

DESCRIPTION

FIG. 1 is a perspective view of the invention;
 FIG. 2 is a top plan view of the invention;
 FIG. 3 is an end view of the invention, the opposite end view being a mirror image;
 FIG. 4 is a front view of the invention, the back view being a mirror image;
 FIG. 5 is a bottom view of the invention;
 FIG. 6 is a cross-sectional view of the invention as viewed along section line 6—6 of FIG. 1; and,
 FIG. 7 is a cross-sectional view of the invention as viewed along section line 7—7 of FIG. 1.
 The broken line showing of a cross section of a pan in FIGS. 6 and 7 is for illustrative purposes only and forms no part of the claimed design.

1 Claim, 4 Drawing Sheets



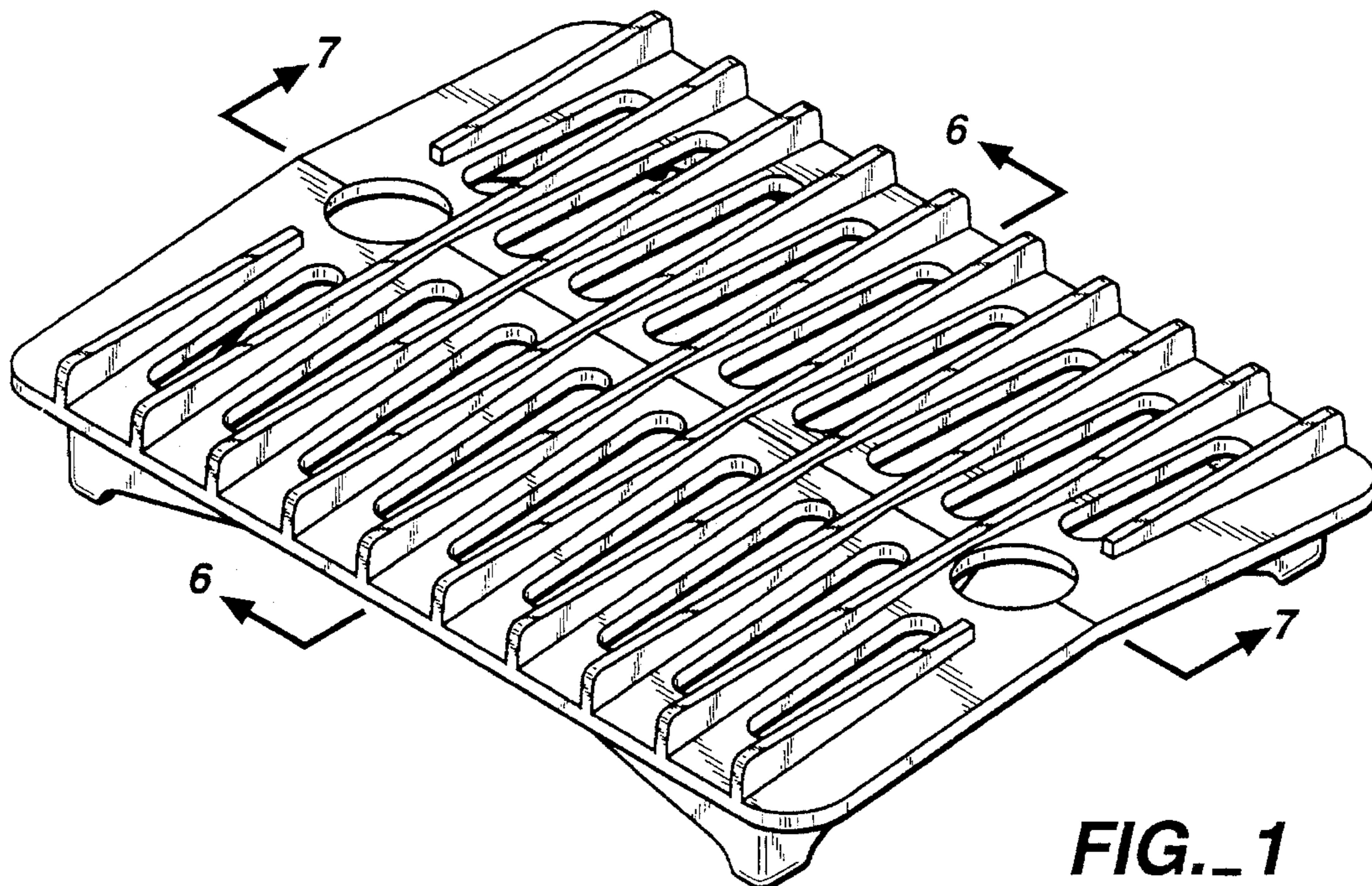


FIG._1

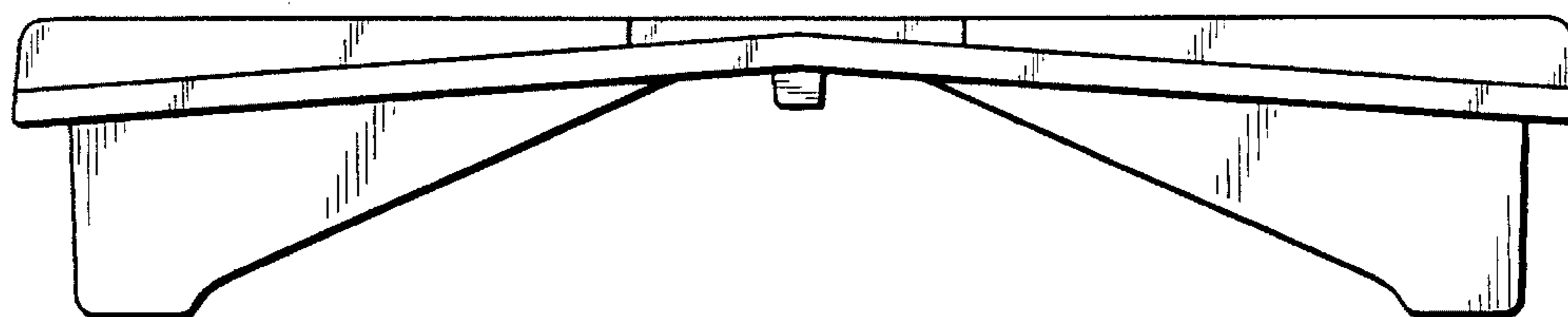


FIG._3

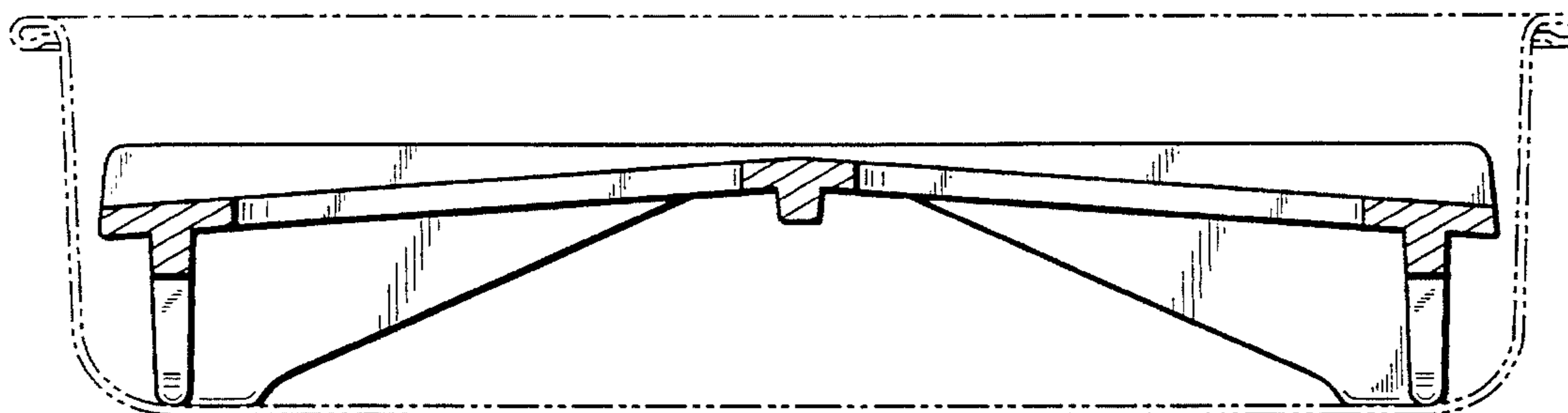


FIG._6

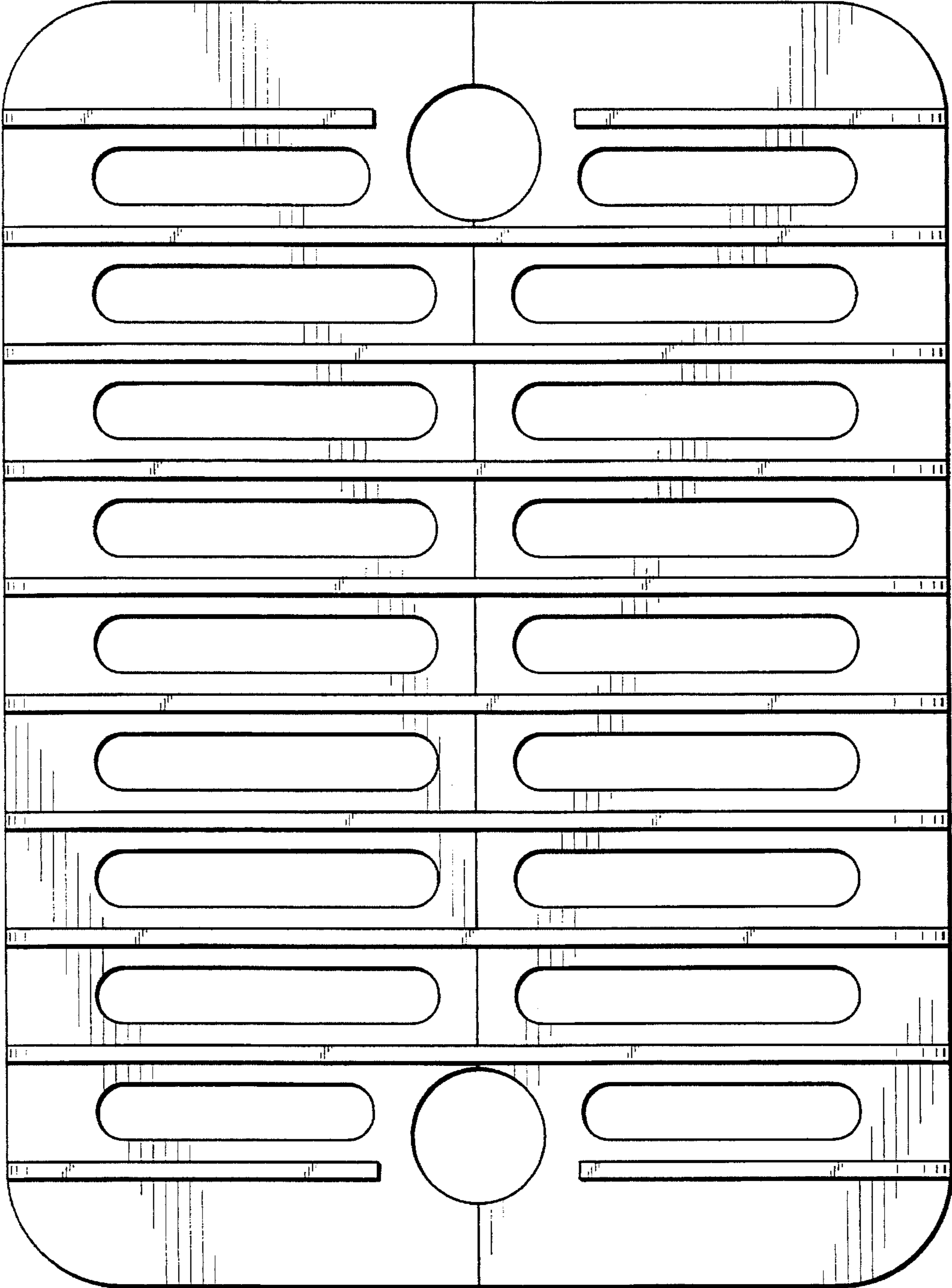


FIG. 2

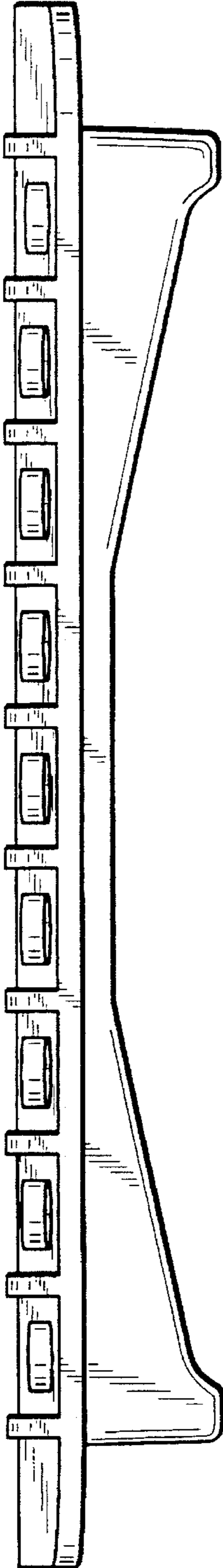


FIG. 4

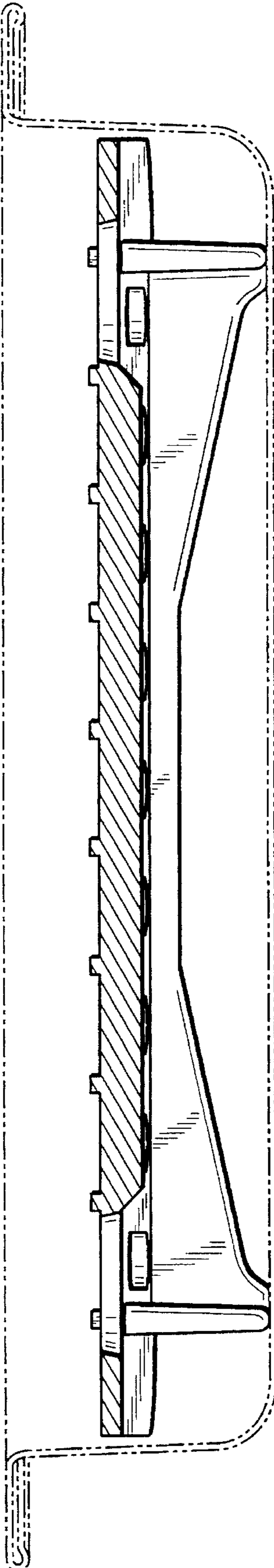


FIG. 7

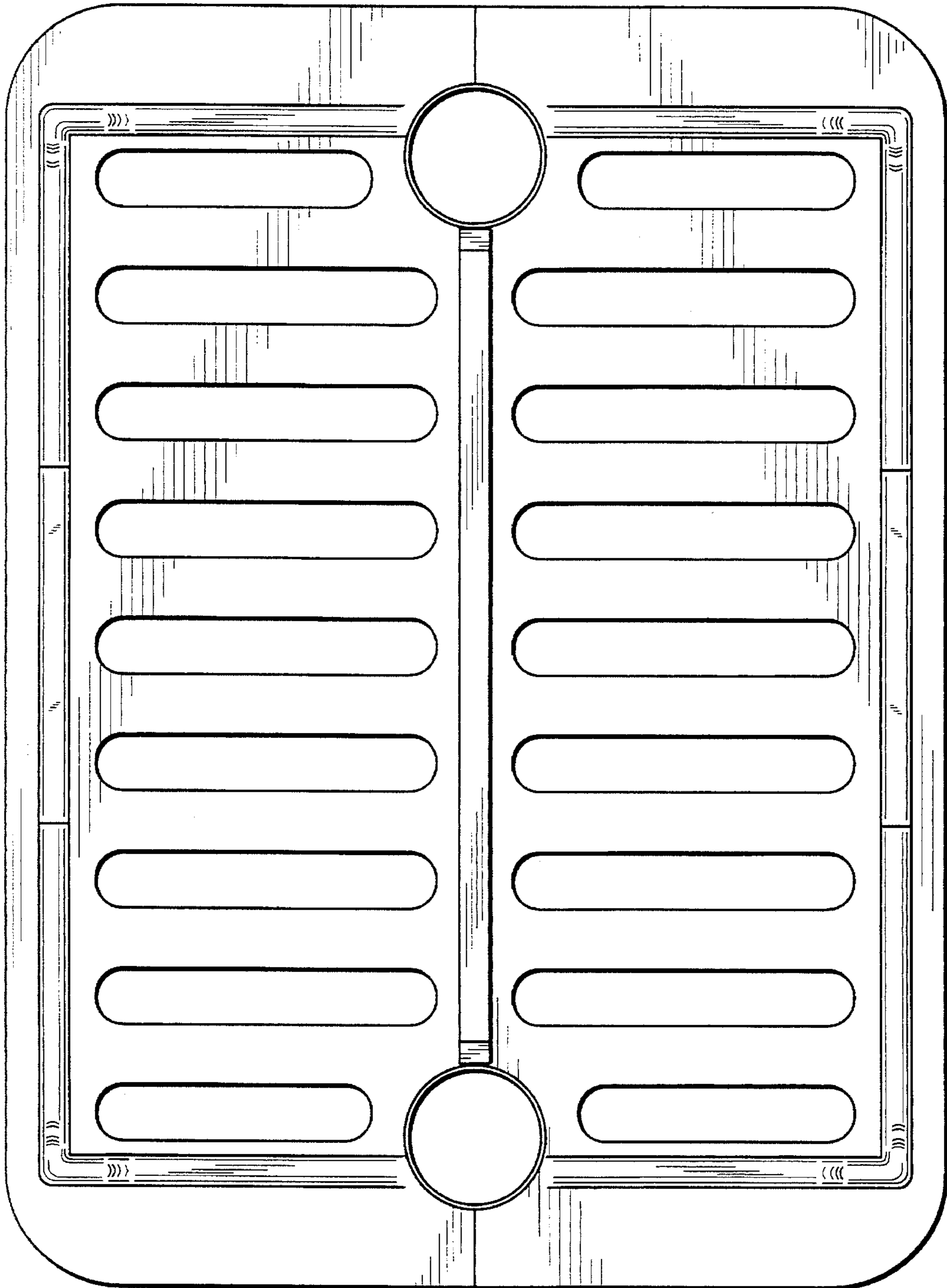


FIG. 5