



US00D367203S

United States Patent [19] Sprouls

[11] Patent Number: **Des. 367,203**
[45] Date of Patent: ****Feb. 20, 1996**

[54] **OVEN**

[76] Inventor: **Charles R. Sprouls**, 482 Sellmeyer La.,
Highland Village, Lewisville, Tex.
75067

[**] Term: **14 Years**

[21] Appl. No.: **34,800**

[22] Filed: **Feb. 13, 1995**

[52] U.S. Cl. **D7/348**; 126/19 R; 99/339

[58] Field of Search **D7/348, 350, 351;**
D15/144.1; 99/329 R, 339, 386; 126/3,
4, 9, 9 R, 9 B, 19 R, 19 M, 337, 9 A

[56] **References Cited**

U.S. PATENT DOCUMENTS

D. 200,137	1/1965	Hanna	D7/350
D. 344,871	3/1994	Keller	D7/348
2,218,974	4/1939	Platt	126/275 R
2,342,692	2/1944	Rehm	219/393
3,492,938	2/1970	Oxford et al.	99/386 X
3,756,140	9/1973	Kolivas	99/339
4,108,138	8/1978	Petin et al.	126/19 R
4,305,329	12/1981	Fenoglio	99/339
4,474,165	10/1984	Richardson	126/19 R
5,067,396	11/1991	Sorensen et al.	126/9 R X
5,119,719	6/1992	DePasquale	99/334
5,143,033	5/1995	Riccio	99/339

FOREIGN PATENT DOCUMENTS

2030119	5/1992	Canada	126/19 R
0409758	1/1991	European Pat. Off.	126/19 R
2376388	9/1978	France	126/19 R
2625075	6/1989	France	126/19 R
2309945	1/1973	Germany	126/9 R
55995	12/1935	Norway	126/19 R
15978	7/1896	Switzerland	126/9 R

OTHER PUBLICATIONS

Food Service Equipment and Supplies Specialist, May 1994
p. 56 at bottom left.

Primary Examiner—Louis S. Zarfes

Assistant Examiner—Frank Martinez

Attorney, Agent, or Firm—Ross, Clapp, Korn & Montgomery

[57] **CLAIM**

The ornamental design for an oven, as shown and described.

DESCRIPTION

FIG. 1 is a front elevational view of my new oven;

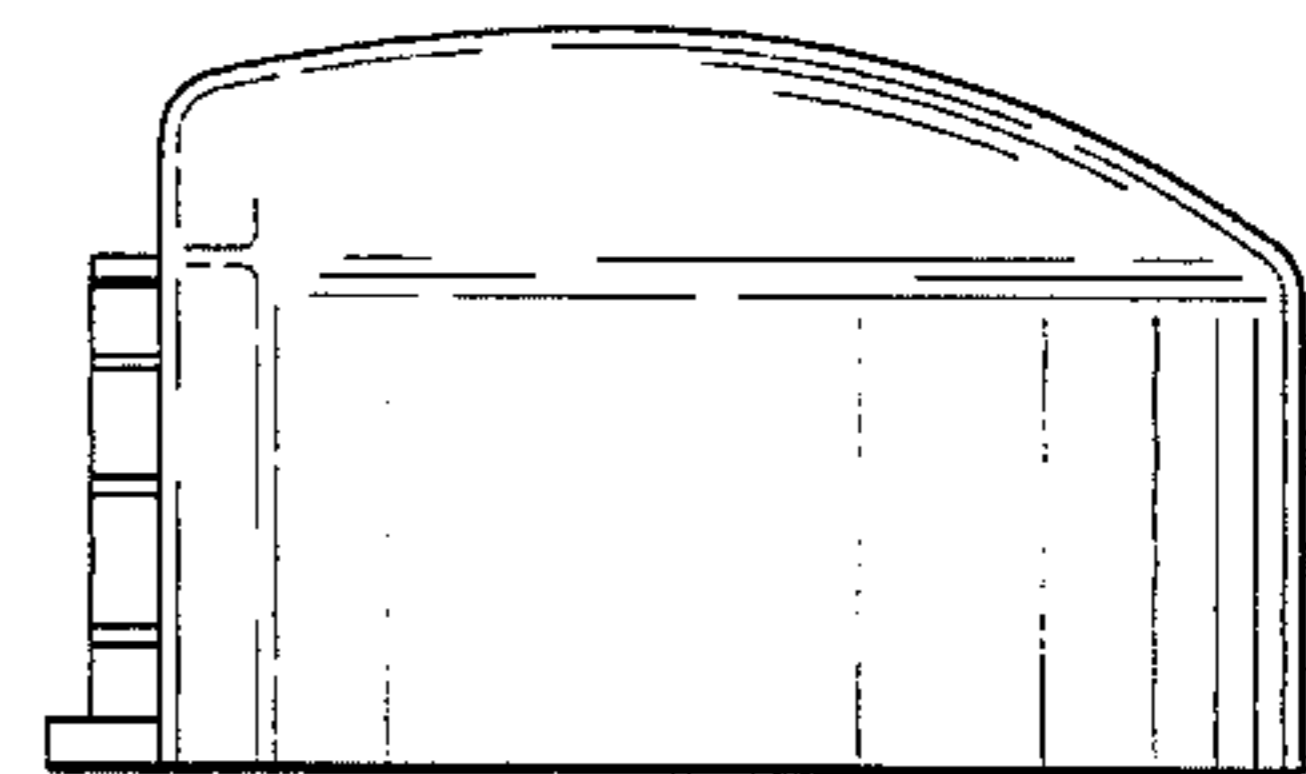
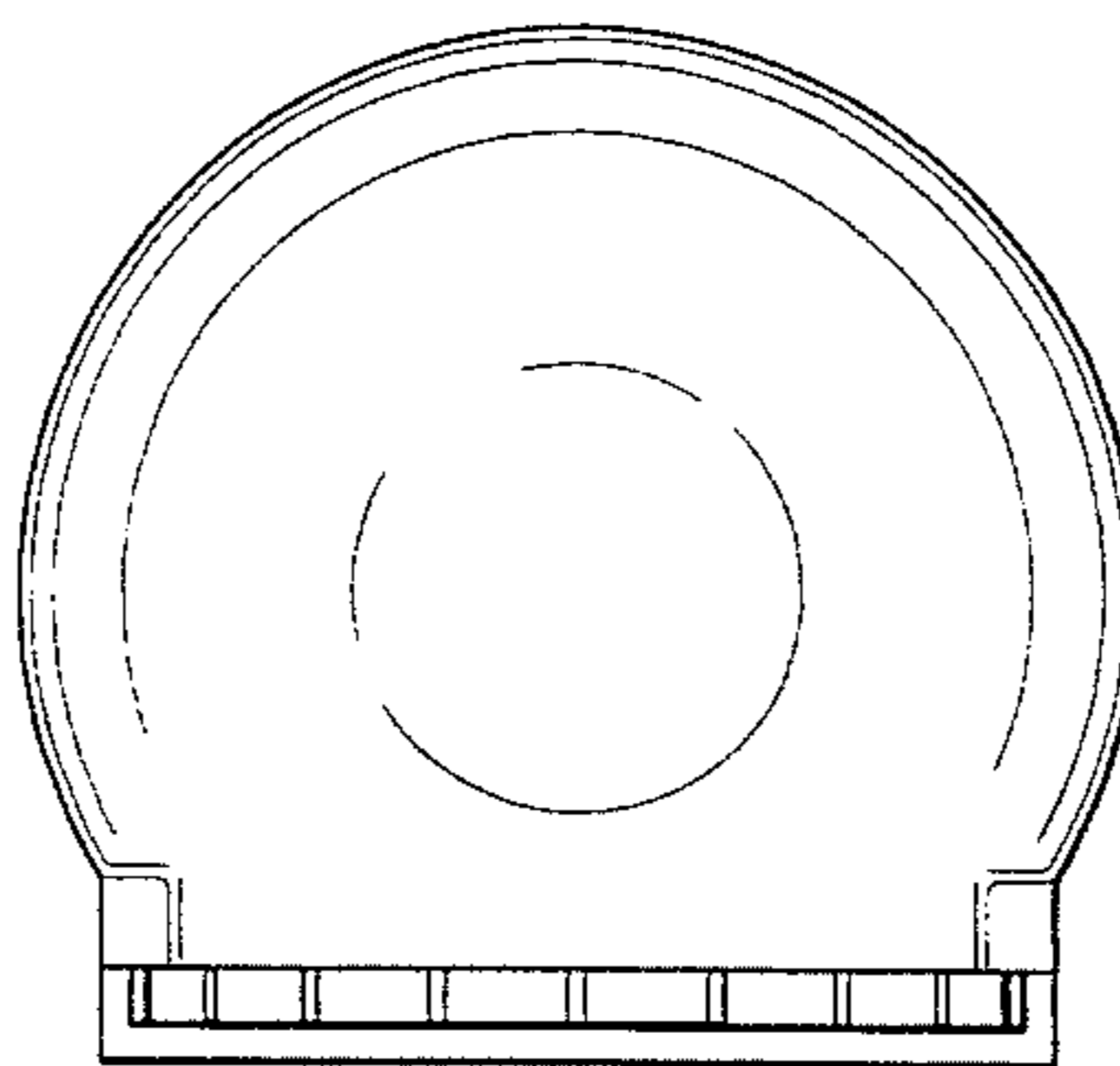
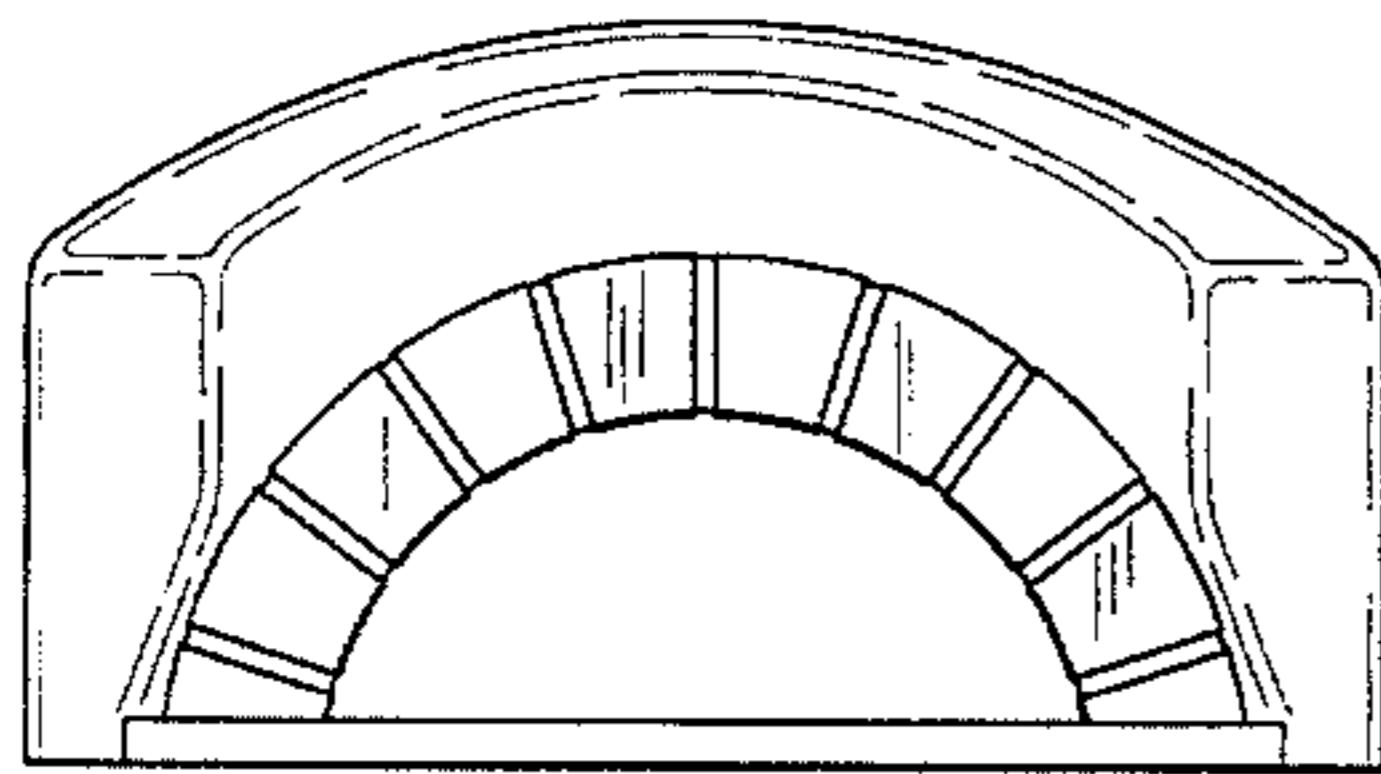
FIG. 2 is a top plan view thereof;

FIG. 3 is a bottom plan view thereof;

FIG. 4 is a rear elevational view thereof; and,

FIG. 5 is a side view thereof, the opposite side being a mirror image.

1 Claim, 1 Drawing Sheet



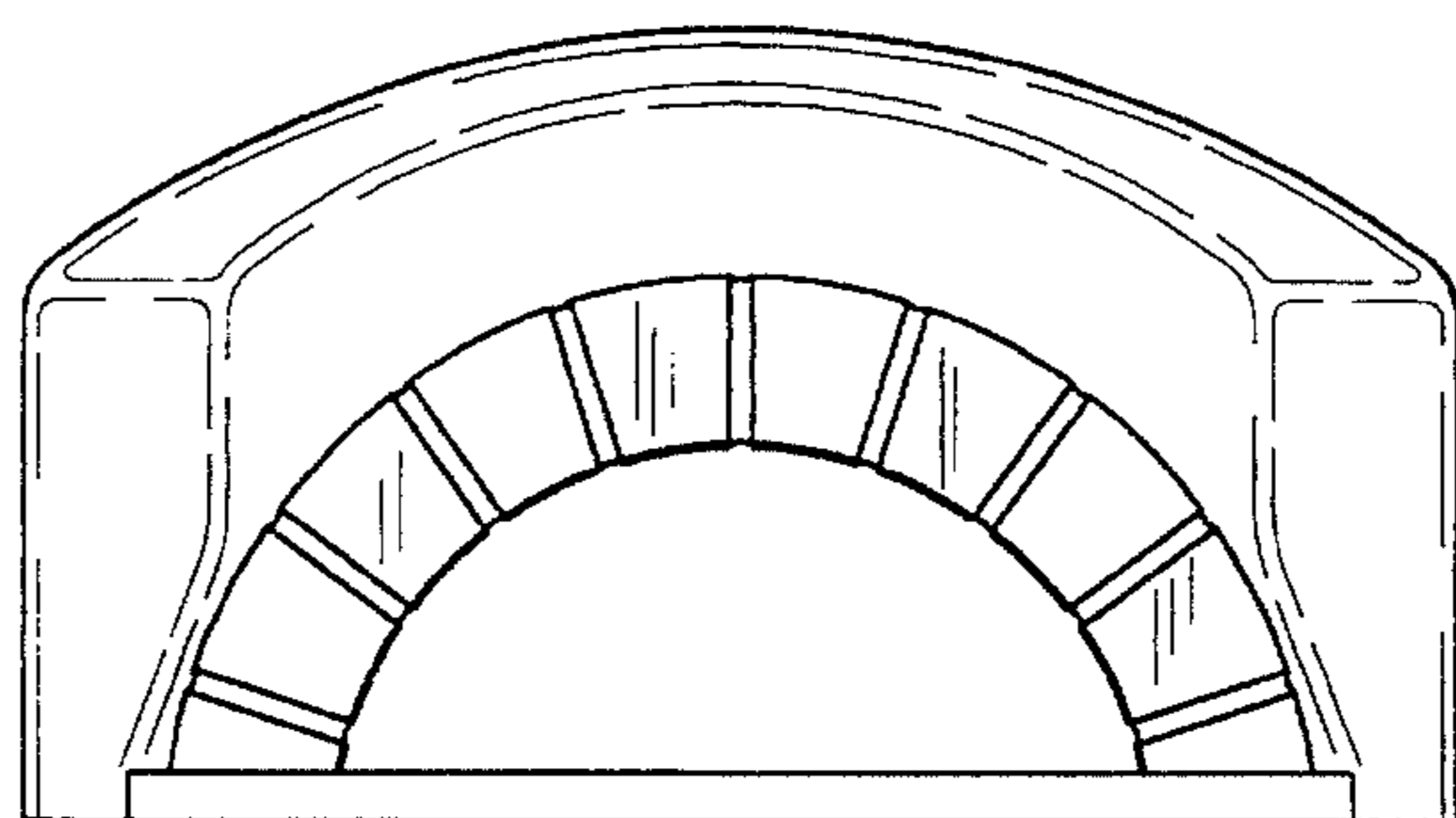


FIG. 1

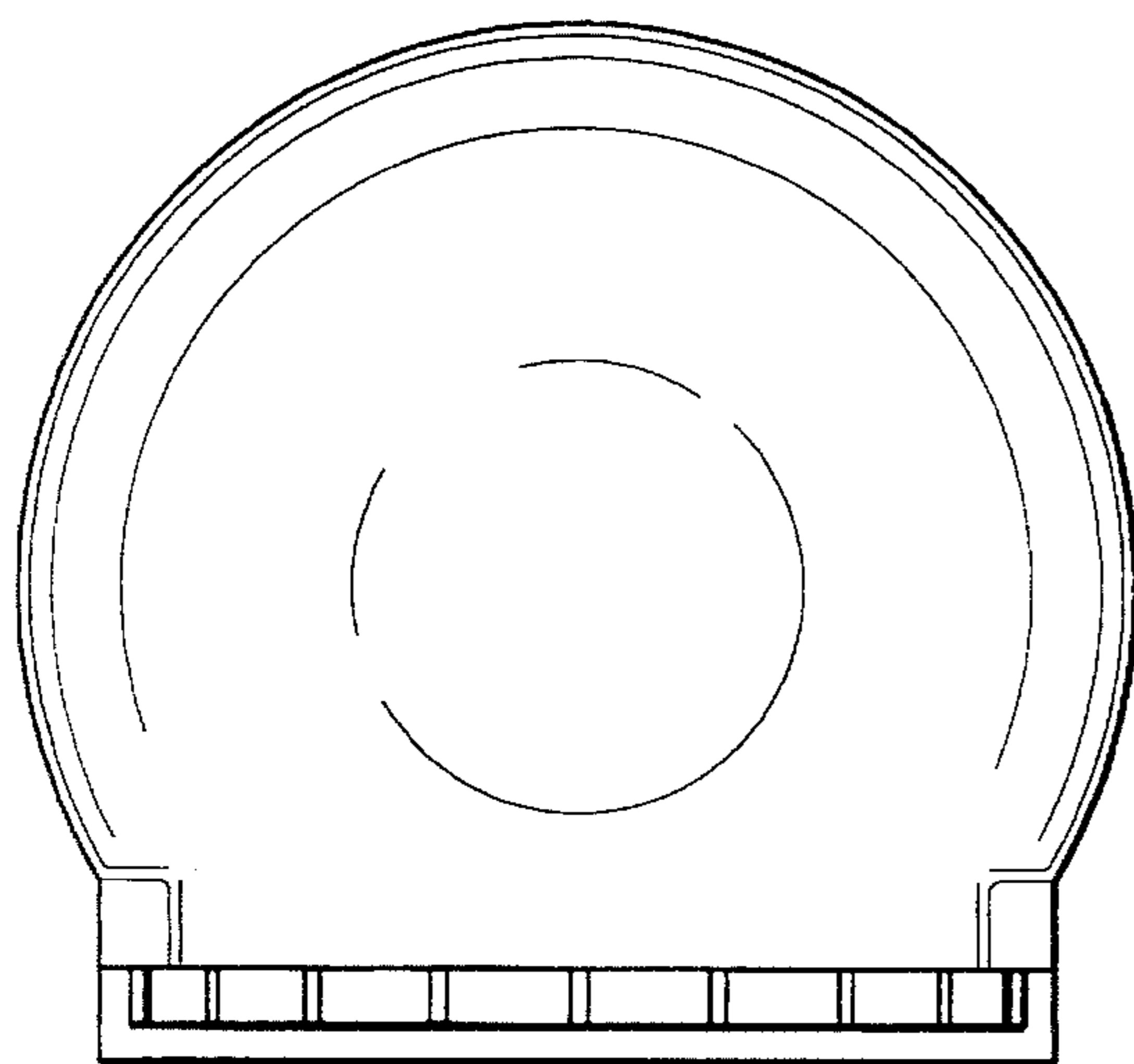


FIG. 2

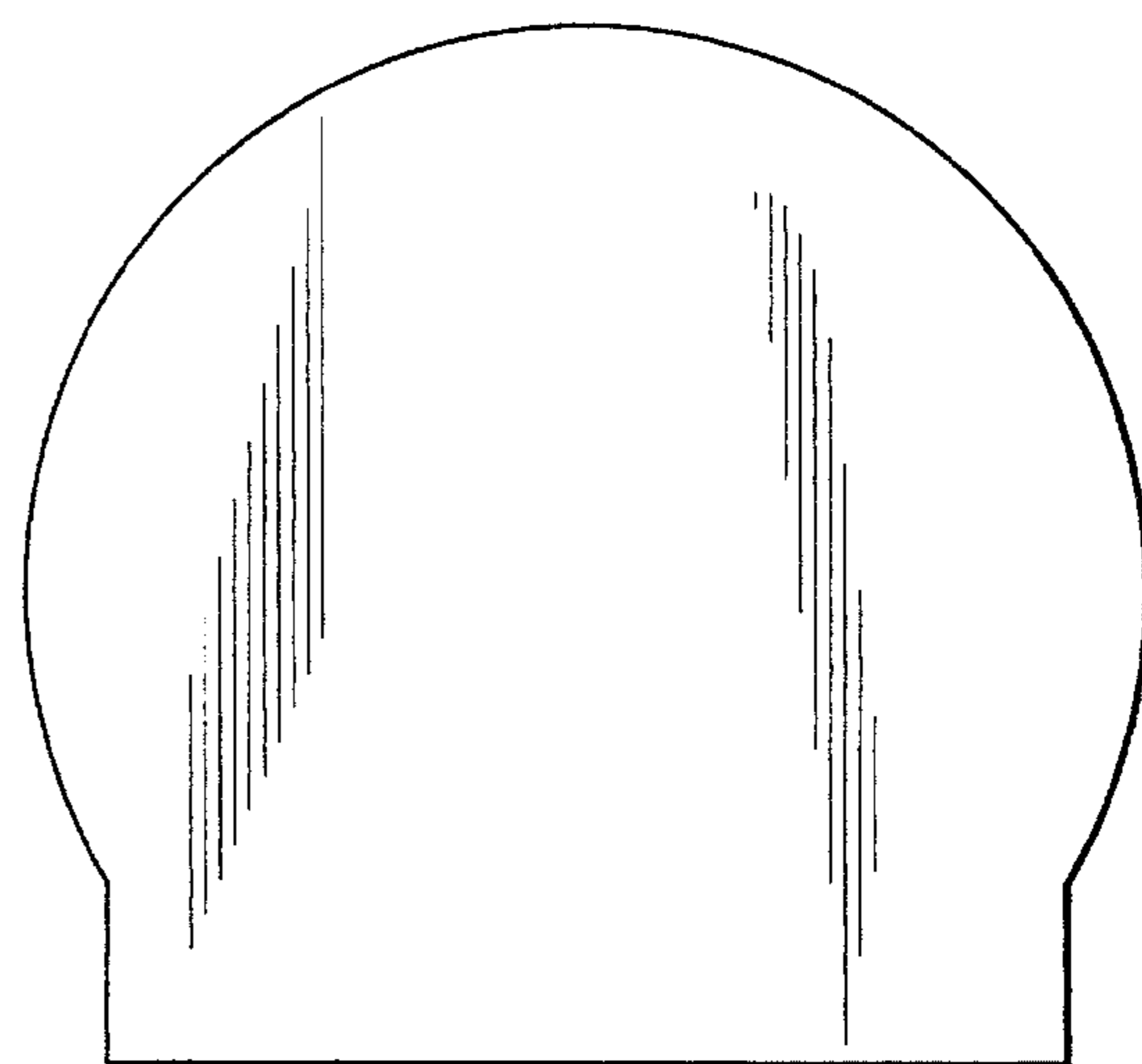


FIG. 3

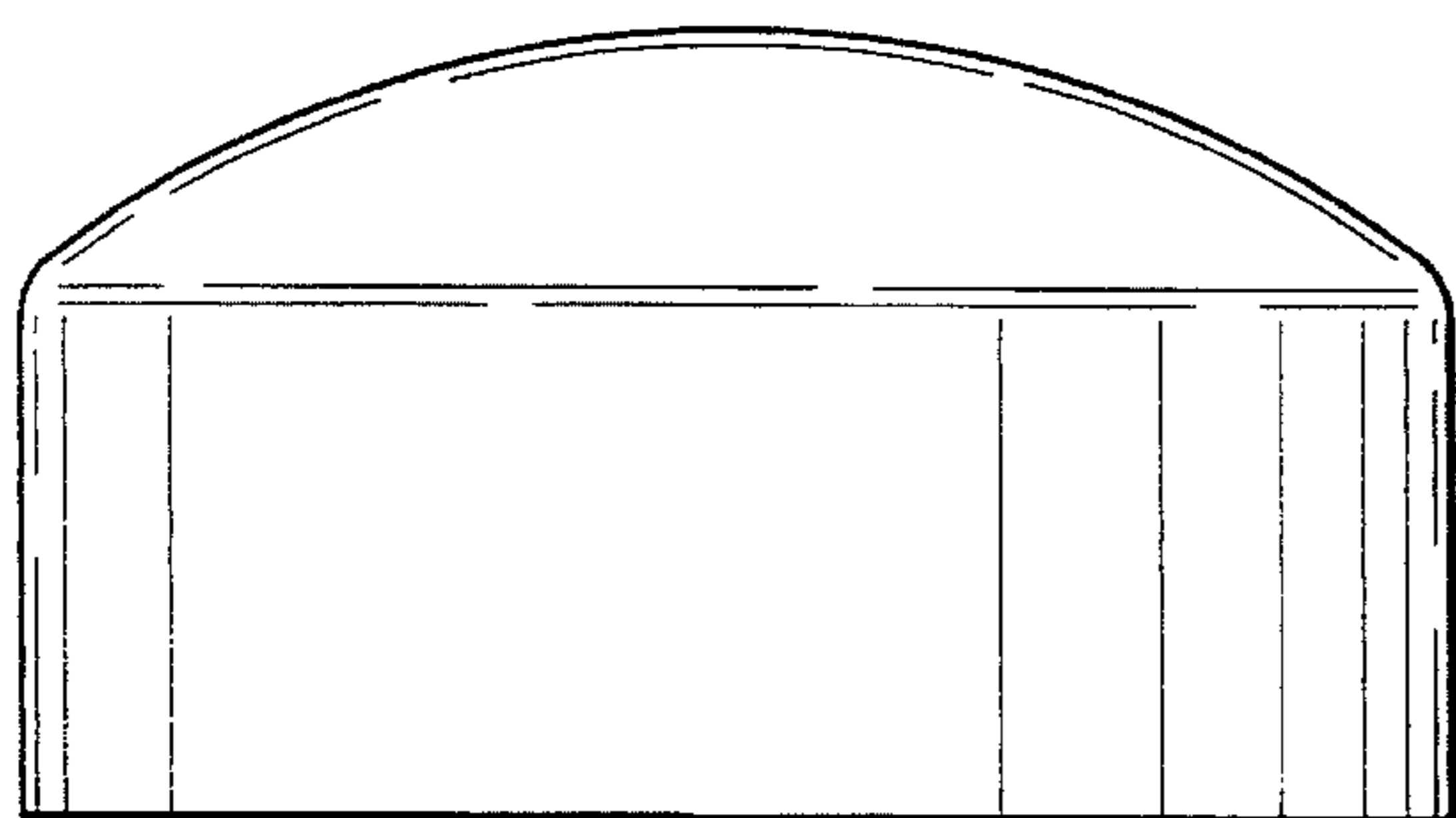


FIG. 4

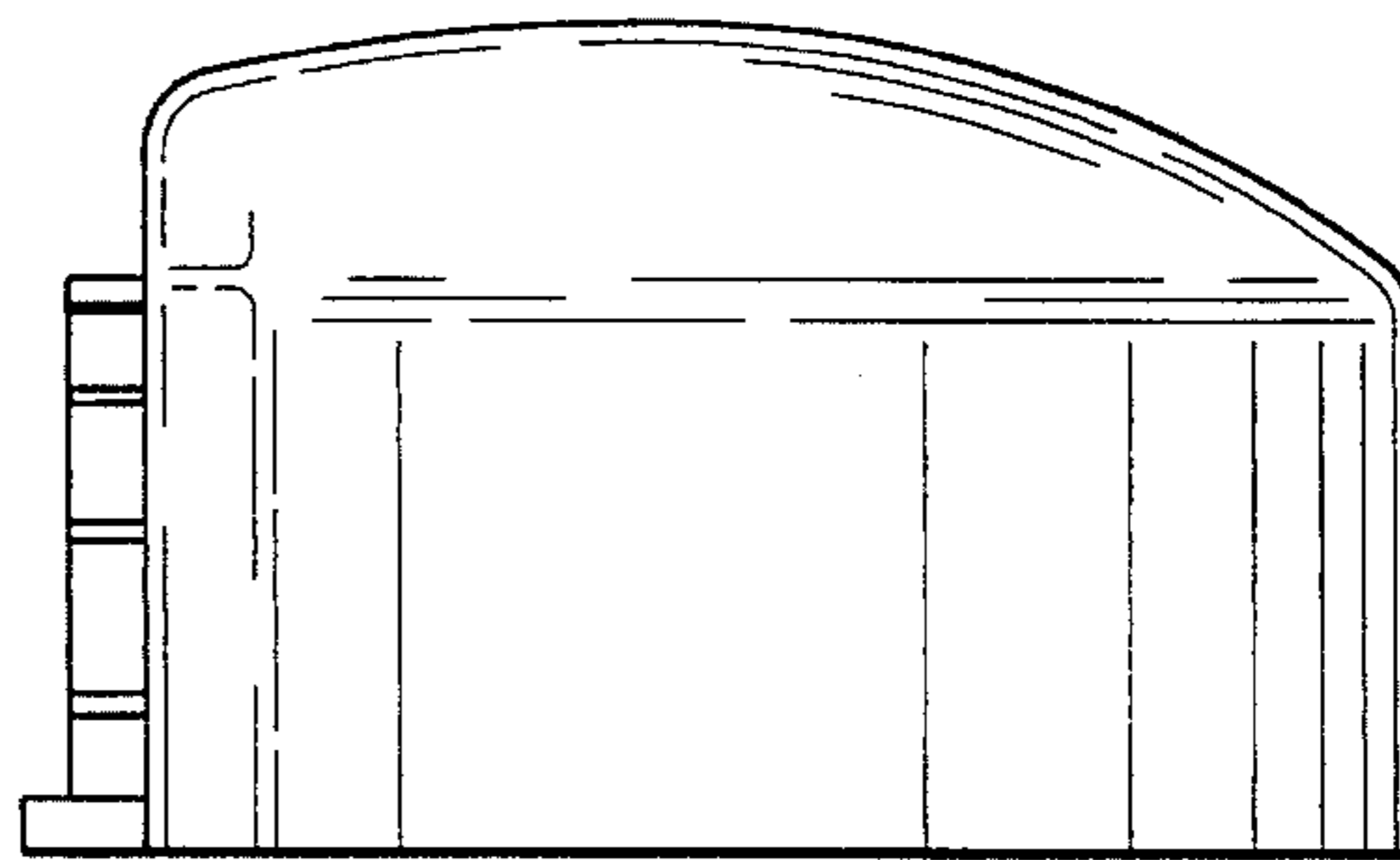


FIG. 5