



US00D367201S

**United States Patent** [19]  
**Joergensen**

[11] **Patent Number: Des. 367,201**

[45] **Date of Patent: \*\*Feb. 20, 1996**

[54] **ELECTRICAL JUG**

[75] Inventor: **Carsten Joergensen**, Kriens,  
Switzerland

[73] Assignee: **PI-Design AG**, Triegen, Switzerland

[\*\*] Term: **14 Years**

[21] Appl. No.: **12,539**

[22] Filed: **Sep. 3, 1993**

[52] U.S. Cl. .... **D7/305**; D7/317; D7/318

[58] Field of Search ..... D7/300, 302, 303,  
D7/312, 316, 317, 318, 319, 320, 321,  
322, 598, 600, 608, 622, 507, 305; 272/465.1,  
466, 475.1

[56] **References Cited**

**U.S. PATENT DOCUMENTS**

D. 115,411	6/1939	Lacy	.....	D7/300
D. 285,160	8/1986	Osit	.....	D7/317
D. 287,807	1/1987	Wilson	.....	D7/319 X
D. 302,093	7/1989	Palsby	.....	D7/319 X
D. 307,857	5/1990	Grome et al.	.....	D7/321 X
D. 312,552	12/1990	Carlson	.....	D7/321
D. 313,555	1/1991	Jordi	.....	D7/316 X

D. 335,238	5/1993	Correa et al.	.....	D7/318 X
D. 335,239	5/1993	Crunden et al.	.....	D7/316 X
4,040,549	8/1977	Sadler	.....	D7/507 X
4,967,939	11/1990	Taylor	.....	222/465.1 X

**OTHER PUBLICATIONS**

Kettle By Gwyn, Design 415, p. 4 Jul. 1983.  
Cordless Kettle Design 473 p. 45 May 1988.

*Primary Examiner*—Alan P. Douglas  
*Assistant Examiner*—M. N. Pandozzi  
*Attorney, Agent, or Firm*—J. W. Gipple; Gipple & Hale

[57] **CLAIM**

The ornamental design for a electrical jug, as shown and described.

**DESCRIPTION**

FIG. 1 is a left side elevational view of an electrical jug showing my new design;  
FIG. 2 is a rear elevational view thereof;  
FIG. 3 is a front elevational view thereof;  
FIG. 4 is a perspective view thereof;  
FIG. 5 is a right side elevational view thereof; and,  
FIG. 6 is a bottom plan view thereof.

**1 Claim, 6 Drawing Sheets**

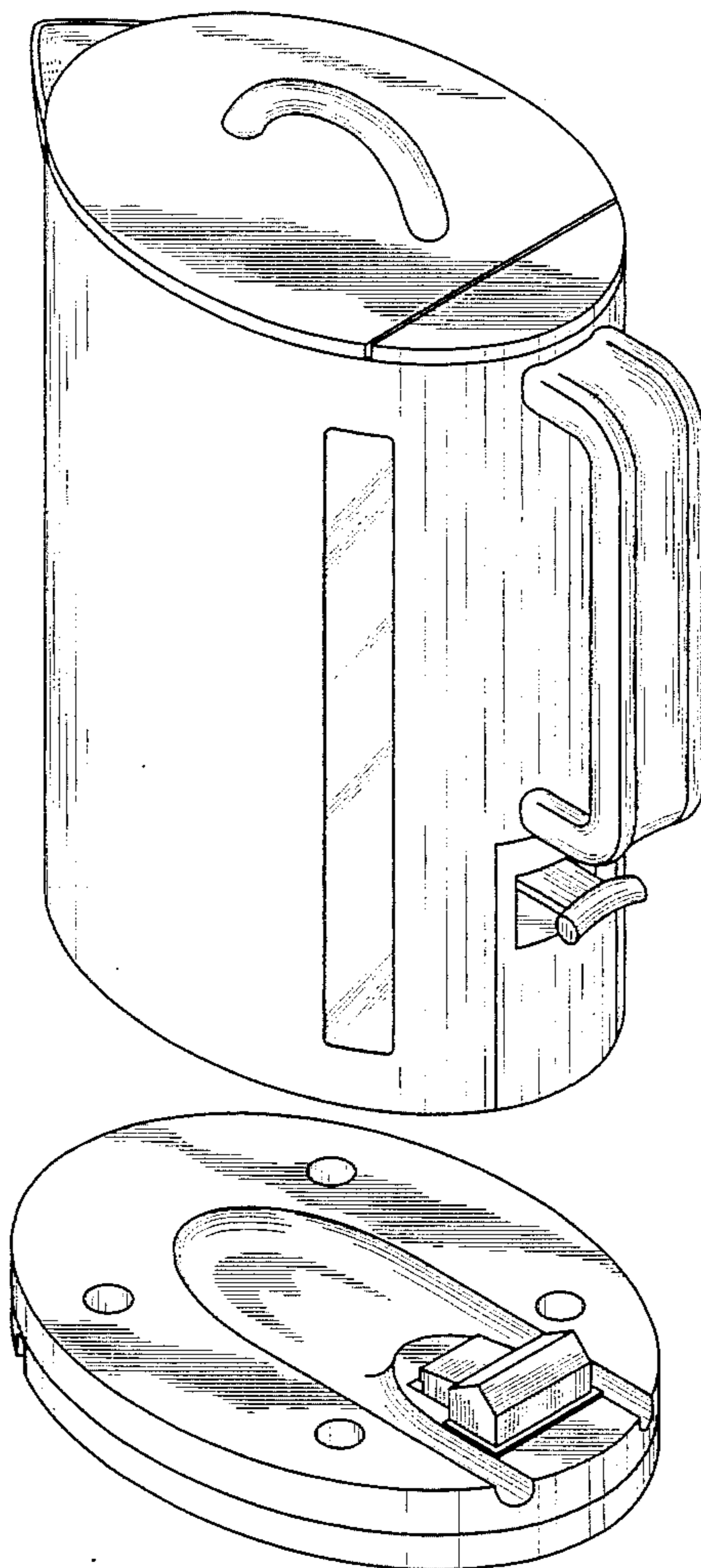
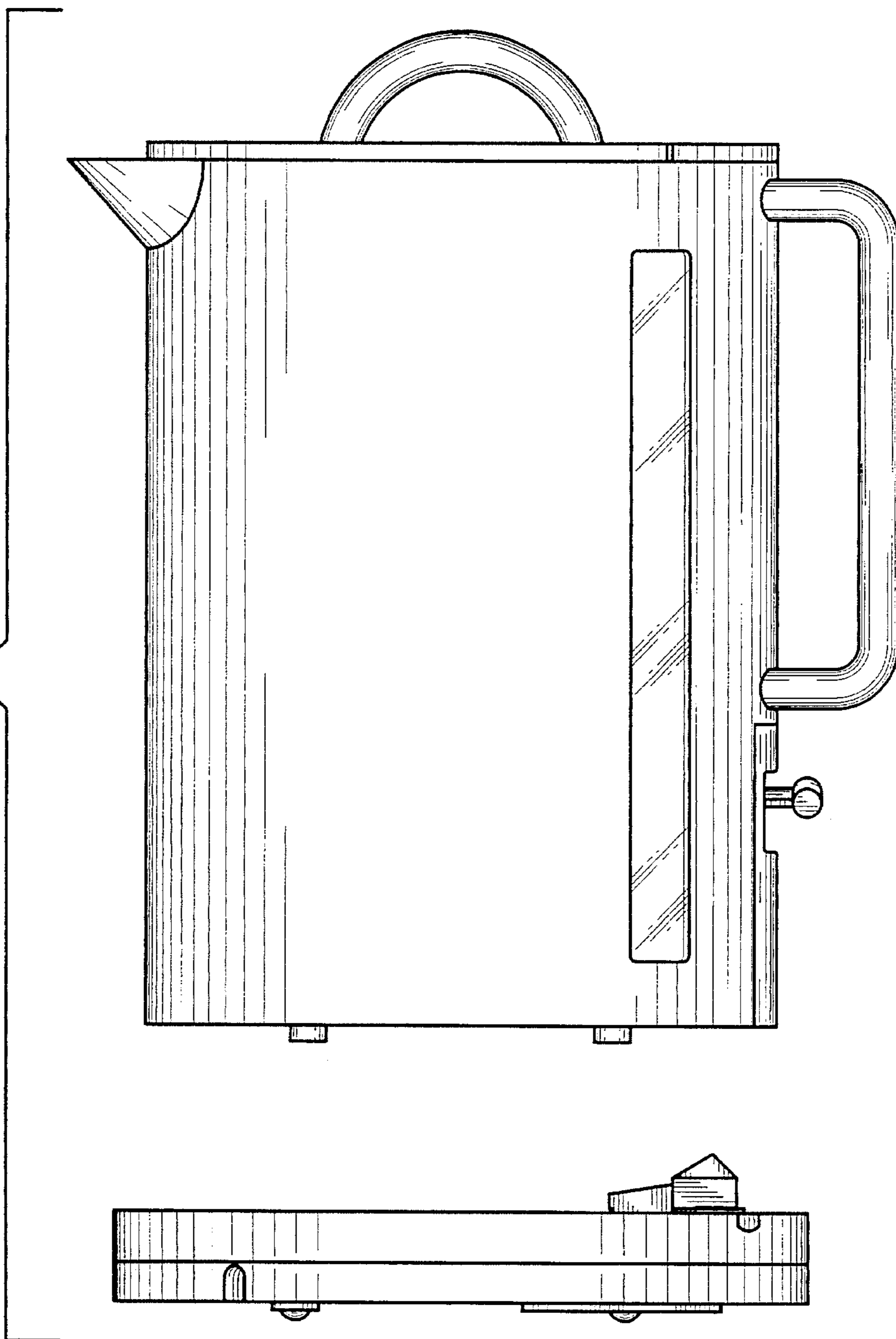
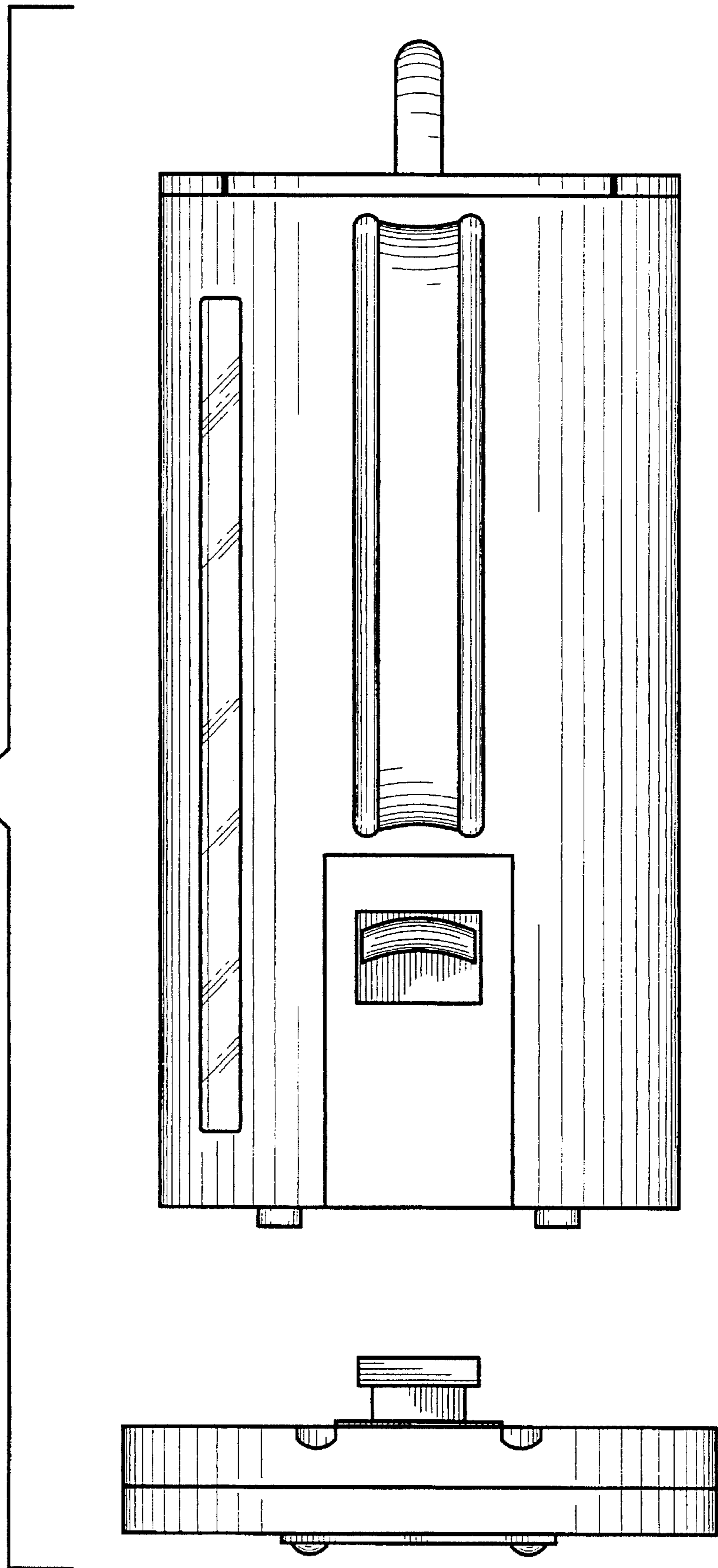


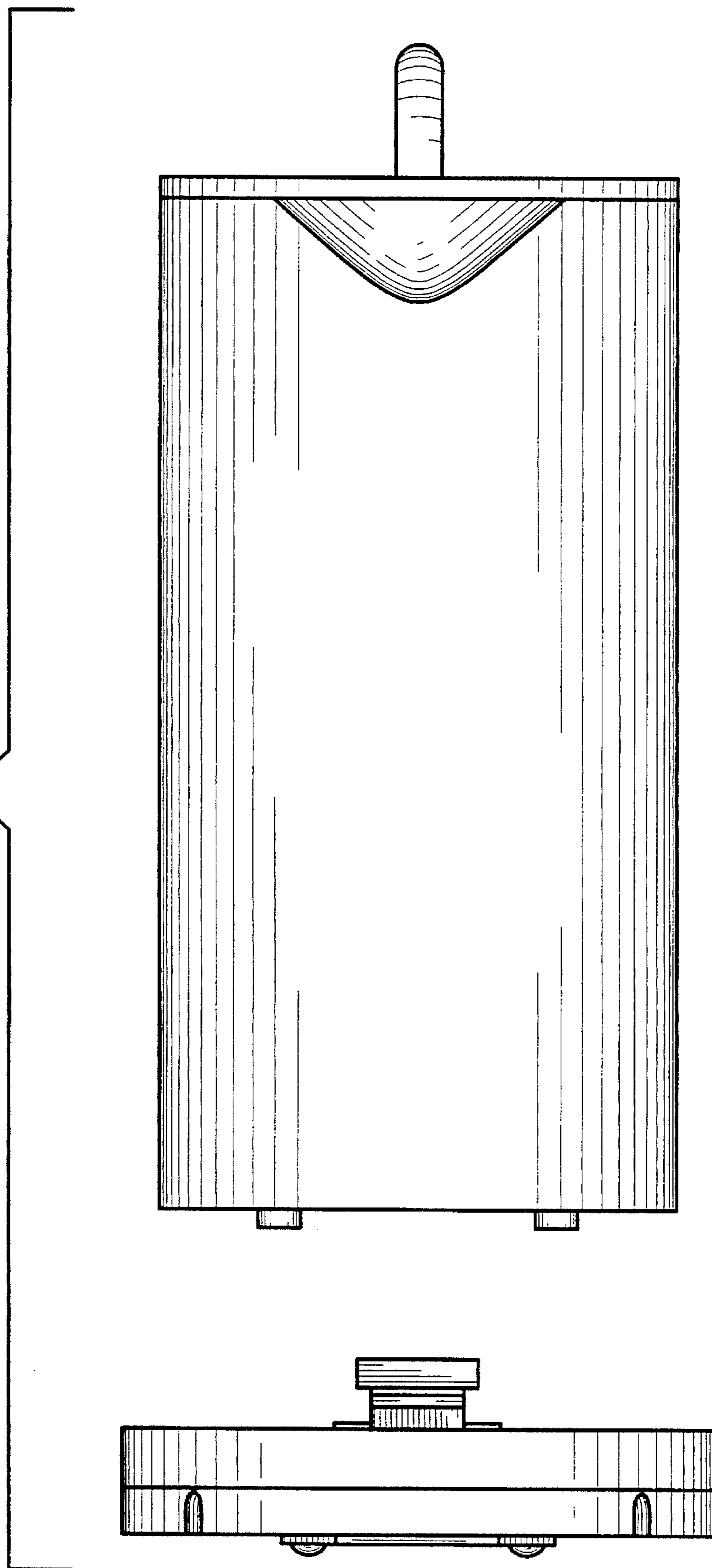
FIG. 1



**FIG. 2**



**FIG. 3**



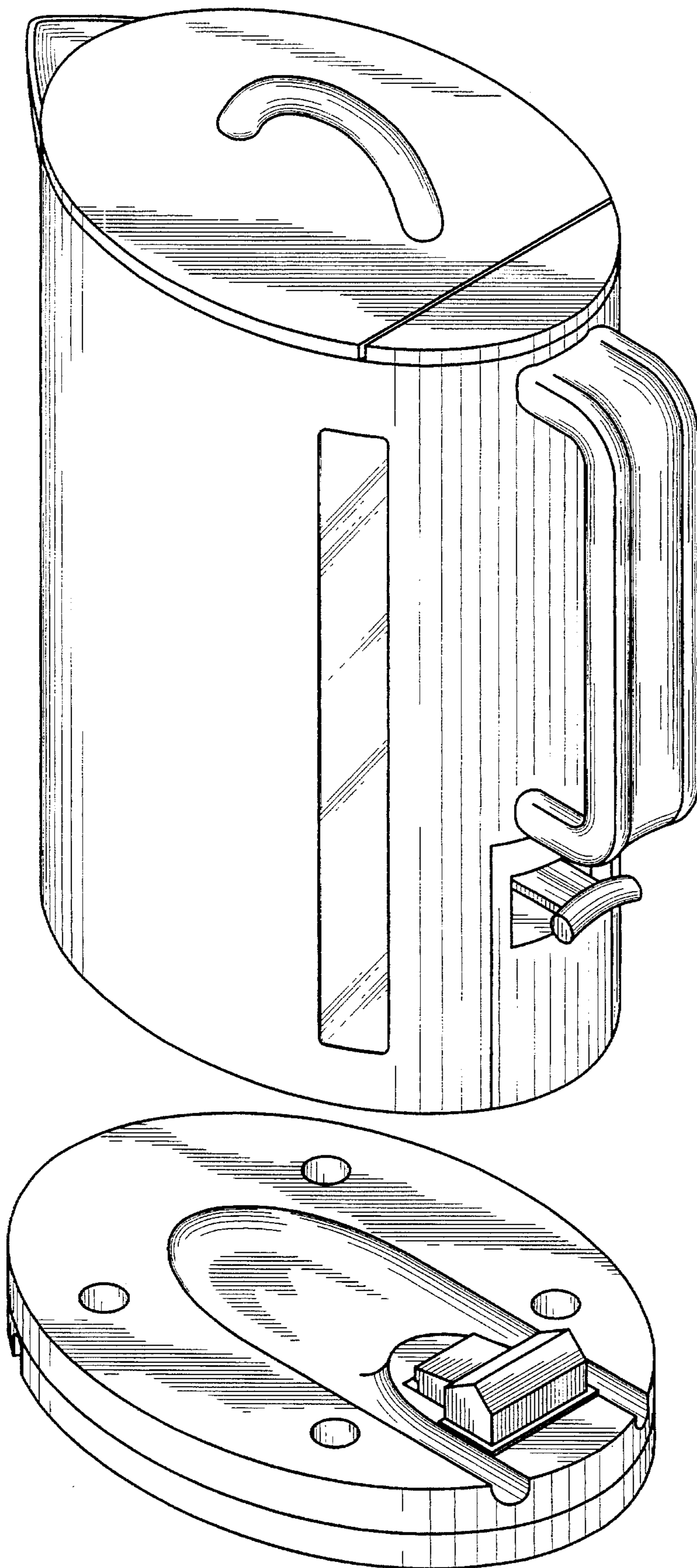
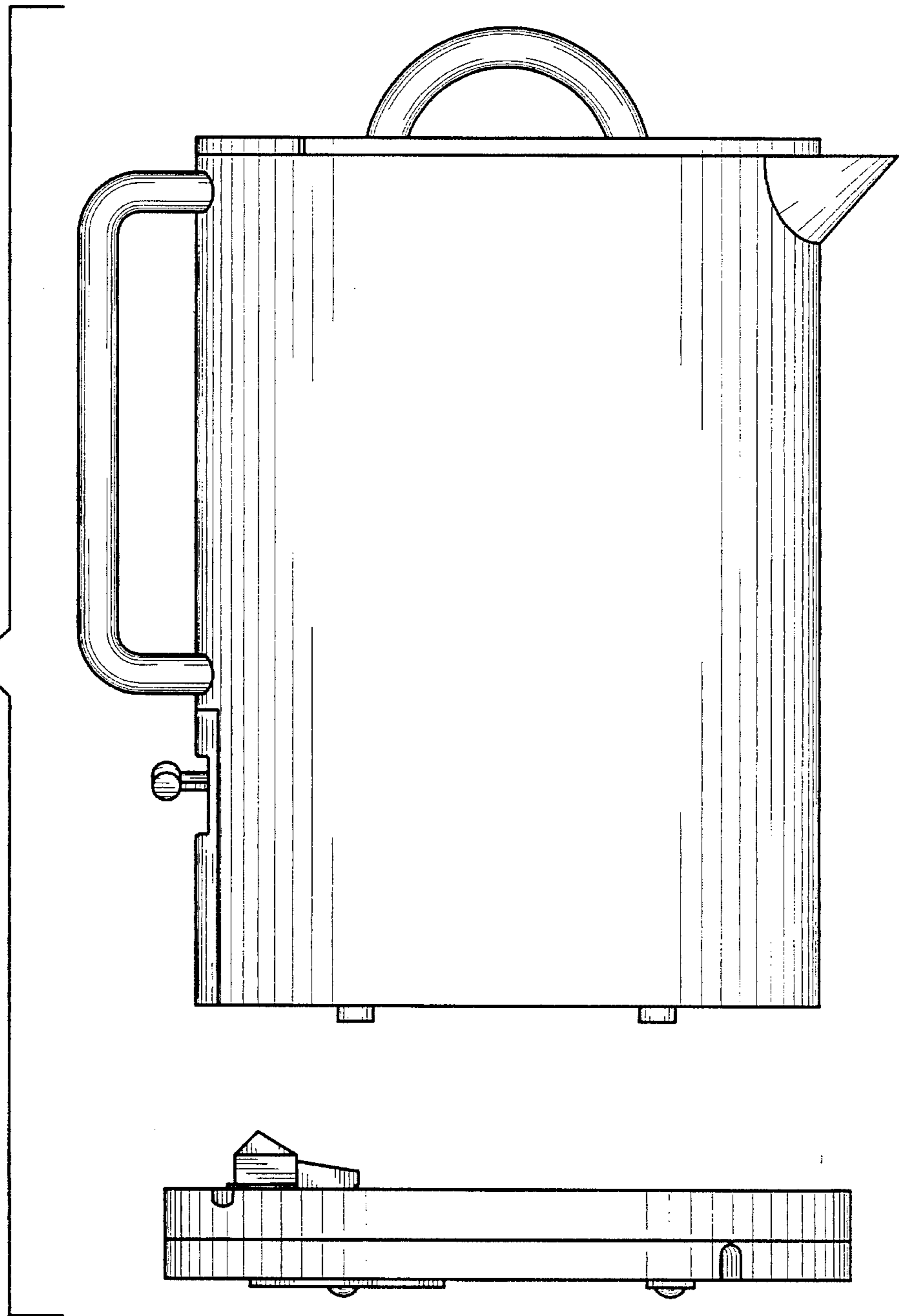


FIG. 4

FIG. 5



*FIG. 6*

