



US00D367200S

**United States Patent** [19]  
**Brown**

[11] **Patent Number: Des. 367,200**

[45] **Date of Patent: \*\*Feb. 20, 1996**

[54] **STIRRER**

[75] Inventor: **Carl T. Brown**, Laguna Niguel, Calif.

[73] Assignee: **Interport International, Inc.**, Corona Del Mar, Calif.

[\*\*] Term: **14 Years**

[21] Appl. No.: **31,482**

[22] Filed: **Nov. 29, 1994**

[52] U.S. Cl. .... **D7/300.2; D19/51**

[58] Field of Search ..... **D7/300.2; D19/43, D19/51; 215/388; 416/70 R, 71**

[56] **References Cited**

**U.S. PATENT DOCUMENTS**

D. 259,792 7/1981 Itoh et al. .... D19/51

D. 271,836 12/1983 Border ..... D7/300.2  
D. 313,245 12/1990 Iwase ..... D19/43  
D. 323,529 1/1992 Rousseau ..... D19/43 X  
4,340,175 7/1982 Danek et al. .... D7/300.2 X

*Primary Examiner*—Terry A. Wallace  
*Attorney, Agent, or Firm*—Stetina Brunda & Buyan

[57] **CLAIM**

The ornamental design for a stirrer, as shown and described.

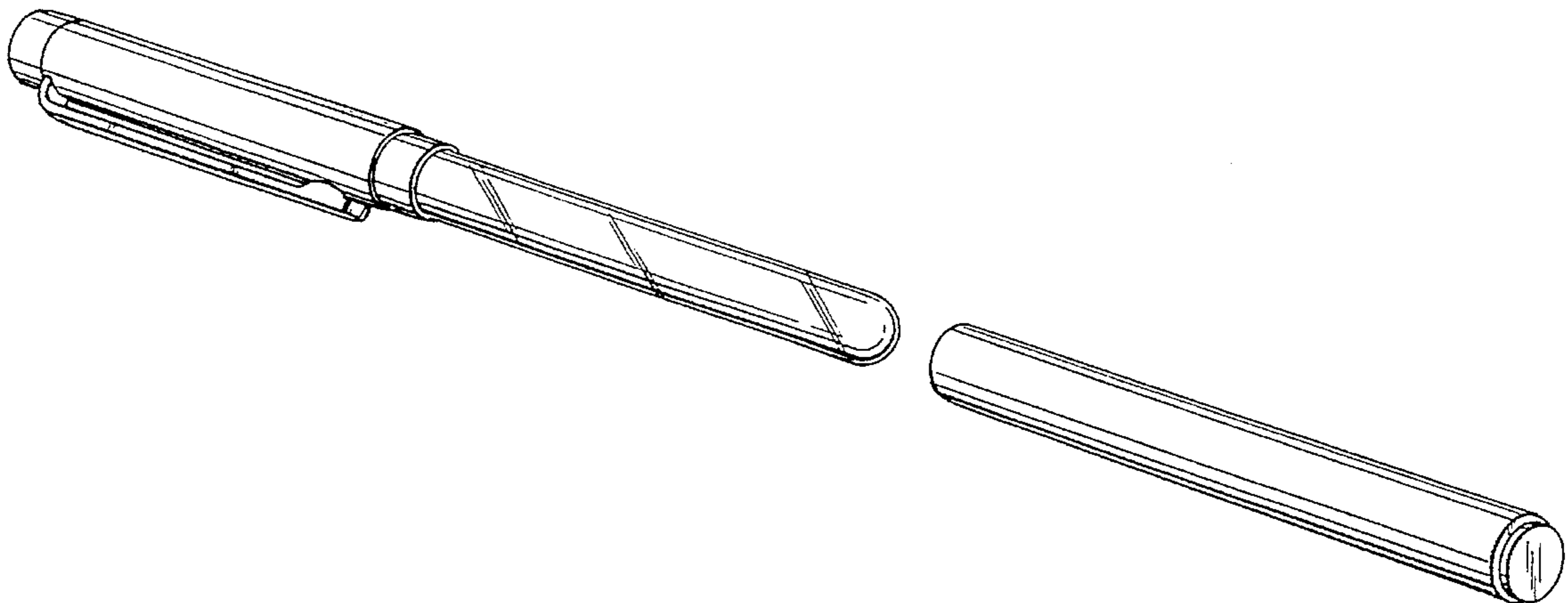
**DESCRIPTION**

FIG. 1 is a front perspective view of a stirrer showing my new design;

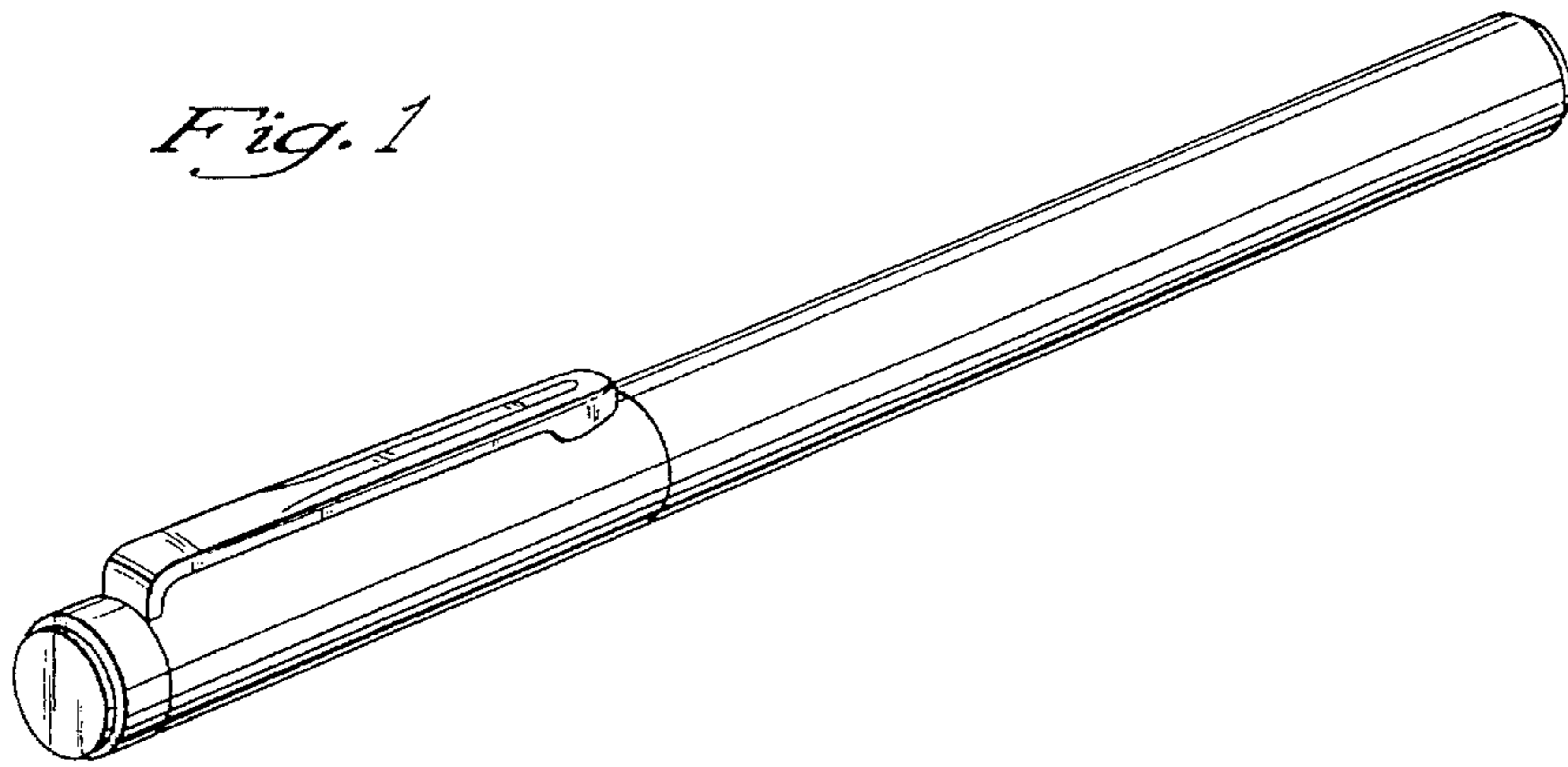
FIG. 2 is a rear perspective view thereof; and,

FIG. 3 is an exploded perspective view thereof.

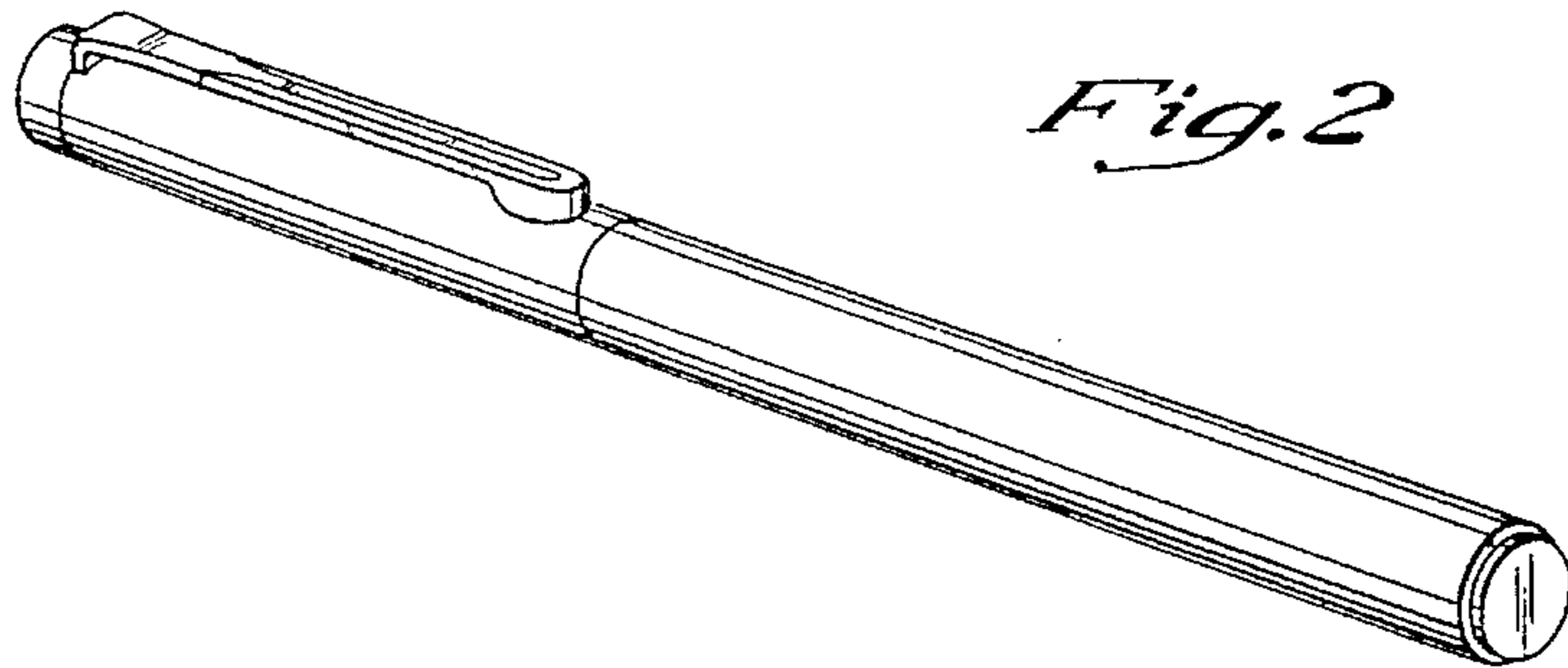
**1 Claim, 1 Drawing Sheet**



*Fig. 1*



*Fig. 2*



*Fig. 3*

