



US00D367195S

United States Patent [19]
Whittington

[11] **Patent Number: Des. 367,195**

[45] **Date of Patent: **Feb. 20, 1996**

[54] **MERCHANDISER**

[75] Inventor: **Paul Whittington**, Thornhill, Canada

[73] Assignee: **Gorrie Advertising Management Limited**, Mississauga, Canada

[**] Term: **14 Years**

[21] Appl. No.: **31,820**

[22] Filed: **Dec. 7, 1994**

[52] **U.S. Cl.** **D6/509**; D6/476

[58] **Field of Search** D6/509, 408, 510,
D6/511, 466, 467, 449, 450, 451, 476;
211/134, 135, 137, 186; 206/45

[56] **References Cited**

U.S. PATENT DOCUMENTS

4,697,712	10/1987	Valiulis	211/134	X
4,762,235	8/1988	Howard et al.	211/187	X
4,765,492	8/1988	Howard et al.	D6/449	X

Primary Examiner—Alan P. Douglas
Assistant Examiner—S. Snapp
Attorney, Agent, or Firm—Bereskin & Parr

[57] **CLAIM**

The ornamental design for a merchandiser, as shown and described.

DESCRIPTION

FIG. 1 is a left side, front perspective view of a first

embodiment of a merchandiser in accordance with the present invention, the merchandiser being mounted to a shelving unit shown in dotted lines;

FIG. 2 is a top view of the merchandiser shown in FIG. 1; FIG. 3 is a right side view of the merchandiser shown in FIG. 1;

FIG. 4 is a front view of the merchandiser shown in FIG. 1, with the shelving unit further including one arrangement of lower shelves;

FIG. 5 is a front view of the merchandiser shown in FIG. 1, with the shelving unit including another arrangement of lower shelves;

FIG. 6 is a front view of the merchandiser shown in FIG. 1, with the shelving unit including yet another arrangement of a lower shelf;

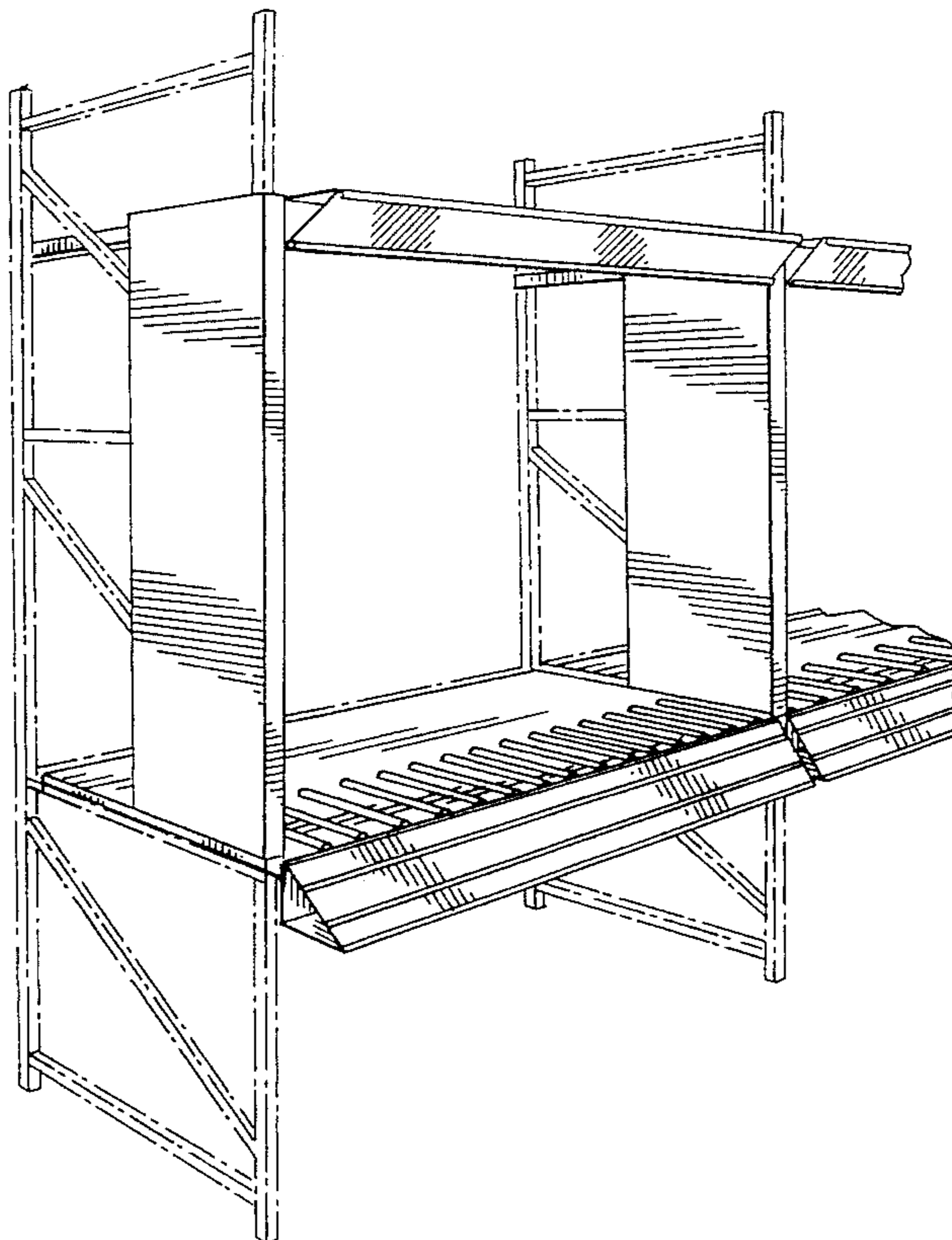
FIG. 7 is a left side, front perspective view of a second embodiment of a merchandiser in accordance with the present invention, the merchandiser being mounted to a shelving unit shown in dotted lines;

FIG. 8 is a top view of the merchandiser shown in FIG. 7; and,

FIG. 9 is a right side view of the merchandiser shown in FIG. 7.

The broken lines showing of a shelving unit is for illustrative purposes only and forms no part of the claimed design.

1 Claim, 9 Drawing Sheets



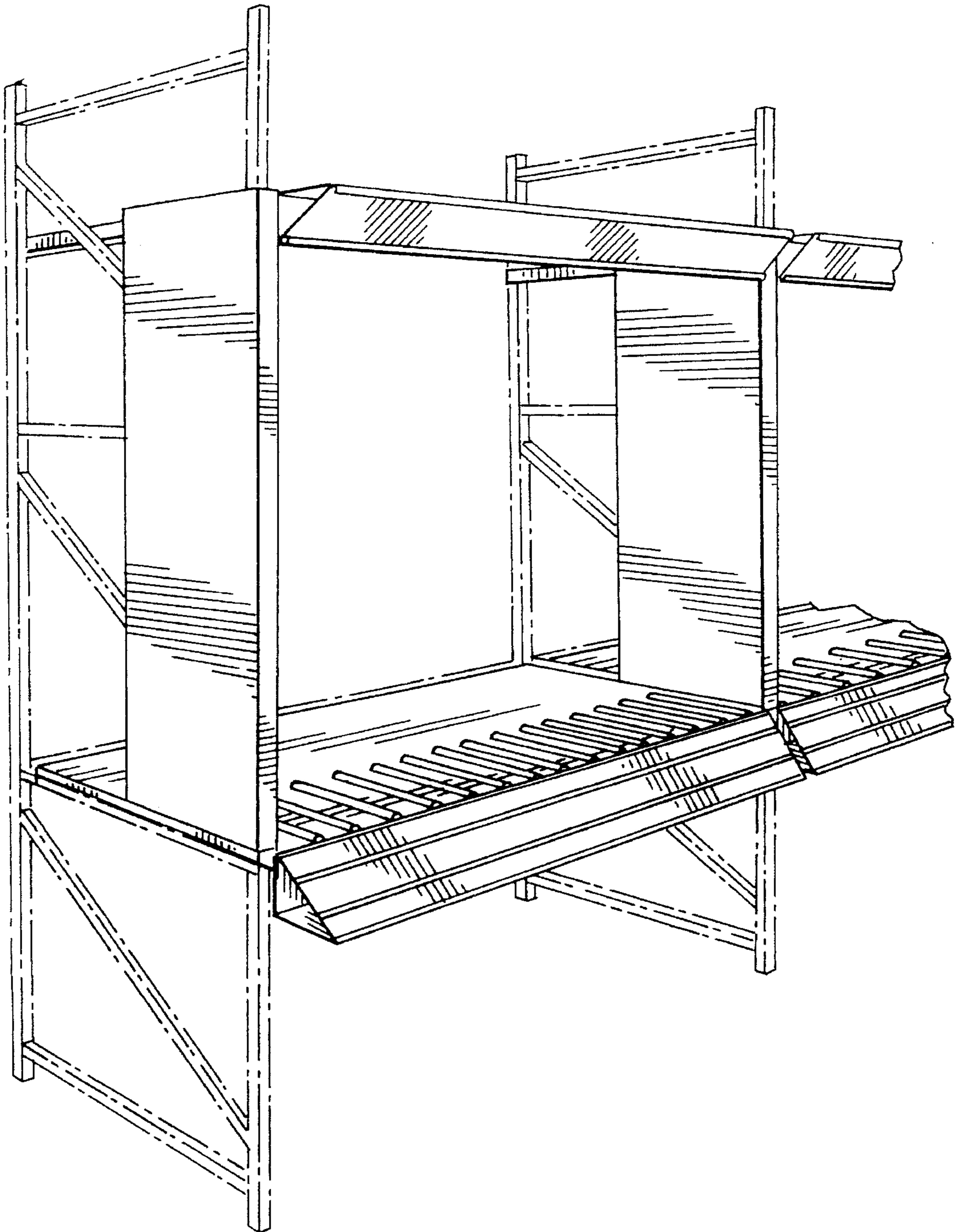


FIG. 1

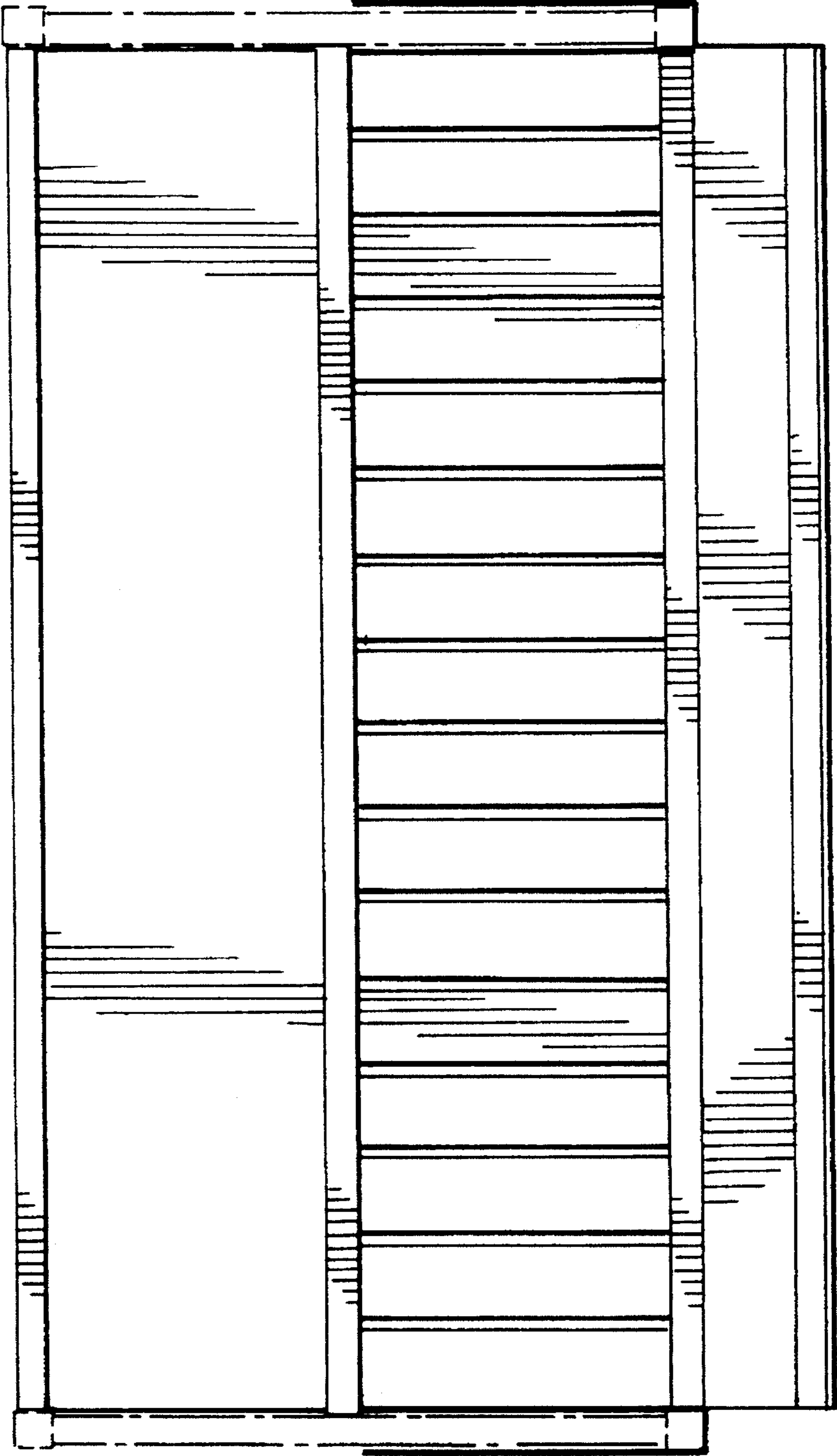


FIG. 2

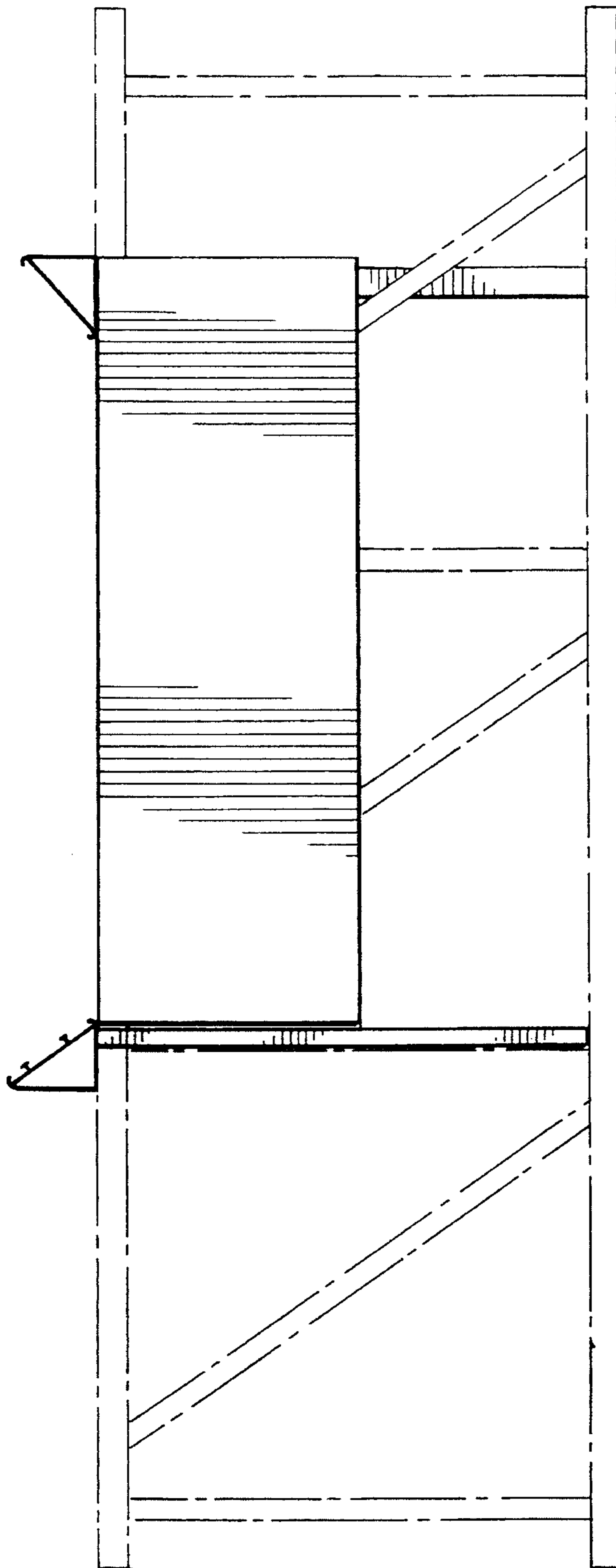


FIG. 3

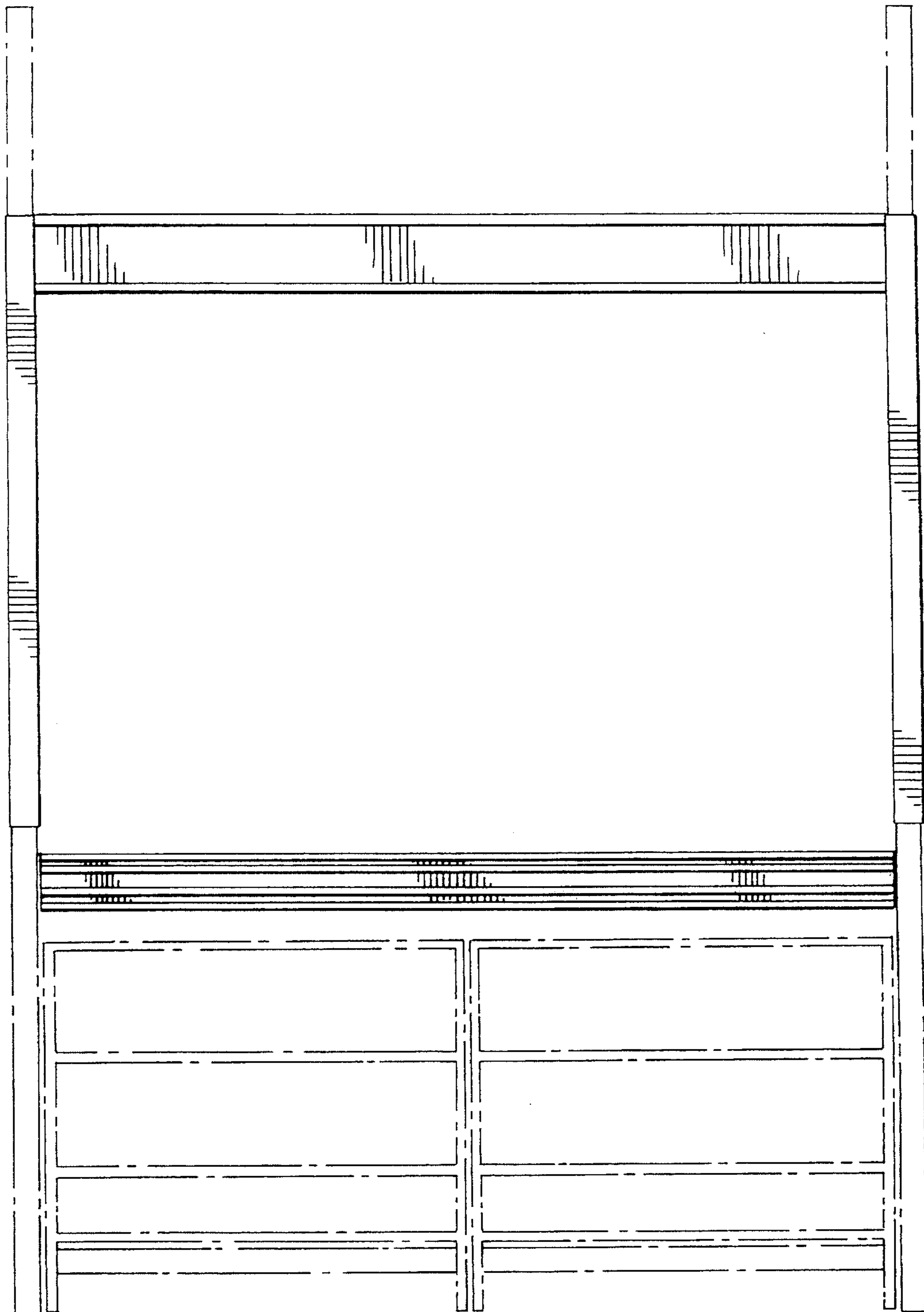


FIG.4

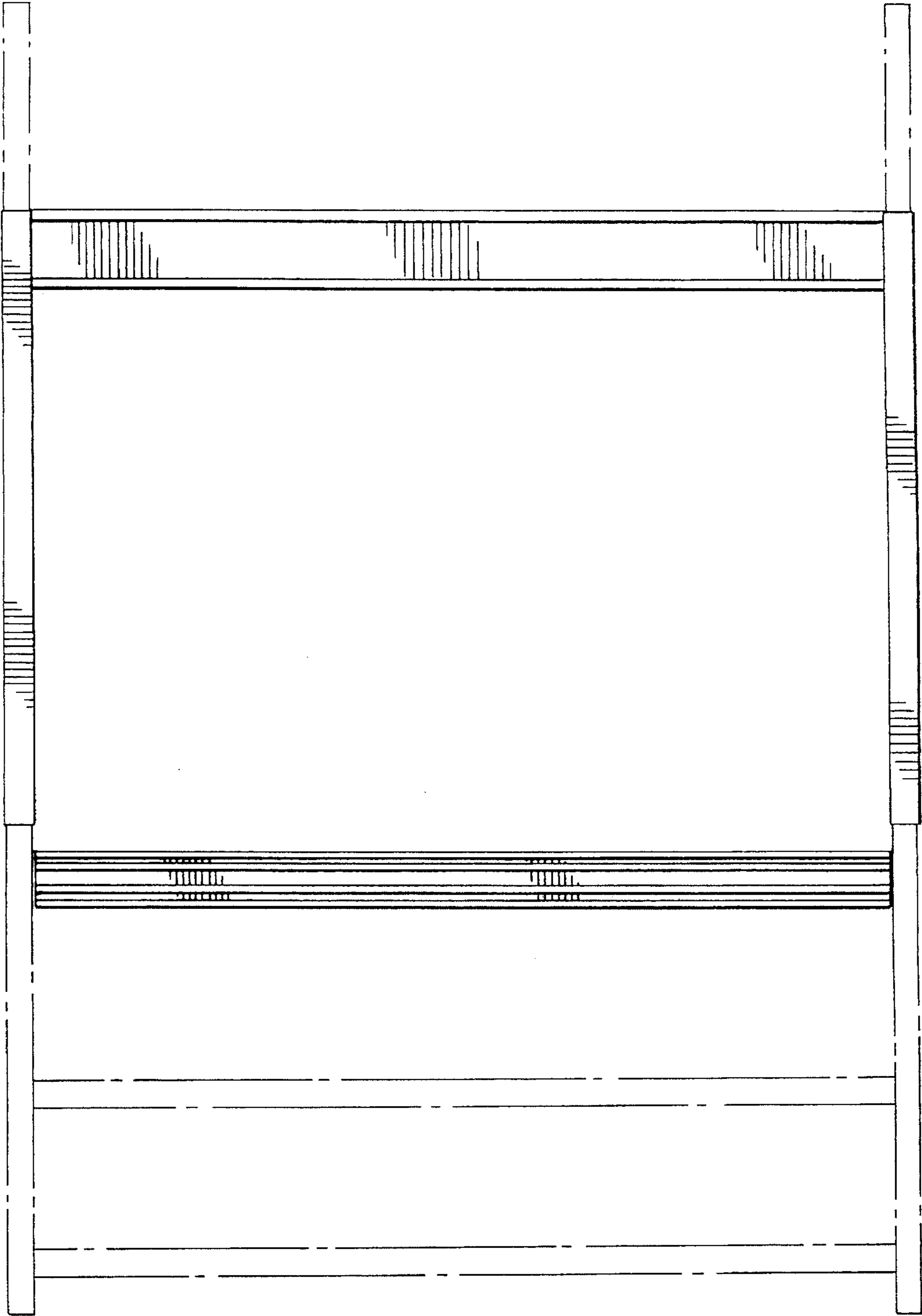


FIG. 5

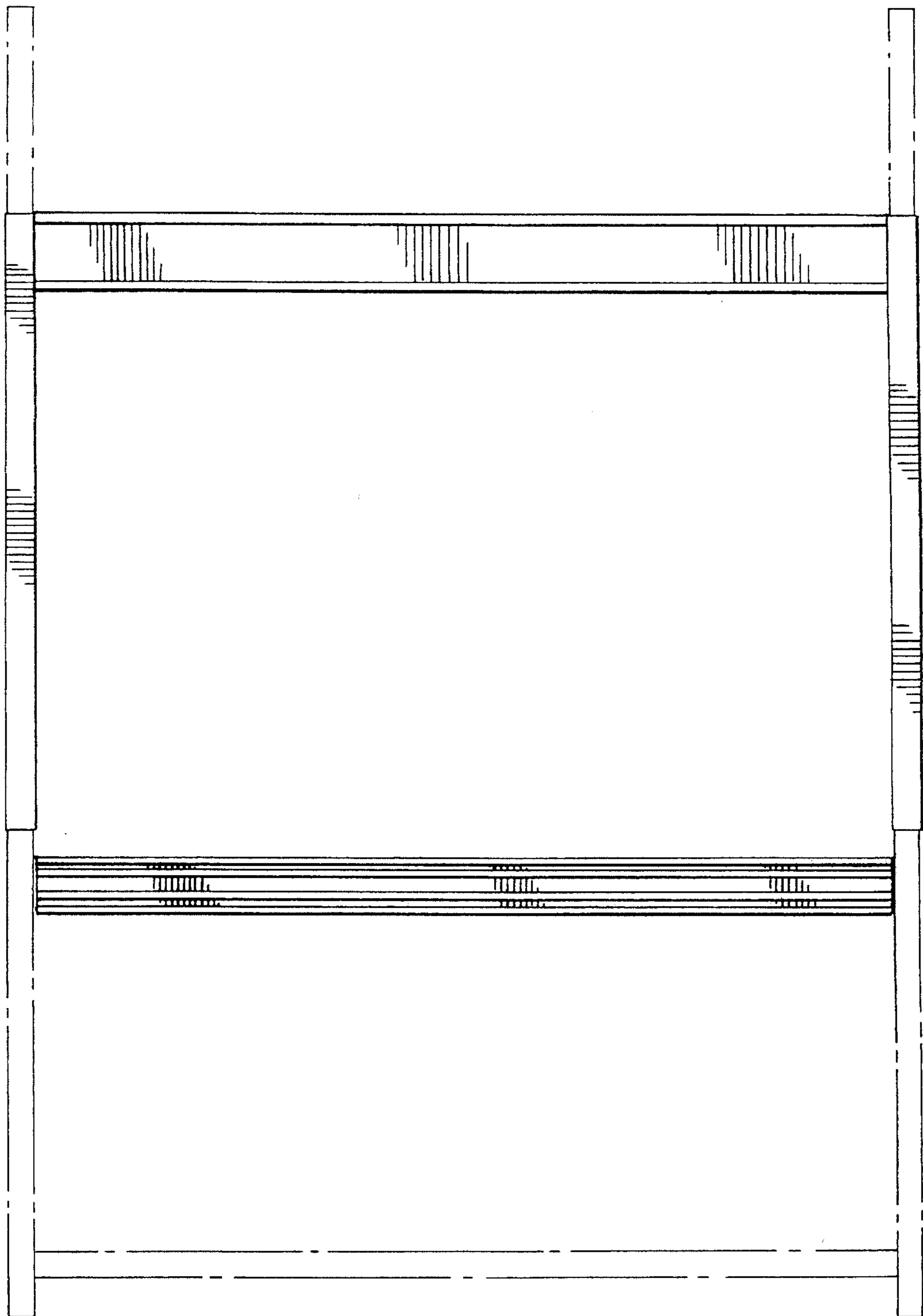


FIG. 6

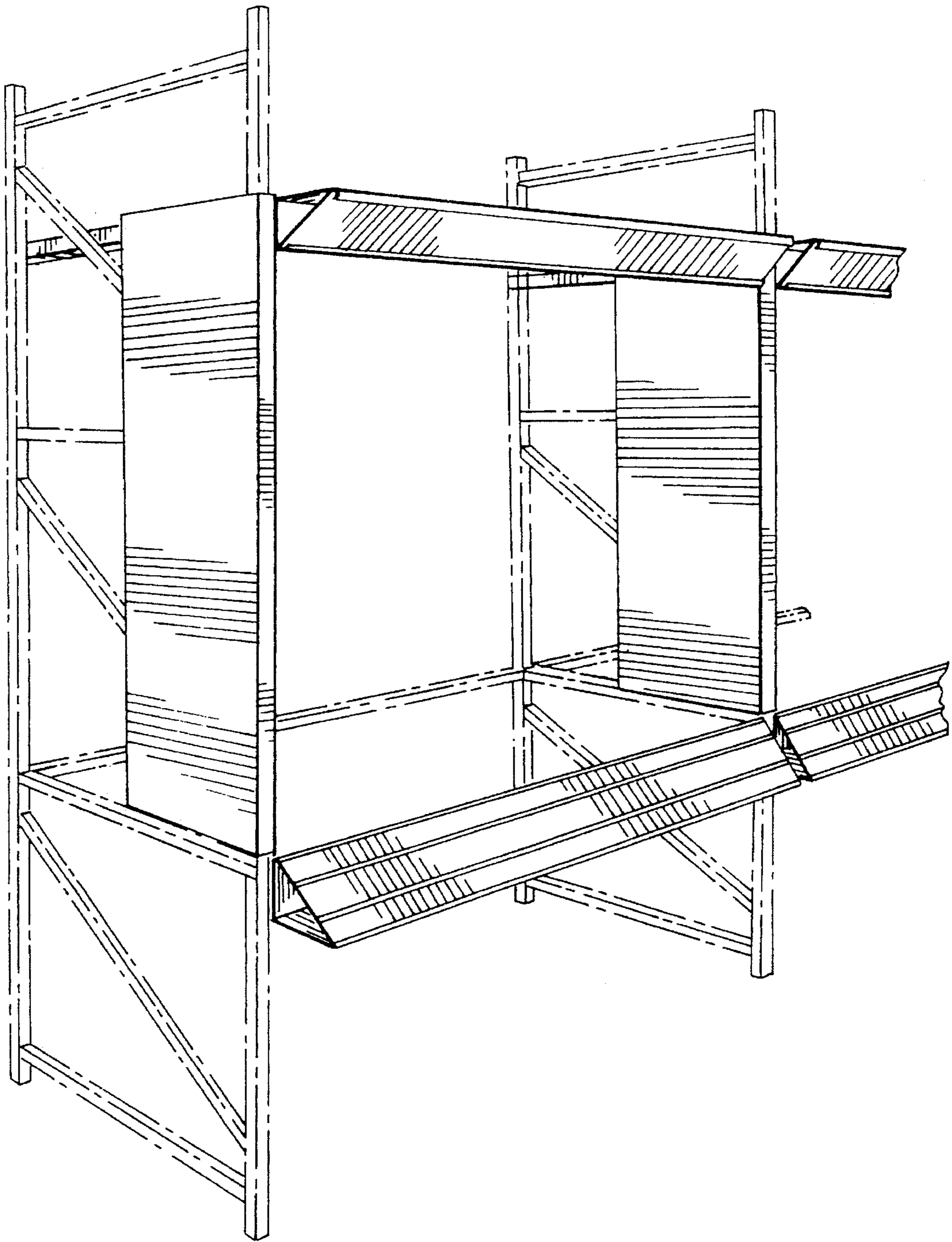


FIG. 7

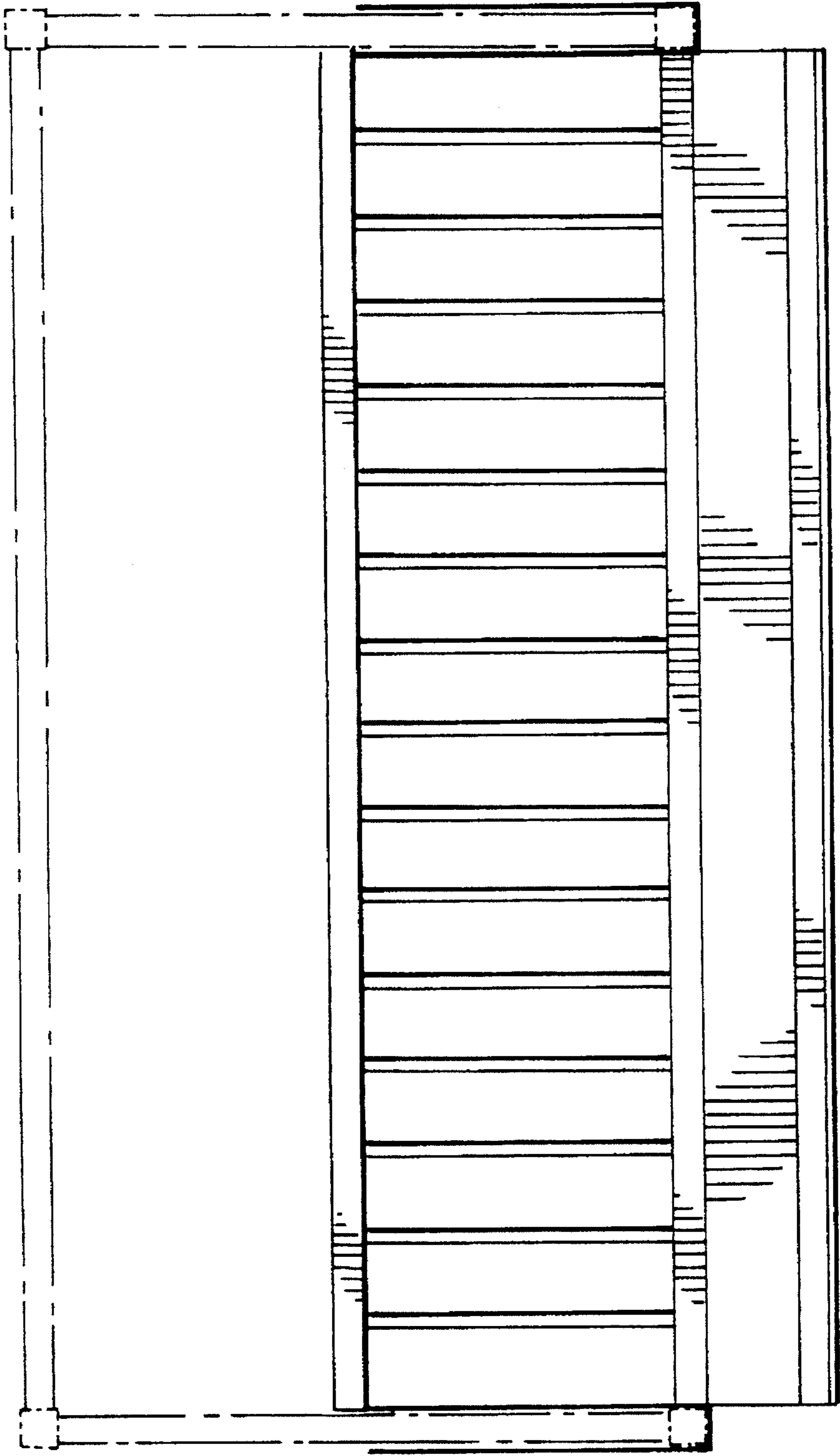


FIG. 8

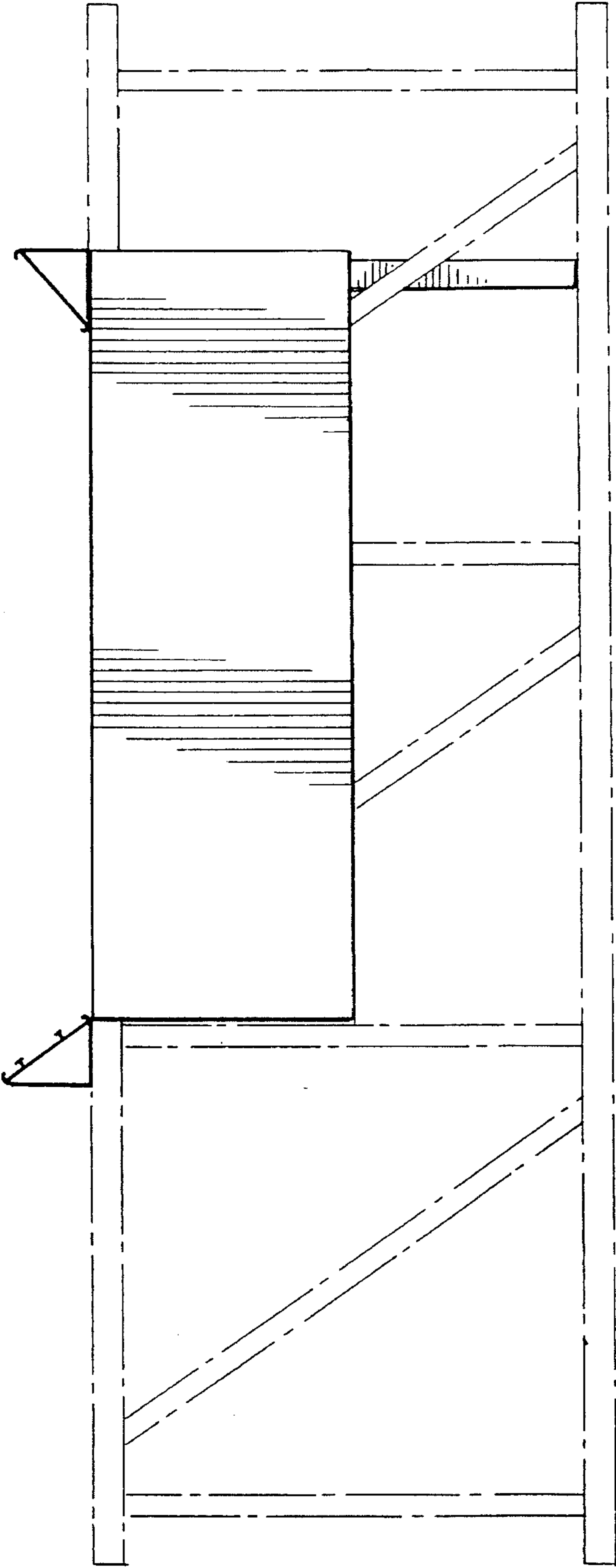


FIG. 9