



US00D367193S

# United States Patent [19]

[11] Patent Number: **Des. 367,193**

Dame et al.

[45] Date of Patent: **\*\*Feb. 20, 1996**

## [54] WORK SURFACE SUPPORT

[75] Inventors: **Paul G. Dame**, Holland, Mich.; **Walter K. Kaliber**, Hausen; **KarlHeinz Rubner**, Duernau, both of Germany; **David A. Immink**, Holland, Mich.

[73] Assignee: **Herman Miller, Inc.**, Zeeland, Mich.

[\*\*] Term: **14 Years**

[21] Appl. No.: **25,686**

[22] Filed: **Jul. 8, 1994**

[52] U.S. Cl. .... **D6/495**

[58] Field of Search ..... D6/480-489, 495, D6/497, 499; 108/153, 155, 156, 157, 161

## [56] References Cited

### U.S. PATENT DOCUMENTS

D. 144,565	4/1946	Hollis .....	D6/488
D. 259,551	6/1981	Oatman .....	D34/17
D. 308,444	6/1990	Burdick .....	D6/480
3,295,475	1/1967	McClellan .....	108/153

### FOREIGN PATENT DOCUMENTS

7532196	7/1976	Germany .
2612636.3	9/1977	Germany .
7801895	6/1978	Germany .
8002182	5/1980	Germany .
8233079.4	4/1983	Germany .
3301658.5	8/1983	Germany .
3415850.2	10/1985	Germany .

3602549.6	8/1987	Germany .
8709244.1	11/1987	Germany .
8803519.0	12/1988	Germany .
9002622.5	6/1990	Germany .
9004437.1	8/1990	Germany .
9100401	11/1991	Germany .
9205585	1/1993	Germany .
9207562	2/1993	Germany .
9300392	6/1993	Germany .
9208266	6/1993	Germany .
4218757.5	12/1993	Germany .
4220178.0	12/1993	Germany .

Primary Examiner—Janice E. Seeger

Attorney, Agent, or Firm—William Brinks Hofer Gilson & Lione

## [57] CLAIM

The ornamental design for a work surface support, as shown and described.

## DESCRIPTION

FIG. 1 is a front perspective view showing the work surface support of the present invention; the broken line showing of the work surface in this and the following figures is for illustrative purposes;

FIG. 2 is a side view thereof;

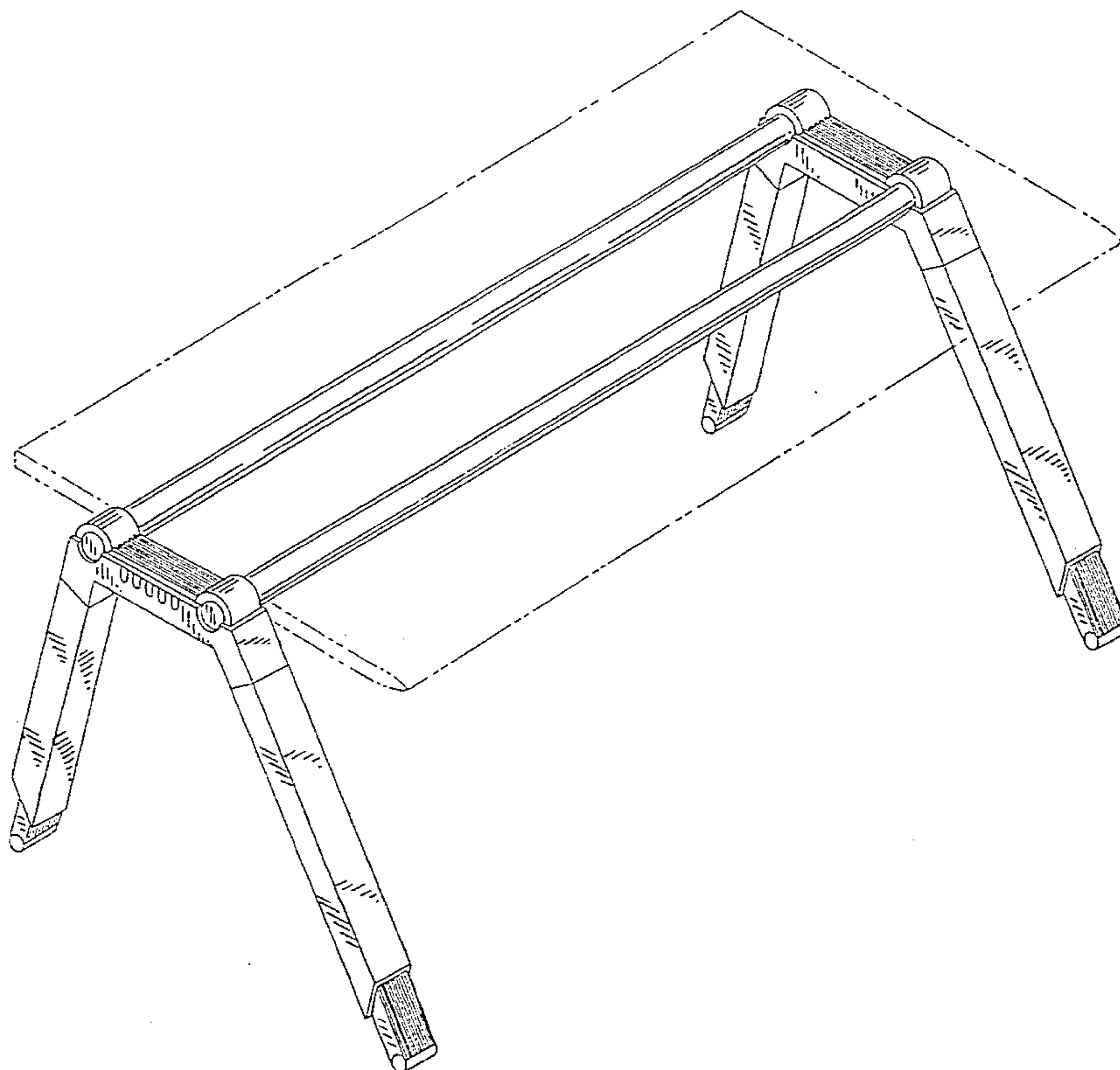
FIG. 3 is a front view thereof;

FIG. 4 is a rear view thereof;

FIG. 5 is a top view thereof; and,

FIG. 6 is a bottom view thereof.

**1 Claim, 3 Drawing Sheets**



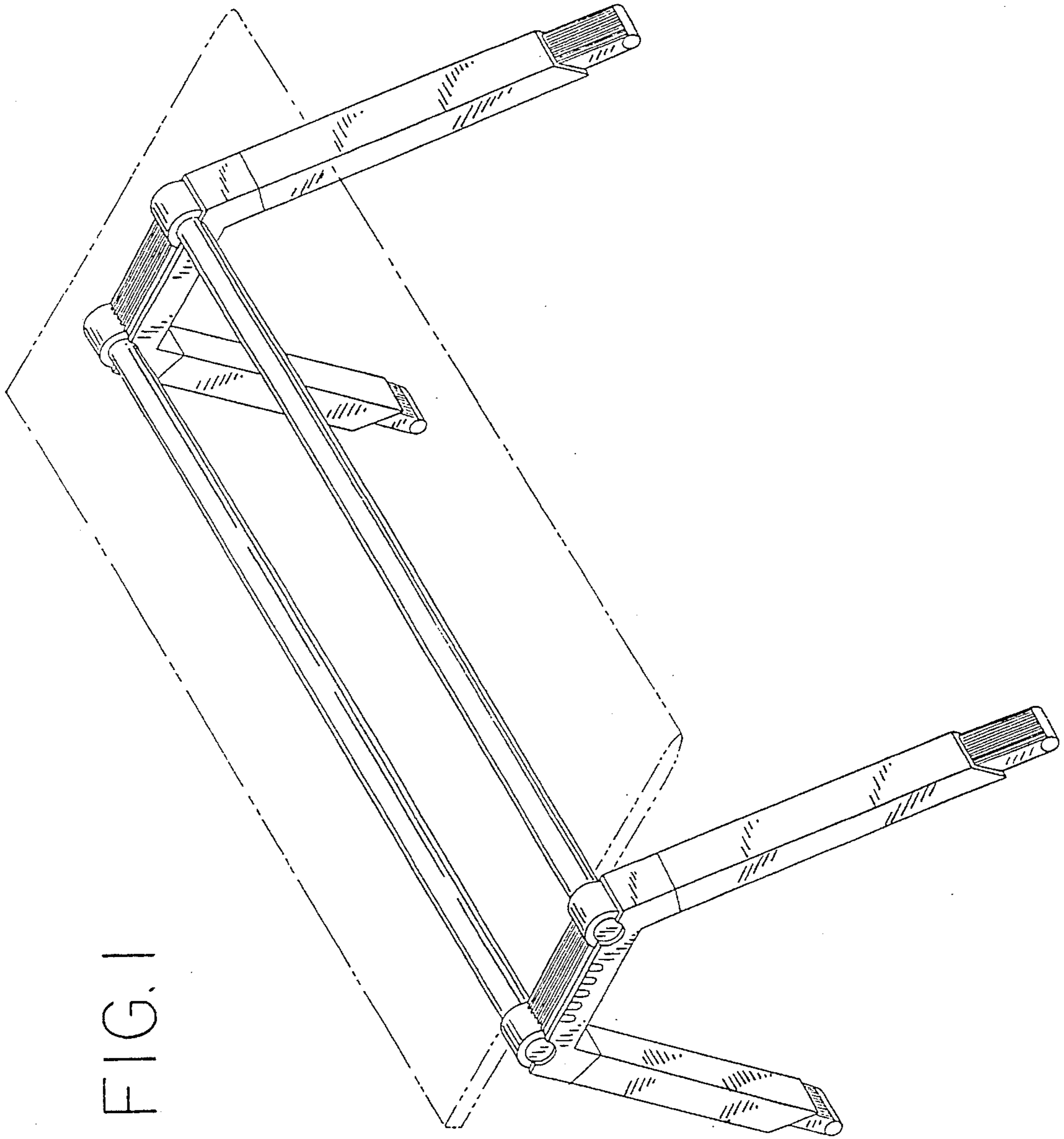


FIG. 1

FIG. 2

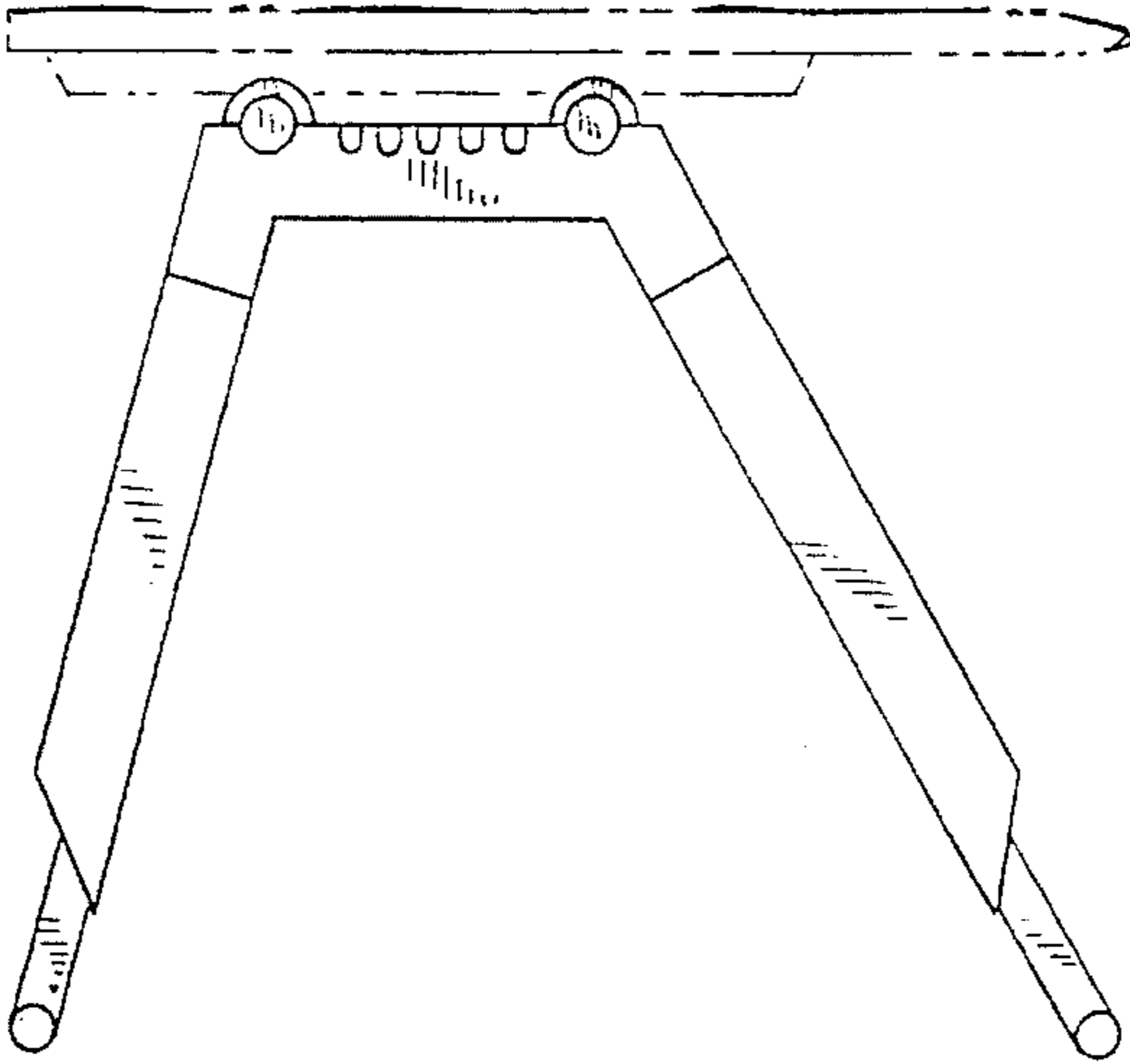


FIG. 3

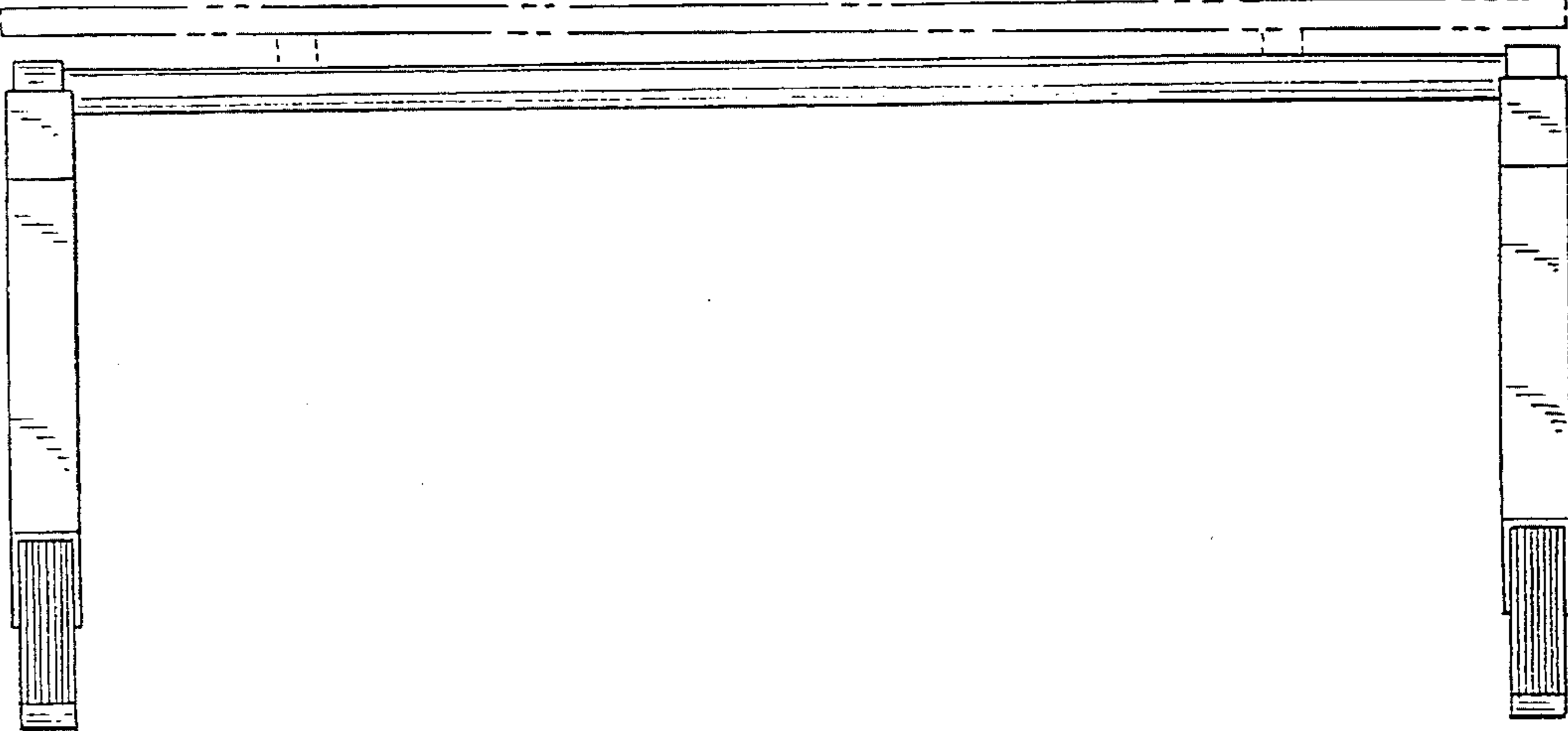


FIG. 4

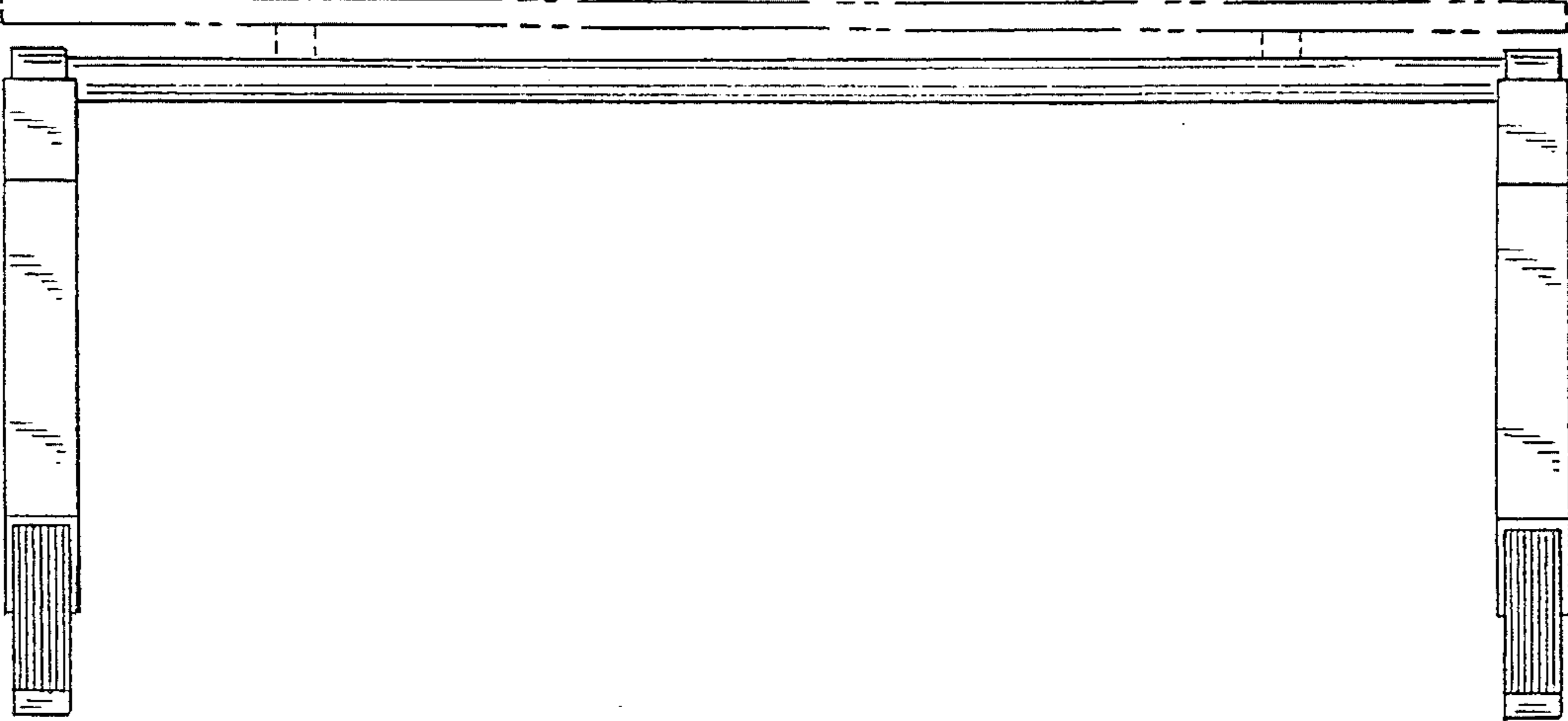


FIG. 5

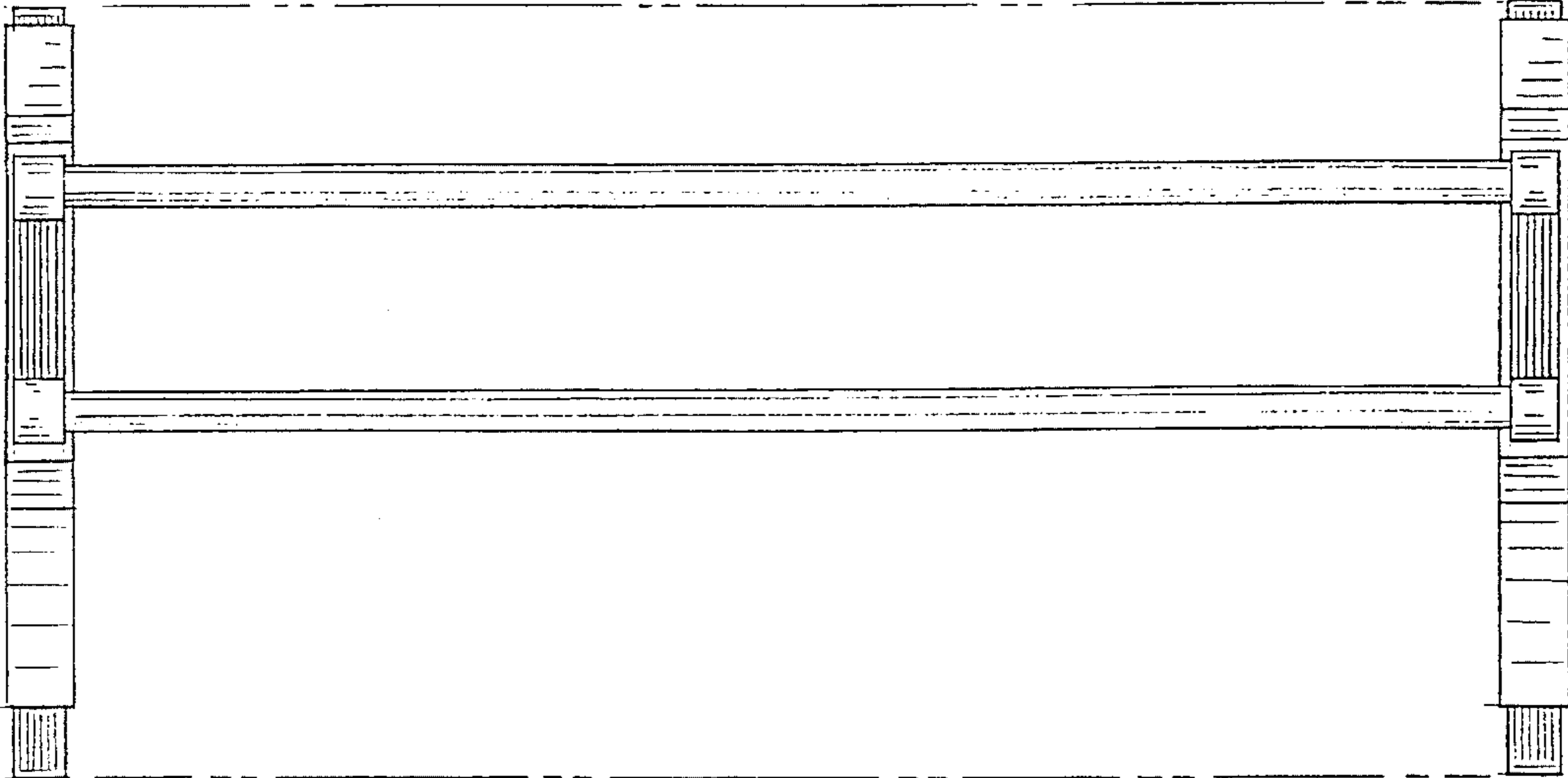


FIG. 6

