



US00D367192S

United States Patent [19]
Frattini

[11] **Patent Number: Des. 367,192**

[45] **Date of Patent: **Feb. 20, 1996**

[54] **TABLE**

[75] Inventor: **Emanuela Frattini**, New York, N.Y.

[73] Assignee: **Westinghouse Electric Corporation**,
Pittsburgh, Pa.

[**] Term: **14 Years**

[21] Appl. No.: **24,120**

[22] Filed: **Jun. 8, 1994**

[52] U.S. Cl. **D6/487; D6/482; D6/483**

[58] **Field of Search** **D6/480-489, 495,**
D6/497, 499, 422, 511; 108/153, 155, 156,
157, 161

[56] **References Cited**

U.S. PATENT DOCUMENTS

D. 342,403 12/1993 Magnusson D6/499
2,698,775 1/1955 Courtwright 108/156 X
2,703,742 3/1955 Becker D6/480 X

OTHER PUBLICATIONS

“Contact Design”, pp. 13 and 14, Issue 5, vol. 36, published
by Miller Freeman, Inc., May 1994.

ATD American Wholesale Furniture, ©1992, p. C-13, trap-

ezoidal table at top right.

Thomasville Status, front cover, table.

Abitare Supplement, Jun. 1962, p. 33, table at left.

Modern Office 1993-1994, trapezoid table #C at top.

Primary Examiner—Janice E. Seeger

Attorney, Agent, or Firm—Carla J. Vrsansky

[57] **CLAIM**

The ornamental design for a table, as shown and described.

DESCRIPTION

FIG. 1 is a perspective view of a table showing my new design;

FIG. 2 is a top plan view thereof;

FIG. 3 is a front elevational view thereof;

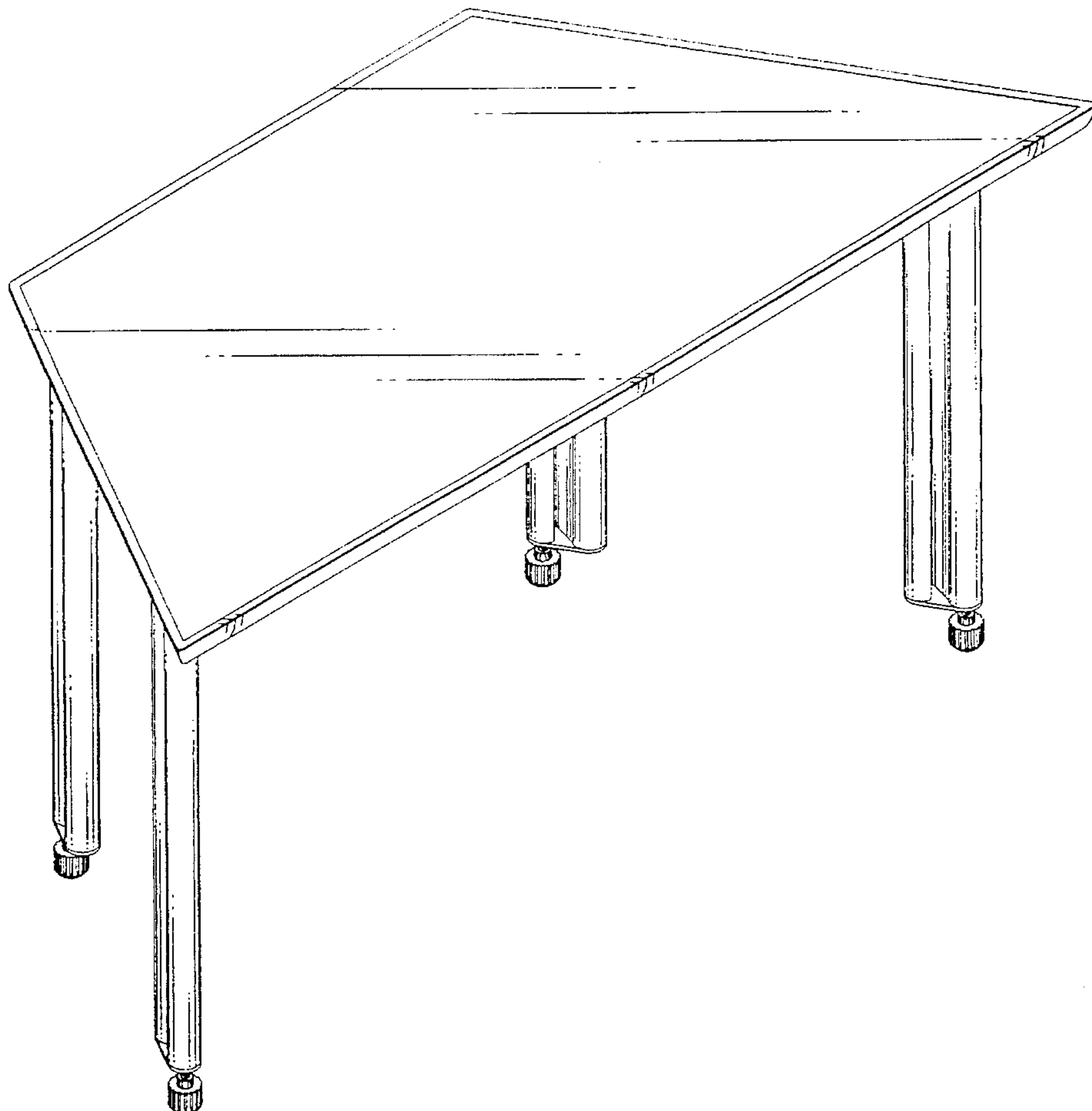
FIG. 4 is a right side elevational view thereof, the left side being a mirror image thereof;

FIG. 5 is a bottom plan view thereof;

FIG. 6 is a rear elevational view thereof; and,

FIG. 7 is a top plan view of a second alternate embodiment of my new design, including a wire management grommet cap.

1 Claim, 7 Drawing Sheets



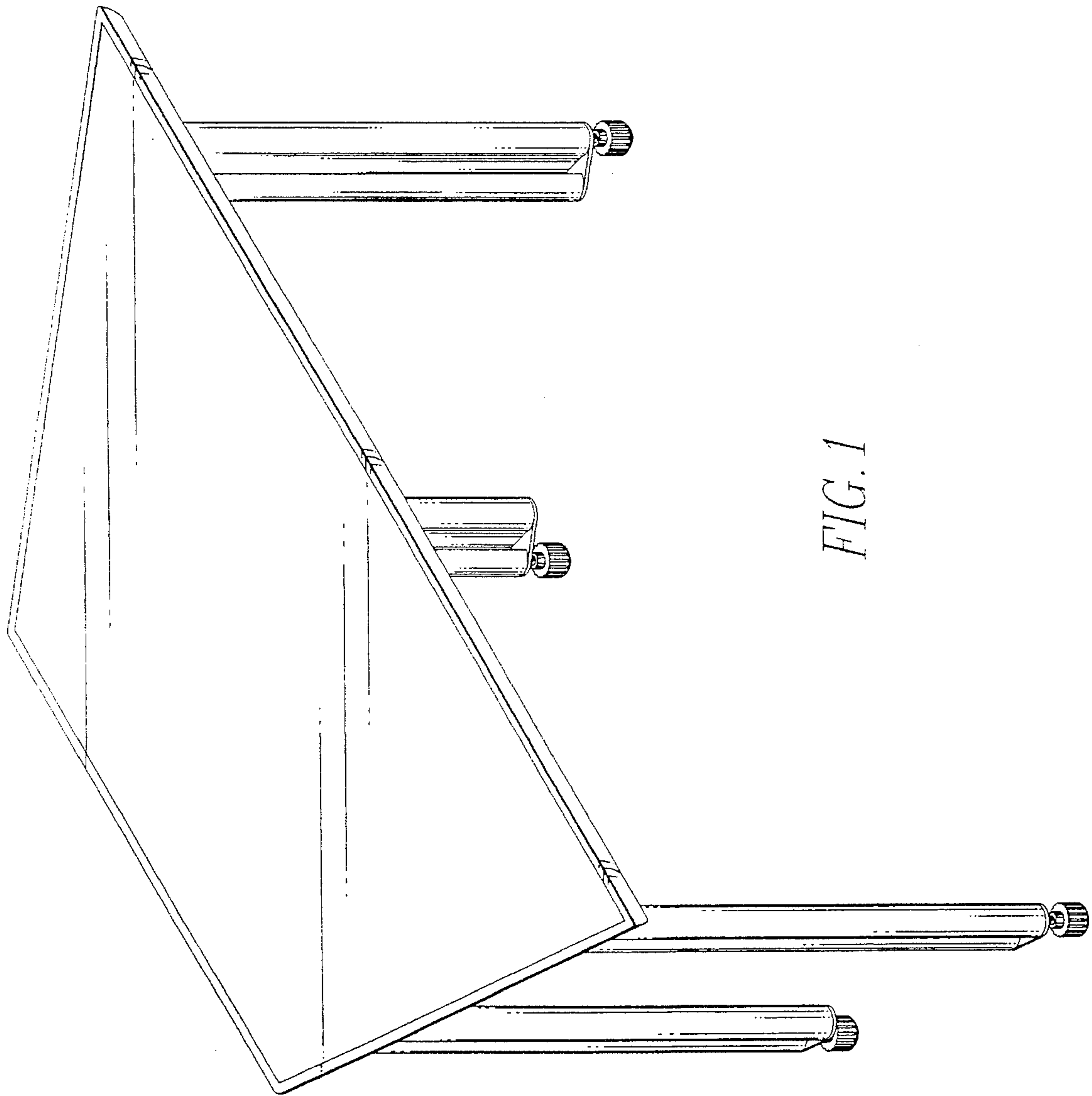


FIG. 1

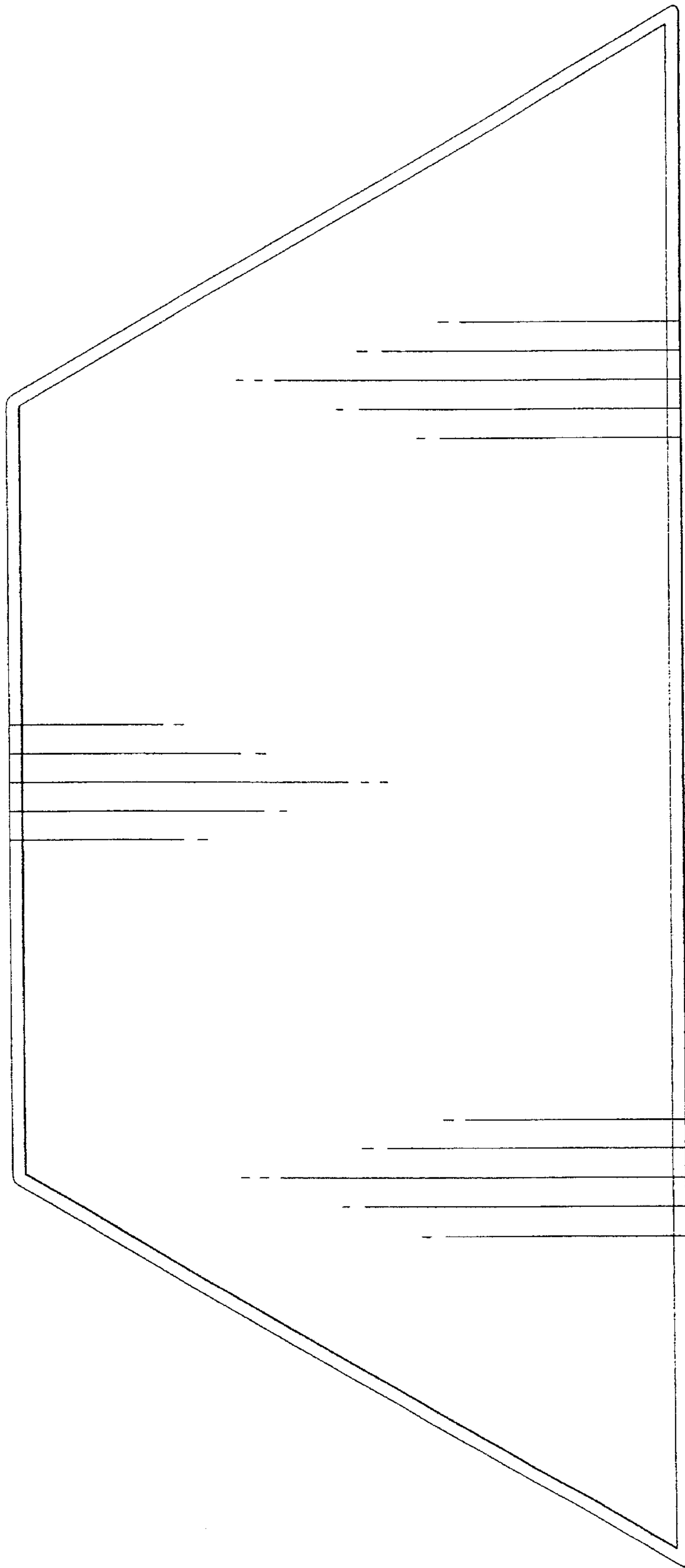


FIG. 2

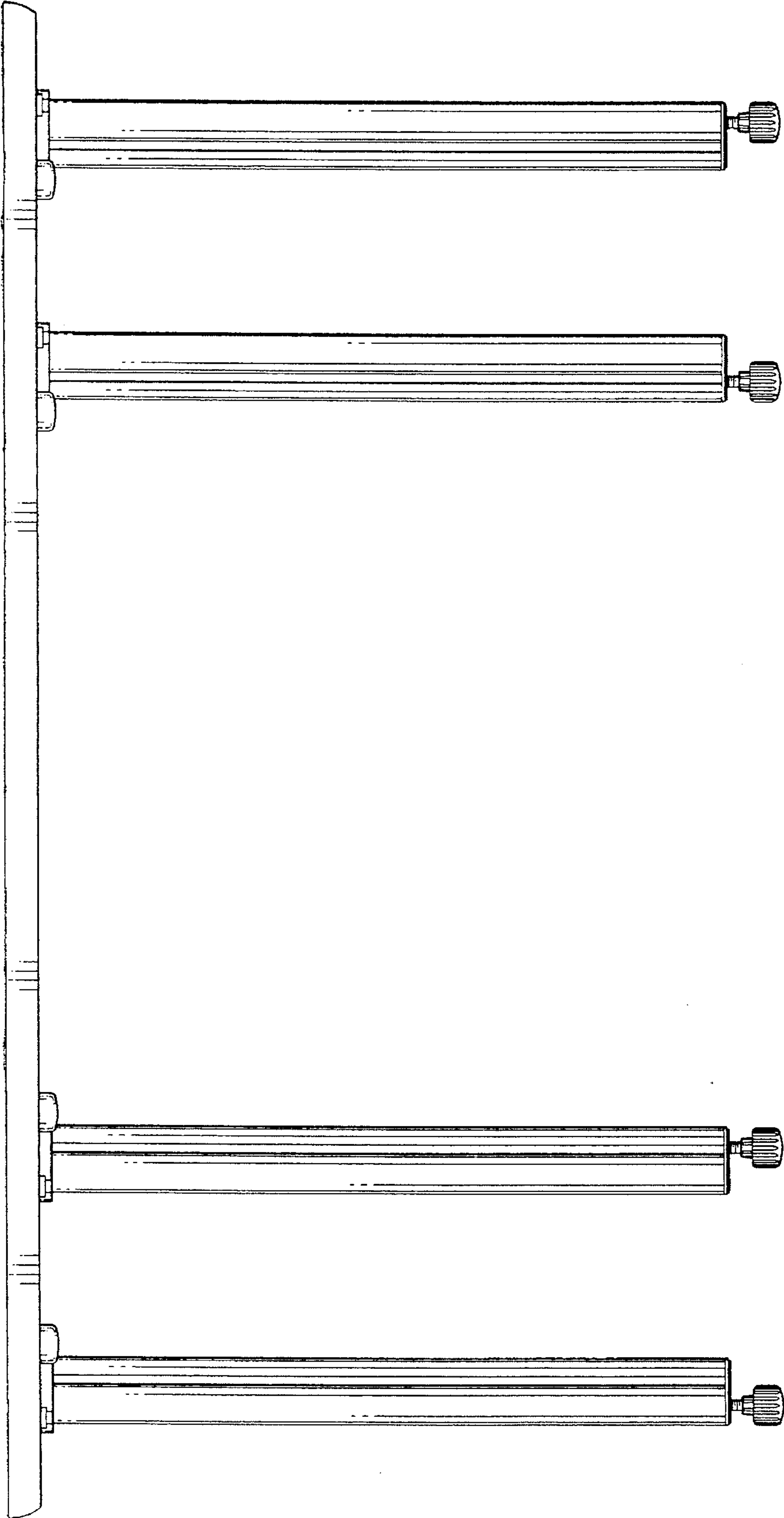


FIG. 3

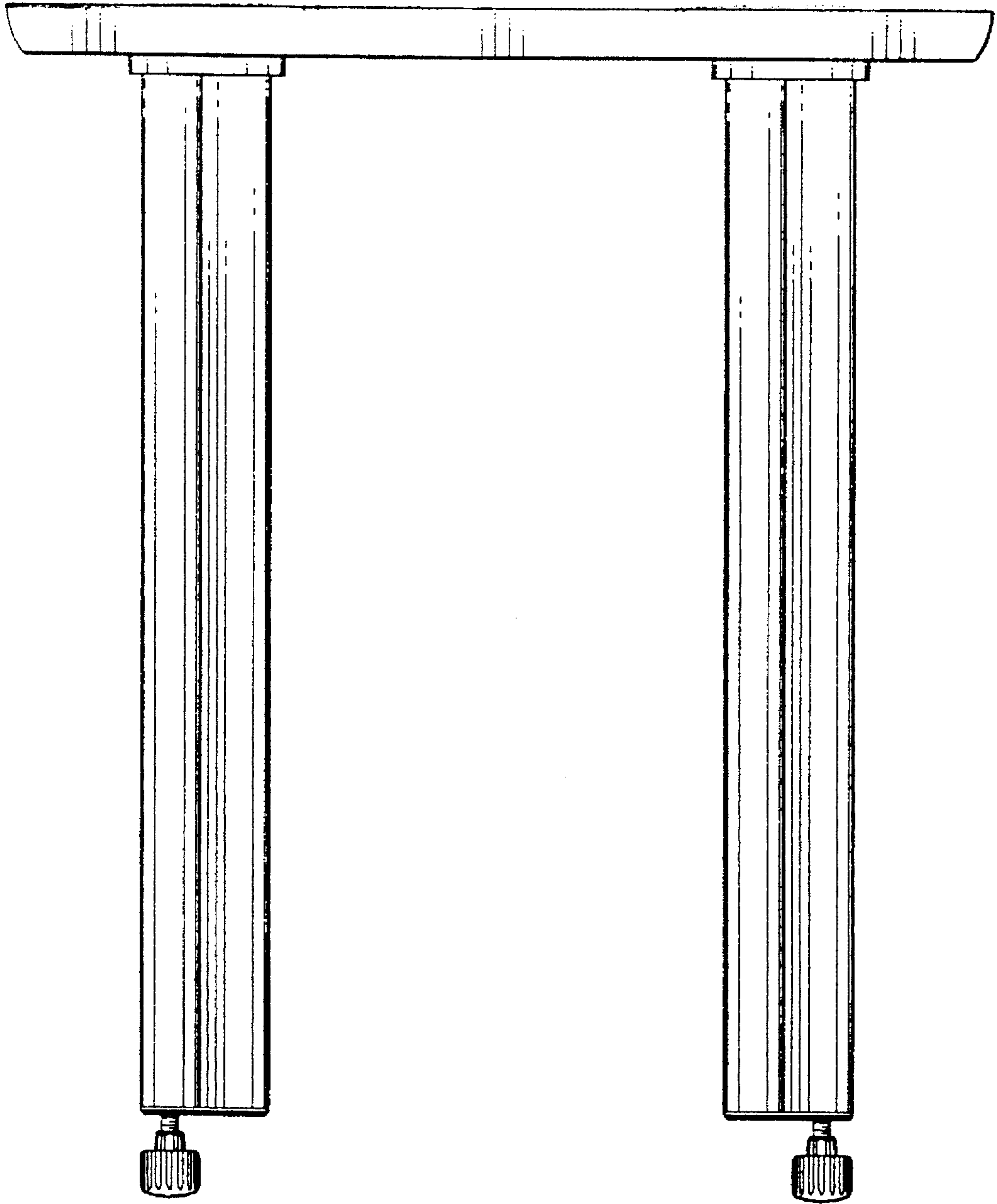


FIG. 4

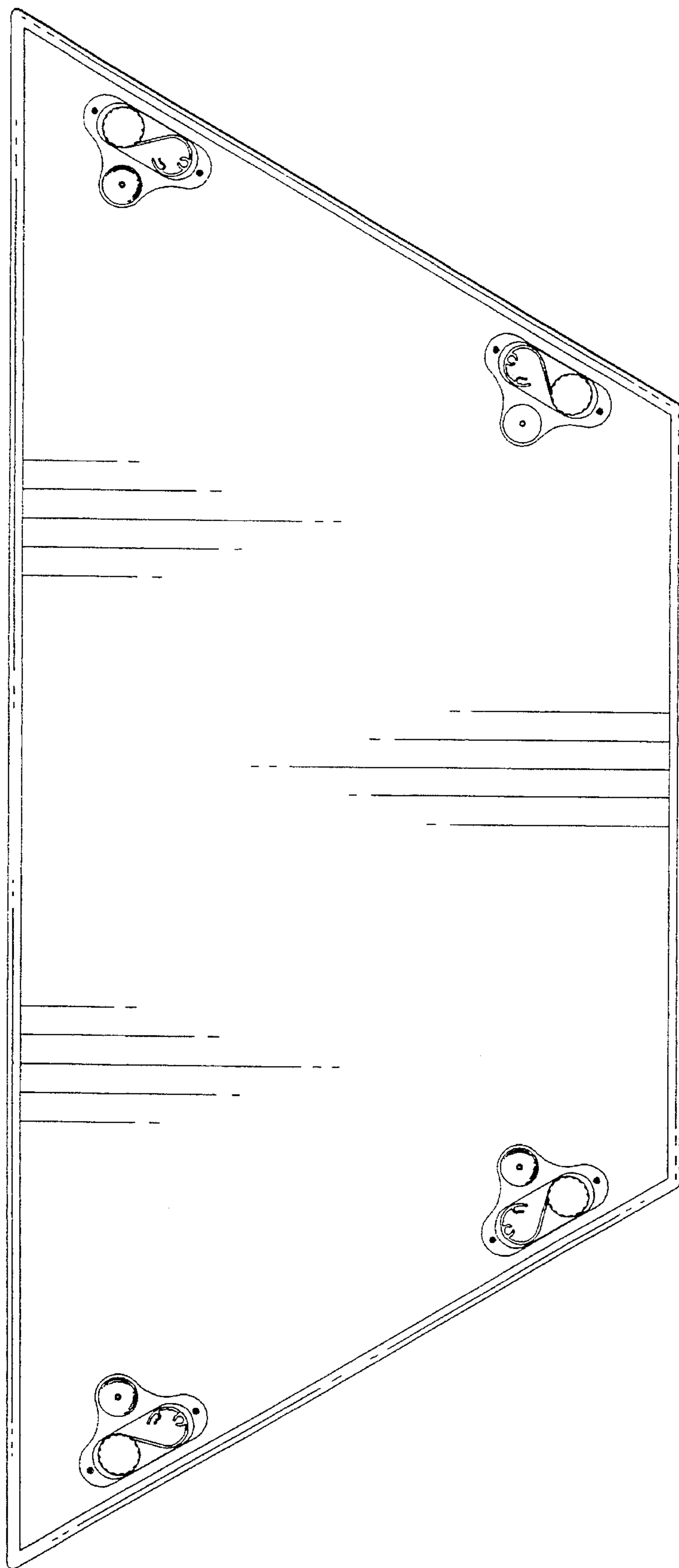


FIG. 5

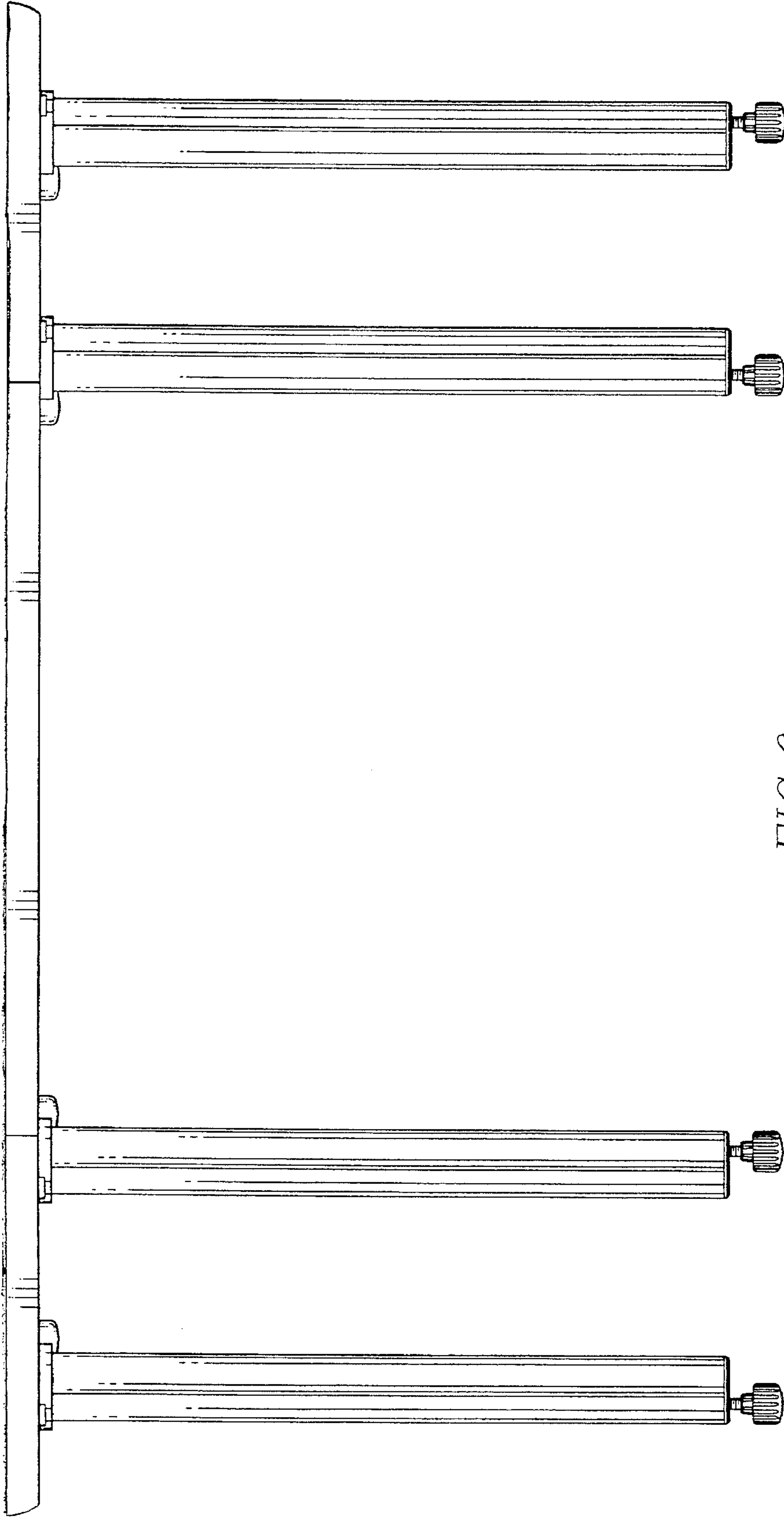


FIG. 6

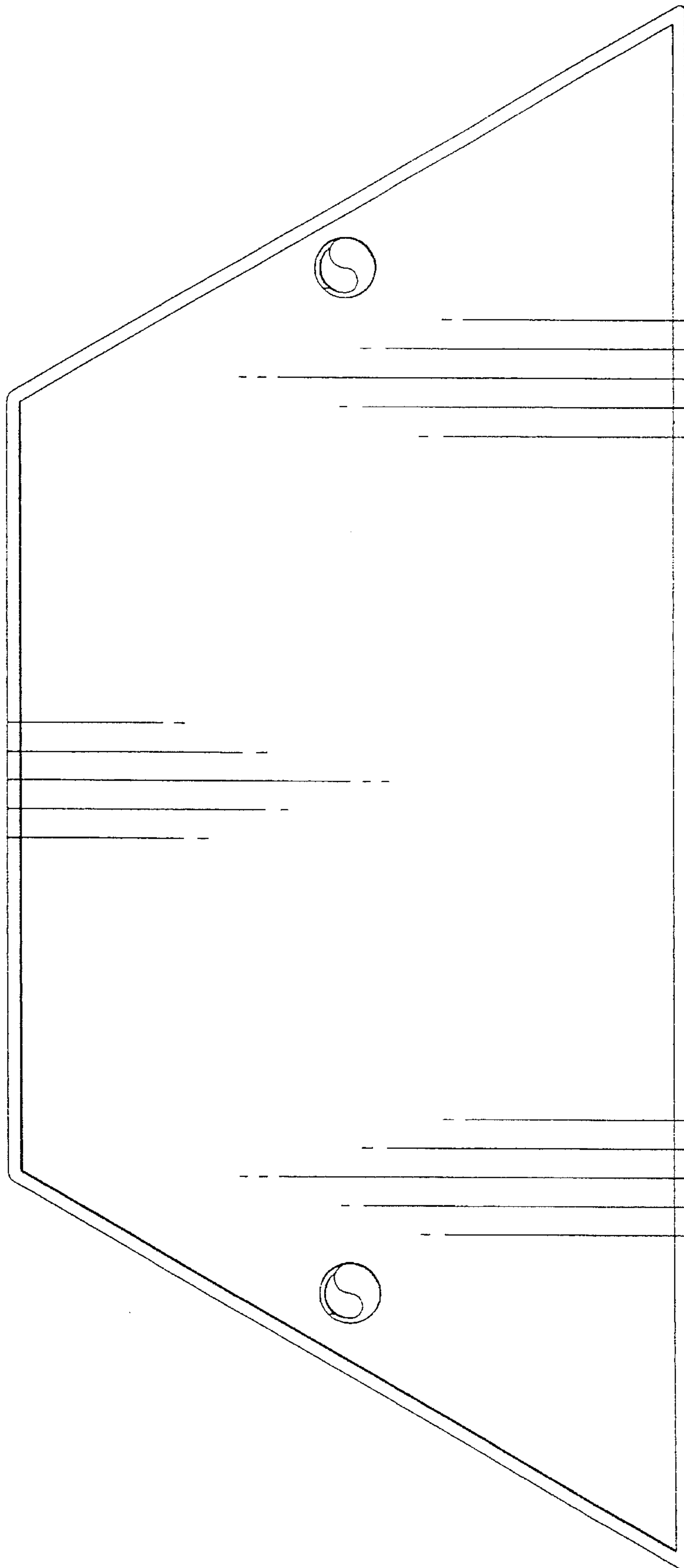


FIG. 7