



US00D367183S

United States Patent [19]

[11] Patent Number: **Des. 367,183**

Natuzzi et al.

[45] Date of Patent: ****Feb. 20, 1996**

[54] SECTIONAL SOFA

[75] Inventors: **Pasquale Natuzzi**, Santeramo In Colle;
Arcangelo Scarati, Talsano, both of Italy

[73] Assignee: **Industrie Natuzzi, SPA**, Bari, Italy

[**] Term: **14 Years**

[21] Appl. No.: **36,108**

[22] Filed: **Mar. 13, 1995**

[52] U.S. Cl. **D6/335**; D6/377; D6/381

[58] Field of Search D6/334, 335, 336,
D6/364, 371, 373, 377, 381, 500, 501,
502; 297/232

[56] References Cited

U.S. PATENT DOCUMENTS

D. 252,601	8/1979	Bick	D6/377
D. 343,742	2/1994	Gera	D6/381
D. 359,394	6/1995	Durling	D6/336

OTHER PUBLICATIONS

Furniture/Today, Apr. 10, 1989, p. 151, sectional sofa at bottom right.

Directions, p. 21, sectional sofa at bottom.

Natuzzi Model IPNO, Apr. 1986 at International Home Furnishing Market in High Point, North Carolina.

Natuzzi Model 452, Oct. 1988 at International Home Furnishings Market in High Point, North Carolina.

Natuzzi Model 796, Oct. 1990 at International Home Furnishings Market in High Point, North Carolina.

Natuzzi Model 855, Oct. 1991 at International Home Furnishings Market in High Point, North Carolina.

Natuzzi Model 874, Oct. 1991 at International Home Furnishings Market in High Point, North Carolina.

Natuzzi Model 876, Oct. 1991 at International Home Furnishings Market in High Point, North Carolina.

Natuzzi Model 883, Apr. 1991 at International Home Furnishings Market in High Point, North Carolina.

Natuzzi Model 888, Oct. 1991 at International Home Furnishings Market in High Point, North Carolina.

Natuzzi Model 909, Apr. 1992 at International Home Furnishings Market in High Point, North Carolina.

Natuzzi Model 924, Apr. 1992 at International Home Furnishings Market in High Point, North Carolina.

Natuzzi Model 927, Apr. 1992 at International Home Furnishings Market in High Point, North Carolina.

Natuzzi Model 954, Oct. 1992 at International Home Furnishings Market in High Point, North Carolina.

Natuzzi Model 1012, Apr. 1993 at International Home Furnishings Market in High Point, North Carolina.

Natuzzi Model 1018, Apr. 1993 at International Home Furnishings Market in High Point, North Carolina.

Natuzzi Model 1066, Oct. 1993 at International Home Furnishings Market in High Point, North Carolina.

Natuzzi Model 1075, Oct. 1993 at International Home Furnishings Market in High Point, North Carolina.

Natuzzi Model 1105, Oct. 1993 at International Home Furnishings Market in High Point, North Carolina.

Natuzzi Model 1129, Jan. 1994 at International Home Furnishings Market in High Point, North Carolina.

Primary Examiner—Gary D. Watson

Attorney, Agent, or Firm—Bell, Seltzer, Park & Gibson

[57] CLAIM

The ornamental design for a sectional sofa, as shown and described.

DESCRIPTION

FIG. 1 is a perspective view of a sectional sofa showing our new design;

FIG. 2 is a top plan view thereof;

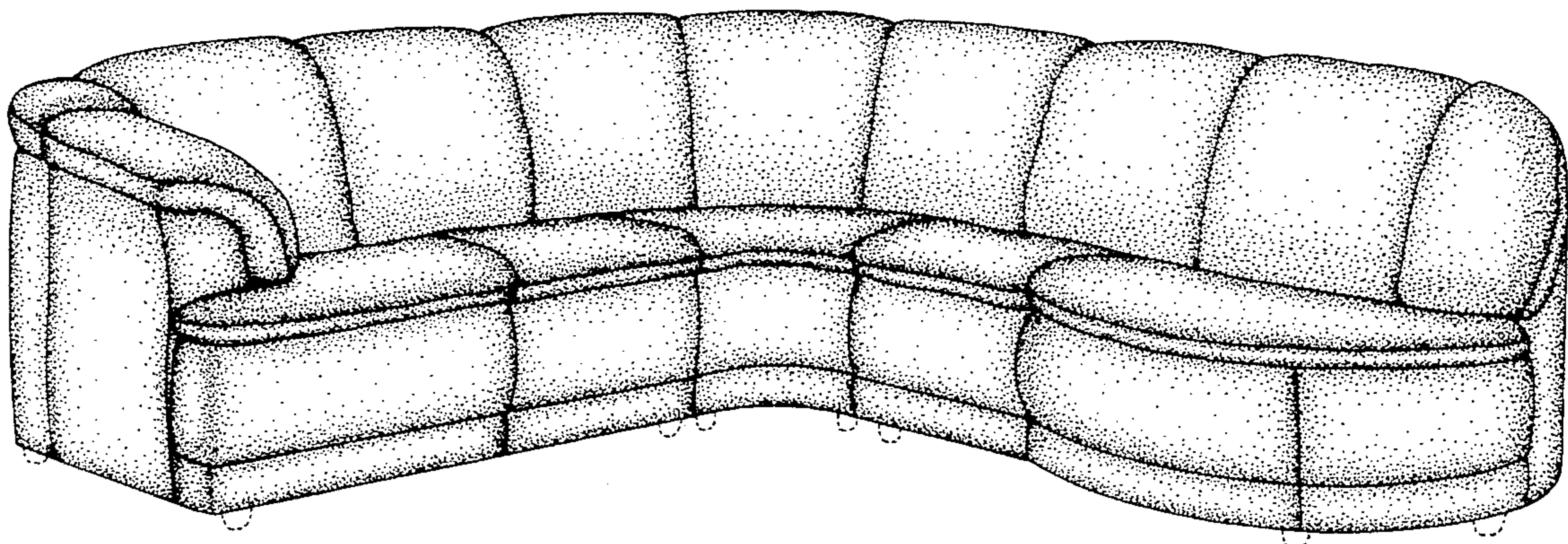
FIG. 3 is a rear perspective view thereof;

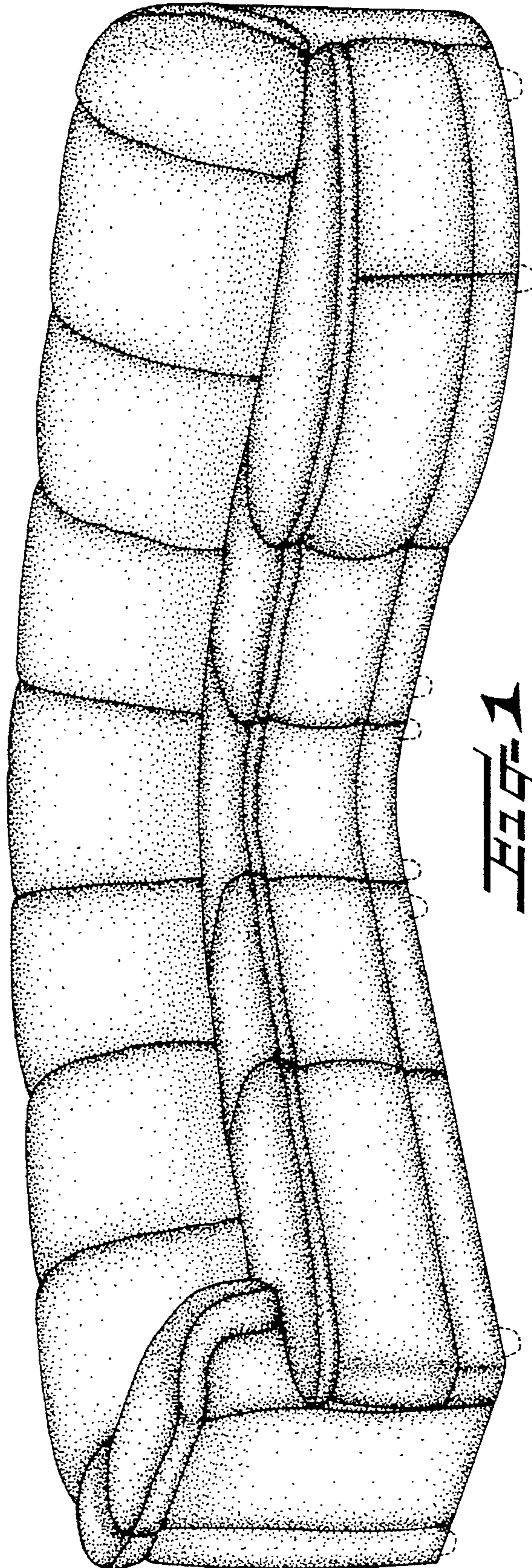
FIG. 4 is a rear perspective view from the side opposite of that shown in FIG. 3; and,

FIG. 5 is an exploded perspective view thereof.

The broken lines shown herein are for illustrative purposes only and form no part of the claimed design.

1 Claim, 4 Drawing Sheets





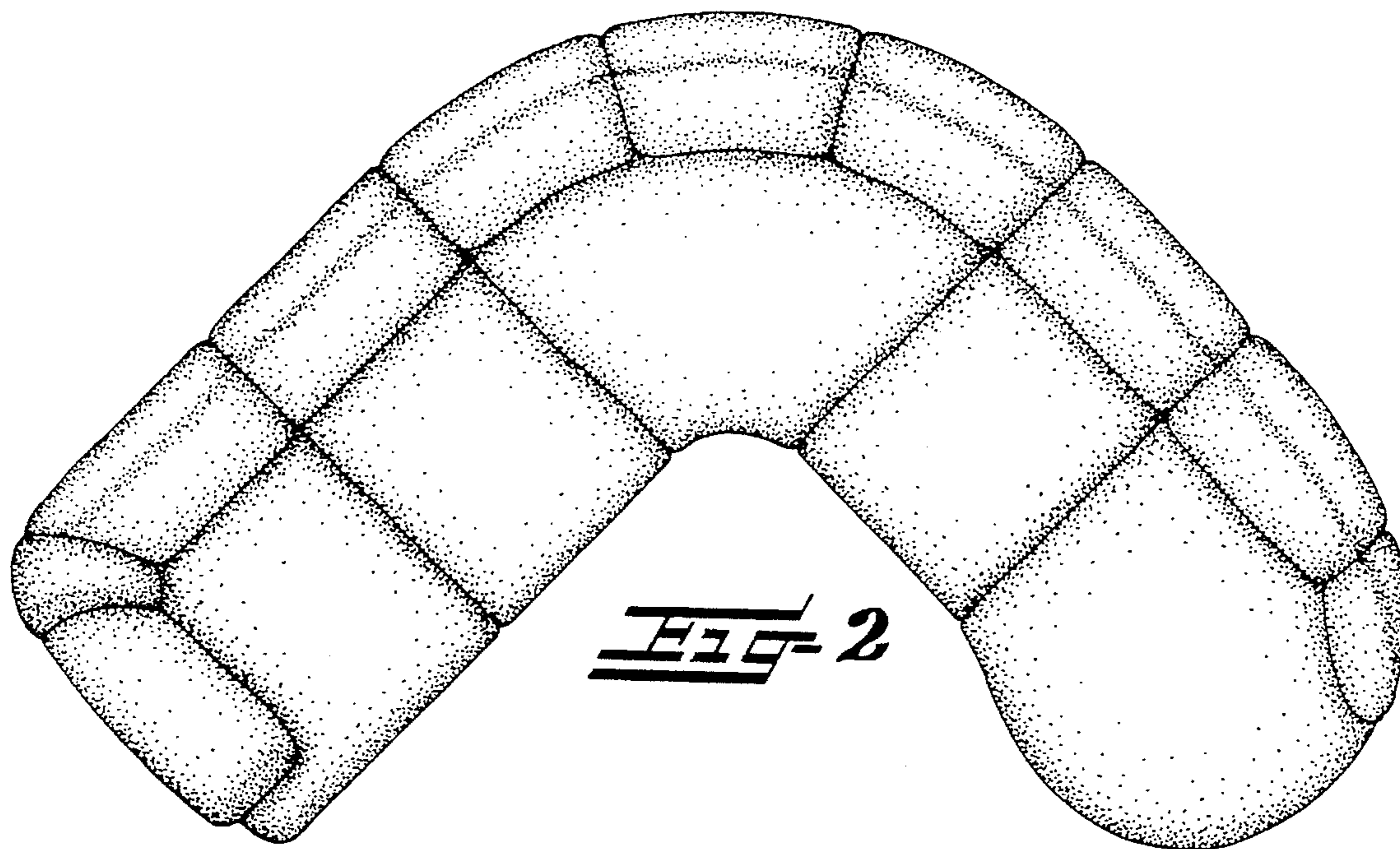


FIG-2

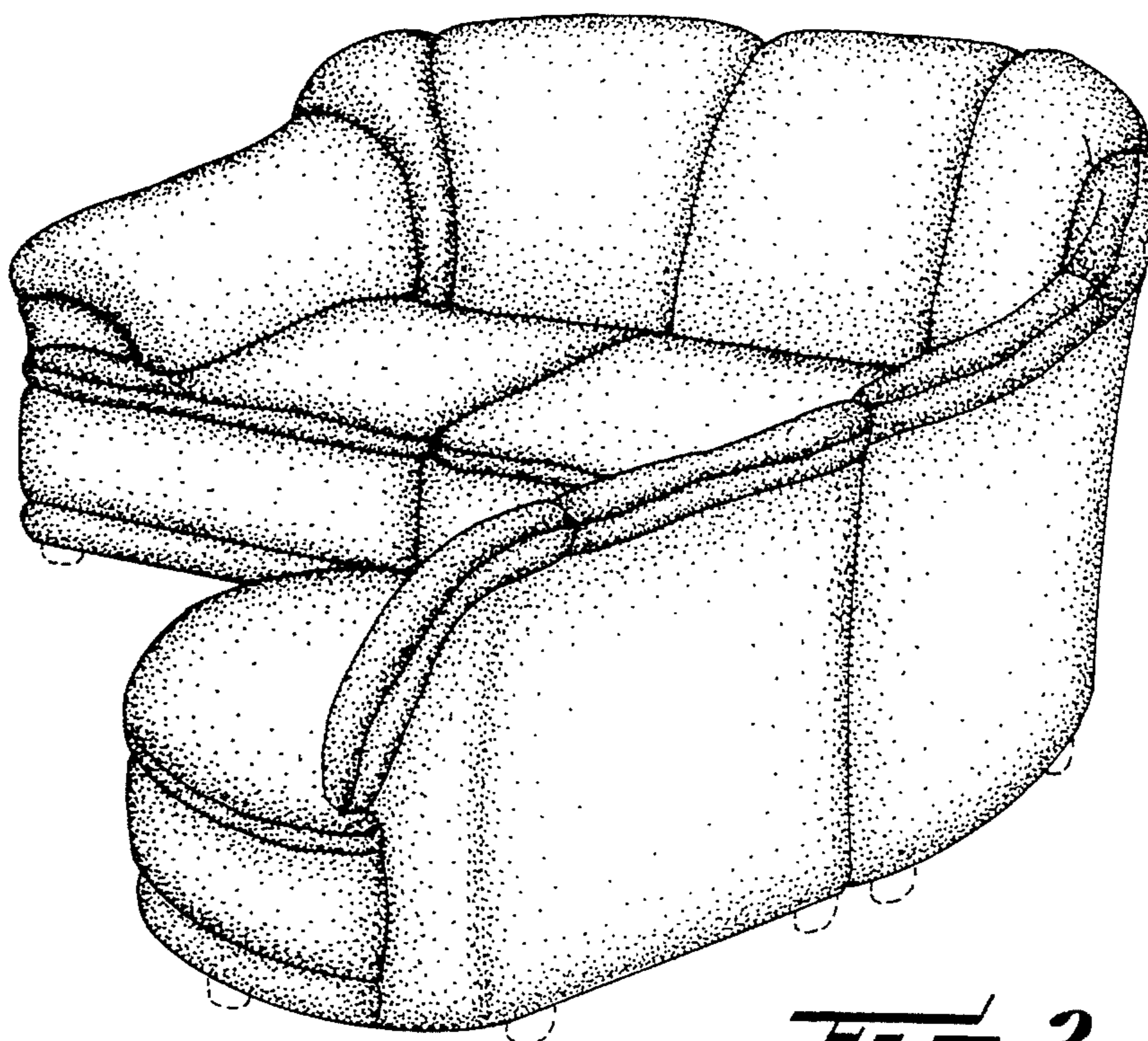


FIG-3

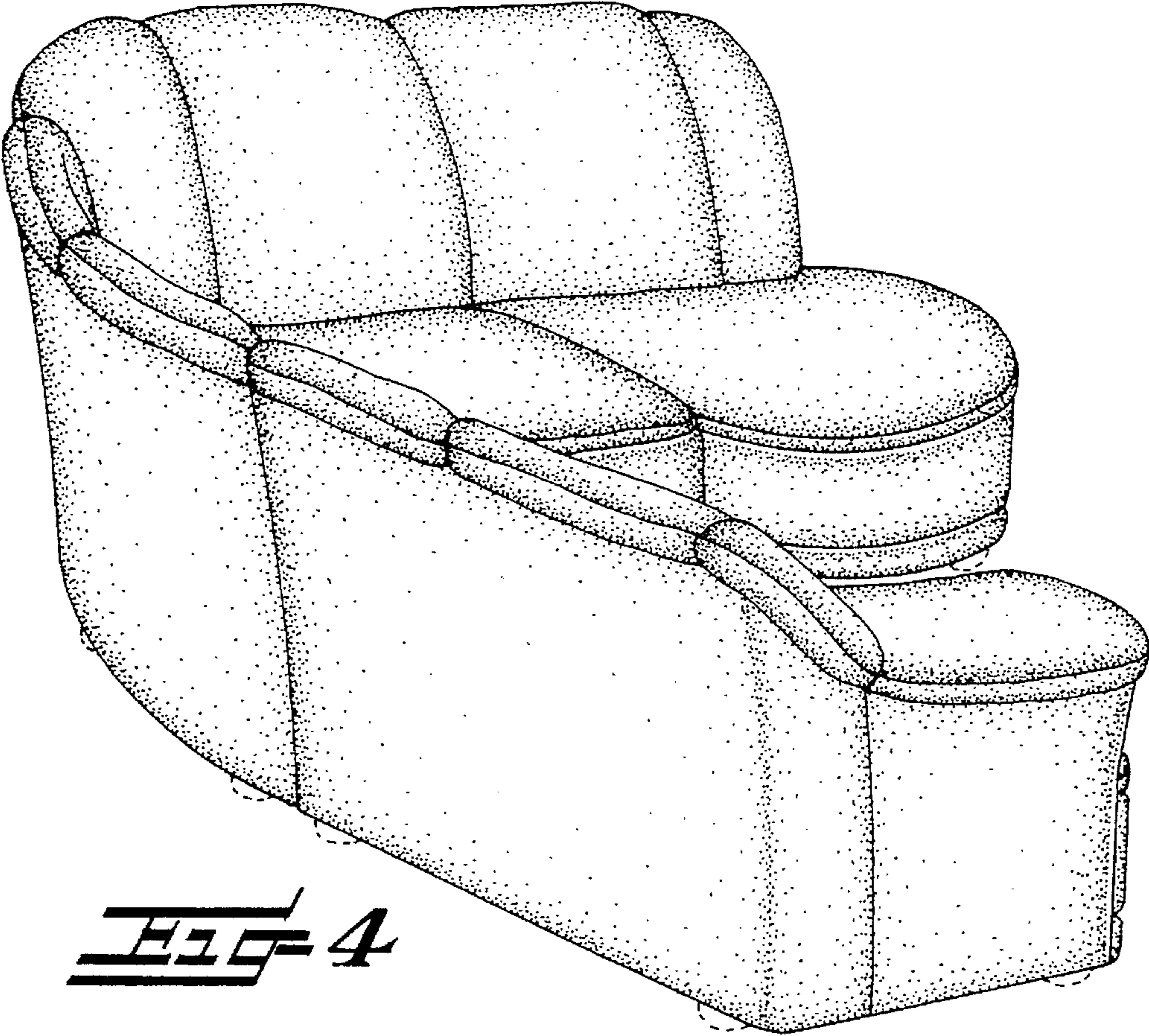


FIG. 4

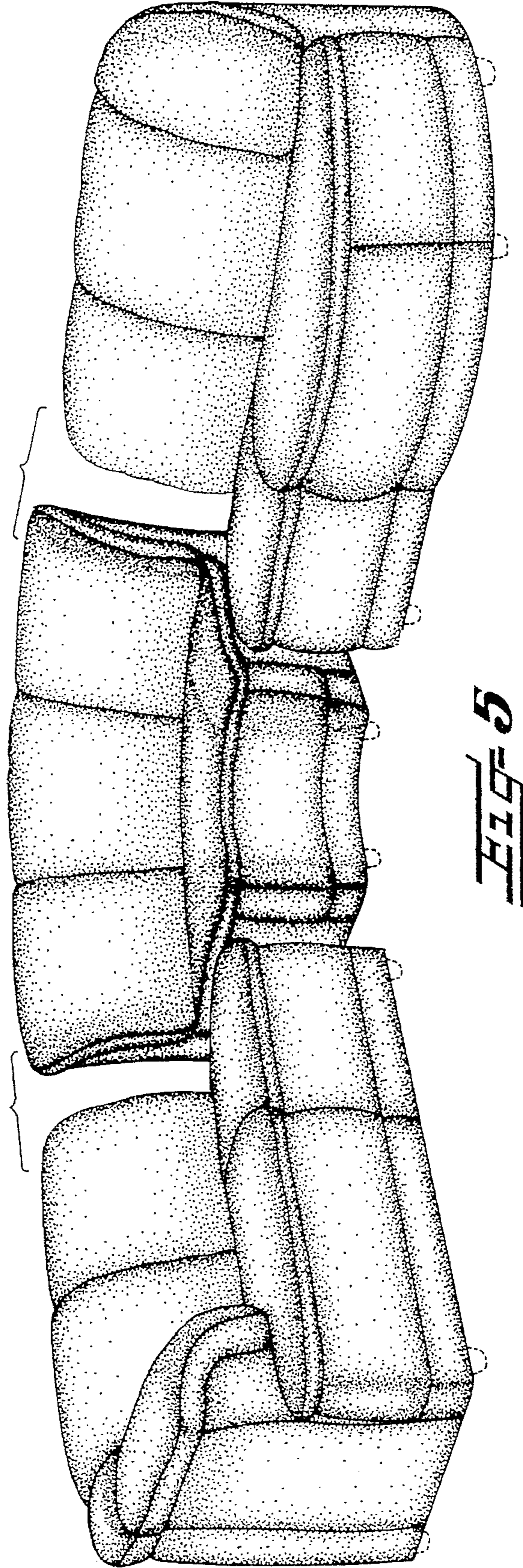


FIG. 5