



US00D367181S

United States Patent [19] Peters

[11] Patent Number: **Des. 367,181**
[45] Date of Patent: ****Feb. 20, 1996**

[54] **CHILD BIKE SEAT**
[75] Inventor: **Wolfram Peters**, Leiden, Netherlands
[73] Assignee: **Hamax As**, Norway
[**] Term: **14 Years**
[21] Appl. No.: **27,173**
[22] Filed: **Aug. 15, 1994**

4,051,985 10/1977 Berger 224/32

FOREIGN PATENT DOCUMENTS

1213510 11/1986 Canada .
0232800 8/1987 European Pat. Off. .
0347005 12/1989 European Pat. Off. .
0390332 10/1990 European Pat. Off. .
3206935 10/1982 Germany .
457219 11/1936 United Kingdom .
2097345 11/1982 United Kingdom .

OTHER PUBLICATIONS

Sears-Fall/Winter 1975, p. 1240, Seat at to left.

Primary Examiner—Janice E. Seegar
Attorney, Agent, or Firm—Andrus, Scales, Starke & Sawall

Related U.S. Application Data

[62] Division of Ser. No. 19,262, Feb. 28, 1994, Pat. No. Des. 356,447, which is a division of Ser. No. 184, Oct. 6, 1992, Pat. No. Des. 353,963.
[52] **U.S. Cl.** **D6/333**
[58] **Field of Search** D6/331, 333, 339, D6/334; 5/655; 297/250.1, 216.11, 255, 256, 256.12, 256.16, 195.13, 243

[57] CLAIM

The ornamental design for a child bike seat, as shown and described.

DESCRIPTION

FIG. 1 is a perspective view of a child bike seat, showing my new design;
FIG. 2 is a side elevational view, the opposite side being a mirror image thereof;
FIG. 3 is a front elevational view thereof;
FIG. 4 is a bottom plan view thereof;
FIG. 5 is a rear elevational view thereof; and,
FIG. 6 is a top plan view thereof.

References Cited

U.S. PATENT DOCUMENTS

D. 225,294	12/1972	Day	D6/375
D. 294,203	2/1988	Schepis et al.	D6/354
D. 332,877	9/1993	Newbold	D6/333
D. 337,665	7/1993	Tsuchiya	D6/339
D. 353,963	1/1995	Peters	D6/502
D. 356,447	3/1995	Peters	D6/333
3,802,598	4/1974	Burger	343/116
3,922,035	11/1975	Wener	D6/333

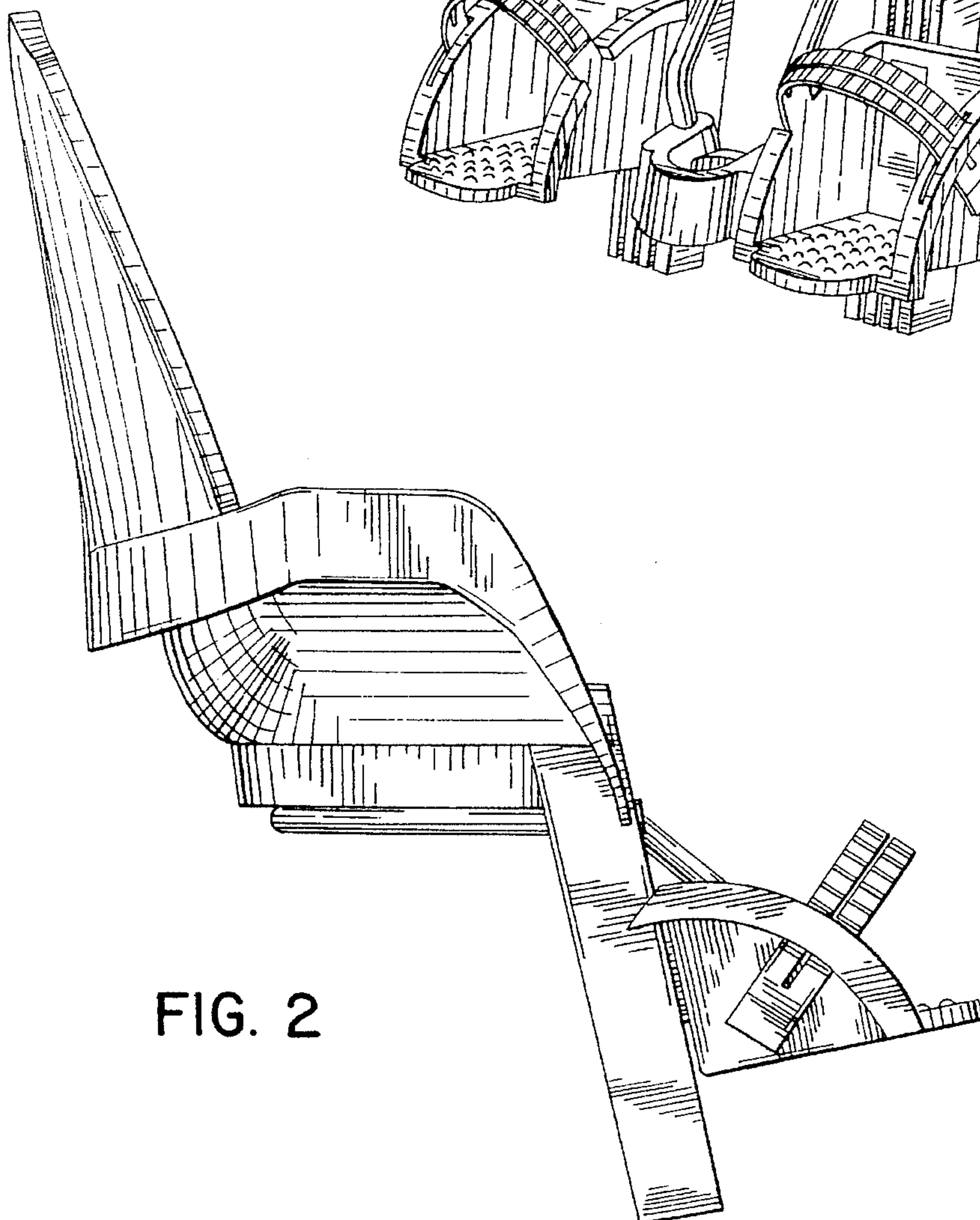
1 Claim, 3 Drawing Sheets



FIG. 1



FIG. 2



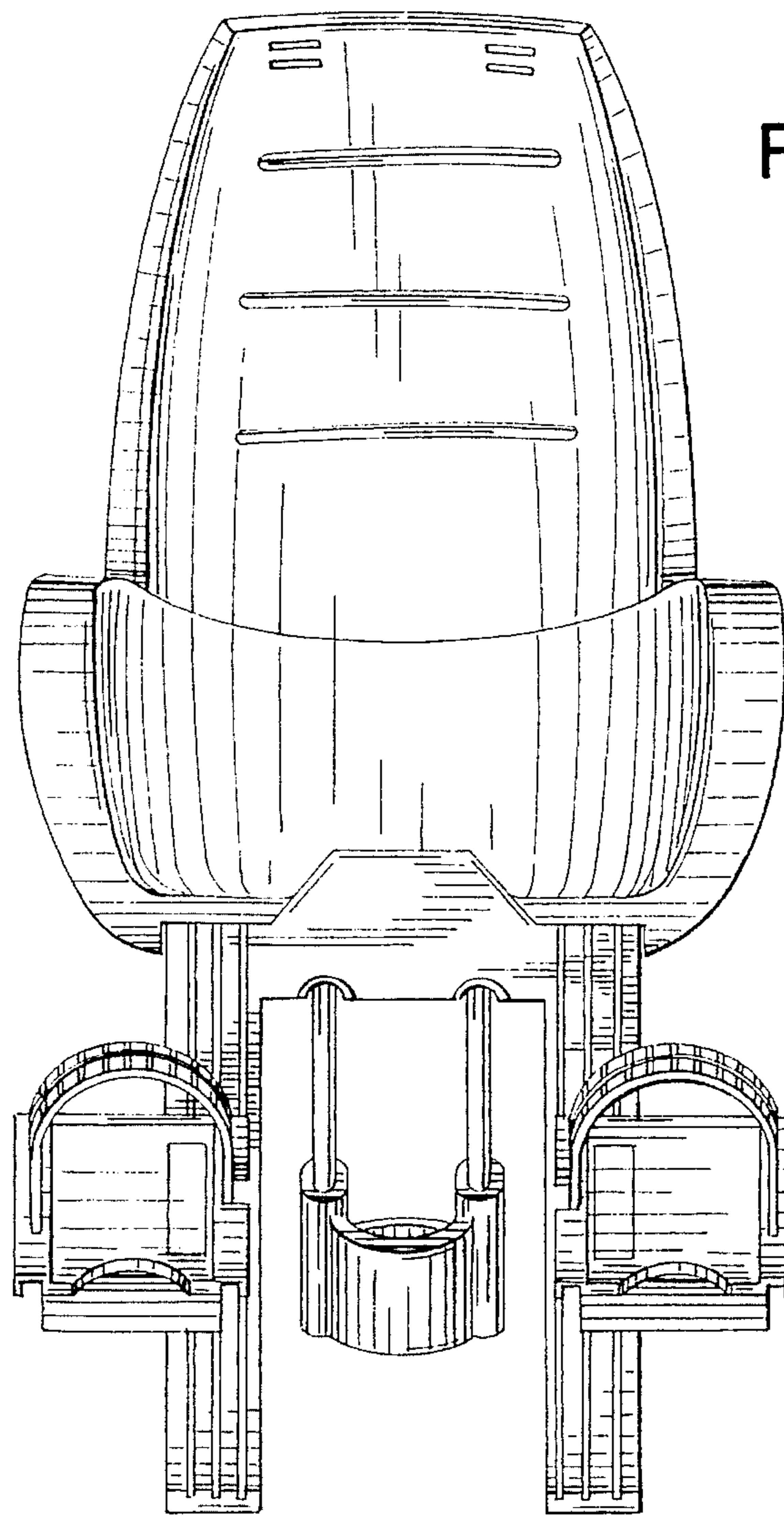


FIG. 3

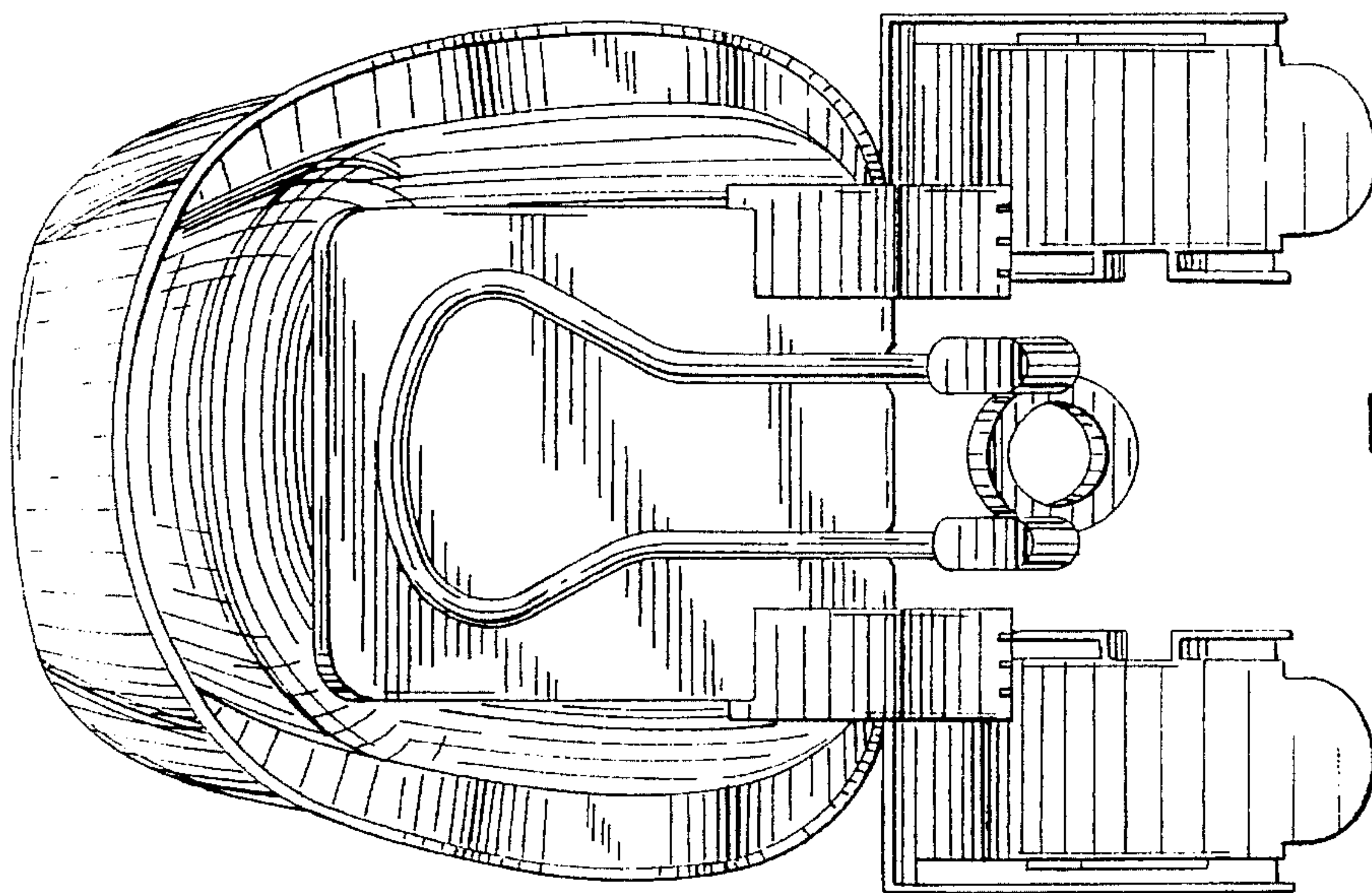


FIG. 4

FIG. 5

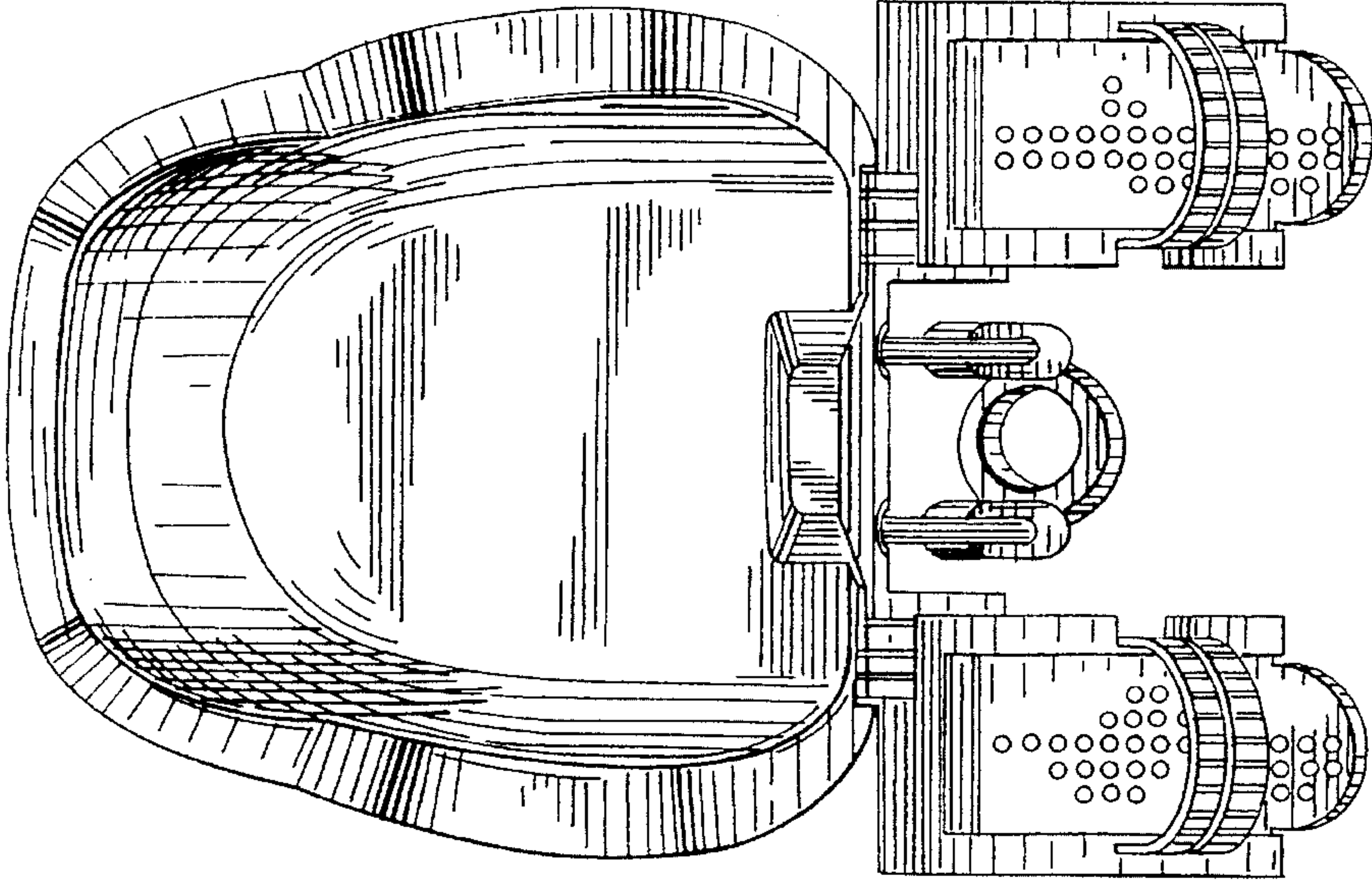
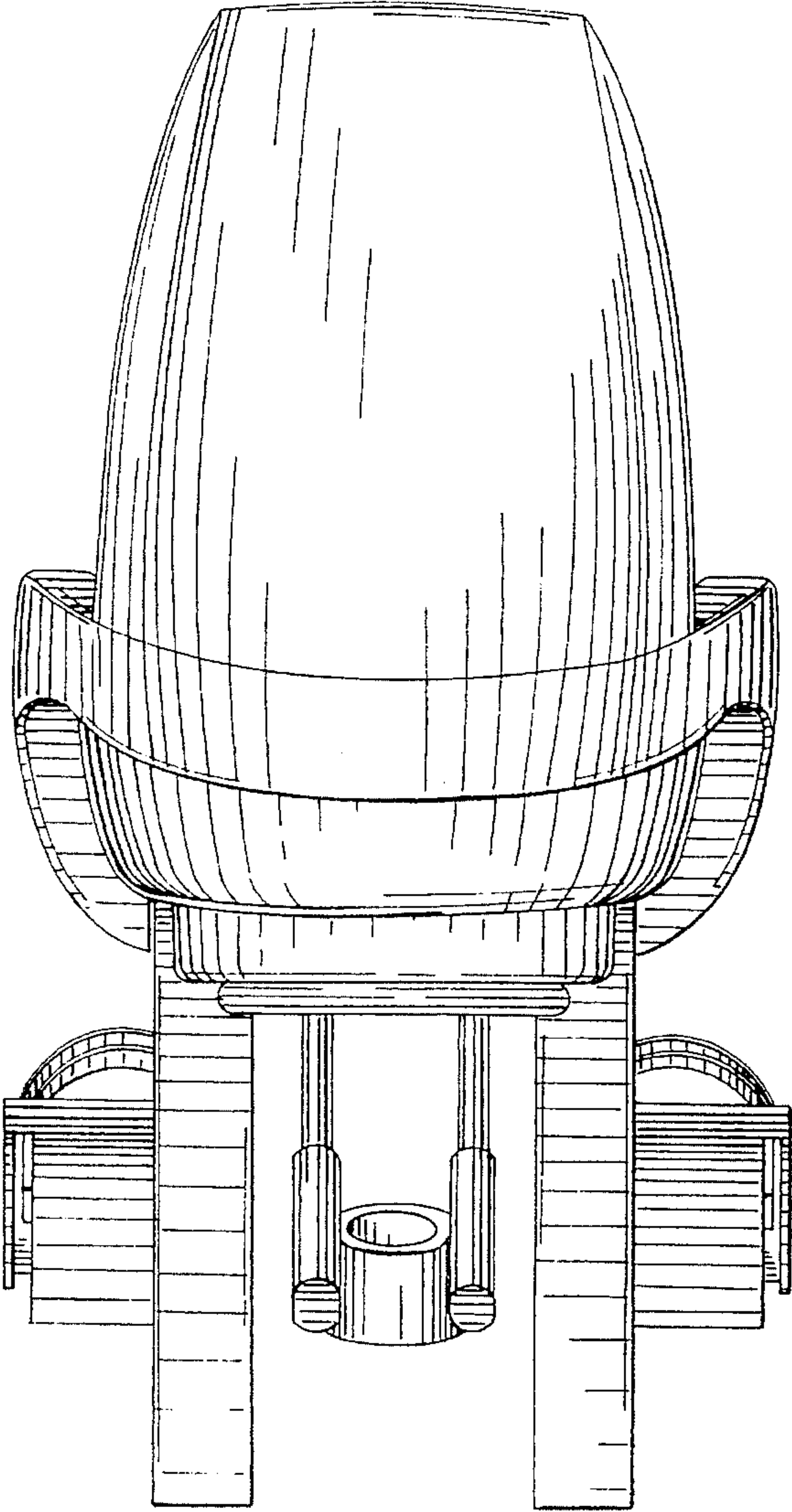


FIG. 6