



US00D367180S

United States Patent [19]

[11] Patent Number: **Des. 367,180**

Natuzzi et al.

[45] Date of Patent: ****Feb. 20, 1996**

[54] SEAT

[75] Inventors: **Pasquale Natuzzi**, Santeramo In Colle;
Arcangelo Scarati, Talsano, both of
Italy

[73] Assignee: **Industrie Natuzzi Spa**, Bari, Italy

[**] Term: **14 Years**

[21] Appl. No.: **29,698**

[22] Filed: **Oct. 13, 1994**

[52] U.S. Cl. **D6/381**; D6/334

[58] Field of Search D6/334, 335, 364,
D6/371, 373, 381, 500, 501, 502; 297/232,
445, 446

[56] References Cited

U.S. PATENT DOCUMENTS

D. 305,184 12/1989 Coley D6/381
D. 353,724 12/1994 Lowman D6/381

OTHER PUBLICATIONS

Trandline Registry, Jul. 1983, Sofa #55028 at top left.
Natuzzi Model 622/623, Oct. 1988 at International Home
Furnishings Market in High Point, North Carolina.
Natuzzi Model 788, Oct. 1990 at International Home Fur-
nishings Market in High Point, North Carolina.
Natuzzi Model 879, Apr. 1991 at International Home Fur-
nishings Market in High Point, North Carolina.
Natuzzi Model 894, Apr. 1992 at International Home Fur-
nishings Market in High Point, North Carolina.
Natuzzi Model 971, Oct. 1992 at International Home Fur-
nishings Market in High Point, North Carolina.
Natuzzi Model 980, Oct. 1992 at International Home Fur-
nishings Market in High Point, North Carolina.
Natuzzi Model 990, Oct. 1992 at International Home Fur-
nishings Market in High Point, North Carolina.
Natuzzi Model 1003, Apr. 1993 at International Home

Furnishings Market in High Point, North Carolina.
Natuzzi Model 1039, Apr. 1993 at International Home
Furnishings Market in High Point, North Carolina.
Natuzzi Model 1081, Sep. 1993 at International Home
Furnishings Market in High Point, North Carolina.

Primary Examiner—Gary D. Watson
Attorney, Agent, or Firm—Bell, Seltzer, Park & Gibson

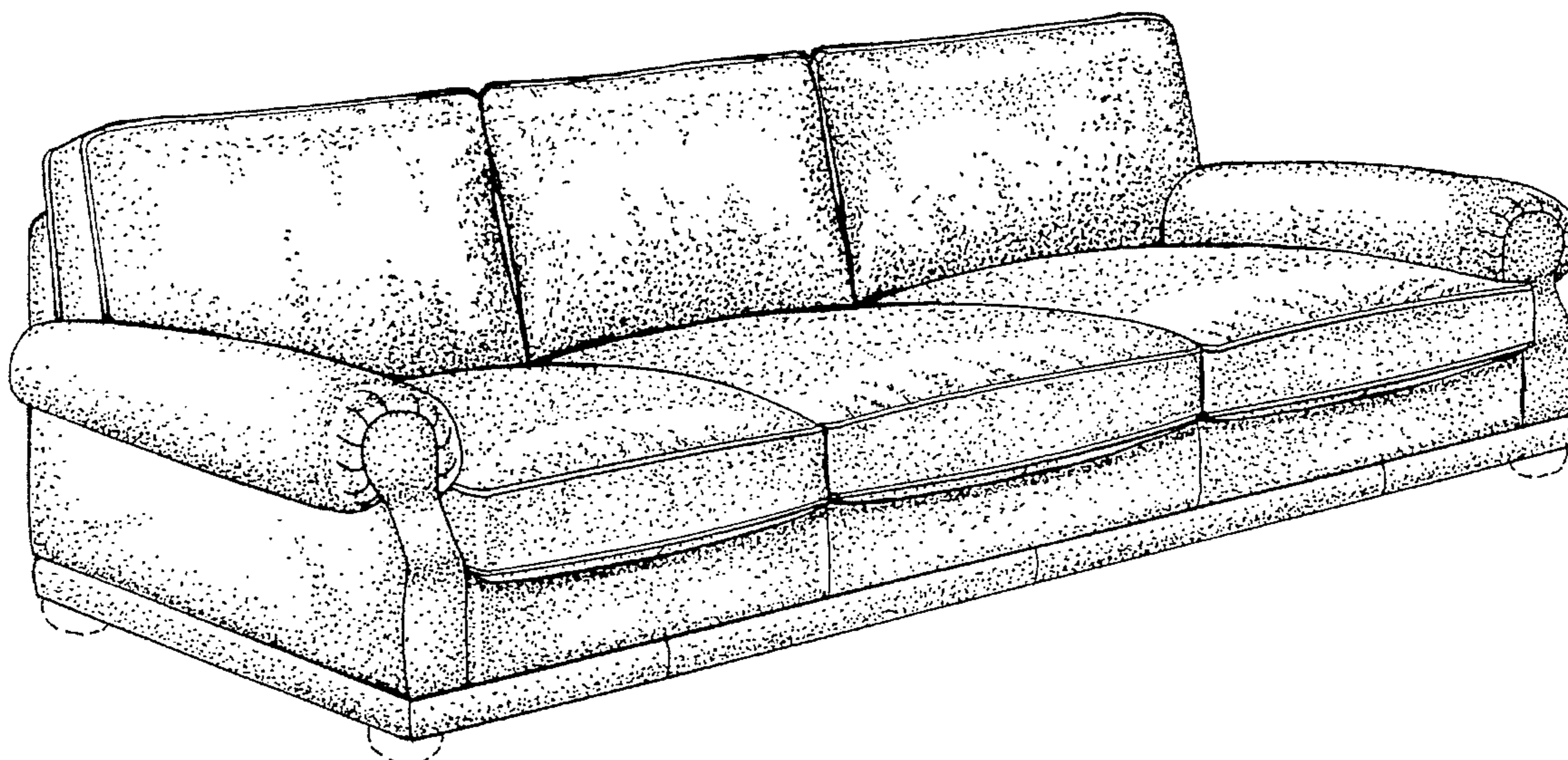
[57] CLAIM

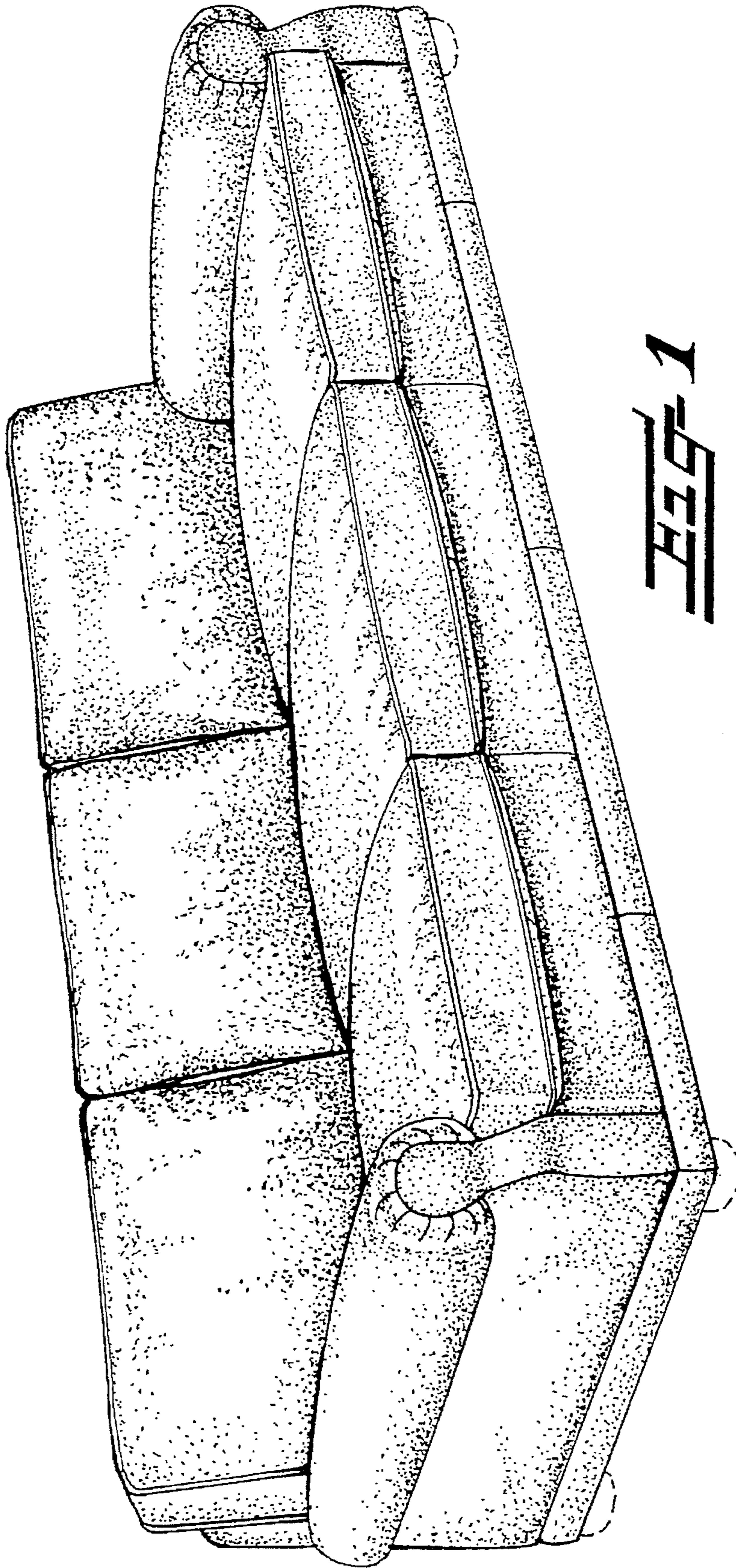
The ornamental design for a seat, as shown and described.

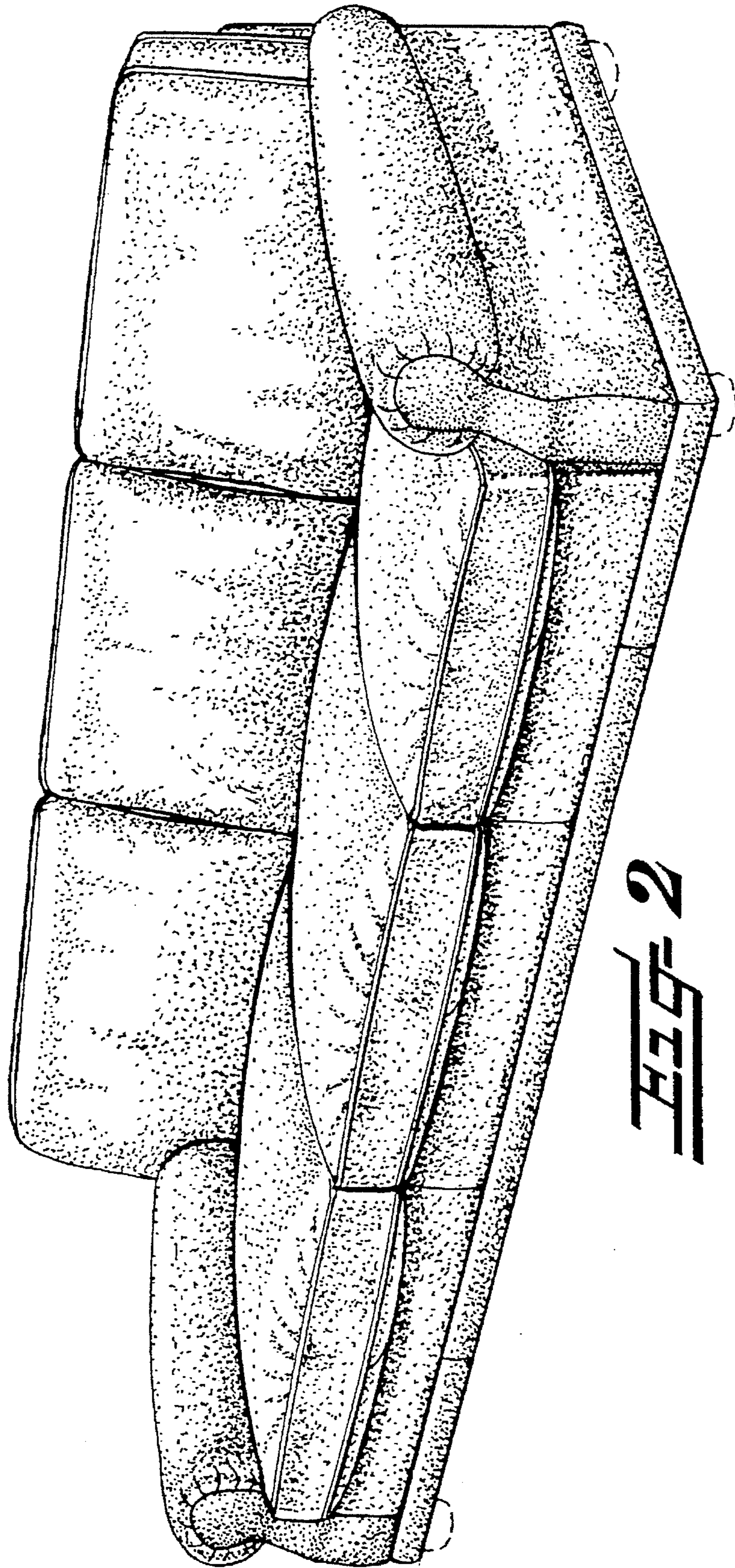
DESCRIPTION

FIG. 1 is a right side perspective view of a seat showing our
new design in the form of a sofa;
FIG. 2 is a left side perspective view;
FIG. 3 is a front elevational view thereof;
FIG. 4 is a top plan view thereof;
FIG. 5 is a right side elevational view, the left side being a
mirror image thereof;
FIG. 6 is a rear perspective view thereof;
FIG. 7 is a right side perspective view of a seat showing our
new design in the form of a love seat;
FIG. 8 is a left side perspective view thereof;
FIG. 9 is a front elevational thereof;
FIG. 10 is a top plan view thereof;
FIG. 11 is a right side elevational view, the left side being a
mirror image thereof;
FIG. 12 is a rear perspective view thereof;
FIG. 13 is a right side perspective view of a seat showing our
new design in the form of a chair;
FIG. 14 is a left side perspective view thereof;
FIG. 15 is a front elevational view thereof;
FIG. 16 is a top plan view thereof;
FIG. 17 is a right side perspective view, the left side being
a mirror image thereof; and,
FIG. 18 is a rear perspective view thereof.
The broken lines shown herein are for illustrative purposes
only and form no part of the claimed design.

1 Claim, 8 Drawing Sheets







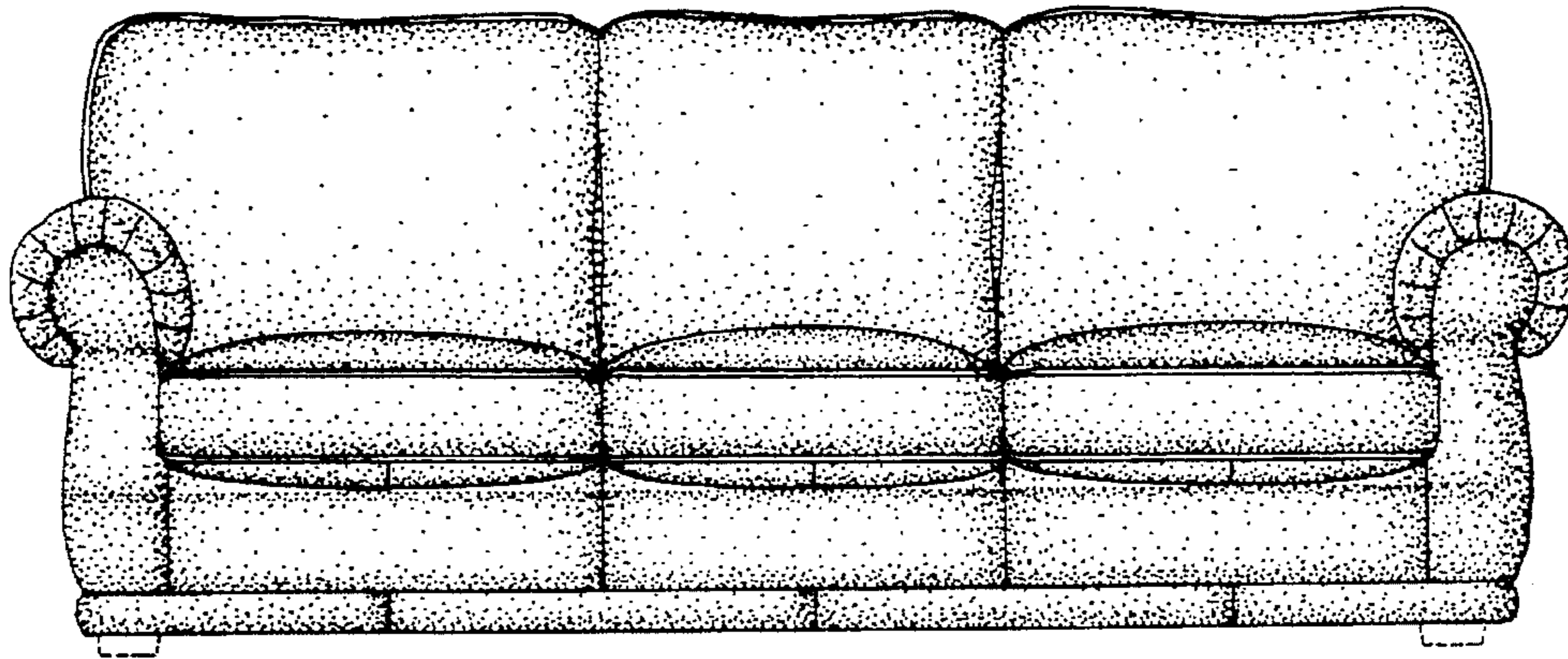


FIG- 3

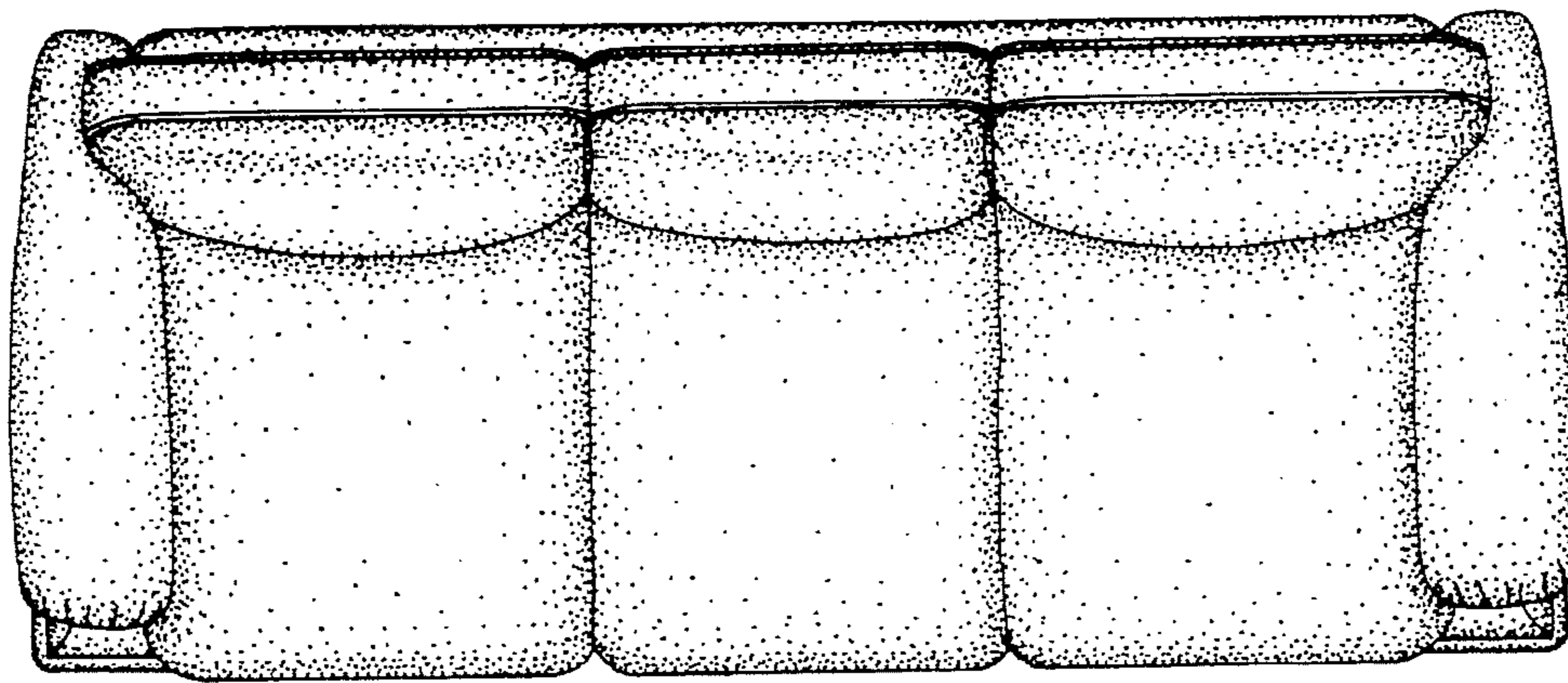


FIG- 4

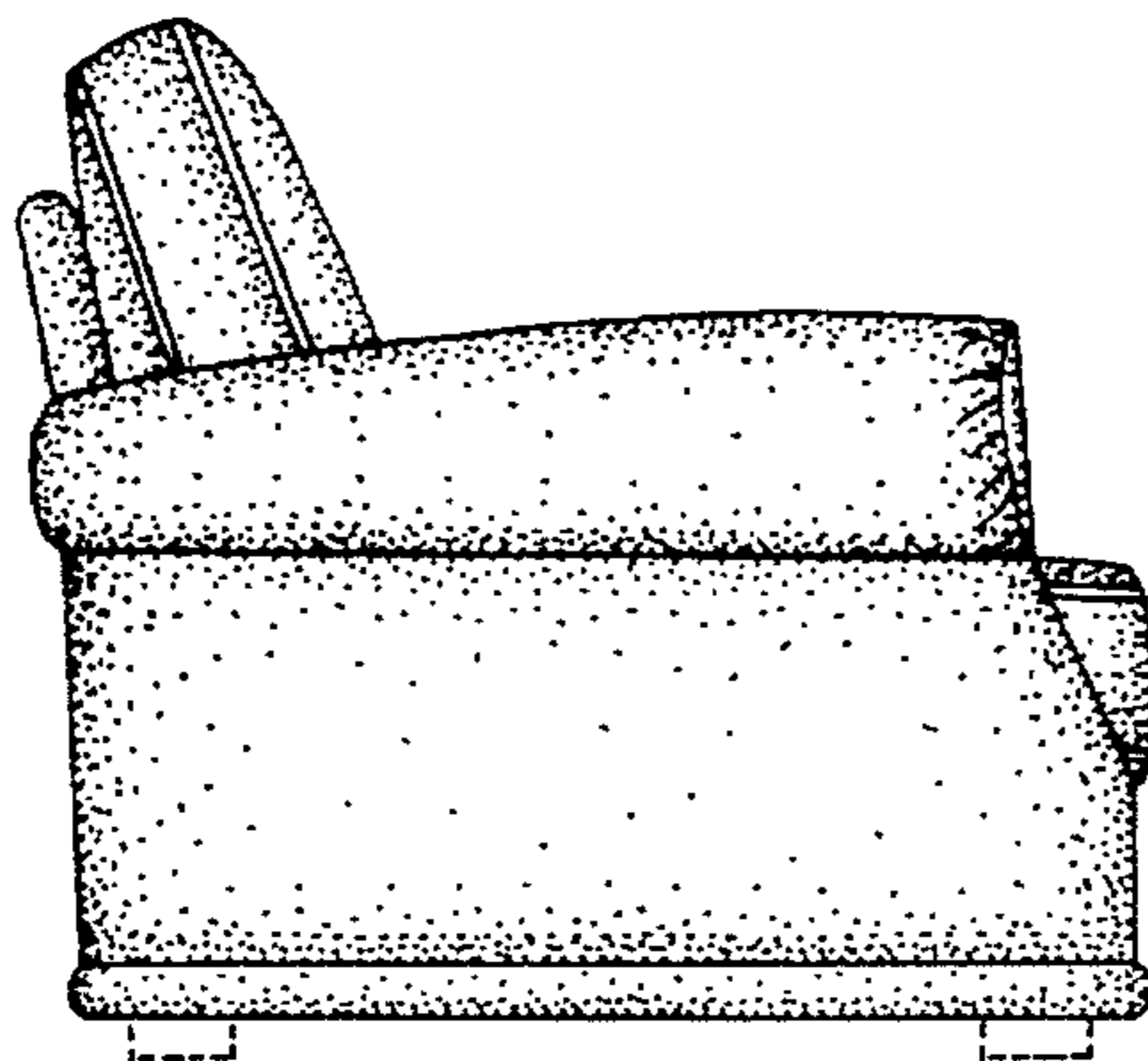
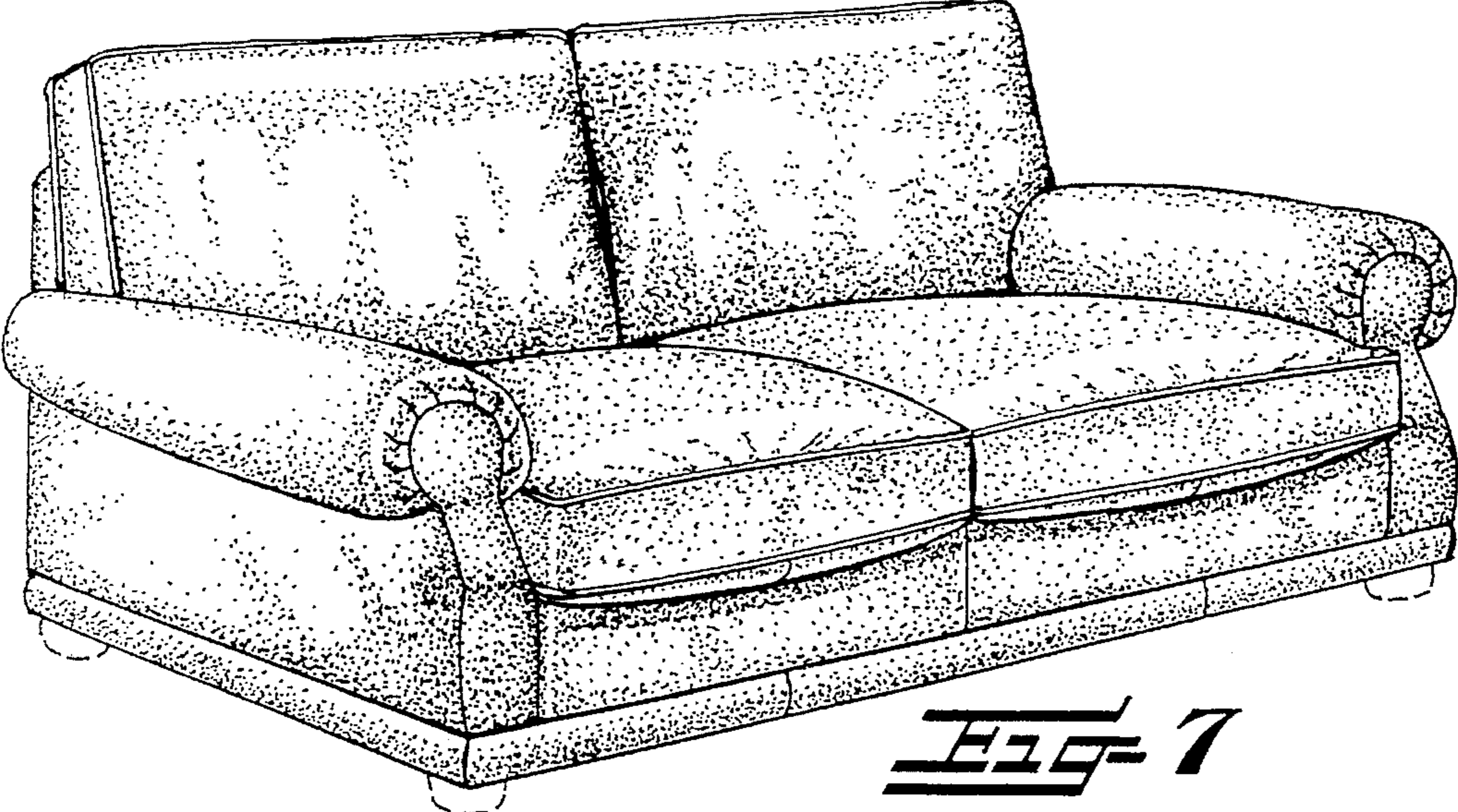
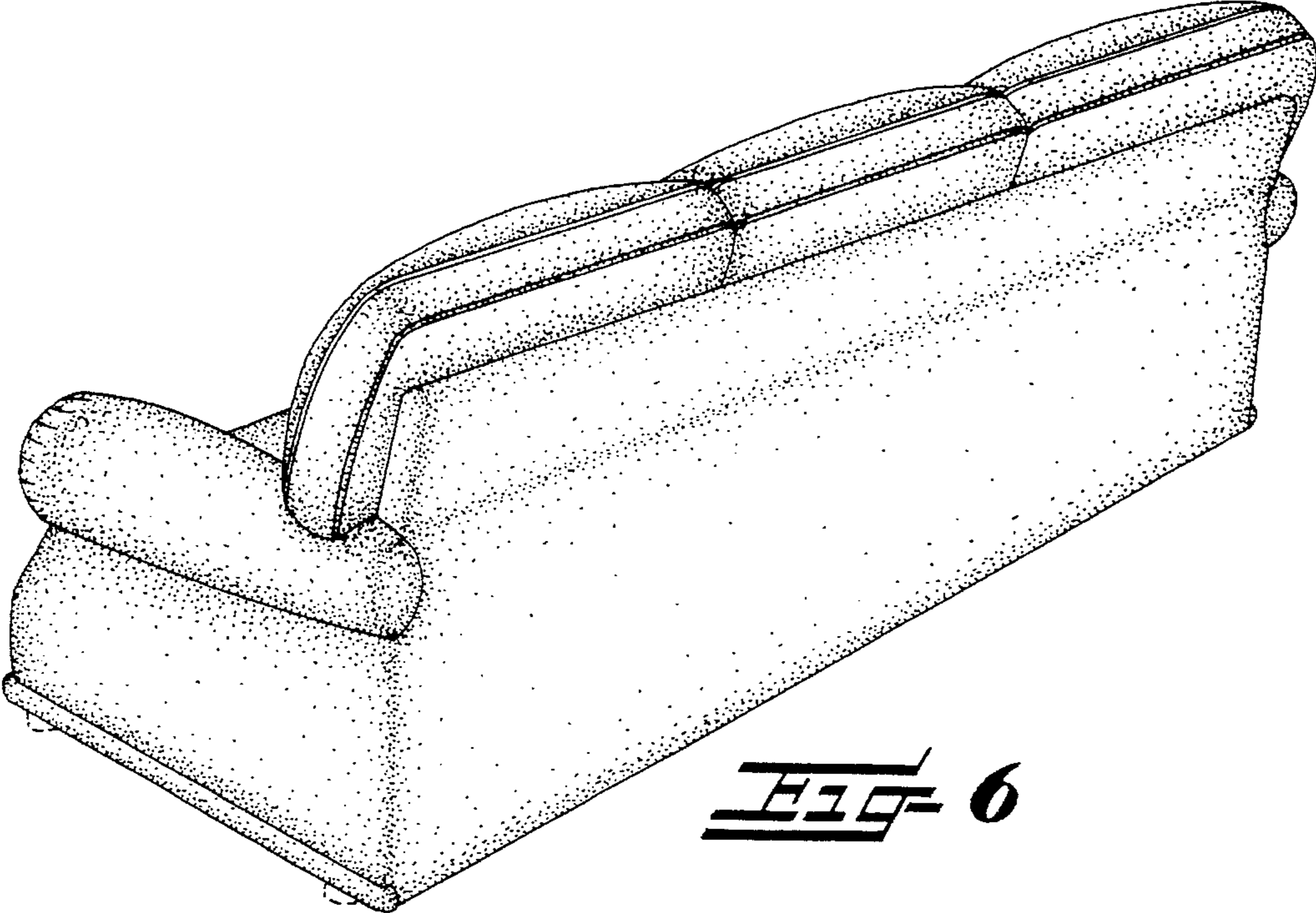


FIG- 5



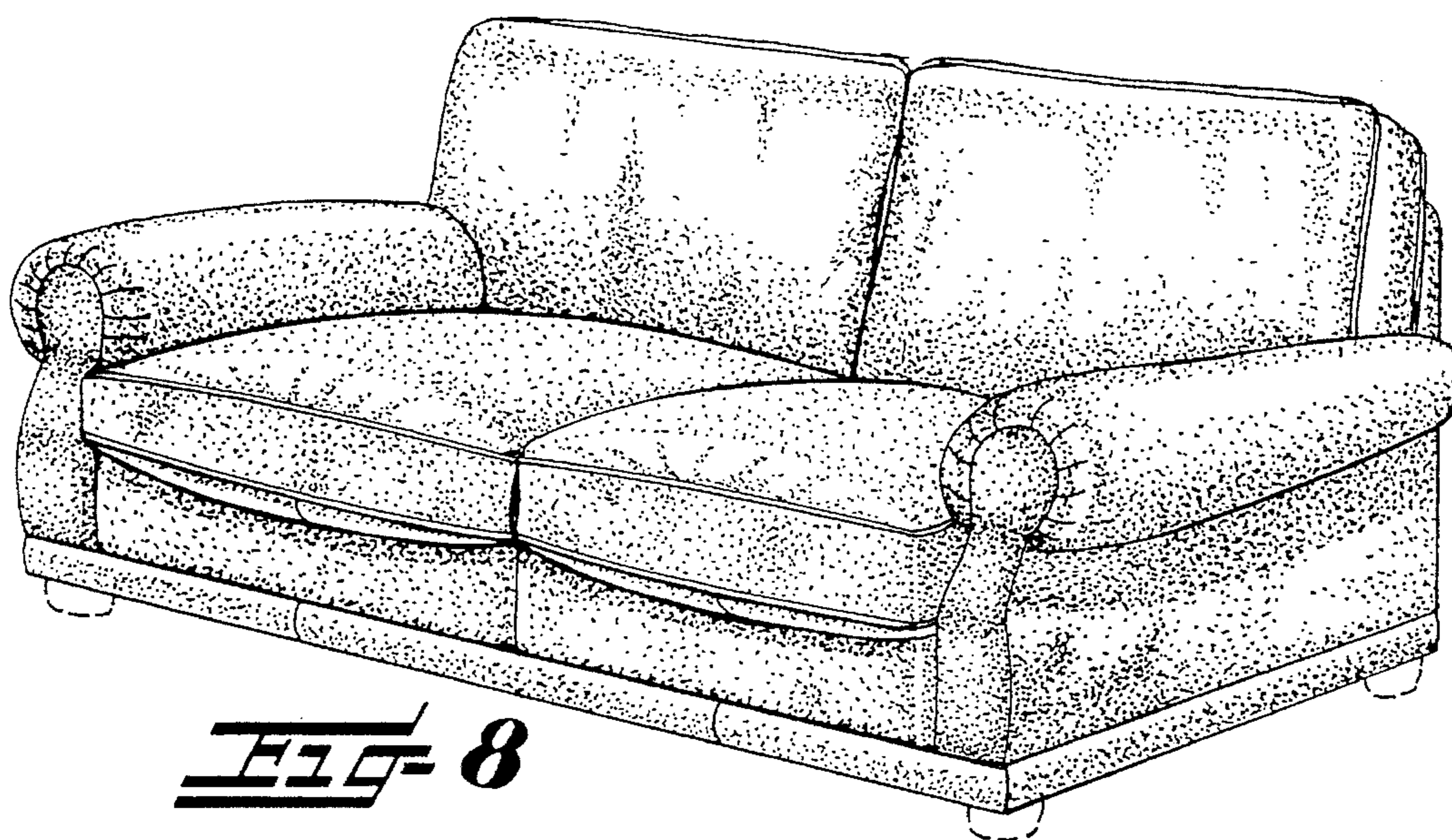


FIG- 8

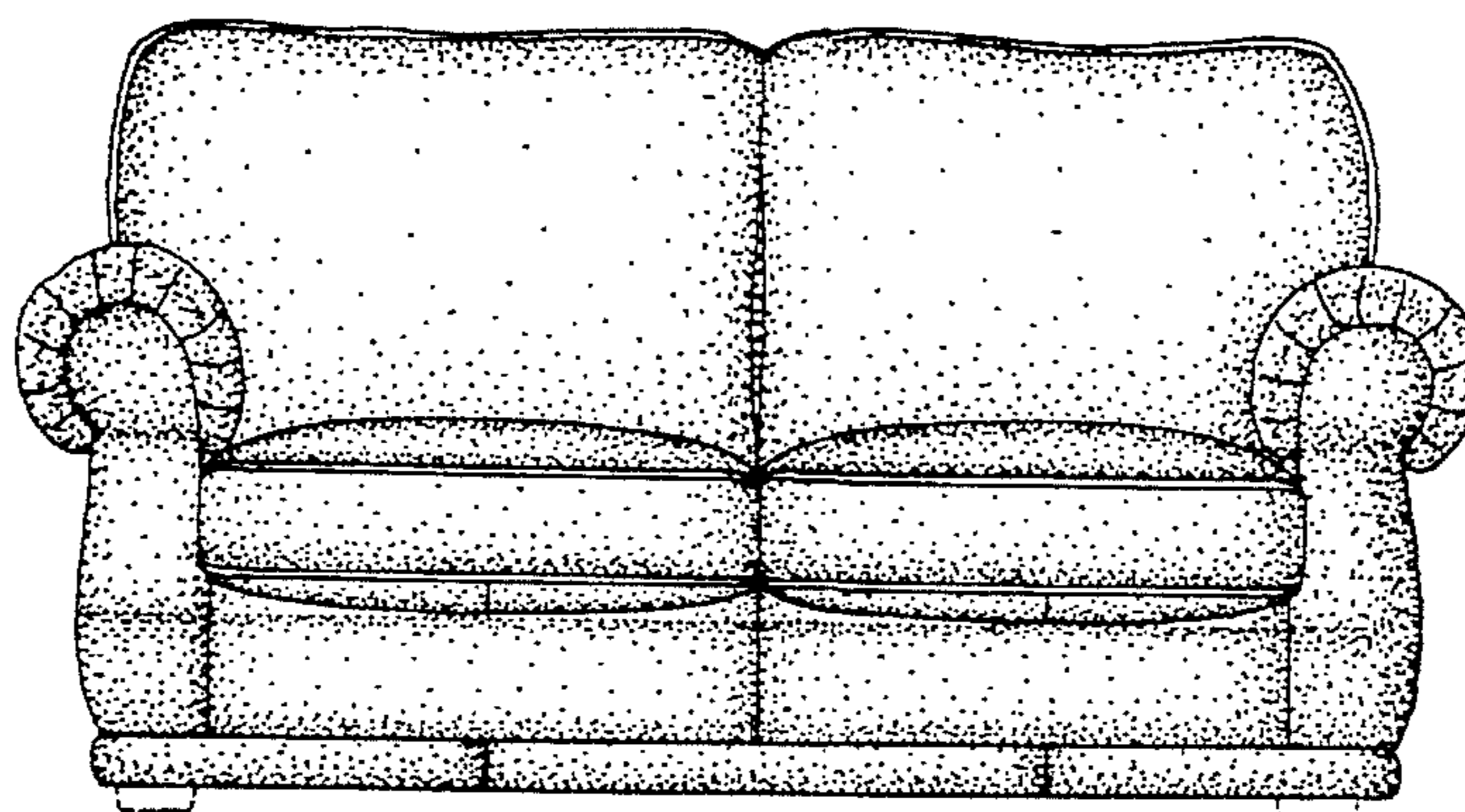


FIG- 9

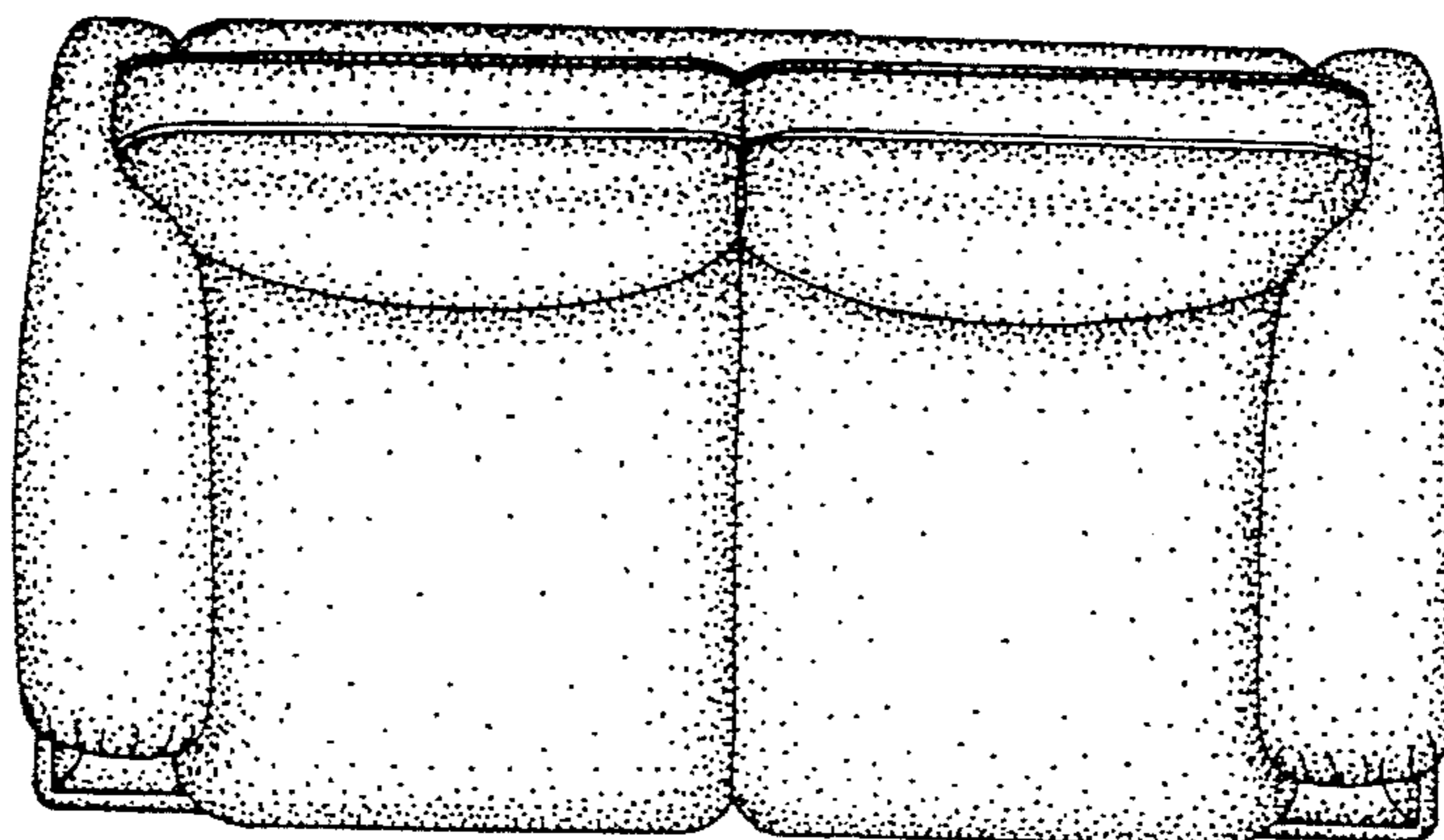


FIG- 10

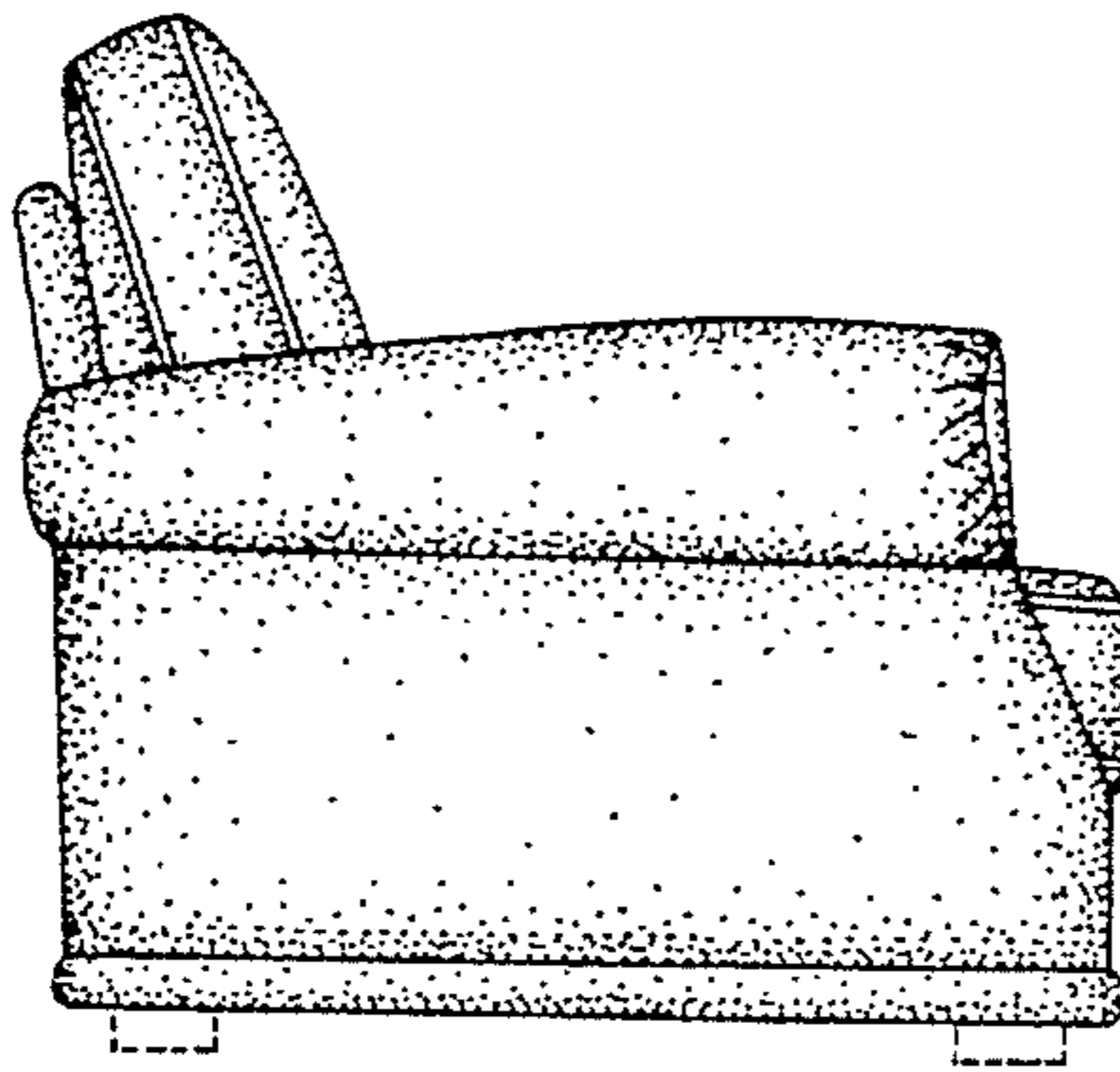


FIG-11

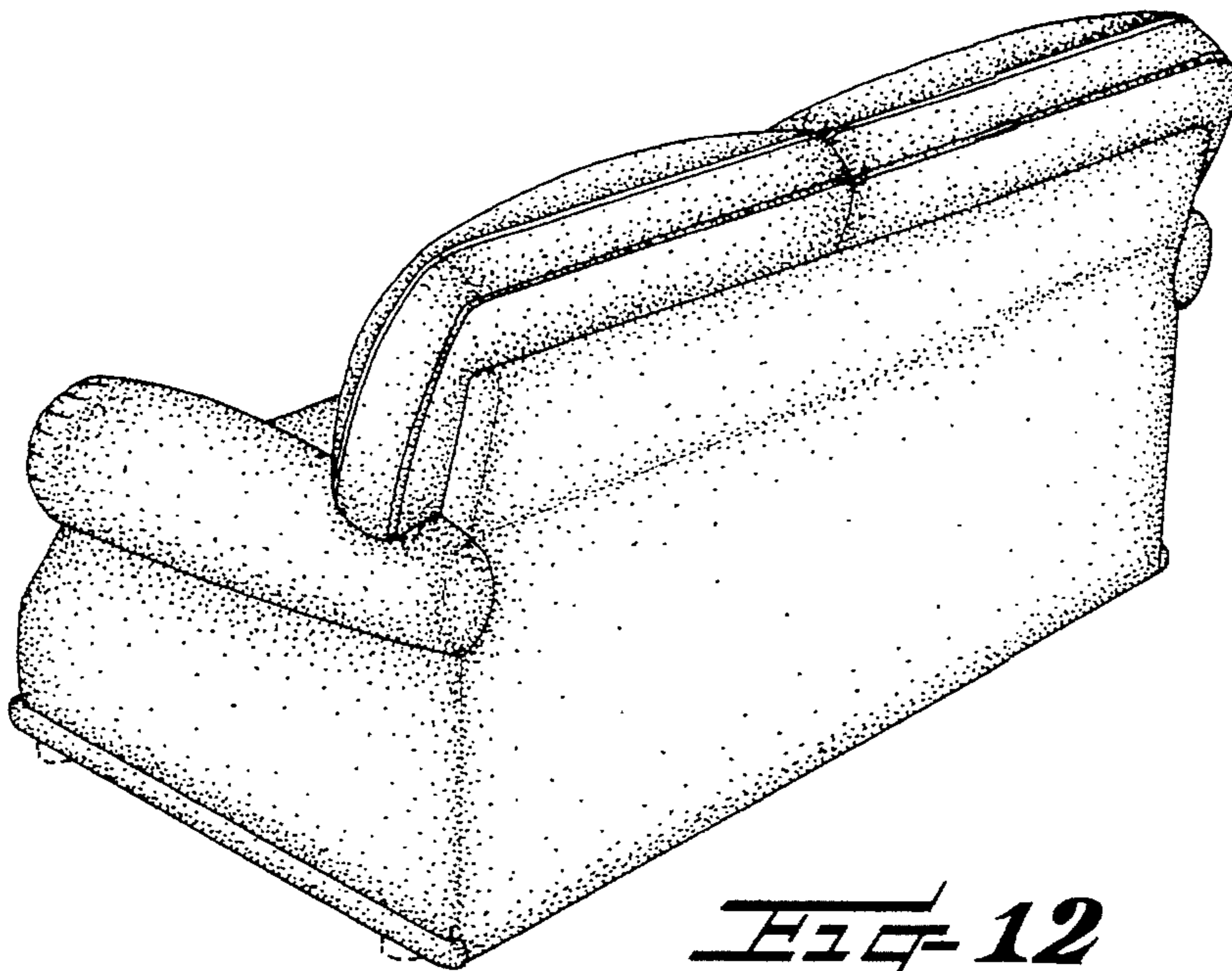


FIG-12

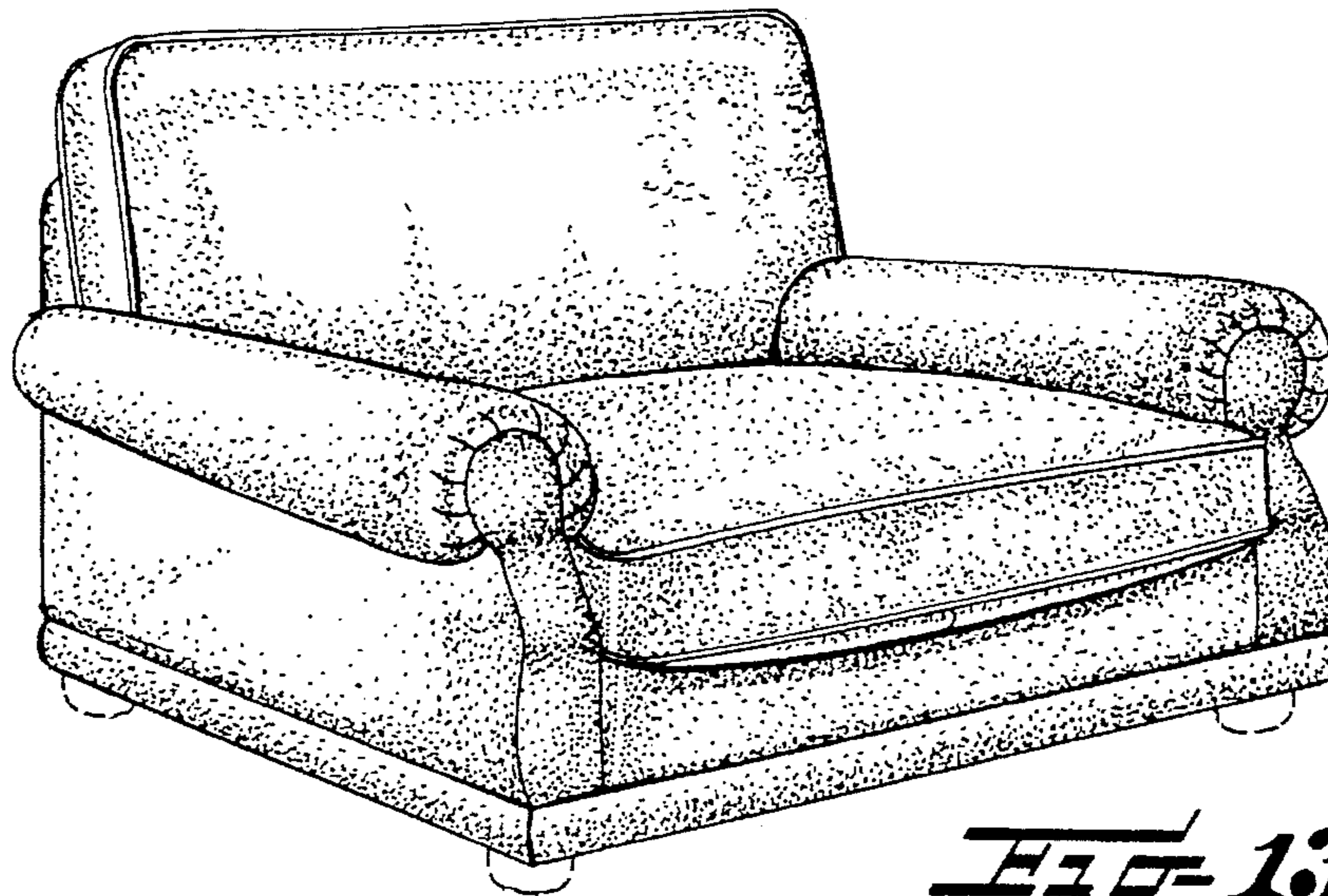


FIG-13

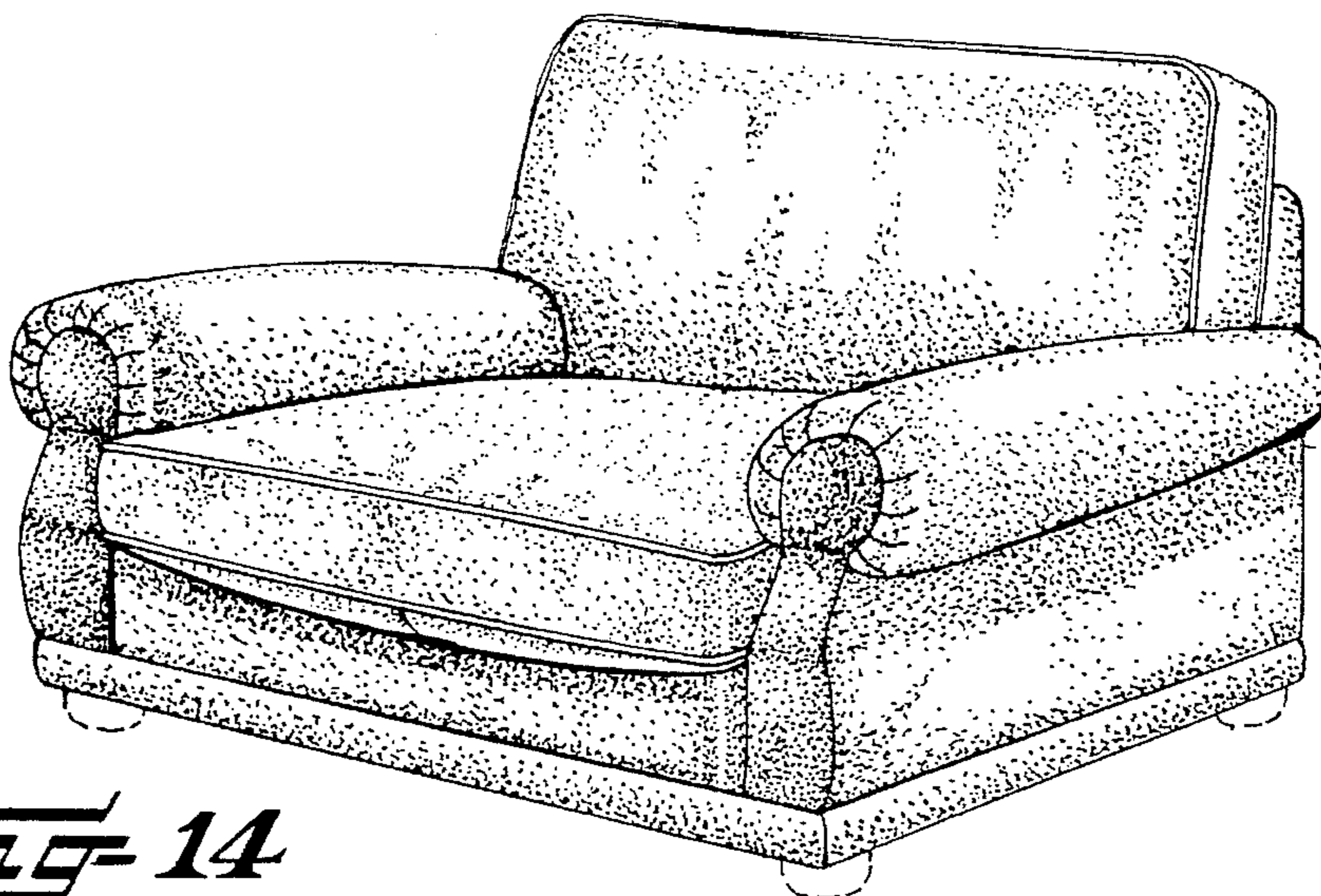


FIG-14

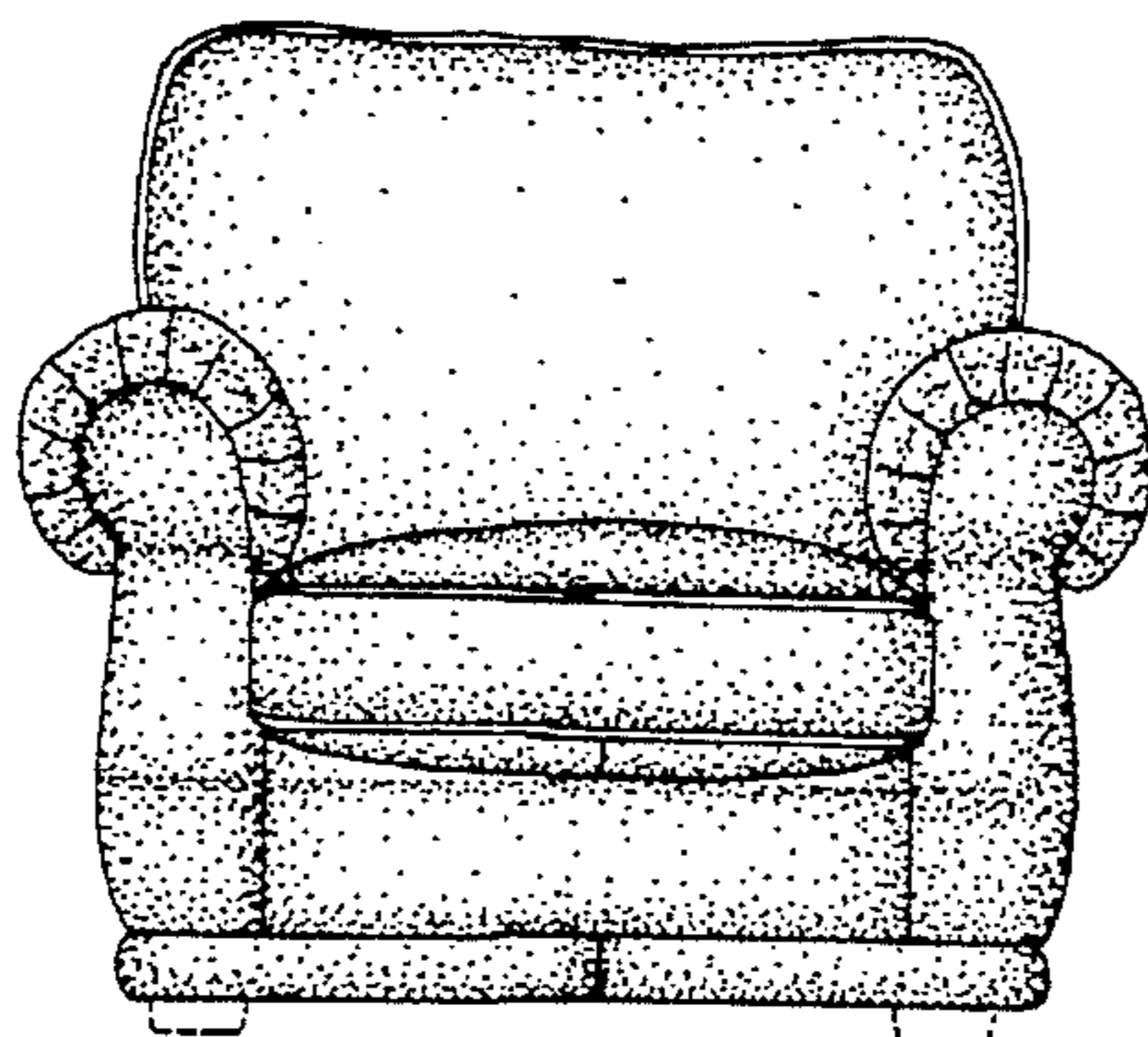


FIG-15

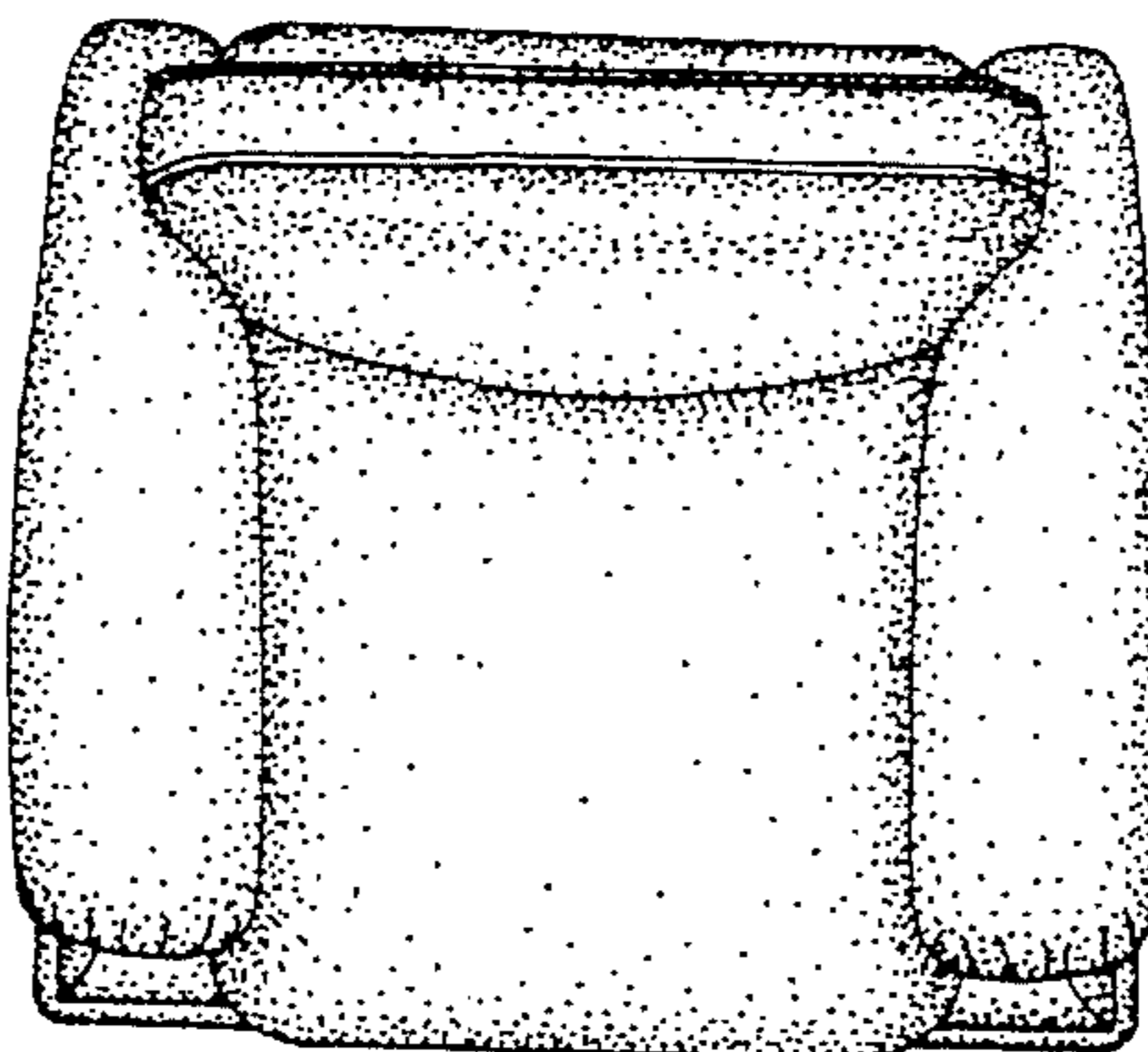


FIG-16

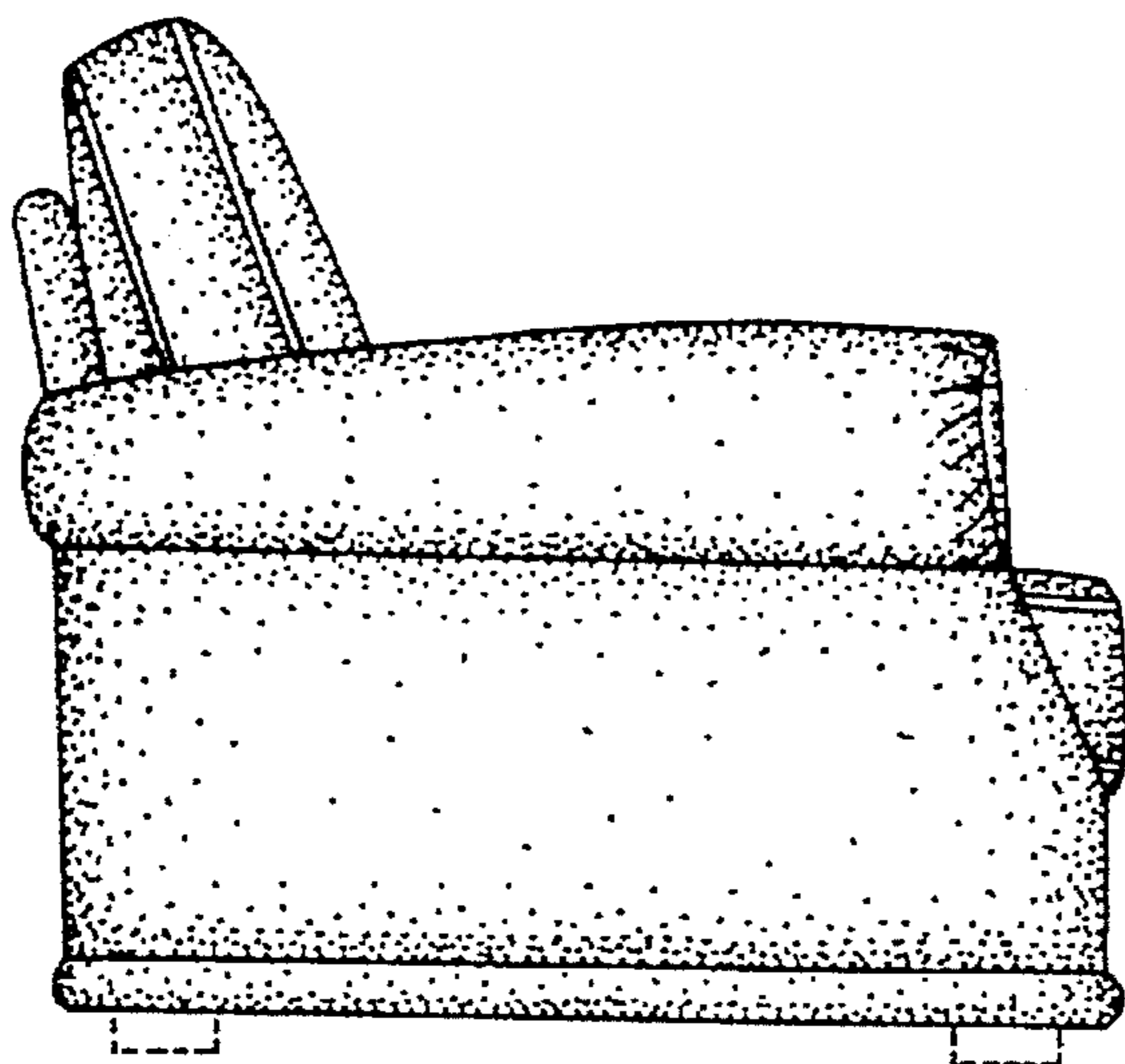


FIG-17

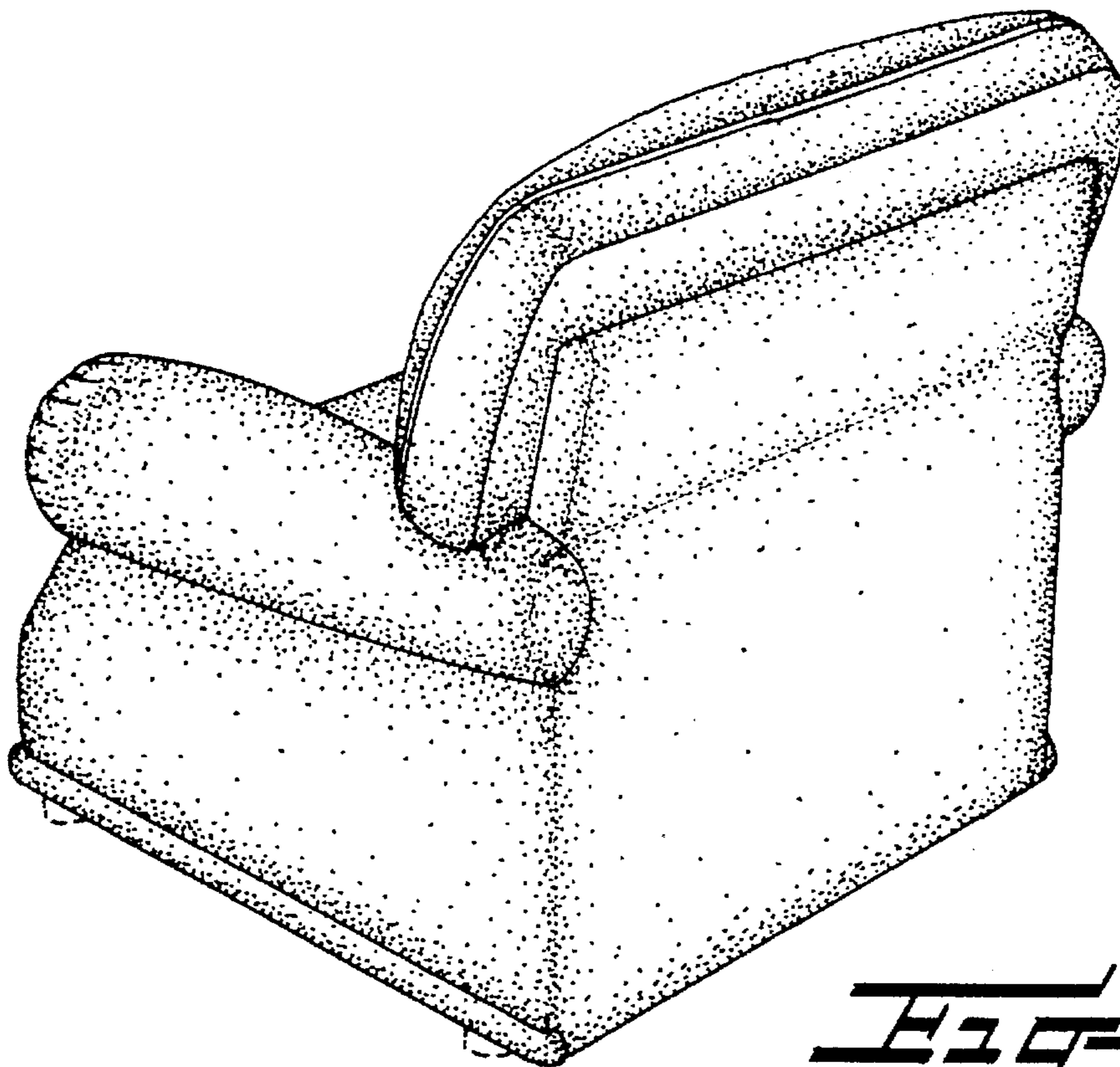


FIG-18