



US00D367178S

# United States Patent [19]

Lydick

[11] Patent Number: **Des. 367,178**

[45] Date of Patent: **\*\*Feb. 20, 1996**

[54] **BROOM HANDLE WITH BUMPERS**

[76] Inventor: **John C. Lydick**, 1714 W. 23 Suite R,  
Panama City, Fla. 32405

[\*\*] Term: **14 Years**

[21] Appl. No.: **34,035**

[22] Filed: **Jan. 25, 1995**

[52] U.S. Cl. .... **D4/138; D4/199**

[58] Field of Search ..... **D4/132, 135, 138,  
D4/199; D32/40, 50, 51; 15/143.1, 159.1,  
246**

[56] **References Cited**

**U.S. PATENT DOCUMENTS**

D. 180,355	5/1957	Blackburn	.....	D32/51
1,443,596	1/1923	Schaefer	.	
1,823,300	9/1931	Sund	.....	15/246
1,857,668	5/1932	Sund	.	
2,021,335	11/1935	Sund	.	
2,040,659	5/1936	Leiner et al.	.	
2,063,132	12/1936	Sund	.	
2,237,969	4/1941	Olsen	.	
2,701,379	2/1955	Balistreri	.....	15/246

*Primary Examiner*—A. Hugo Word  
*Assistant Examiner*—Lavone D. Tabor  
*Attorney, Agent, or Firm*—Richard C. Litman

[57] **CLAIM**

The ornamental design for broom handle with bumpers, as shown and described.

**DESCRIPTION**

FIG. 1 is a top environmental perspective view of broom handle with bumpers showing my new design;

FIG. 2 is a bottom perspective view thereof;

FIG. 3 is a top view thereof;

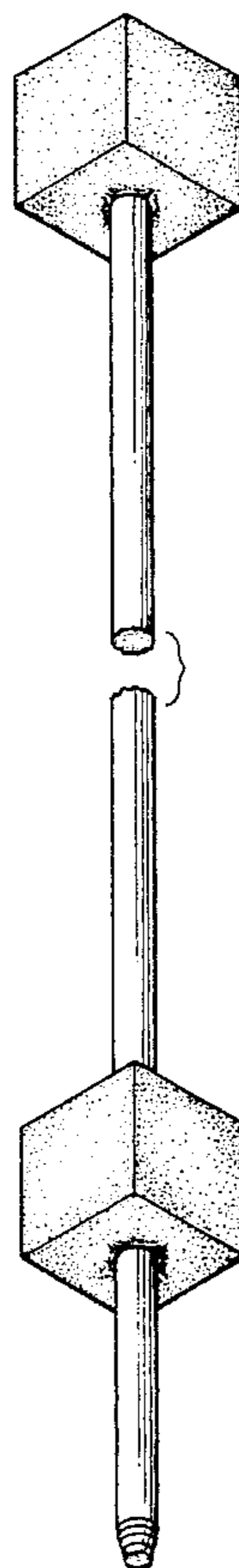
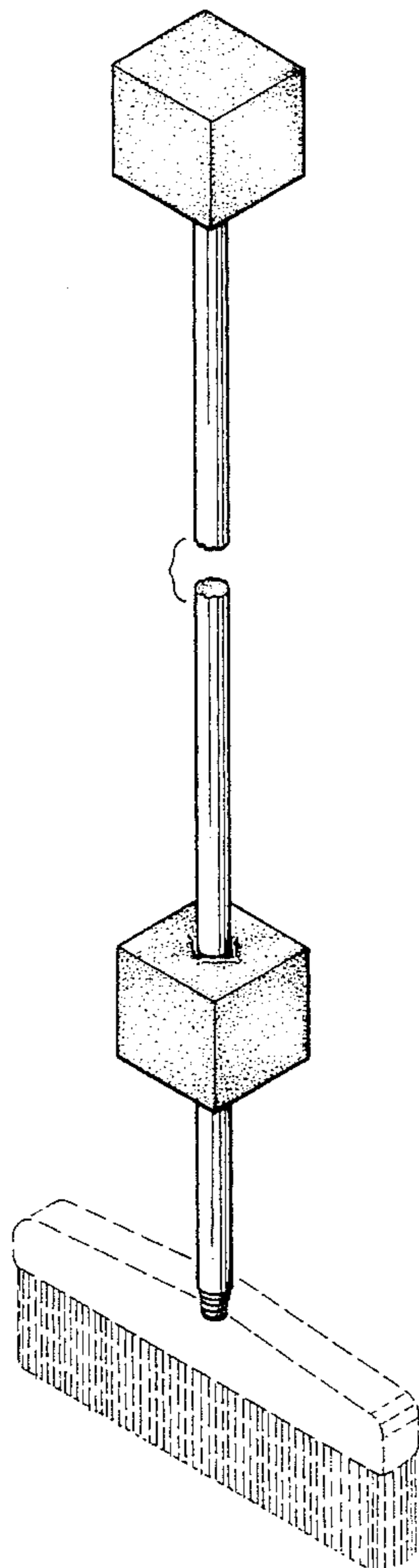
FIG. 4 is a front elevational view thereof with the rear view and the right and left side elevational views being mirror images thereof; and,

FIG. 5 is a bottom view thereof.

The broken line showing of of a broom head in FIG. 1 is for illustrative purposes only and forms no part of the claimed design.

The handle is shown broken away to indicate indeterminate length.

**1 Claim, 2 Drawing Sheets**



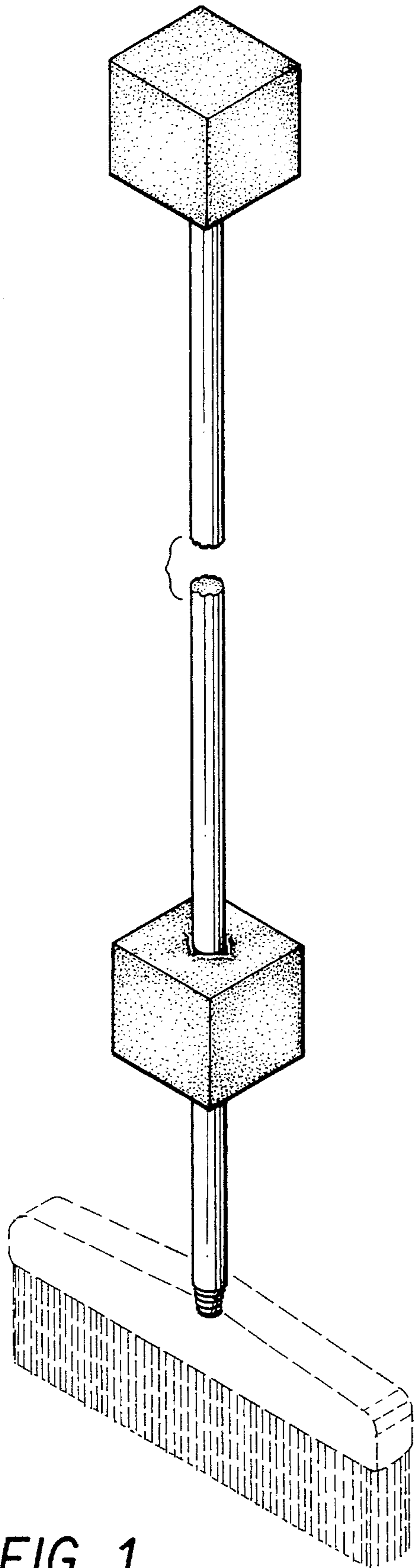


FIG. 1

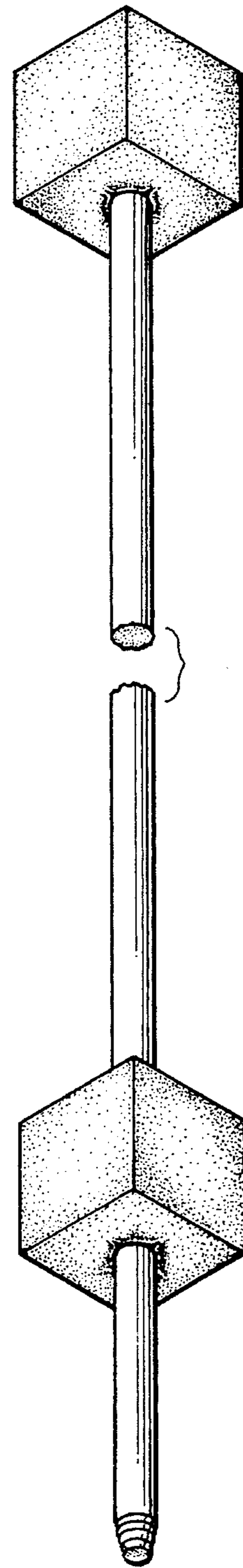


FIG. 2

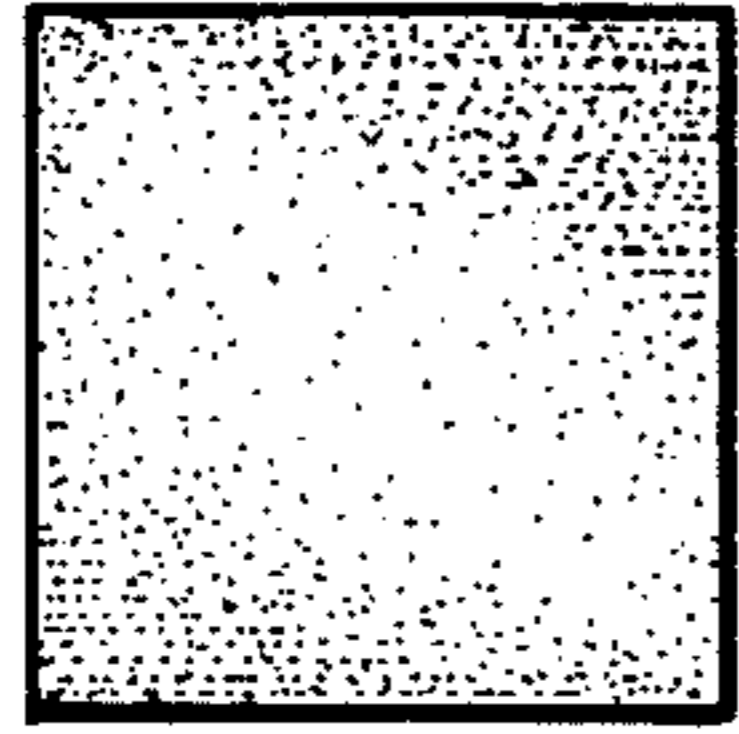


FIG. 3

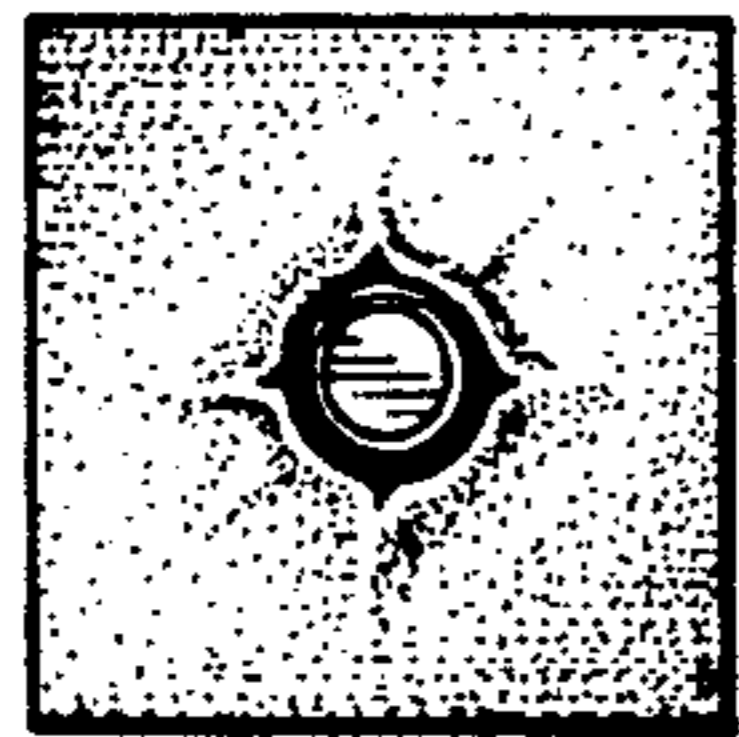


FIG. 5

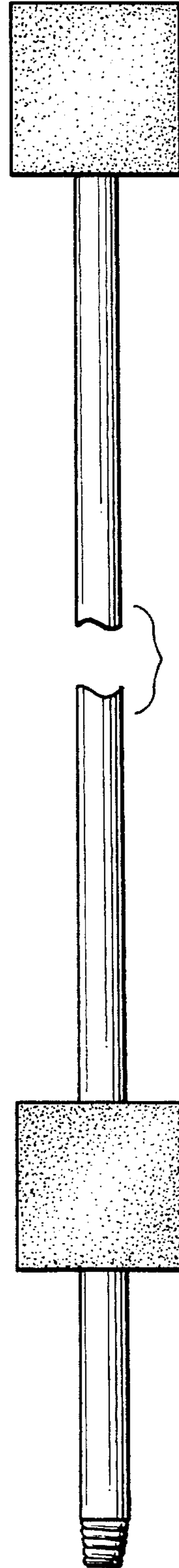


FIG. 4