



US00D367172S

United States Patent [19]

[11] Patent Number: **Des. 367,172**

Brightbill et al.

[45] Date of Patent: ****Feb. 20, 1996**

[54] **GADGET TRAY**

[75] Inventors: **Keith E. Brightbill**, Wooster; **Charles W. Craft**, Apple Creek; **John W. Koenig**, Cincinnati, all of Ohio

[73] Assignee: **Rubbermaid Incorporated**, Wooster, Ohio

[**] Term: **14 Years**

[21] Appl. No.: **32,162**

[22] Filed: **Dec. 13, 1994**

[52] U.S. Cl. **D3/310**; D7/602

[58] Field of Search D3/304, 307-314; D15/89; 220/500, 553, 555, DIG. 12; 206/557, 561; D7/550, 553, 555, 566, 602, 665

[56] **References Cited**

U.S. PATENT DOCUMENTS

- D. 332,553 1/1993 Giugiaro .
- D. 352,868 11/1994 Breen .
- D. 353,078 12/1994 Davis et al. .

OTHER PUBLICATIONS

Sell sheet, Cutlery tray; Ingrid, 1419 Lake Cook Road, Suite 200, Deerfield, Illinois 60015. Publication date Aug. 12, 1990.

Catalog page, Cutlery trays; Tucker Housewares, 25 Tucker Drive, Leominster, Massachusetts 01469. Publication date 1994.

Catalog page, Cutlery trays; Sterilite Corporation, P.O. Box 524, Townsend, Massachusetts 01469-0524. Publication date 1993.

P. 3, Cutlery/utility trays; Tucker Housewares, 25 Tucker Drive, Leominster, Massachusetts 01469. Publication date 1994.

P. 7, Compartmented silverware organizer; Beacon Quality Houseware Products, address unknown. Published at least as early as Oct., 1994.

Catalog page, Cutlery tray; Mepla, Inc., P.O. Box 1469, 909

West market Center Drive, High Point, North Carolina 27261-1469. Published at least as early as Oct., 1994.

Sell sheet, Organizers; Vance Industries Inc., 7401 West Wilson Avenue, Chicago, Illinois 60656. Published at least as early as Jun., 1993.

Catalog page, Cutlery tray; Tontarelli SPA, Via Camerano, 5-60022, Castelfidardo (AN). Published at least as early as Jun., 1993.

Catalog page, Trays; Dupol-Rubbermaid GmbH, An der Trift 63, D-6072 Dreieich, Germany. Publication date 1971. Catalog page, Cutlery trays; Dupol-Rubbermaid GmbH, An der Trift 63, D-6072 Dreieich, Germany. Publication date 1988.

P. 7, Cutlery trays; Rubbermaid Incorporated, 1147 Akron Road, Wooster, Ohio 44691. Publication date 1964.

P. 13, Cutlery trays; Rubbermaid Party Plan, Chillicothe, Ohio. Publication date May, 1979.

Catalog page, Cutlery trays; Rubbermaid Incorporated, 1147 Akron Road, Wooster, Ohio 44691. Publication date 1983.

Sell sheet, Cutlery trays; Rubbermaid Incorporated, 1147 Akron Road, Wooster, Ohio 44691. Publication date 1989.

P. 5, Cutlery trays; Rubbermaid Incorporated, 1147 Akron Road, Wooster, Ohio 44691. Publication date 1990.

Primary Examiner—Ted Shooman

Assistant Examiner—Richelle Shelton

Attorney, Agent, or Firm—Richard B. O'Planick; Lisa B. Riedesel

[57] **CLAIM**

The ornamental design for a gadget tray, as shown and described.

DESCRIPTION

FIG. 1 is a top right front perspective view of a gadget tray showing our new design;

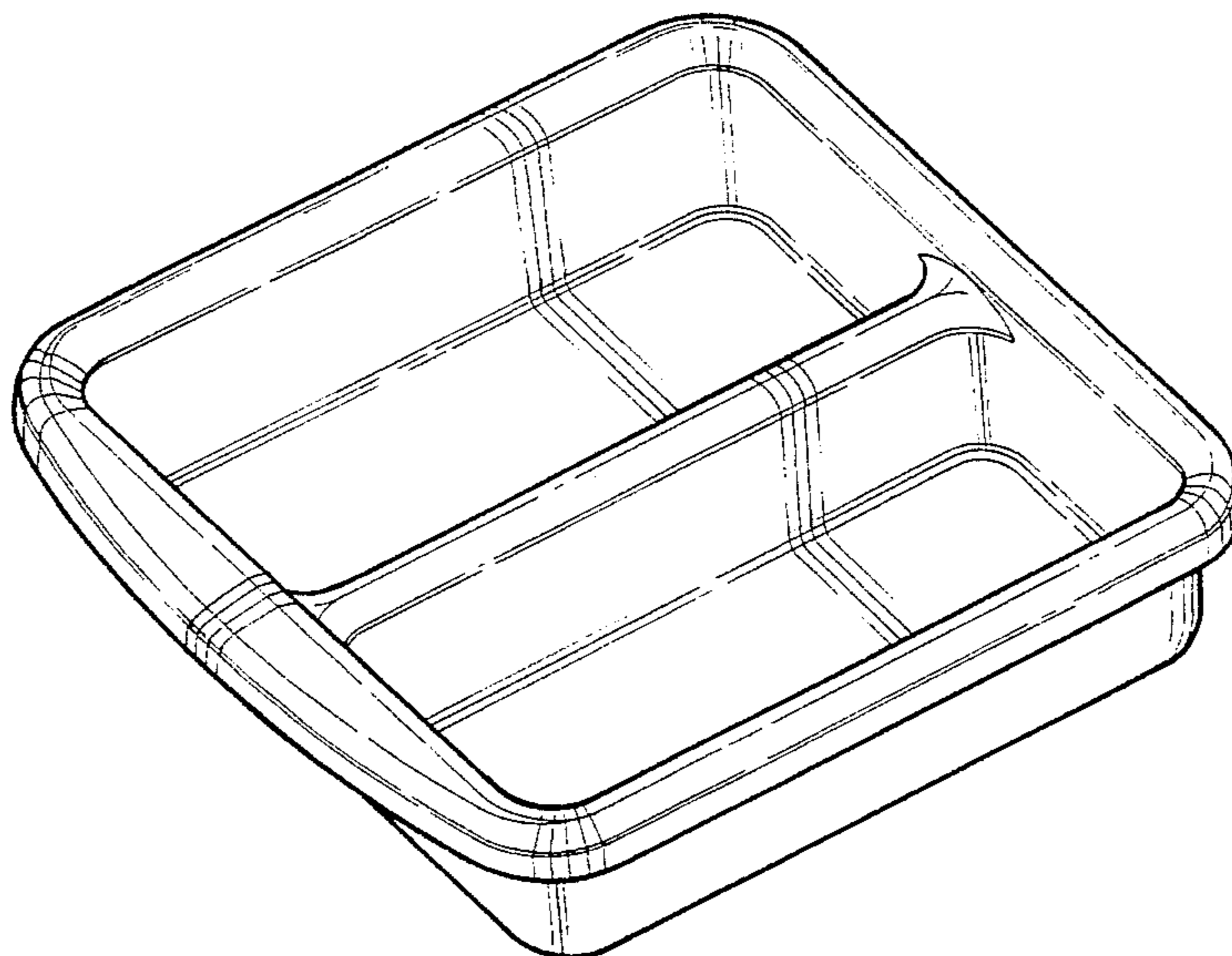
FIG. 2 is a top plan view thereof;

FIG. 3 is a right side elevational view thereof; the left side elevational view being a mirror image;

FIG. 4 is a rear elevational view thereof; and,

FIG. 5 is a bottom plan thereof.

1 Claim, 2 Drawing Sheets



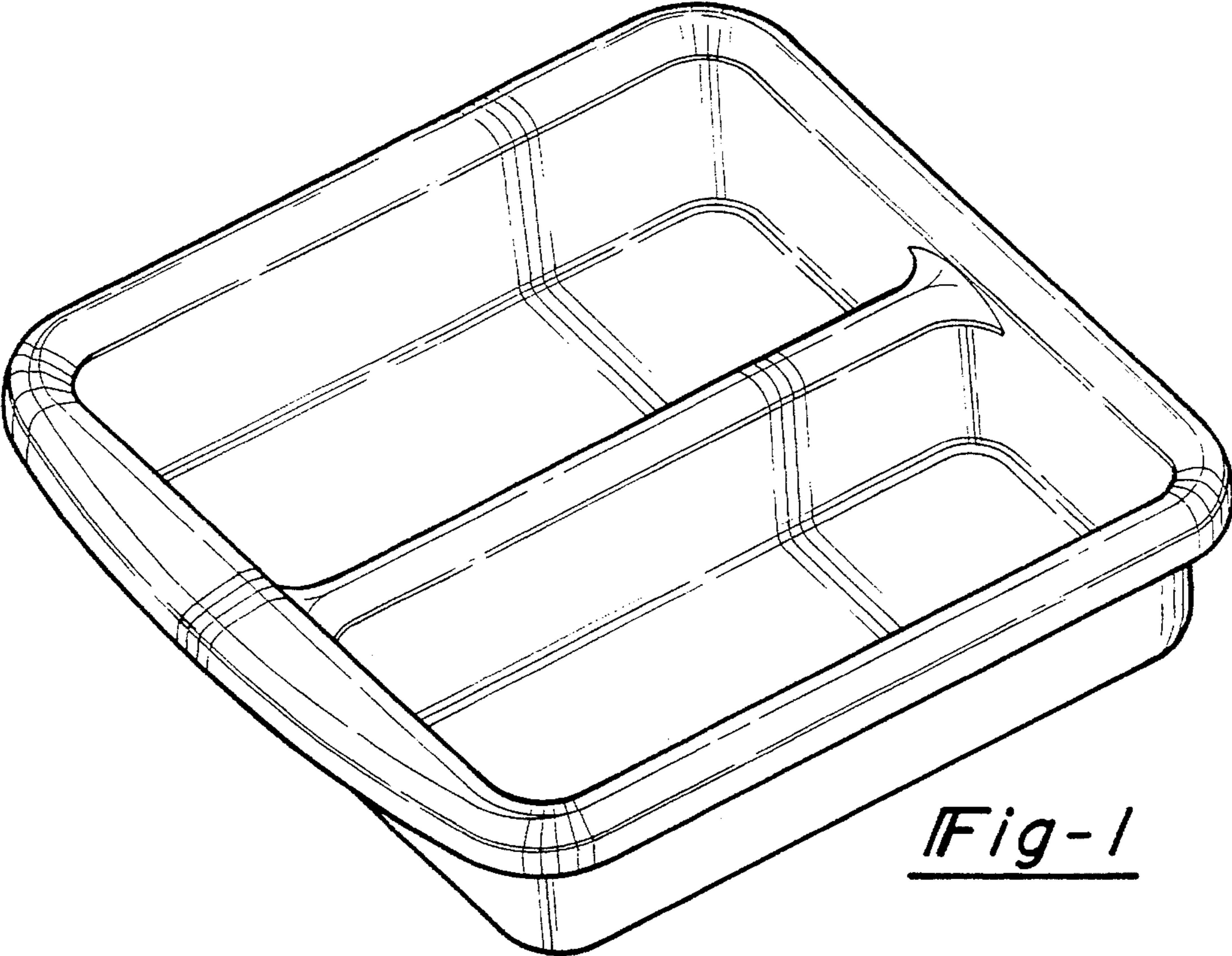


Fig-1

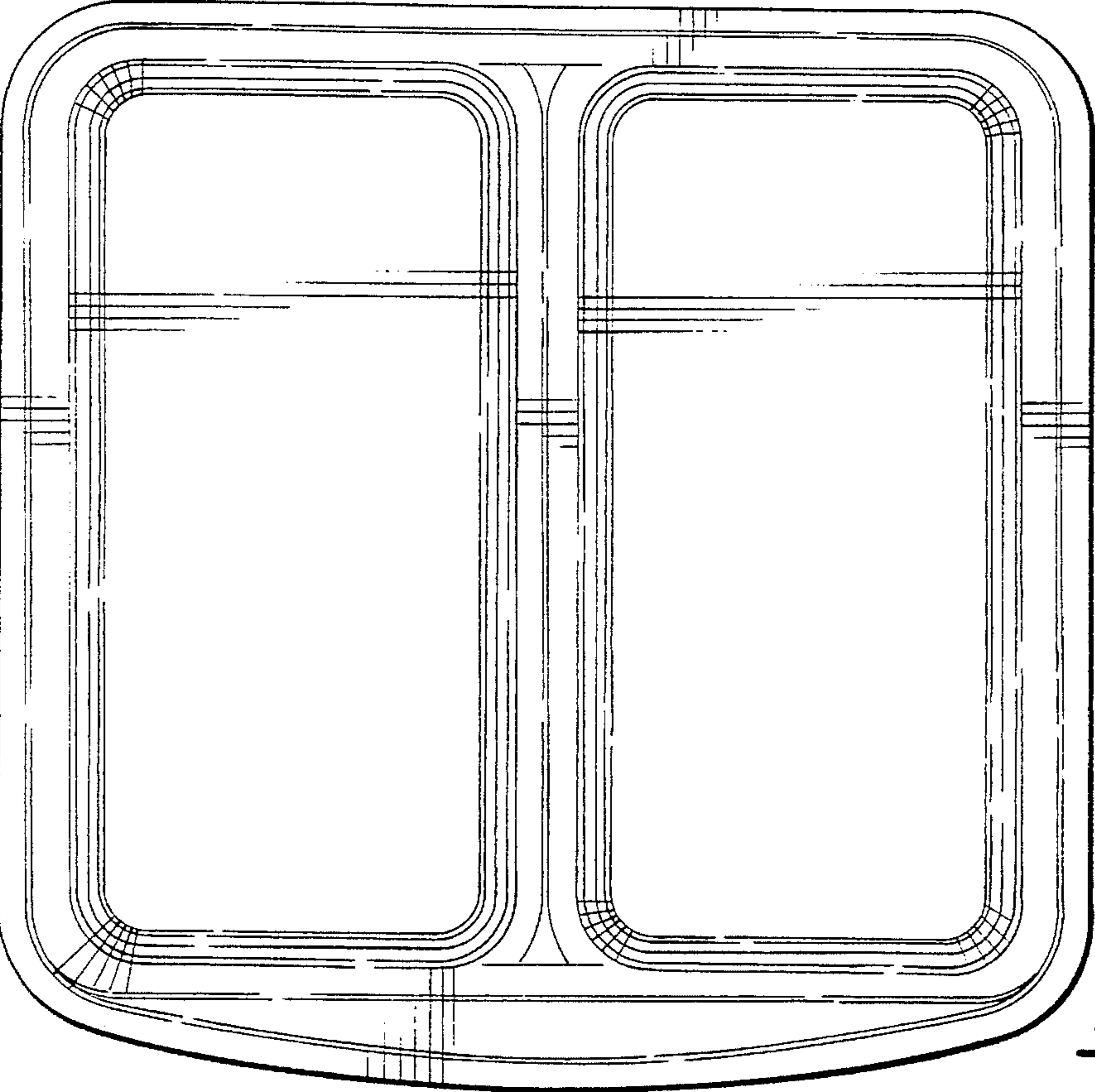


Fig-2

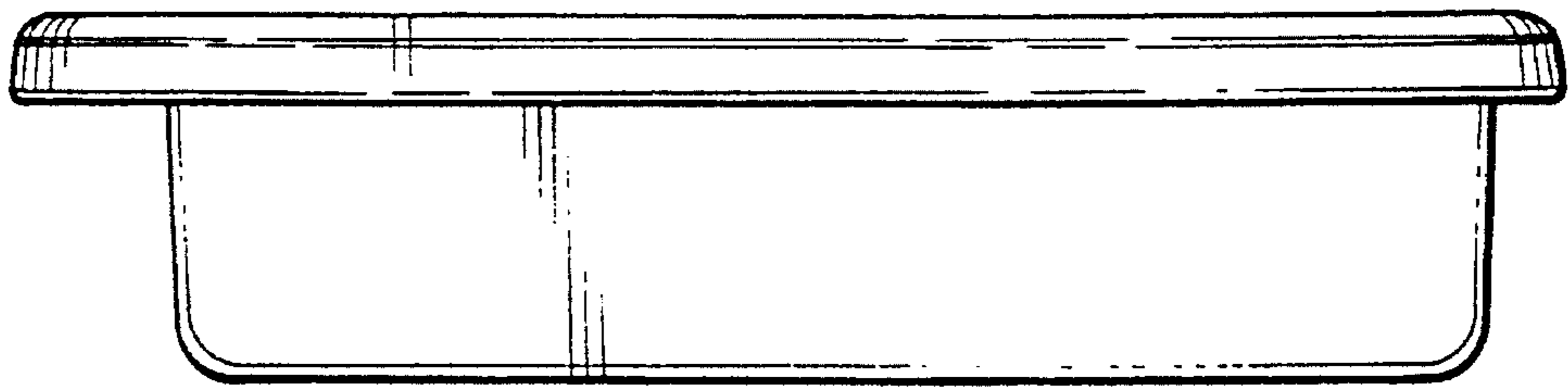


Fig-3

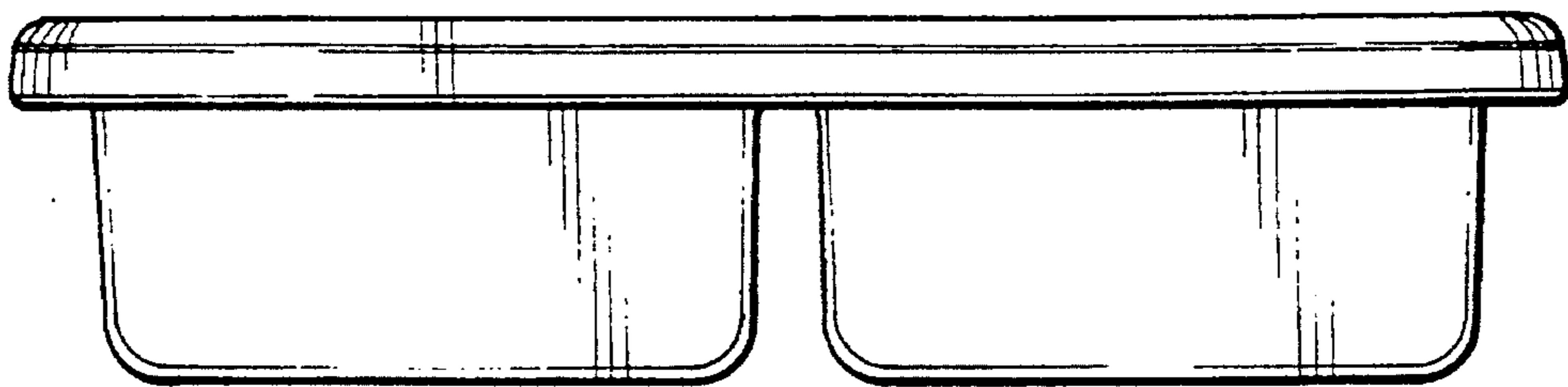


Fig-4

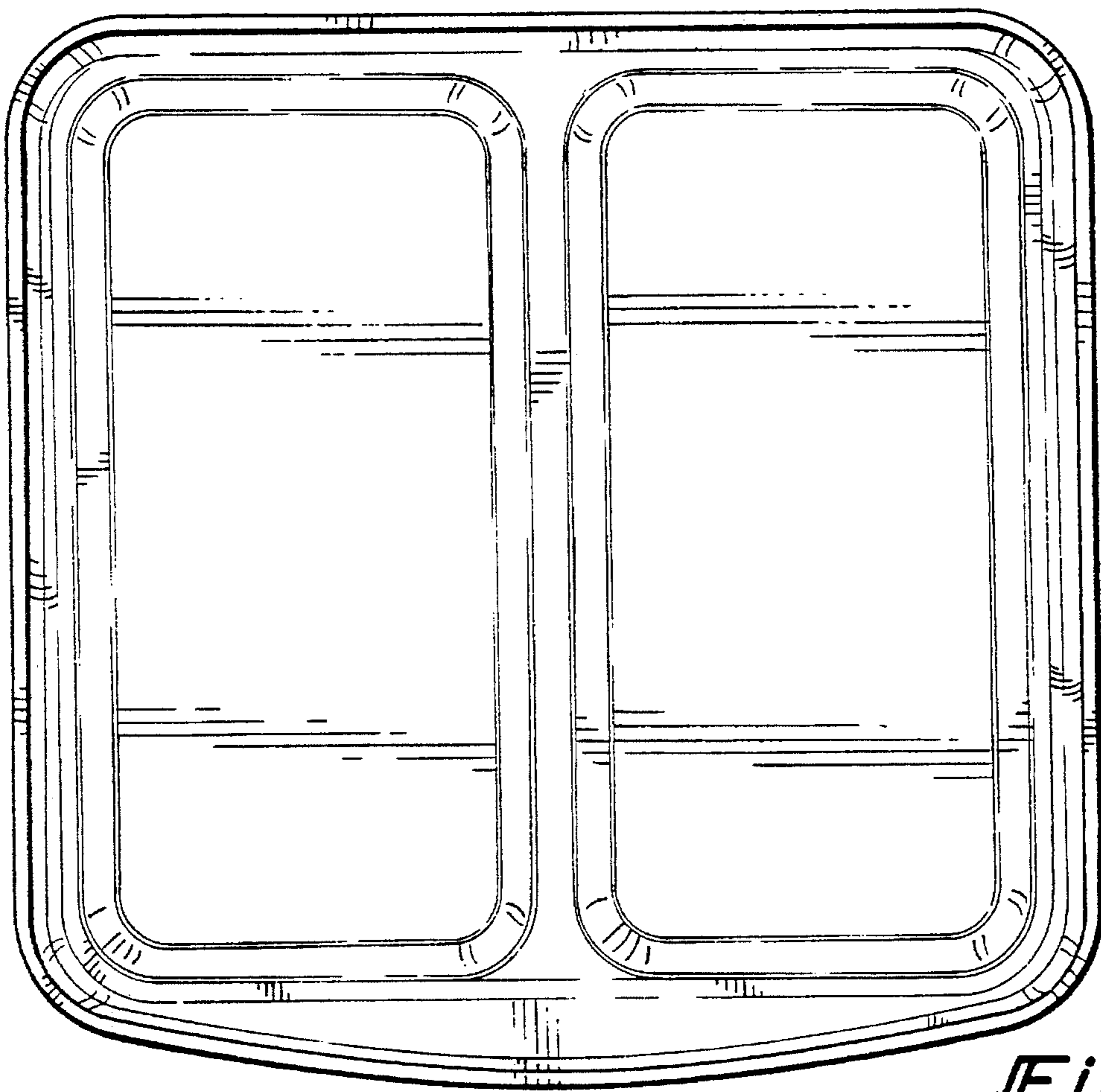


Fig-5