



US00D367171S

# United States Patent [19]

[11] Patent Number: **Des. 367,171**

**Pucel**

[45] Date of Patent: **\*\*Feb. 20, 1996**

[54] **PORTFOLIO**

575,348	1/1897	Hammond	.....	D3/900
2,555,820	6/1951	Satz	.....	190/115
4,872,538	10/1989	Fornier	.....	190/112

[75] Inventor: **Pierre Pucel**, Rolland, France

[73] Assignee: **Traffic Works, Inc.**, Vernon, Calif.

[\*\*] Term: **14 Years**

*Primary Examiner*—Ted Shooman  
*Assistant Examiner*—Philip Hyder  
*Attorney, Agent, or Firm*—Longacre & White

[21] Appl. No.: **29,275**

[57] **CLAIM**

[22] Filed: **Aug. 26, 1994**

The ornamental design for a portfolio, as shown and described.

[52] U.S. Cl. .... **D3/292; D3/276; D3/900**

[58] Field of Search ..... D3/276, 273, 282, D3/285, 286, 292, 900; 190/100, 103, 107, 109, 111, 112, 115, 116, 124, 900, 903

**DESCRIPTION**

[56] **References Cited**

**U.S. PATENT DOCUMENTS**

D. 206,985	2/1967	England	.....	D3/303
D. 258,552	3/1981	Stolarz	.....	D3/292
D. 278,858	5/1985	Katz et al.	.....	D3/285
D. 278,861	5/1985	Hasuike	.....	D3/292
D. 278,862	5/1985	Katz et al.	.....	D3/292
D. 295,116	4/1988	Mensing	.....	D3/285
D. 304,783	11/1989	Forman	.....	D3/285
D. 314,083	1/1991	Hankinson	.....	D3/900

FIG. 1 is a top plan view of a portfolio showing my new design the bottom plan view being identical thereto; FIG. 2 is a left-side elevational view of the portfolio shown in FIG. 1 the right side elevational view being a mirror image thereof; FIG. 3 is a front elevational view of the portfolio shown in FIG. 1; FIG. 4 is a rear elevational view of the portfolio shown in FIG. 1; and, FIG. 5 is a front, left-side perspective view of the portfolio shown in FIG. 1, shown in an open position.

**1 Claim, 2 Drawing Sheets**

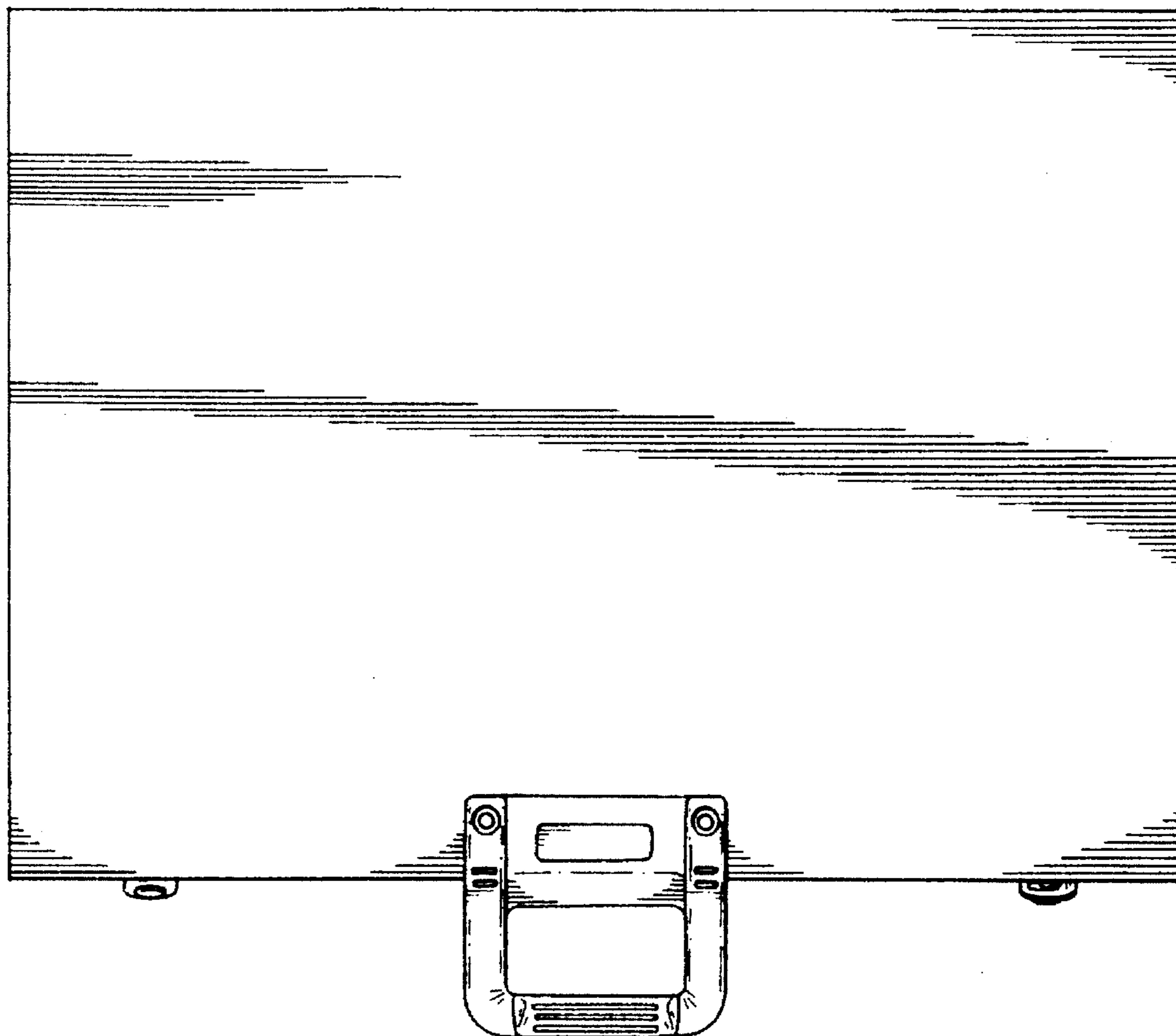


FIG. 1

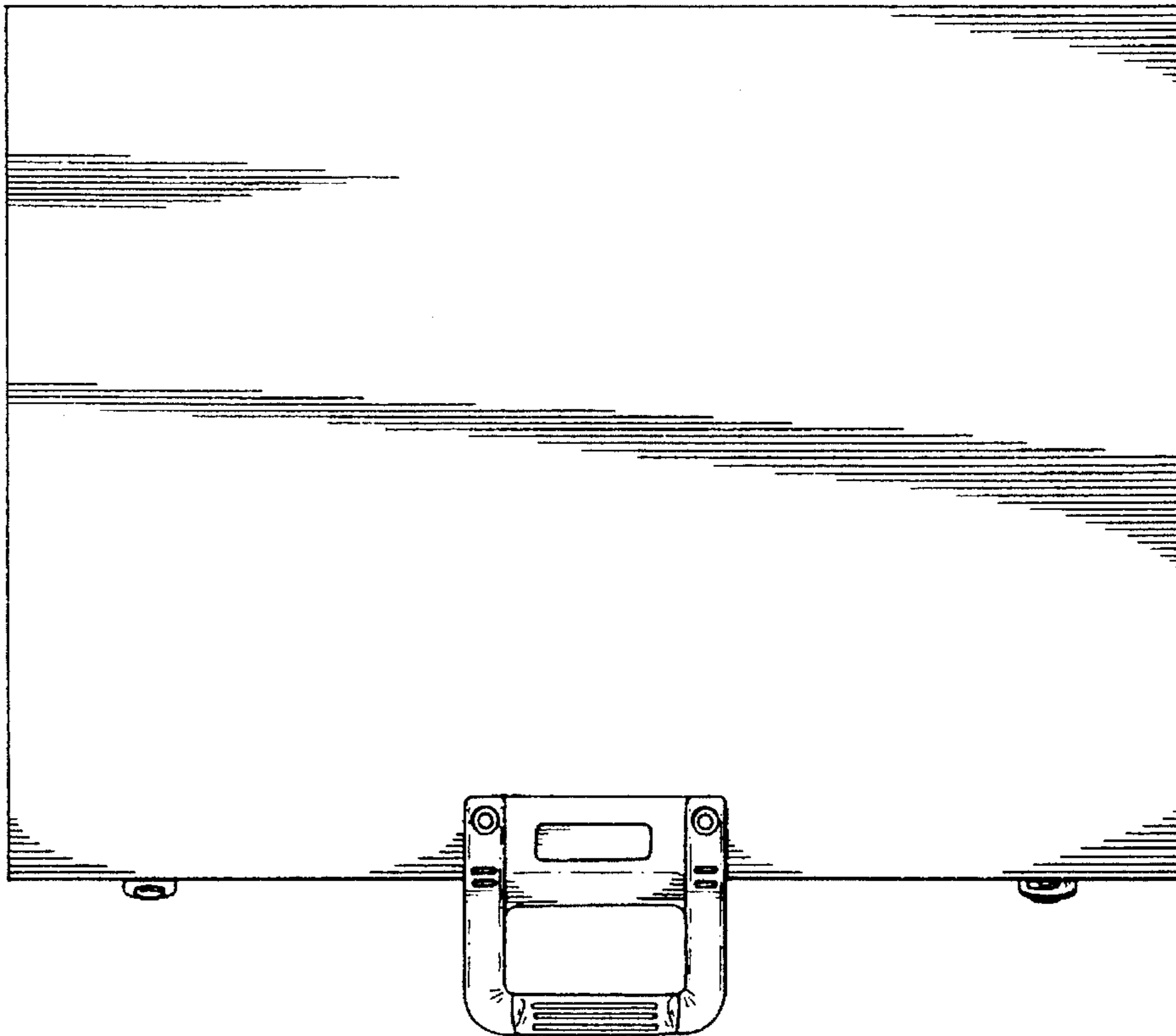


FIG. 2

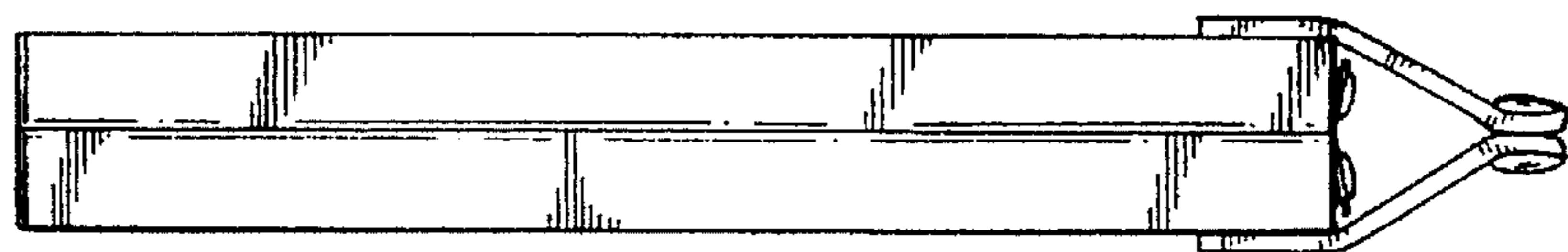


FIG. 3

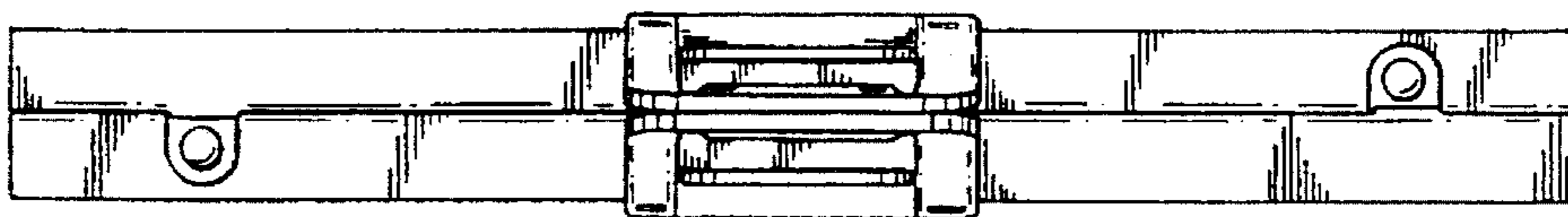
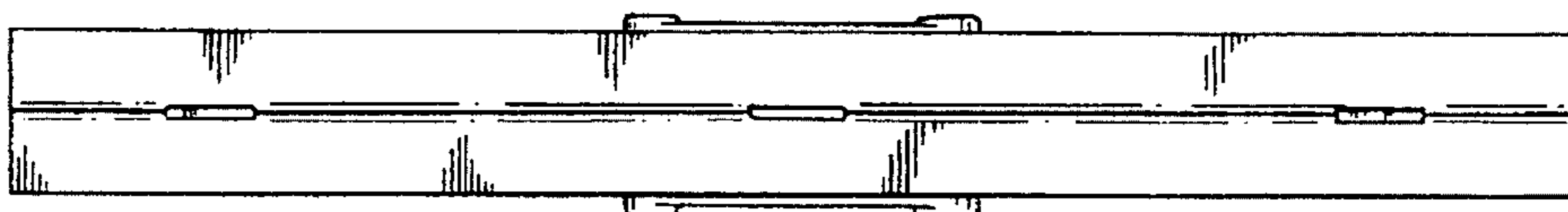


FIG. 4



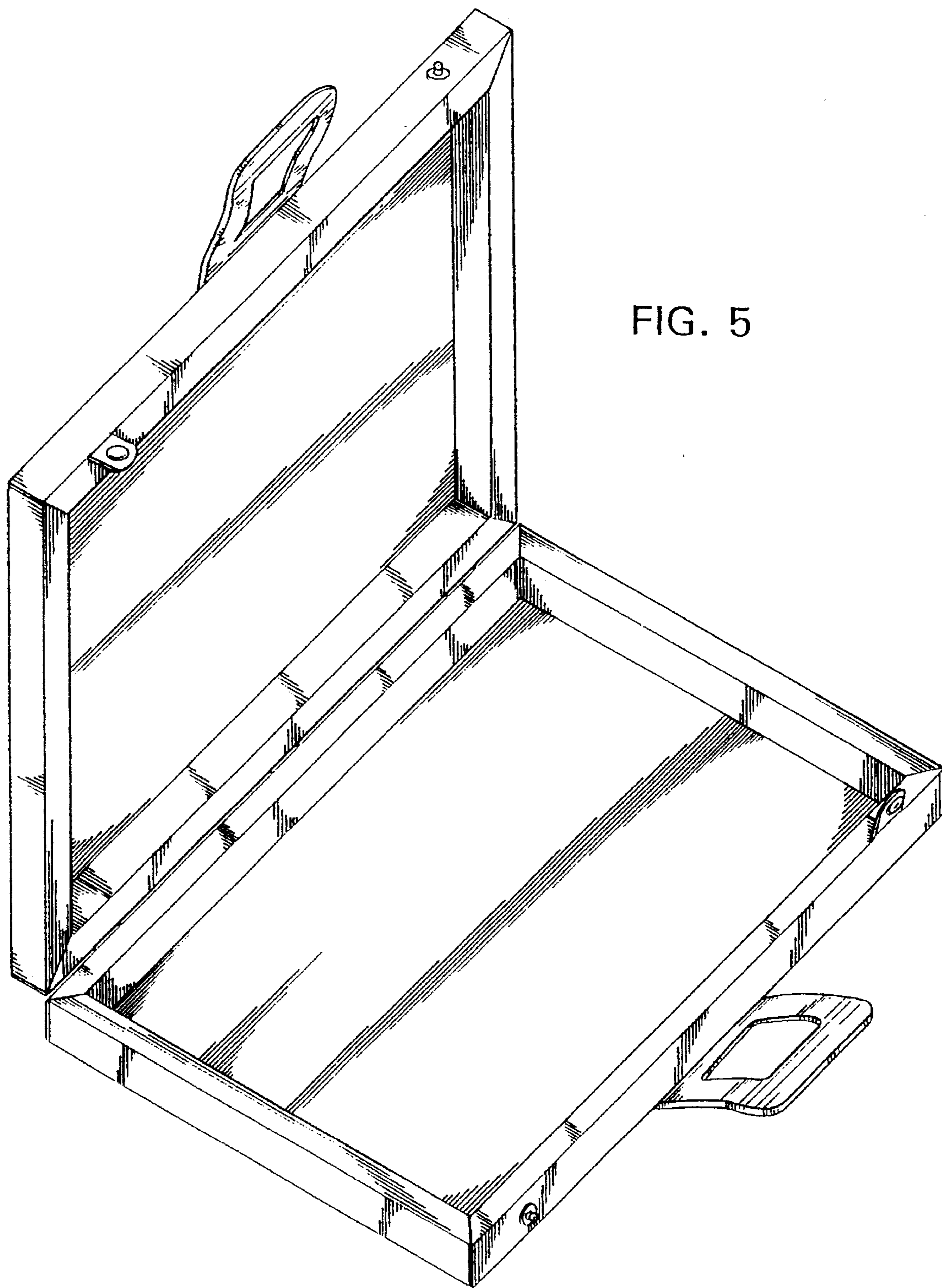


FIG. 5