



US00D367149S

United States Patent [19]
Jones

[11] **Patent Number: Des. 367,149**

[45] **Date of Patent: **Feb. 13, 1996**

[54] **TOLL COIN DISPENSER**

[76] Inventor: **Jeffery Jones**, 175 Prospect St., Suite 9K, East Orange, N.J. 07017

[**] Term: **14 Years**

[21] Appl. No.: **24,797**

[22] Filed: **Jun. 21, 1994**

[52] U.S. Cl. **D99/34**

[58] Field of Search D99/34; D20/1, D20/2; 453/32, 31; 206/0.8, 0.81, 0.82, 0.83, 0.84; 229/87.2, 93, 92.9; 222/494

[56] **References Cited**

U.S. PATENT DOCUMENTS

D. 220,060	3/1971	Luisa	D99/34
D. 268,219	3/1983	Janetos	D99/34
D. 276,442	11/1984	Holland	D99/34
D. 281,369	11/1985	Harris	D99/34

Primary Examiner—Martie Thompson
Attorney, Agent, or Firm—Richard A. Joel

[57] **CLAIM**

The ornamental design for a toll coin dispenser, as shown and described.

DESCRIPTION

FIG. 1 is a top perspective view of a toll coin dispenser showing my new design;

FIG. 2 is an end elevational view;

FIG. 3 is an end elevational view opposite that shown in FIG. 2;

FIG. 4 is a top plan view;

FIG. 5 is a side elevational view with the end cover member in an open position; and,

FIG. 6 is a side elevational view of FIG. 1.

1 Claim, 1 Drawing Sheet

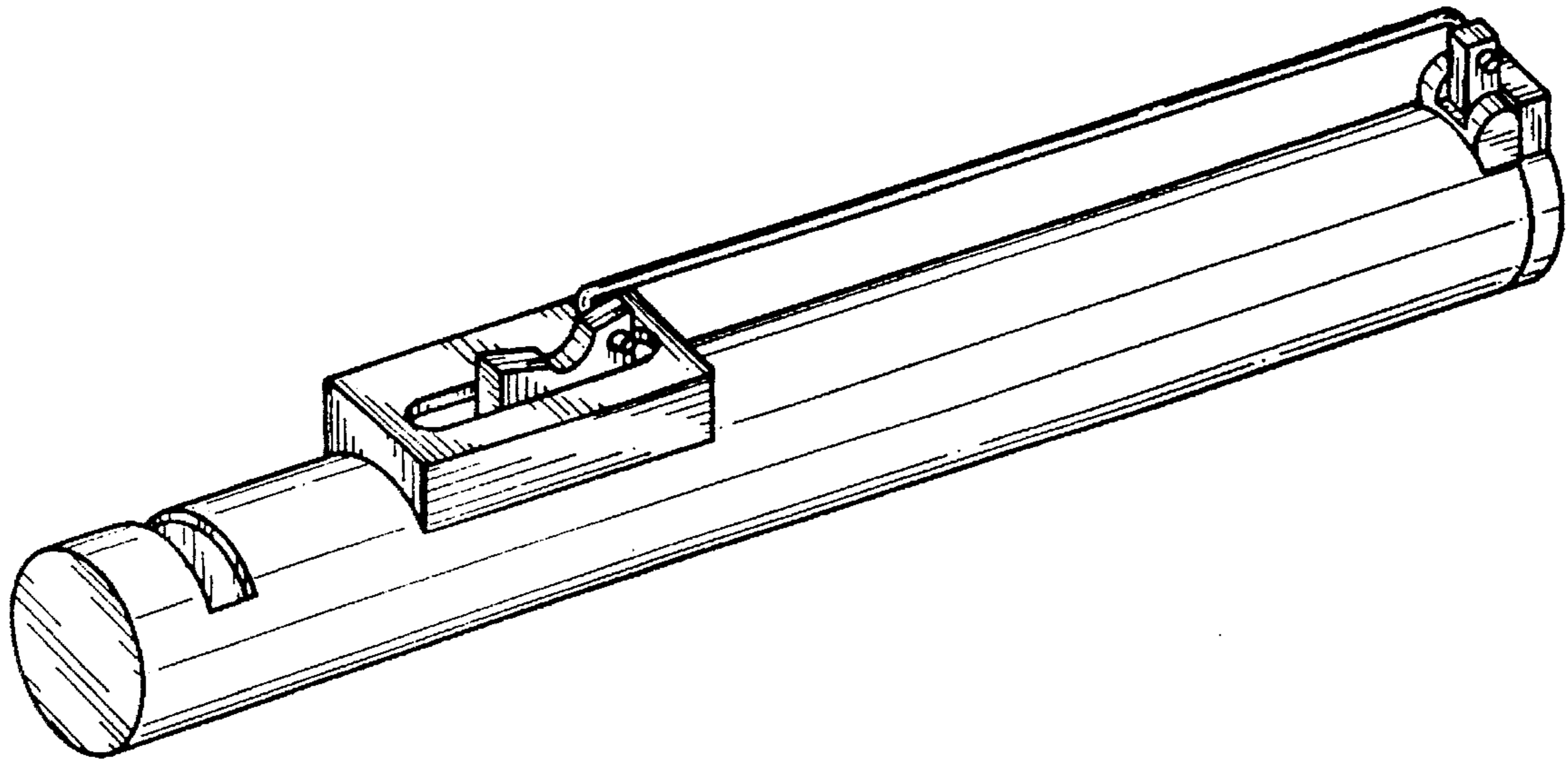


FIG. 1

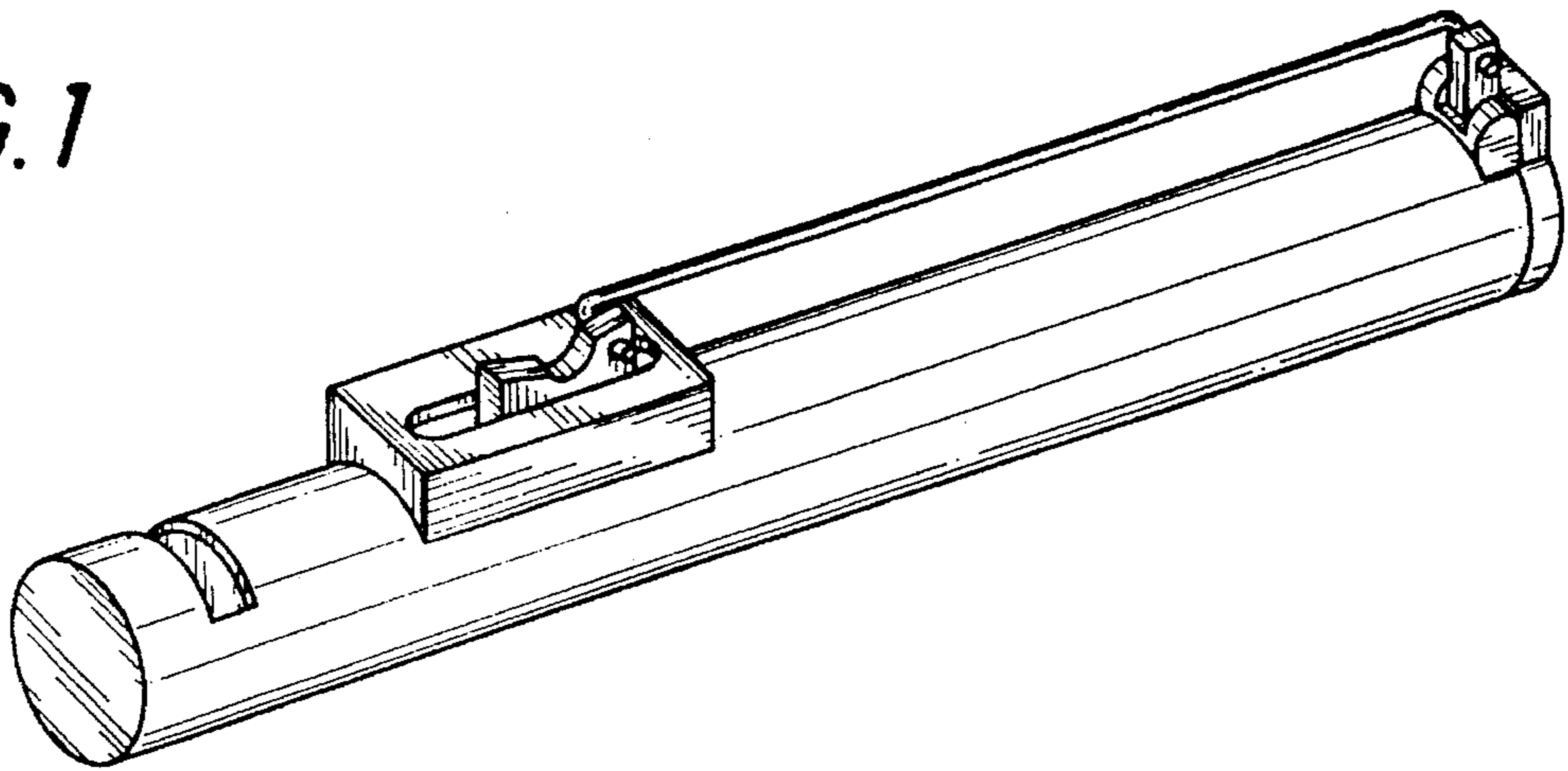


FIG. 2



FIG. 3



FIG. 4

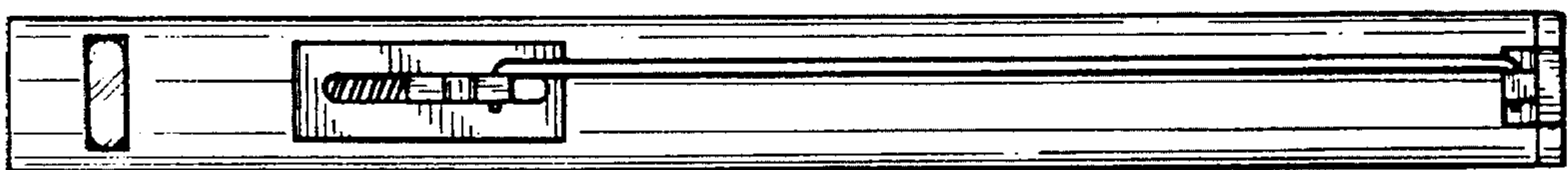


FIG. 5

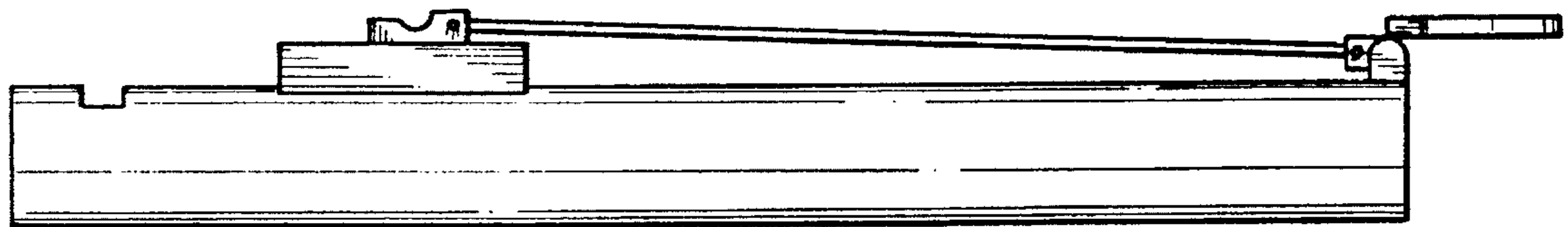


FIG. 6

