



US00D367144S

United States Patent [19]

Poskocil et al.

[11] Patent Number: **Des. 367,144**

[45] Date of Patent: ****Feb. 13, 1996**

[54] **SIXTY QUART INSTITUTIONAL MIXER BOWL BREAKDOWN HOIST**

5,199,533 4/1993 Wilke D34/28
5,369,821 12/1994 Richards et al. 5/81.1

[76] Inventors: **Berta Poskocil**, 903 Pineknot La.;
Elmer Redwine, 920 Cooterneck Rd.,
both of Heber Springs, Ark. 72543

Primary Examiner—A. Hugo Word
Assistant Examiner—Robin V. Taylor
Attorney, Agent, or Firm—Jerry L. Mahurin

[**] Term: **14 Years**

[57] **CLAIM**

[21] Appl. No.: **21,458**

The ornamental design for a sixty quart institutional mixer bowl breakdown hoist, as shown and described.

[22] Filed: **Apr. 18, 1994**

DESCRIPTION

[52] U.S. Cl. **D34/33; D34/28**

[58] Field of Search D34/28, 33; 5/81.1,
5/89.1; 414/403-406, 785; 187/244, 243

FIG. 1 is a front isometric view of our sixty quart institutional mixer bowl breakdown hoist;

FIG. 2 is a rear isometric view of our hoist;

FIG. 3 is a front elevational view of our hoist;

FIG. 4 is a rear elevational view of our hoist;

FIG. 5 is a right side elevational view of our hoist;

FIG. 6 is a left side elevational view of our hoist; and,

FIG. 7 is a top plan view of our hoist.

[56] **References Cited**

U.S. PATENT DOCUMENTS

D. 306,368	2/1990	Daugherty	D34/28
D. 327,762	7/1992	Silbersky	D34/28
4,399,572	8/1983	Johansson	D34/33
4,837,874	6/1989	Giercarz	D34/33
5,022,106	6/1991	Richards	D34/33

1 Claim, 6 Drawing Sheets

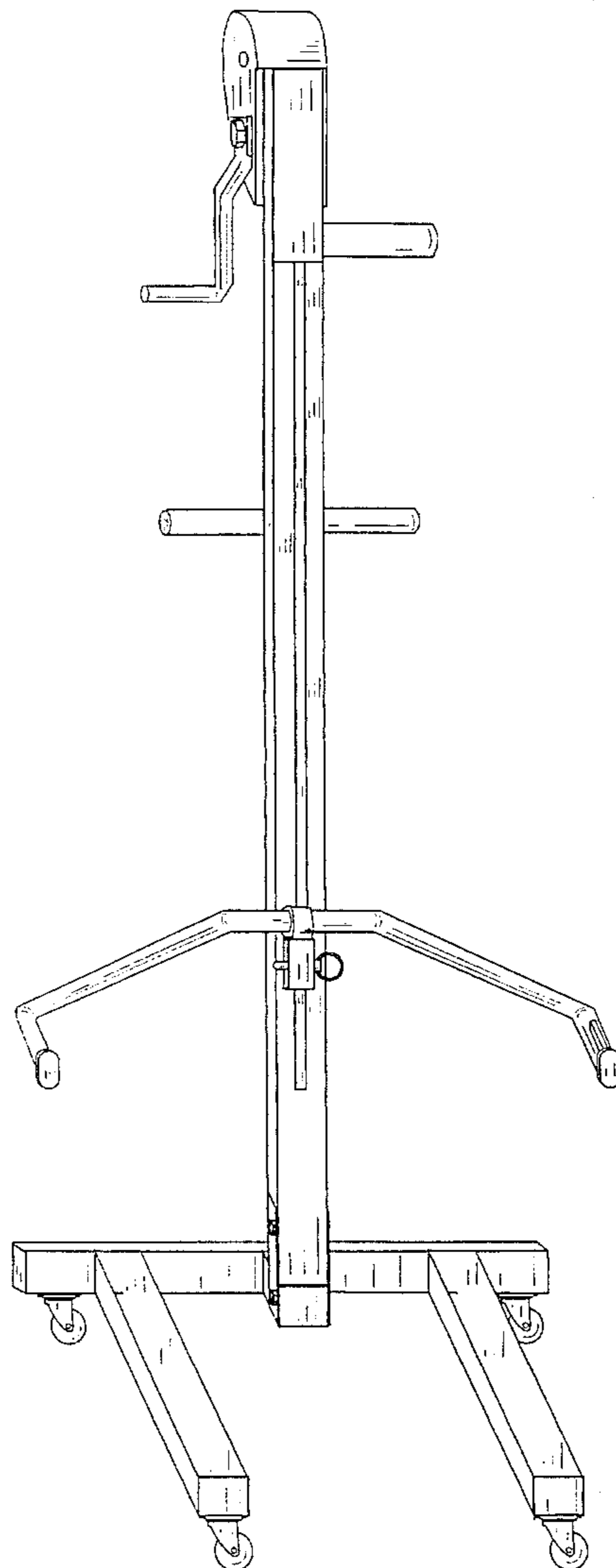


FIG. 1

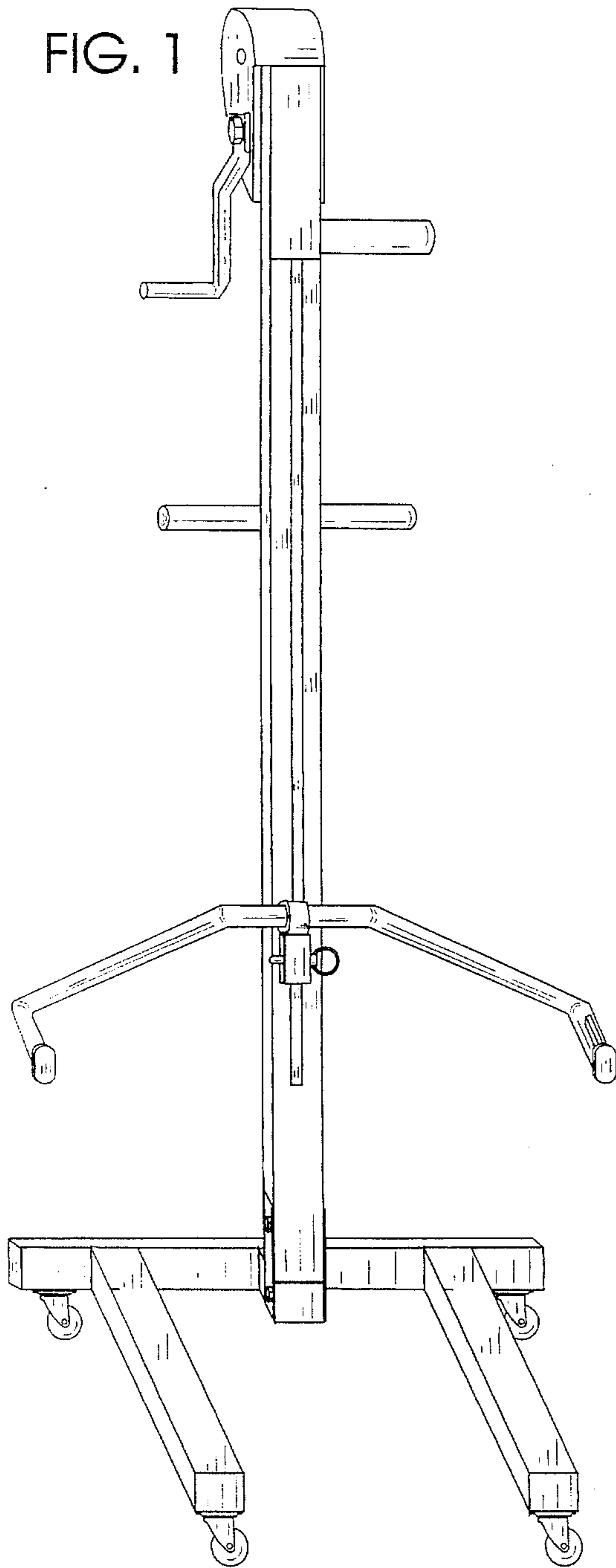


FIG. 2

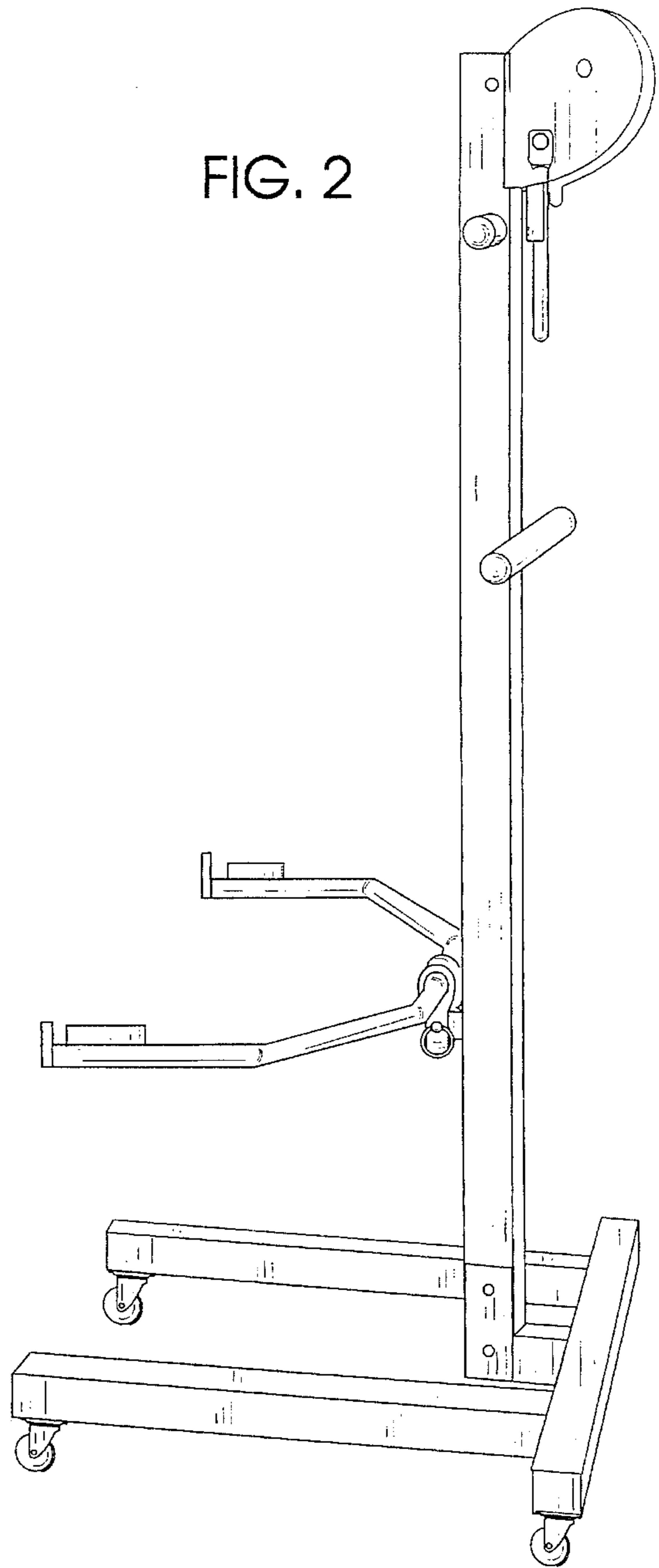


FIG. 3

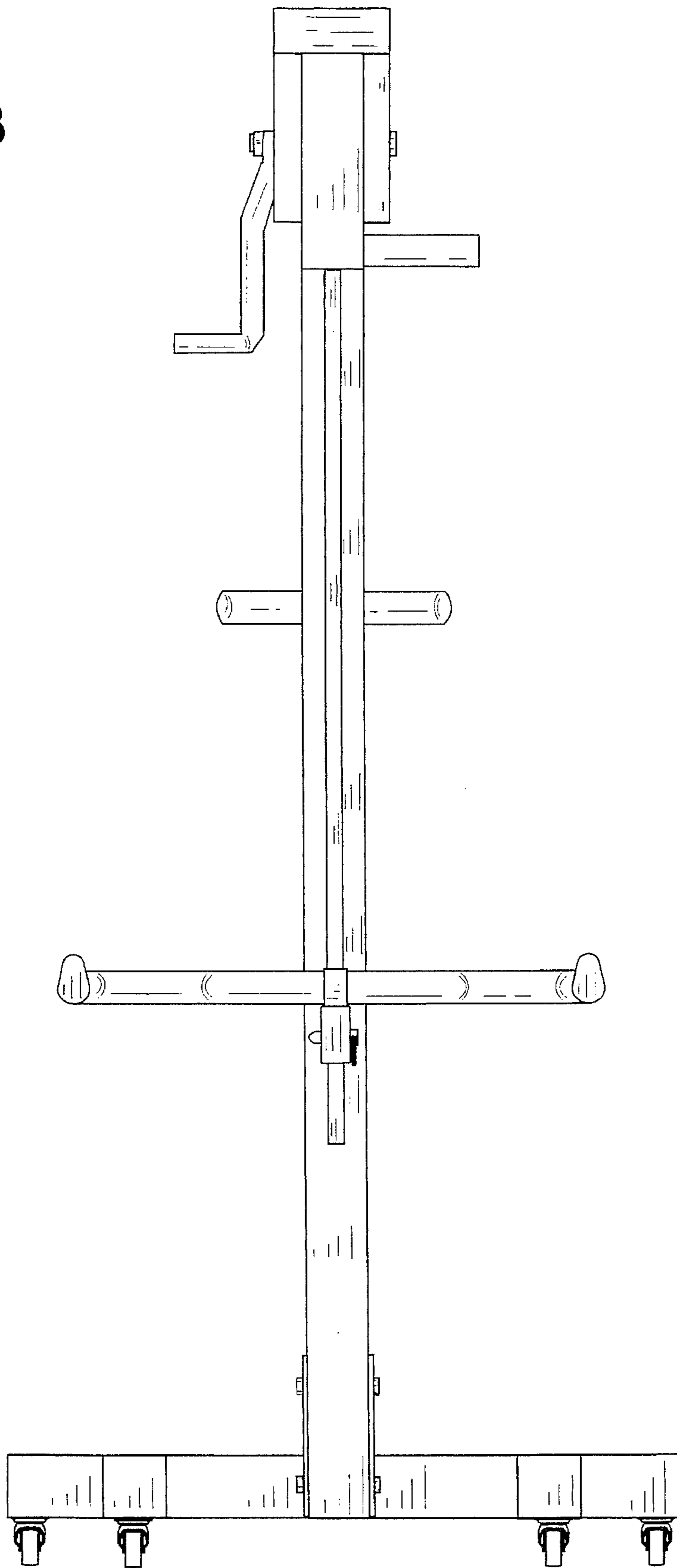
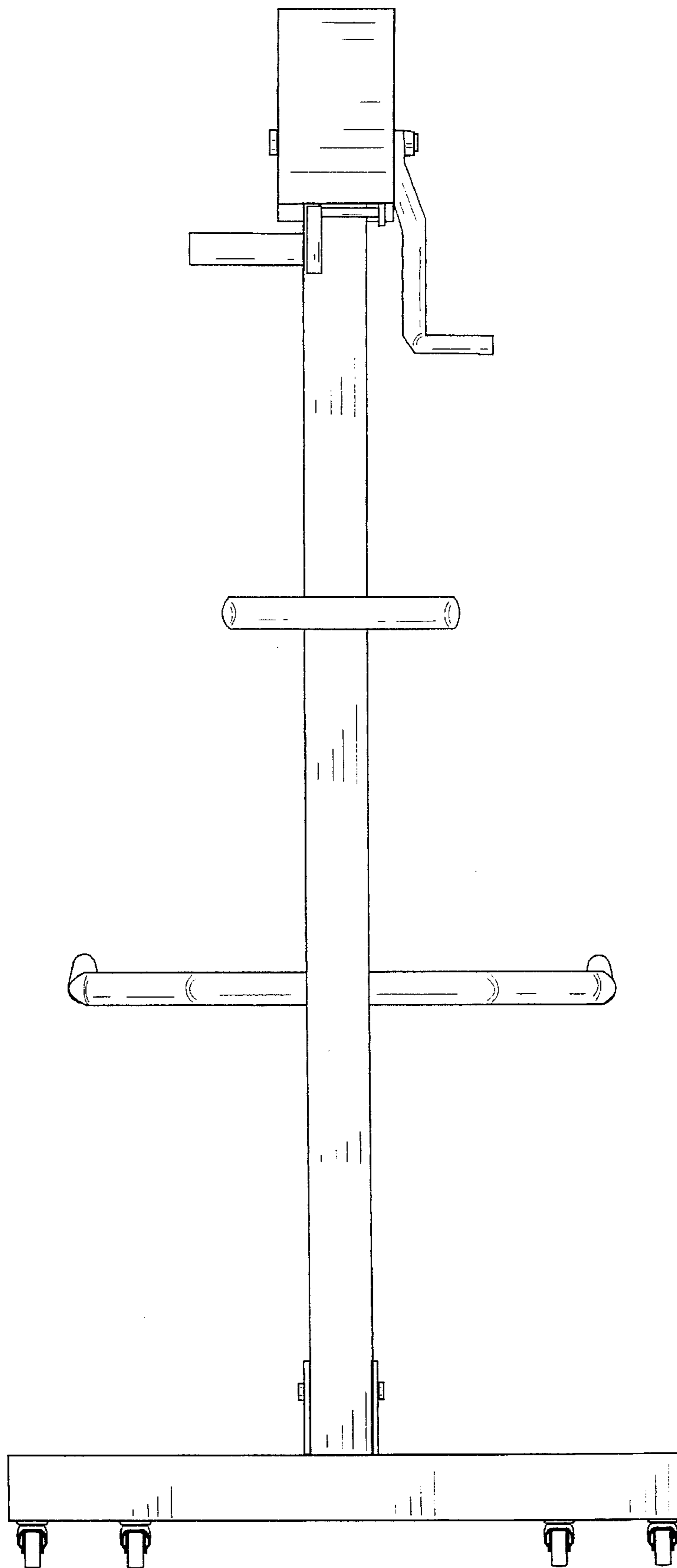


FIG. 4



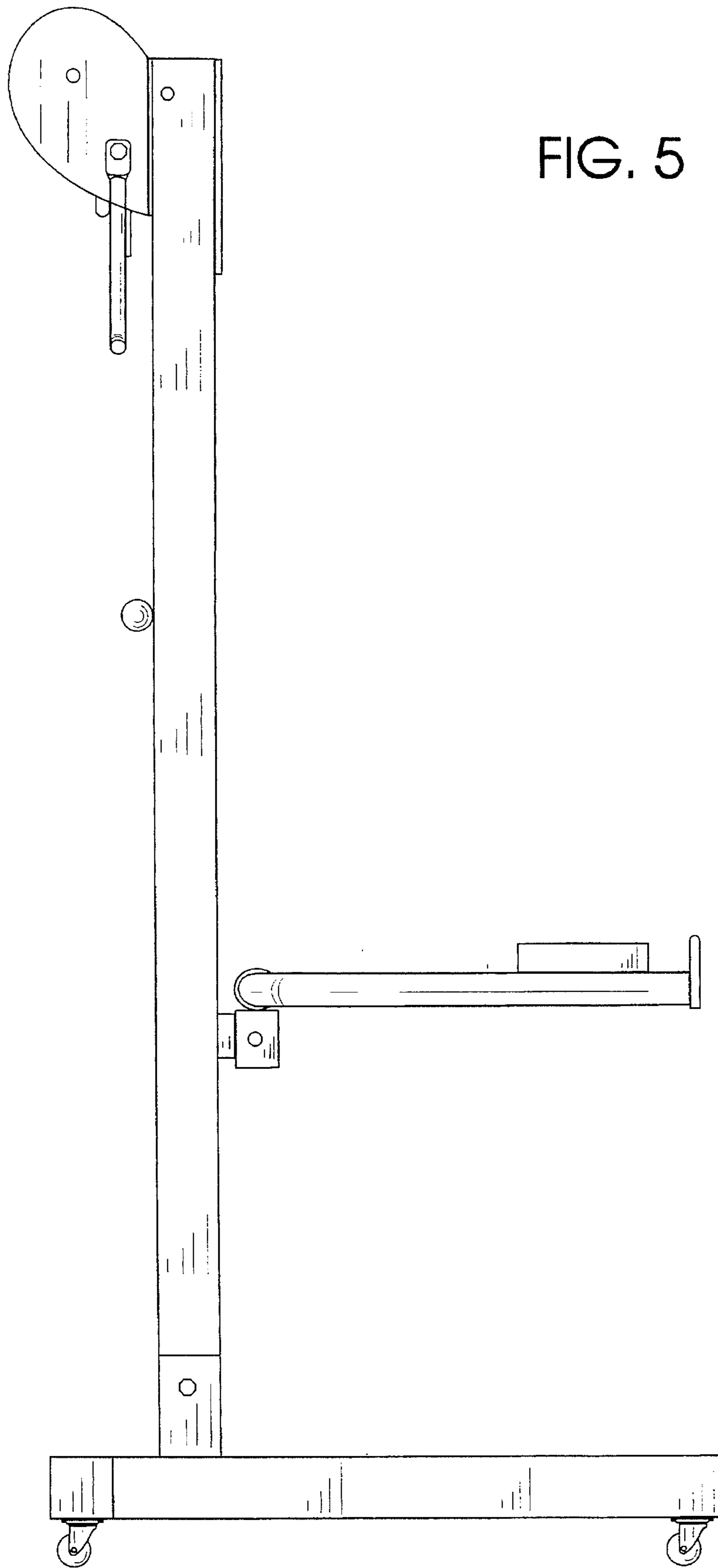


FIG. 5

FIG. 6

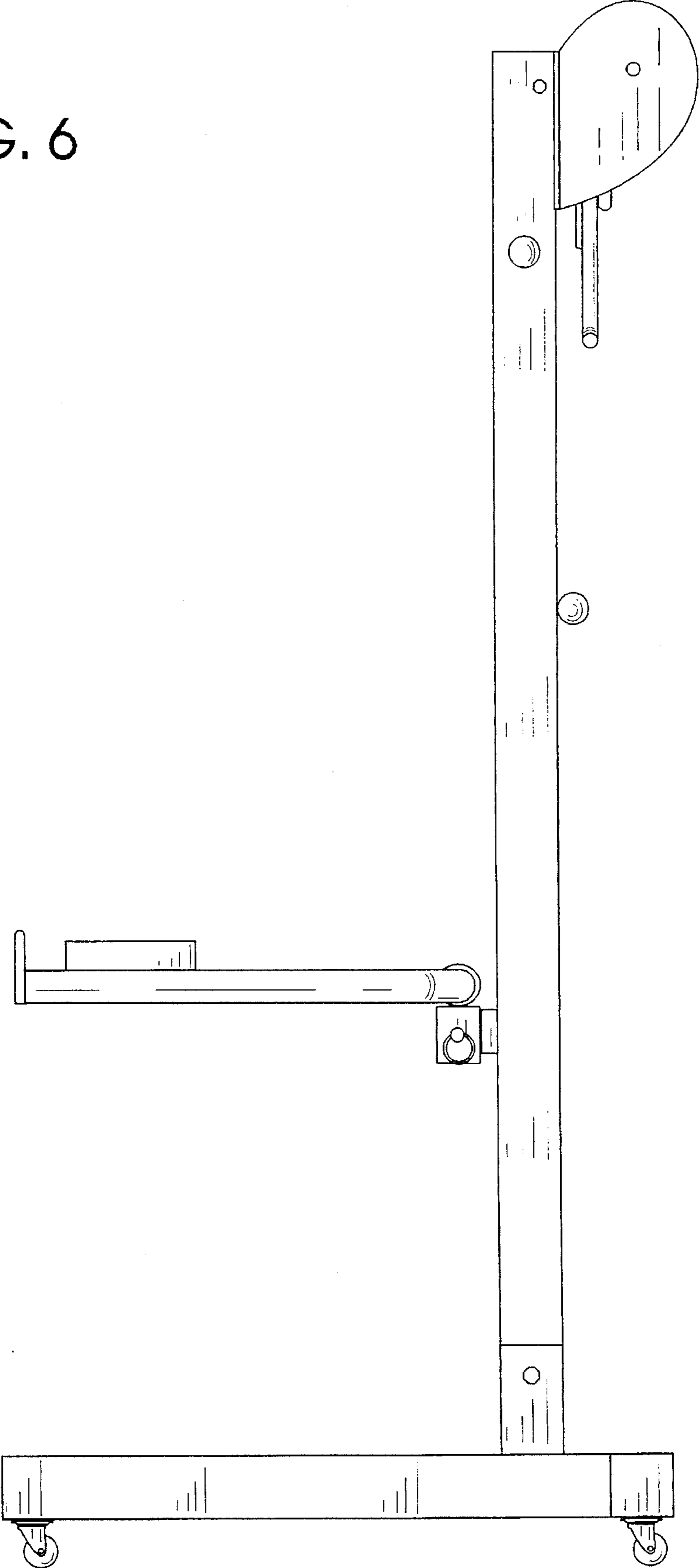


FIG. 7

