



US00D367140S

United States Patent [19] Reese

[11] Patent Number: **Des. 367,140**

[45] Date of Patent: ****Feb. 13, 1996**

[54] **ADJUSTABLE PALLET**

[76] Inventor: **Darrel Reese**, 10929 Firestone Blvd.,
Suite 187, Norwalk, Calif. 90650

[**] Term: **14 Years**

[21] Appl. No.: **38,872**

[22] Filed: **May 12, 1995**

[52] U.S. Cl. **D34/23; D34/38**

[58] Field of Search **D34/12, 23, 38;**
280/79.11, 32.5, 32.6

[56] **References Cited**

U.S. PATENT DOCUMENTS

D. 337,593	7/1993	Hewitt	D34/23
D. 353,702	12/1994	Martinez et al.	D34/23
5,108,118	4/1992	Schaevitz	280/32.6

Primary Examiner—Kay H. Chin

Attorney, Agent, or Firm—Knobbe, Martens, Olson & Bear

[57] **CLAIM**

The ornamental design for an adjustable pallet, as shown and described.

DESCRIPTION

FIG. 1 is a top plan view of the adjustable pallet design of the present invention;

FIG. 2 is a bottom plan view thereof;

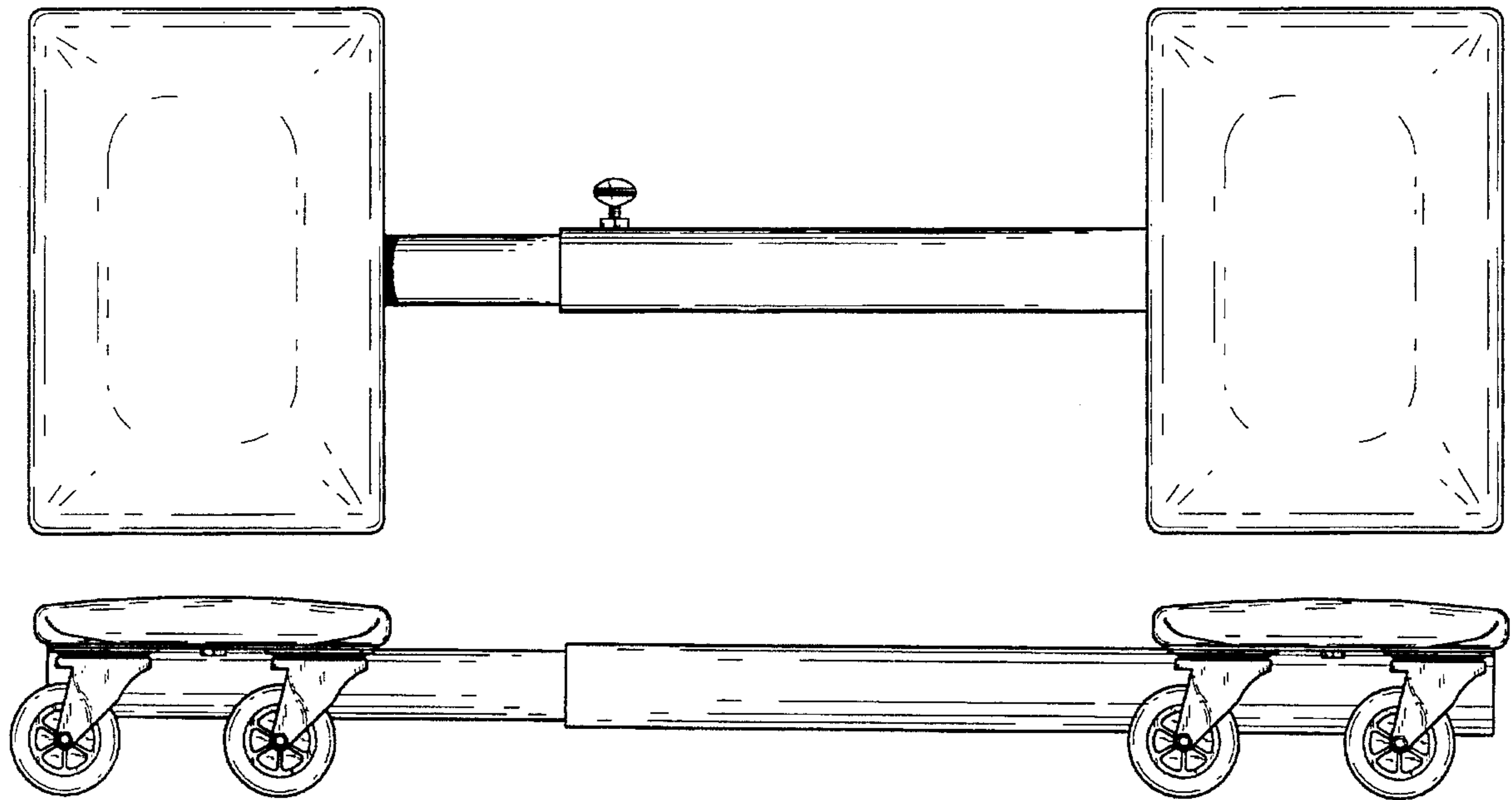
FIG. 3 is a front elevational view thereof;

FIG. 4 is a rear elevational view thereof;

FIG. 5 is a left side elevational view thereof; and,

FIG. 6 is a right side elevational view thereof.

1 Claim, 3 Drawing Sheets



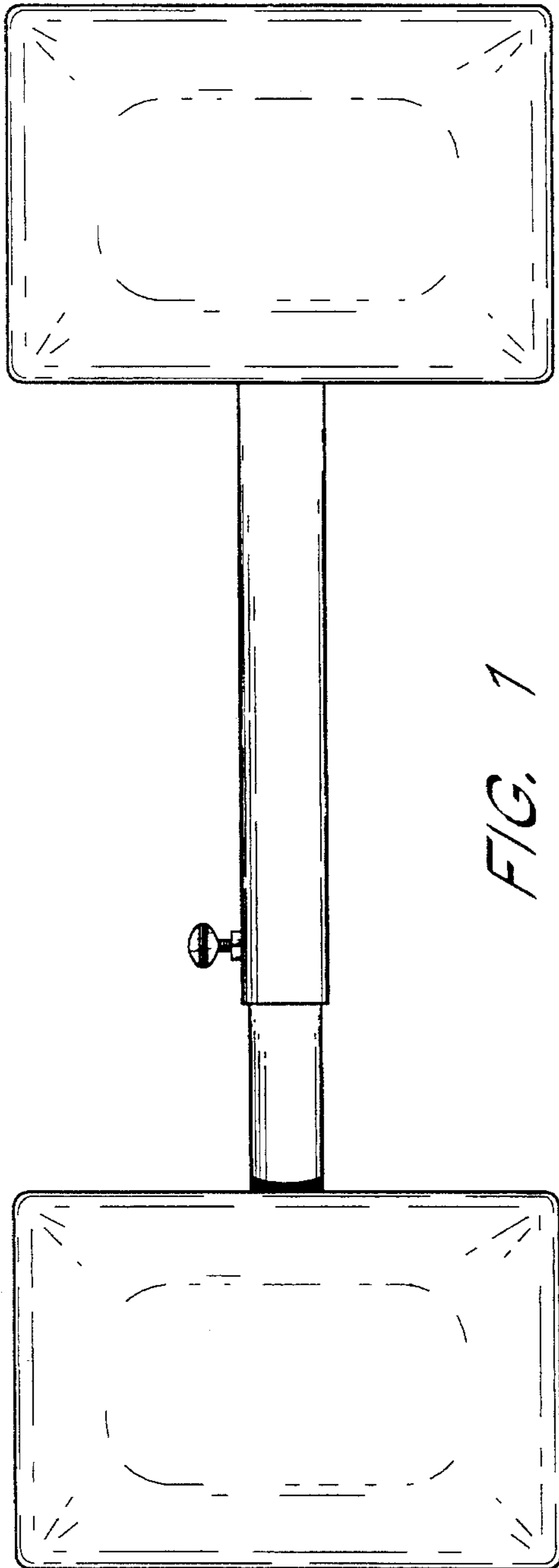


FIG. 1

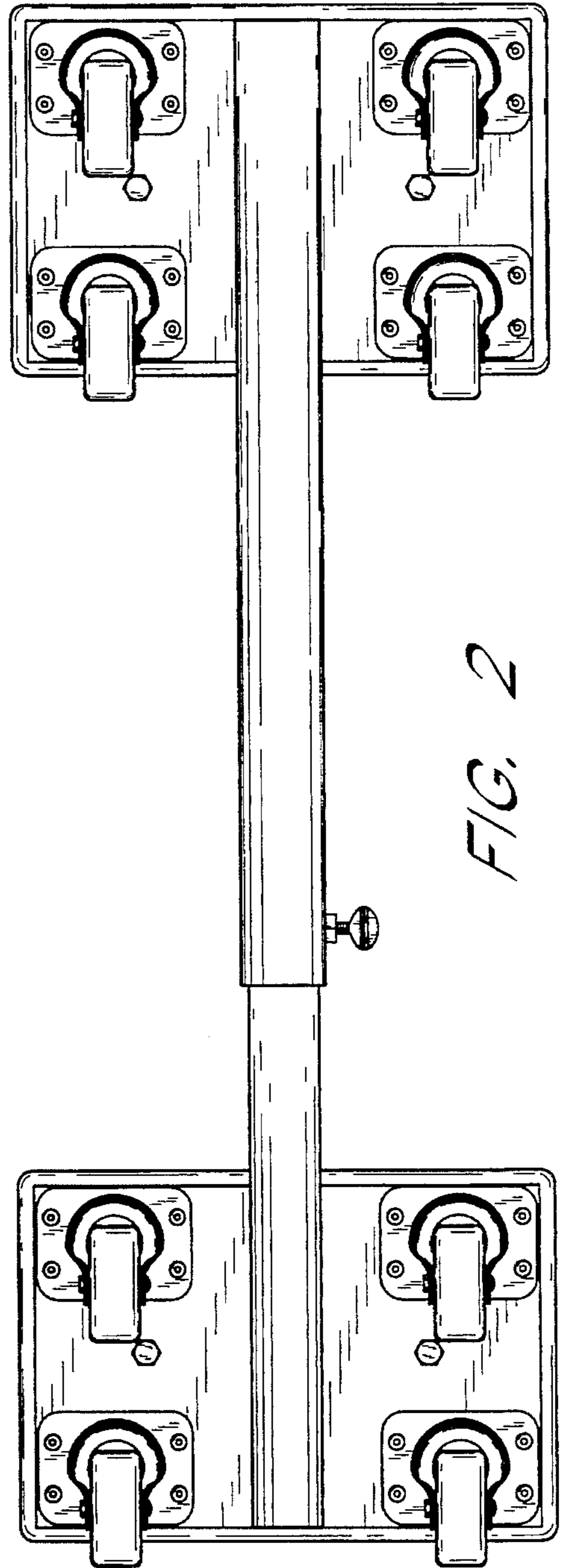


FIG. 2

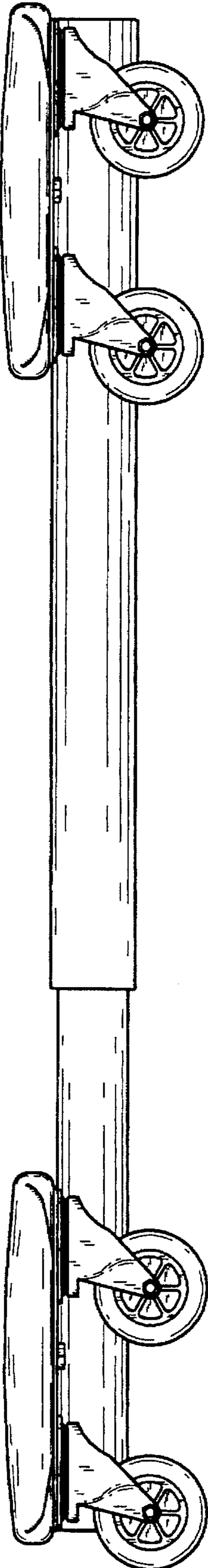


FIG. 3

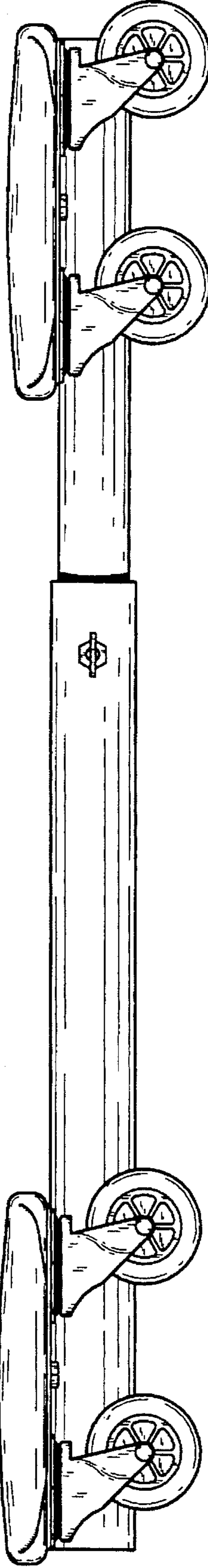


FIG. 4

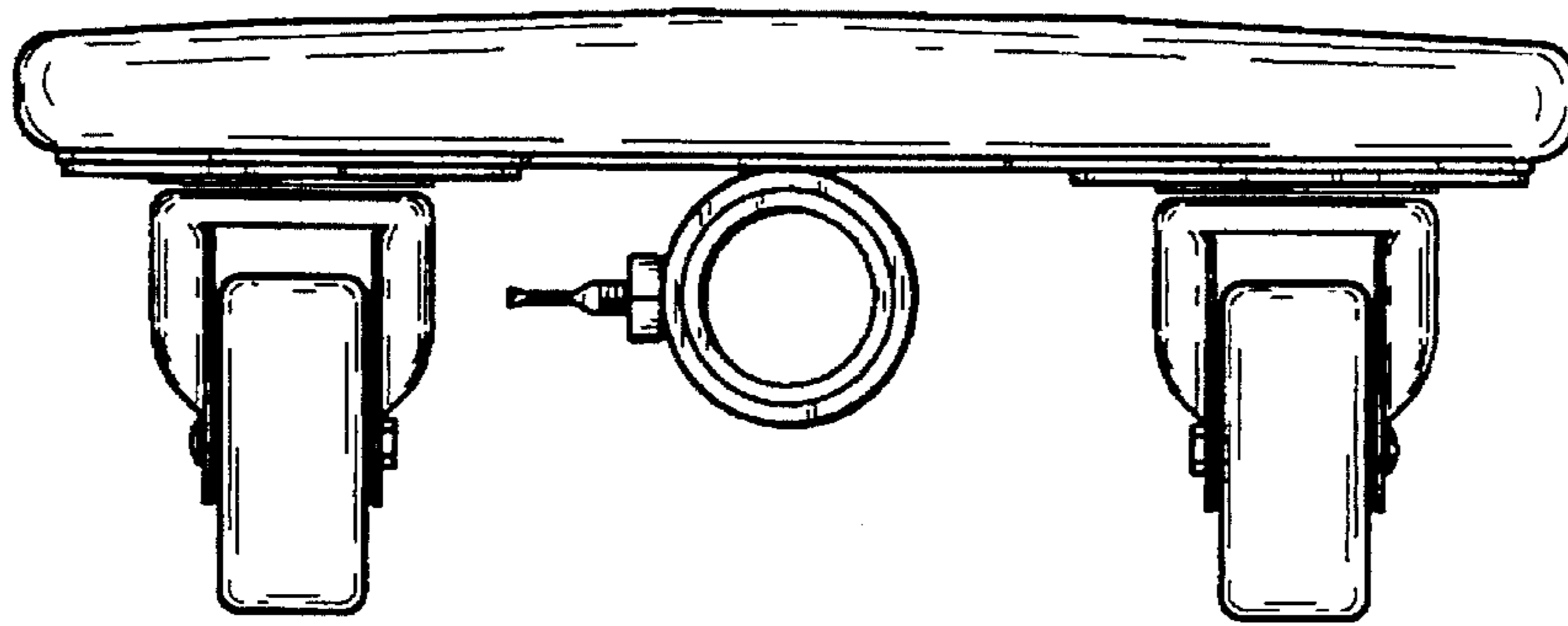


FIG. 5

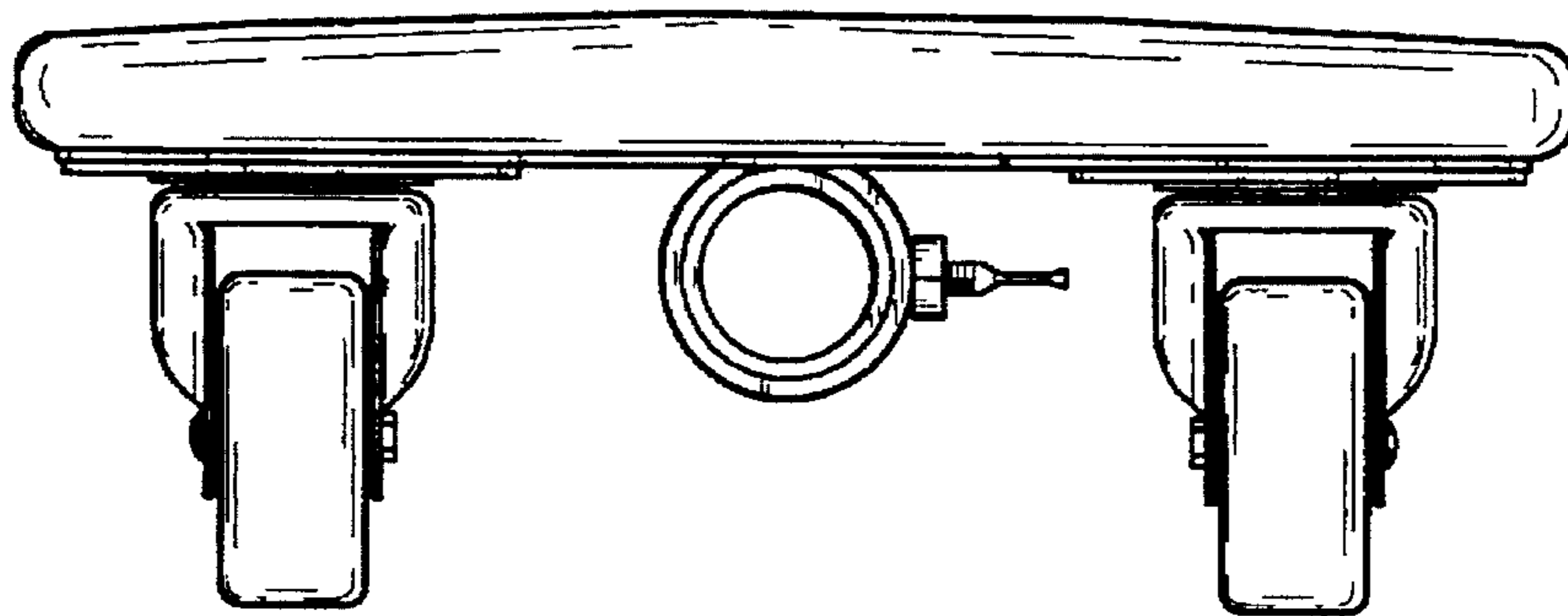


FIG. 6