



US00D367139S

United States Patent [19]

Brown

[11] Patent Number: **Des. 367,139**

[45] Date of Patent: ****Feb. 13, 1996**

[54] **SUPPORT FRAME FOR BAGS WITH HANDLES**

[76] Inventor: **David E. Brown**, 279 Terrace Trail W., Lake Quivira, Kans. 66106

[**] Term: **14 Years**

[21] Appl. No.: **20,803**

[22] Filed: **Apr. 1, 1994**

[52] U.S. Cl. **D34/5**

[58] Field of Search D34/1, 6, 5; 248/95, 248/99, 100, 101, 97, 94

[56] References Cited

U.S. PATENT DOCUMENTS

4,332,361	6/1982	McClellan	248/95
4,579,307	4/1986	Malik	248/97
4,695,020	9/1987	Collins	D34/6
4,860,982	8/1989	Berlant	D34/5
4,881,706	11/1989	Sedlik	248/100
4,957,252	9/1990	Watkins	D34/5

5,263,672 11/1993 He 248/99

Primary Examiner—A. Hugo Word
Assistant Examiner—Robin V. Taylor
Attorney, Agent, or Firm—Litman, McMahon and Brown

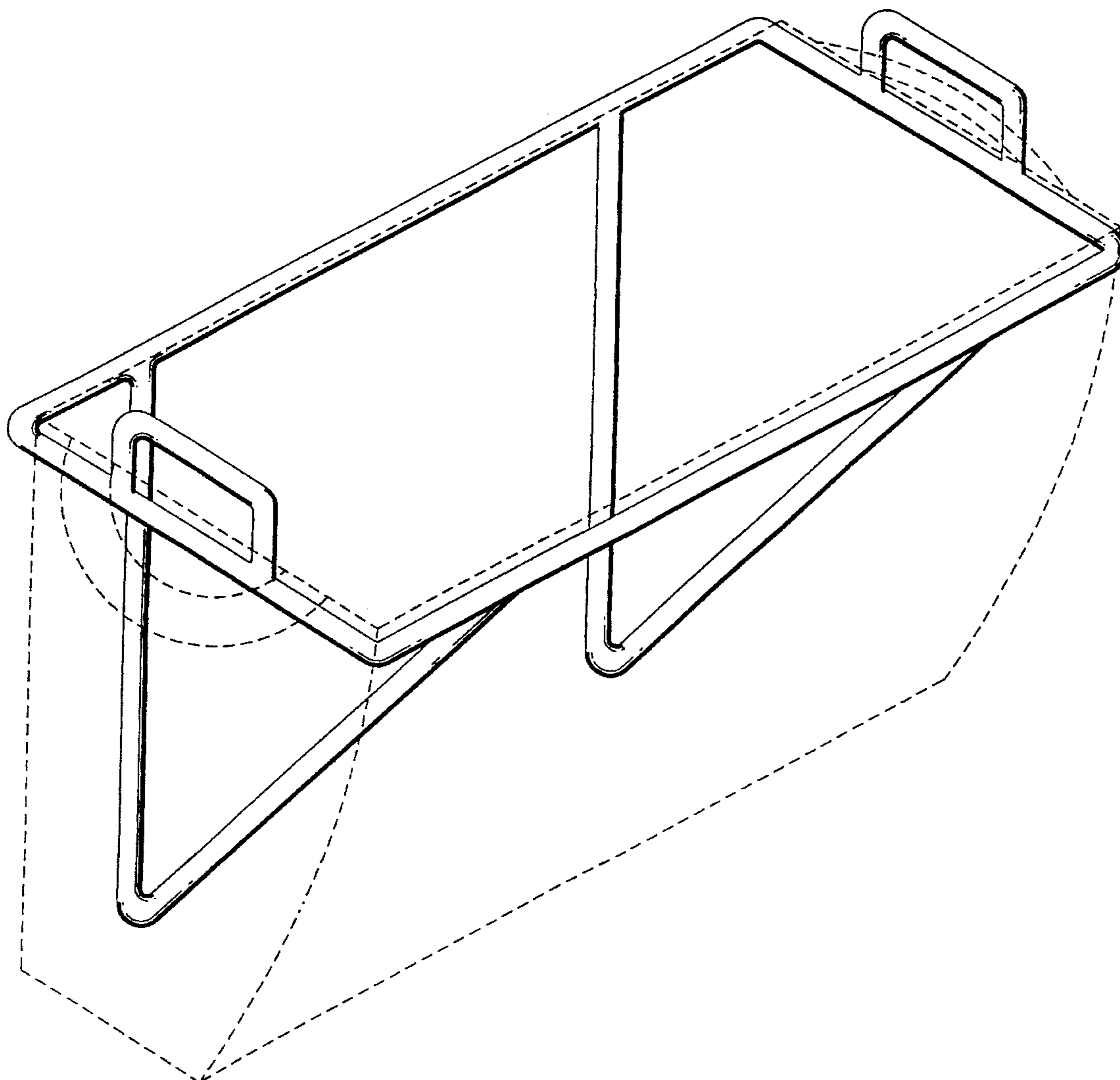
[57] CLAIM

The ornamental design for a support frame for bags with handles, as shown and described.

DESCRIPTION

FIG. 1 is a top, front and left side perspective view of a support frame for bags with handles showing my new design, the broken lines shown for illustrative purposes only and form no part of the claimed design; FIG. 2 is a front elevational view thereof, the rear elevation being a mirror image thereof; FIG. 3 is a left side elevational view thereof, the right side being a mirror image thereof; FIG. 4 is a top plan view thereof; and, FIG. 5 is a bottom plan view thereof.

1 Claim, 3 Drawing Sheets



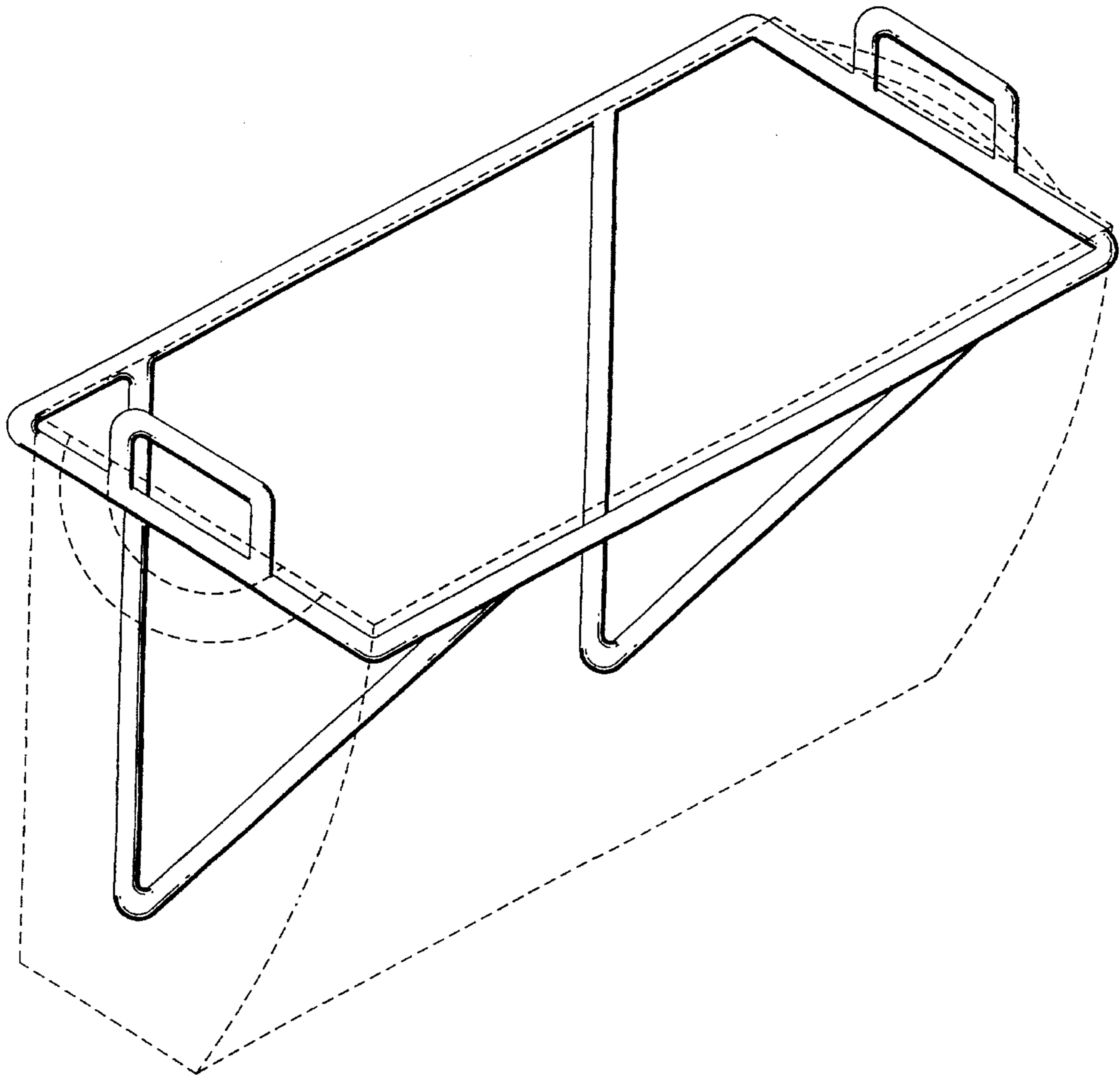


FIG. 1

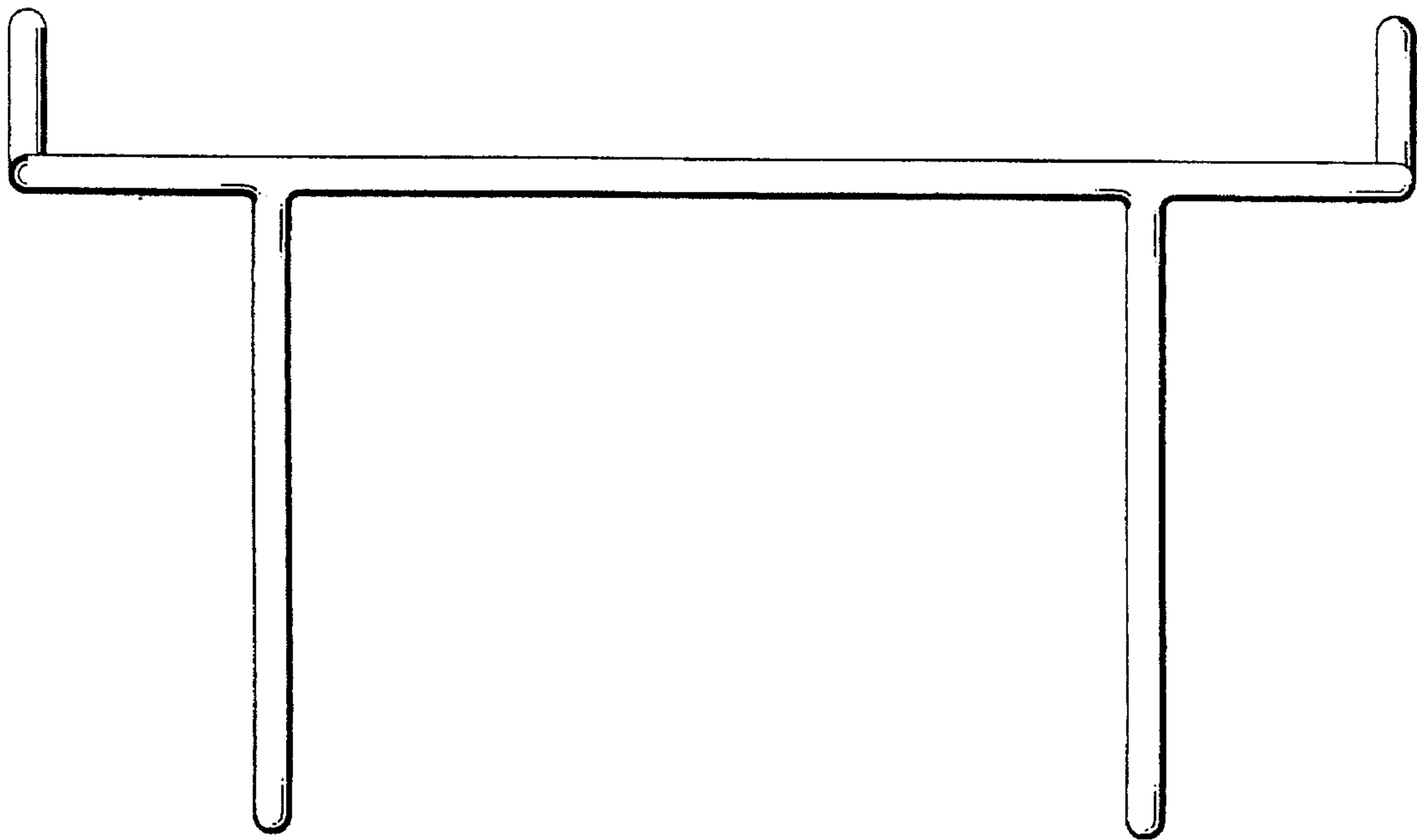


FIG. 2

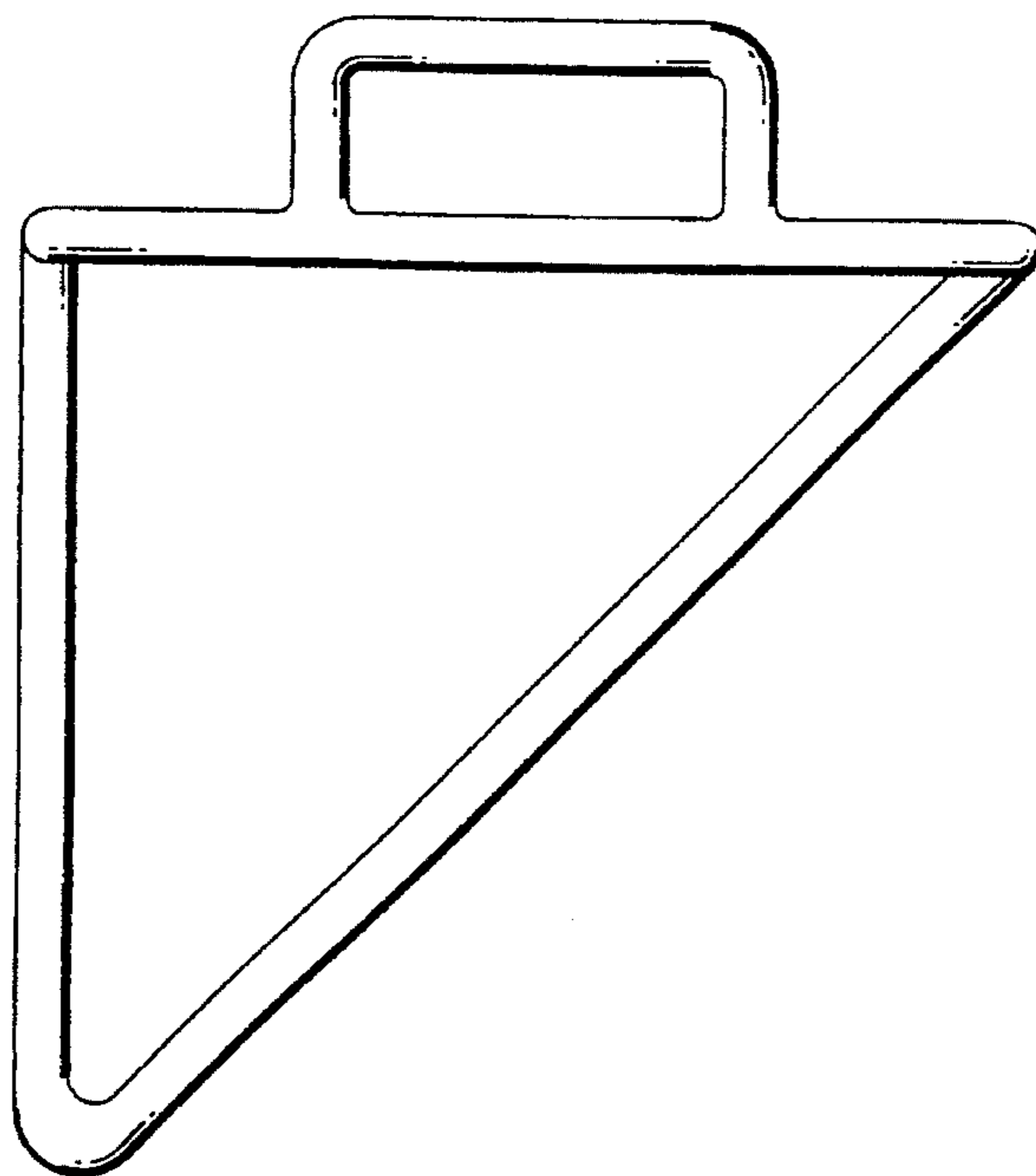


FIG. 3

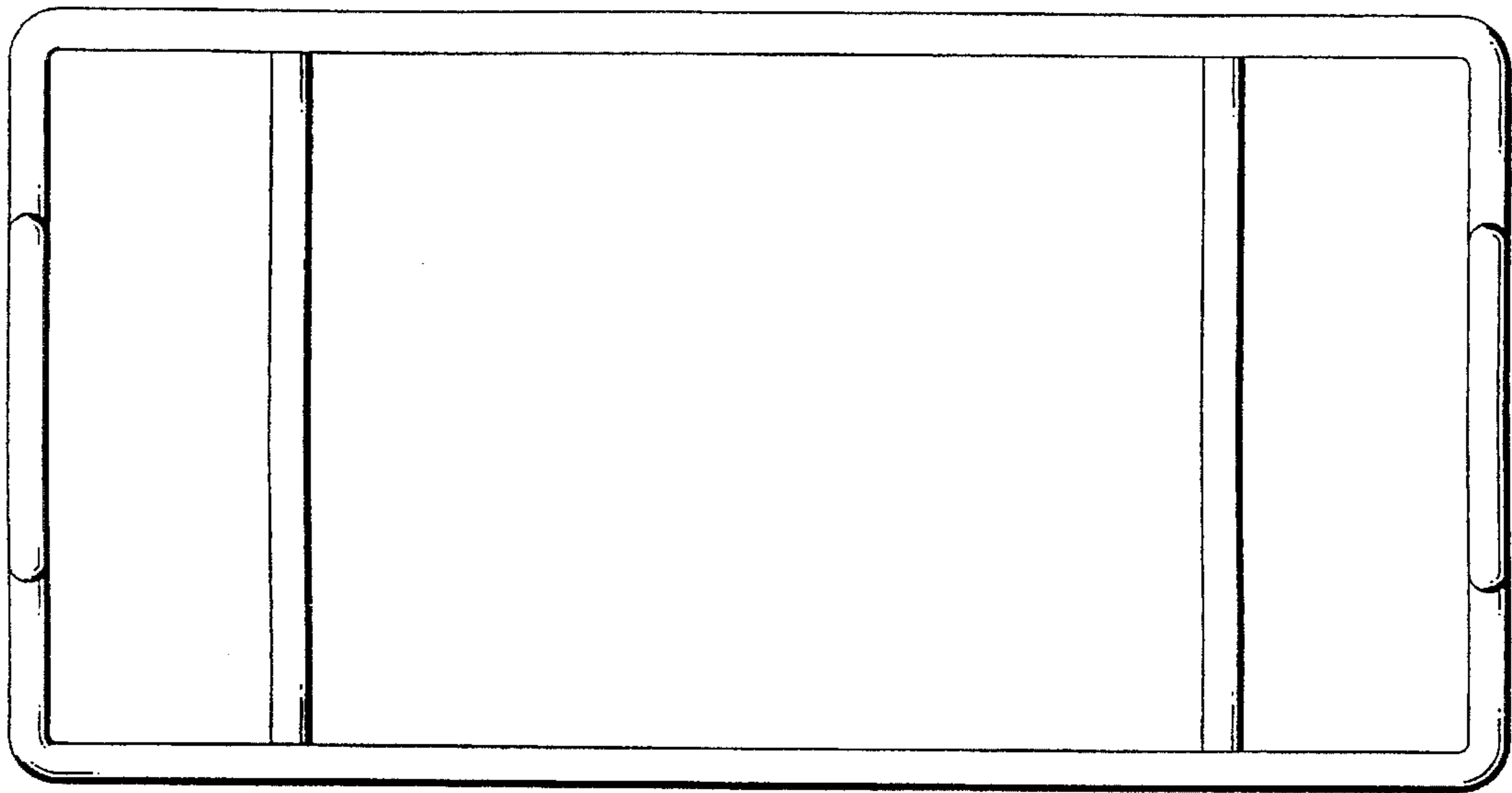


FIG. 4

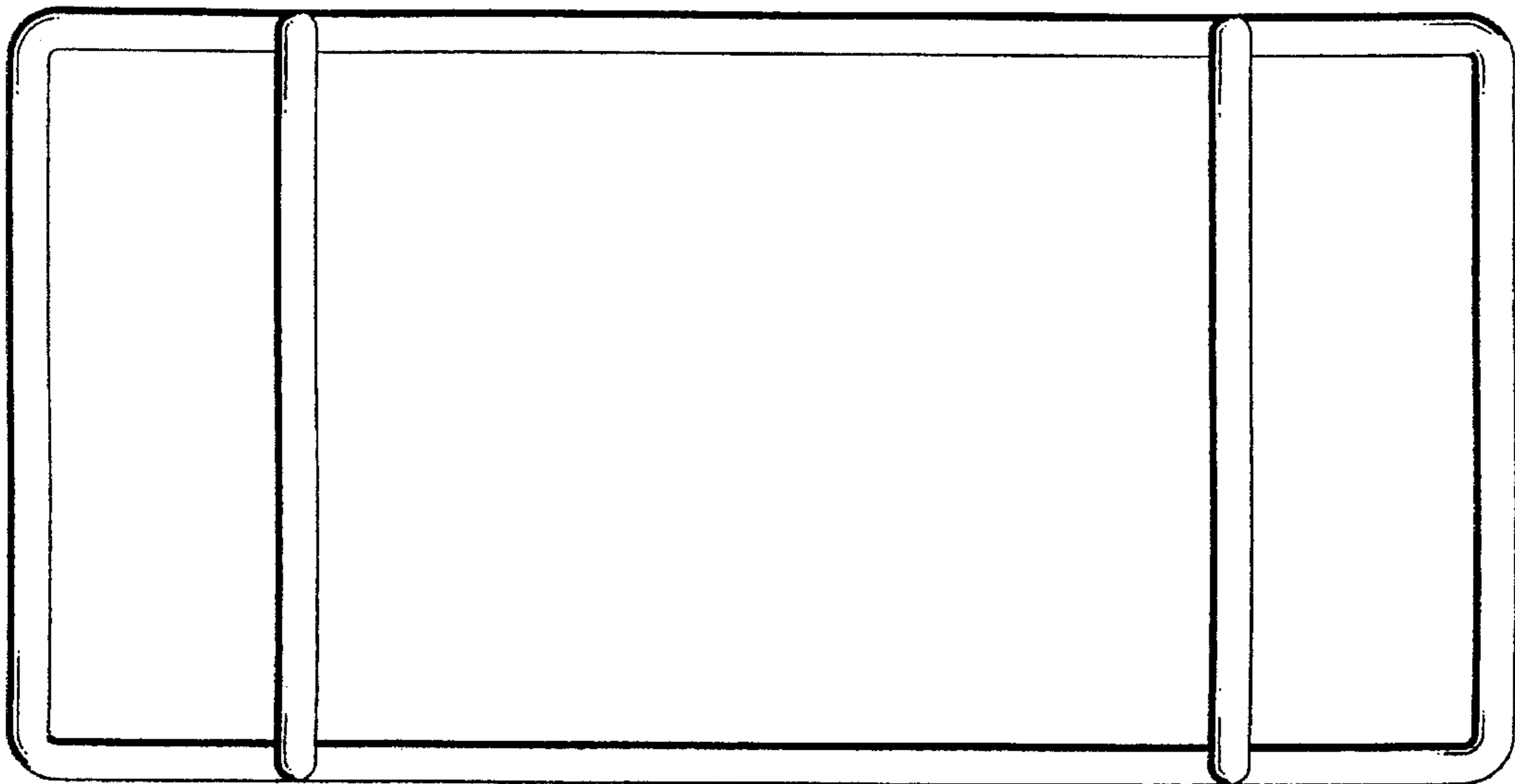


FIG. 5