



US00D367134S

**United States Patent** [19]  
**Bescherer**

[11] **Patent Number: Des. 367,134**

[45] **Date of Patent: \*\*Feb. 13, 1996**

[54] **BIRD FEEDER** 5,215,039 6/1993 Bescherer ..... 119/57.8

[75] Inventor: **Robert E. Bescherer**, Bristol, R.I.

[73] Assignee: **Aspects, Inc.**, Warren, R.I.

[\*\*] Term: **14 Years**

[21] Appl. No.: **30,815**

[22] Filed: **Nov. 9, 1994**

[52] U.S. Cl. .... **D30/127**

[58] **Field of Search** ..... D30/121, 123-128,  
D30/132, 133; 119/57.91, 23, 57.8, 522,  
51.01, 57.9, 51.04, 77, 72.5, 52.3

[56] **References Cited**

**U.S. PATENT DOCUMENTS**

D. 231,369	4/1974	Kilham .....	D30/127
D. 262,917	2/1982	Kilham .....	D30/127
D. 359,821	6/1995	Liethen .....	D30/127
3,568,641	3/1971	Kilham .....	119/57.8
4,188,913	2/1980	Earl et al. ....	119/57.9
4,829,934	5/1989	Blasbalg .	
4,996,947	3/1991	Petrides .....	119/57.9
5,123,380	6/1992	Edwards .....	119/57.8

**OTHER PUBLICATIONS**

Clymer's of Bucks County Catalog; #99 The Supreme Sunflower Seed Feeder.  
Droll Yankees; 1975; Bird Feeder #A.6.  
duncraft for the birds catalog; No. 770 Thistle & Sunflower Seeds Tube Feeders; Bird Catalogs Box.

*Primary Examiner*—Cathy Anne MacCormac  
*Attorney, Agent, or Firm*—Barlow & Barlow, Ltd.

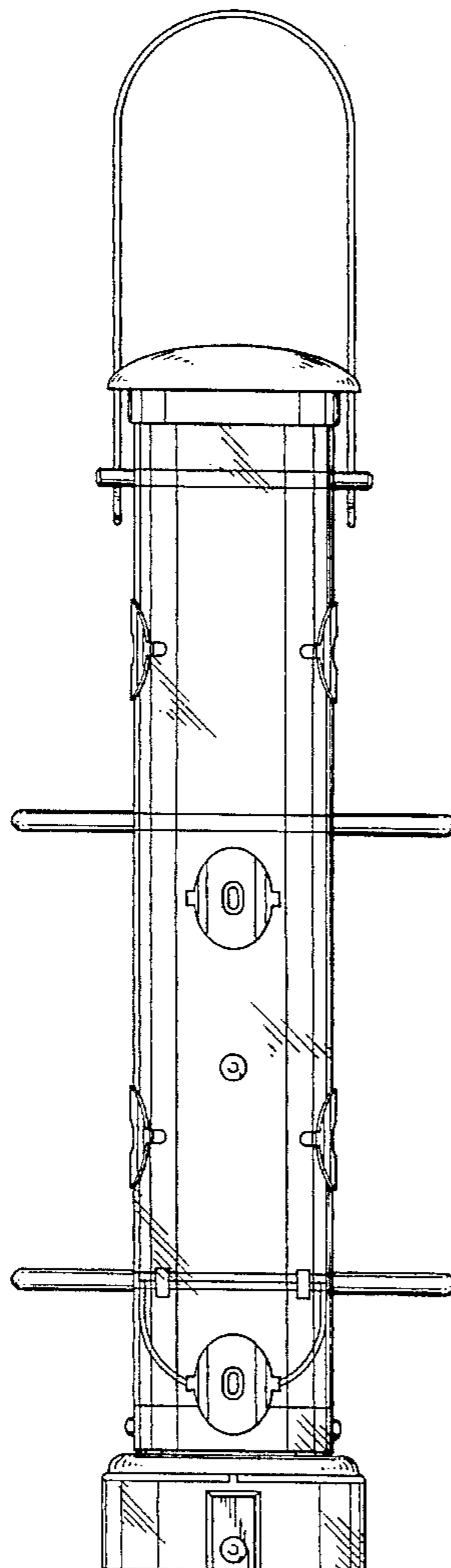
[57] **CLAIM**

The ornamental design for a bird feeder, as shown.

**DESCRIPTION**

FIG. 1 is a front elevational view of a bird feeder showing my new design, the rear being a mirror image of the front shown;  
FIG. 2 is a right side elevational view thereof; the left side being a mirror image of the right side shown;  
FIG. 3 is a top plan view thereof; and,  
FIG. 4 is a bottom view thereof.

**1 Claim, 2 Drawing Sheets**



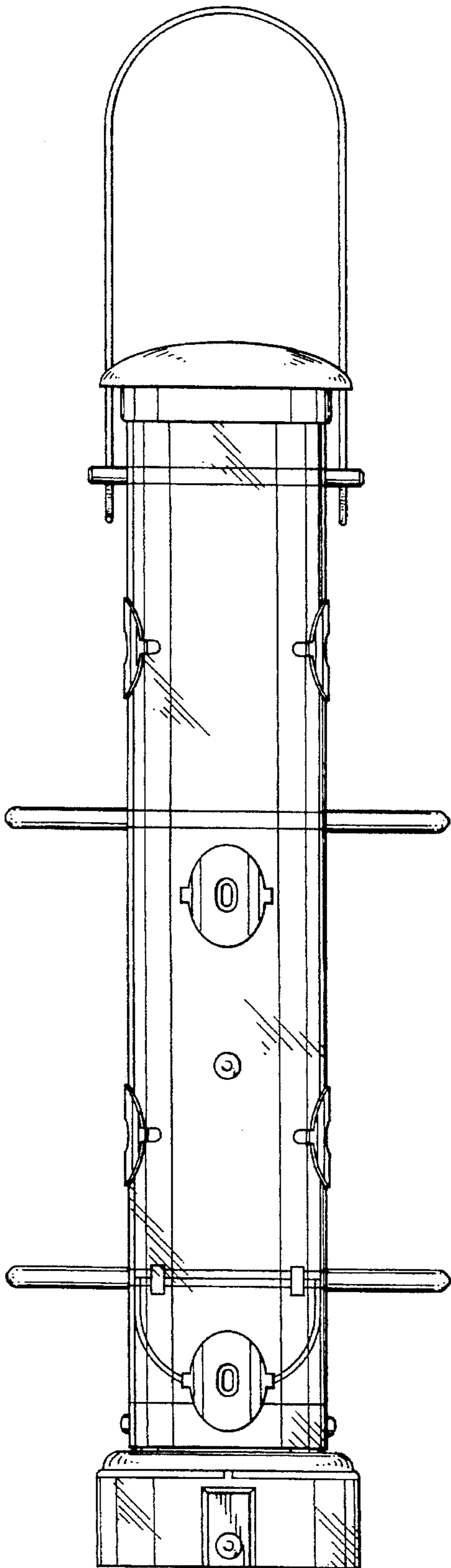


FIG. 1

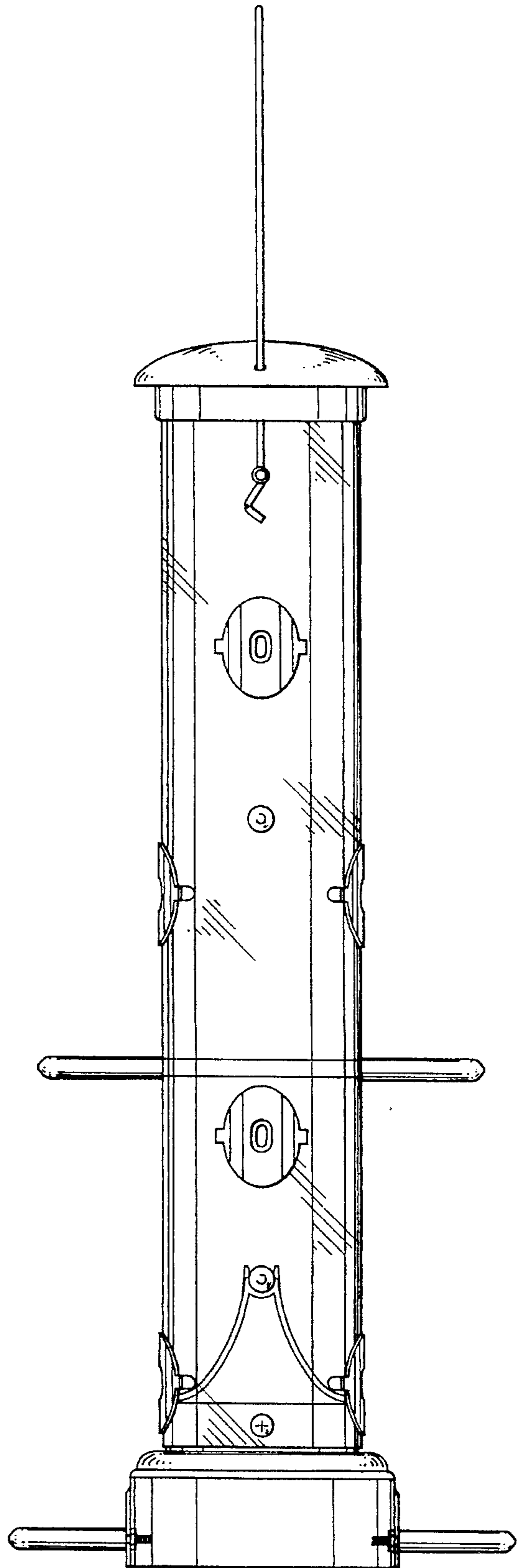


FIG. 2

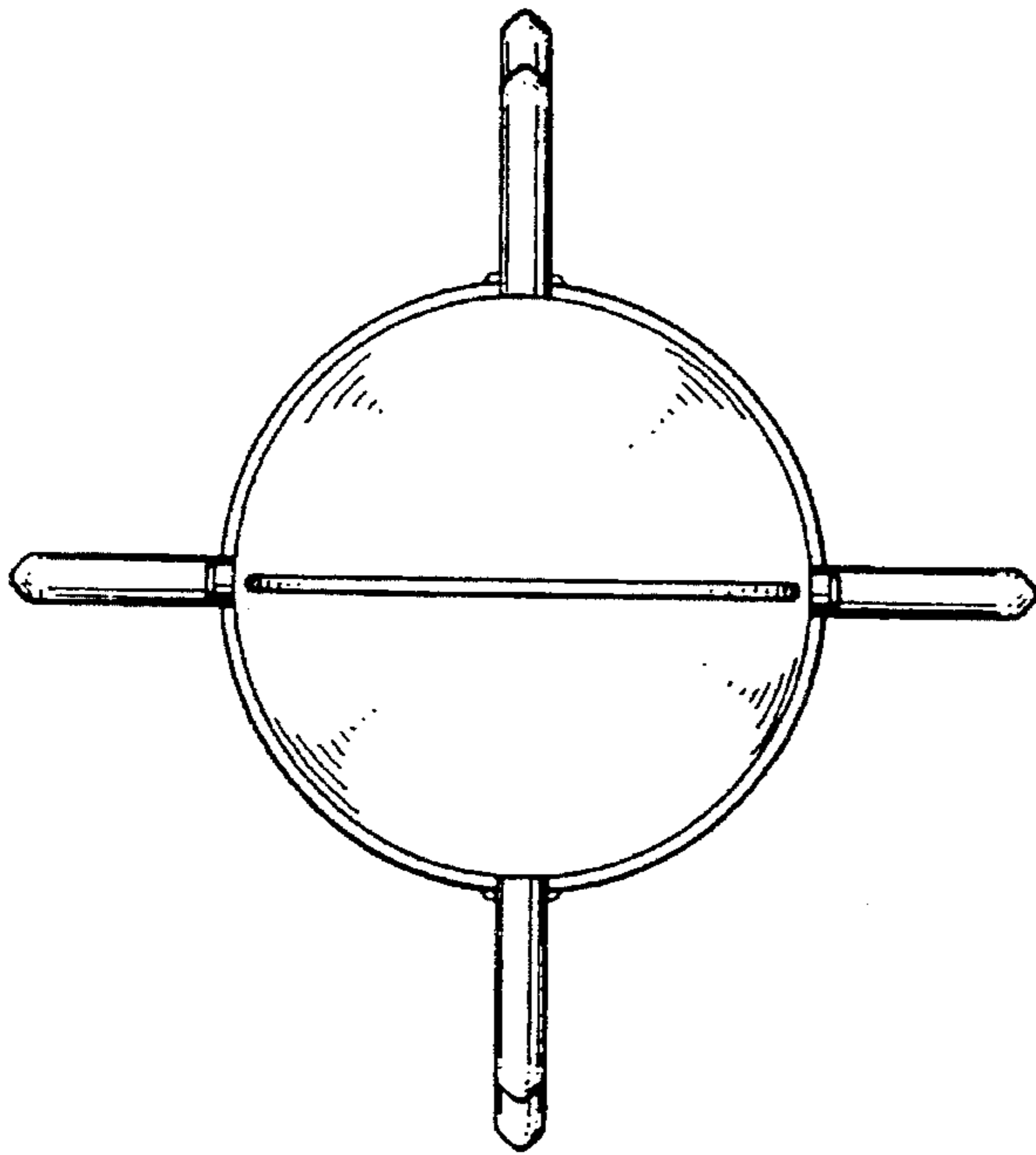


FIG. 3

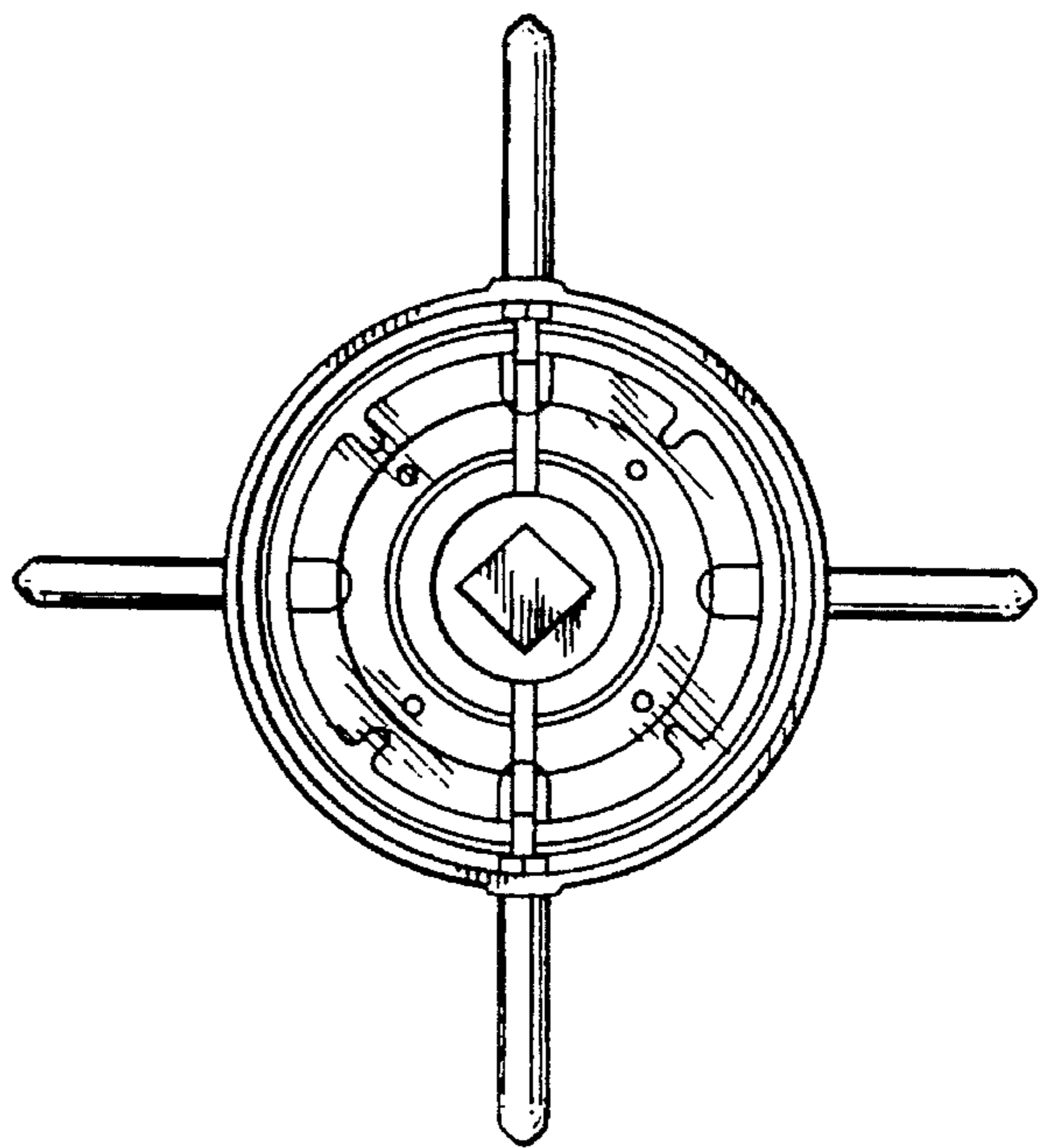


FIG. 4