



US00D367130S

United States Patent [19]

Hsu

[11] Patent Number: **Des. 367,130**

[45] Date of Patent: ****Feb. 13, 1996**

[54] **TEETH CLEANER**

[75] Inventor: **Walter W. Hsu**, Yinlin Hsien, Taiwan

[73] Assignee: **Welter's Co., Ltd.**, Yinlin Hsien, Taiwan

[**] Term: **14 Years**

[21] Appl. No.: **28,210**

[22] Filed: **Sep. 9, 1994**

[52] U.S. Cl. **D28/64**

[58] Field of Search D28/64; 132/321-329; D7/300.2; D24/176-182

3,896,824 7/1975 Thornton 132/321
 4,875,496 10/1989 Prabhudass 132/329
 4,911,187 3/1990 Castillo 132/329 X
 5,063,948 11/1991 Lloyd 132/321

Primary Examiner—M. H. Tung
Attorney, Agent, or Firm—Browdy and Neimark

[57] CLAIM

The ornamental design for teeth cleaner, as shown and described.

DESCRIPTION

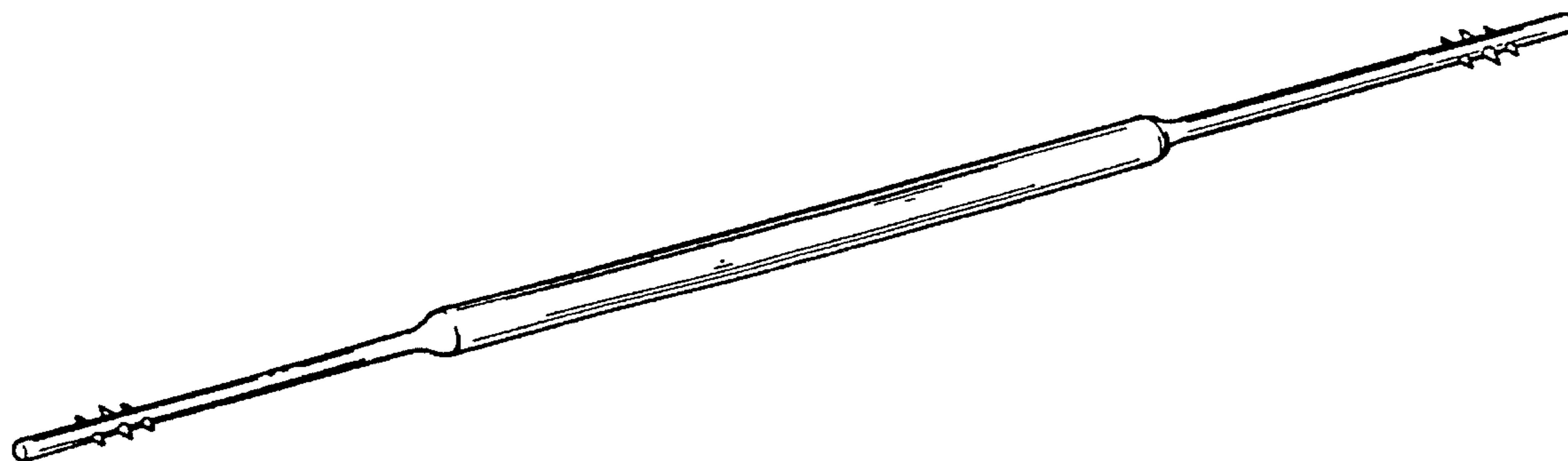
FIG. 1 is a perspective view of a teeth cleaner of my new design;
 FIG. 2 is a front view thereof, the rear view is identical;
 FIG. 3 is a left view thereof, the right side is identical; and,
 FIG. 4 is a top view thereof, the bottom view is identical.

[56] References Cited

U.S. PATENT DOCUMENTS

D. 258,318 2/1981 Bengtsson D28/64
 D. 355,278 2/1995 Dumont D28/64

1 Claim, 1 Drawing Sheet



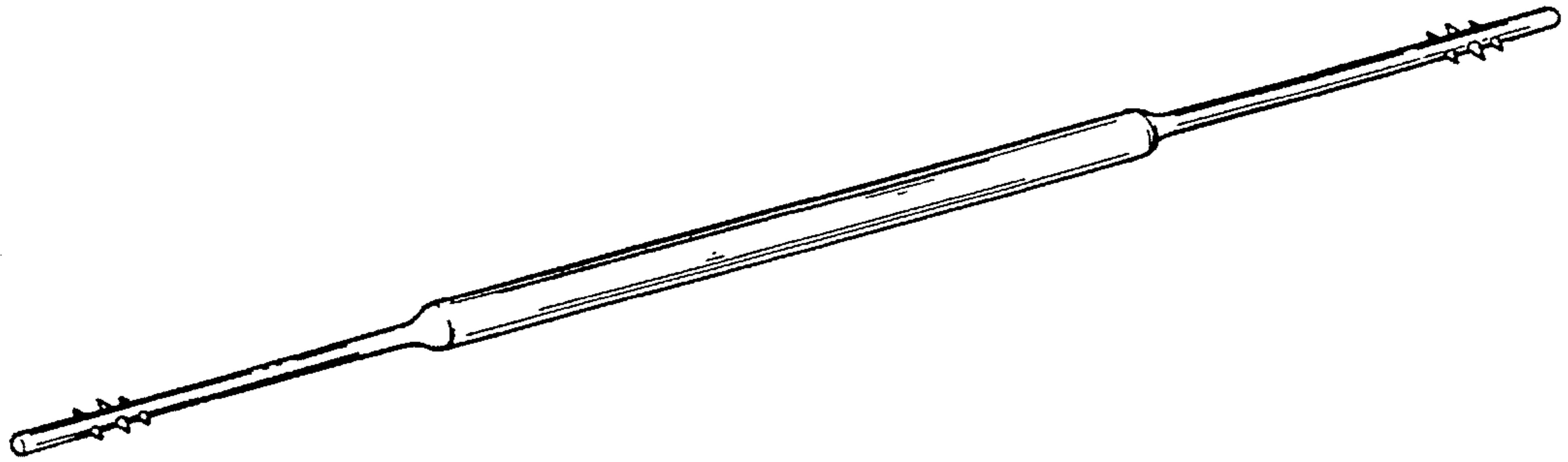


FIG. 1

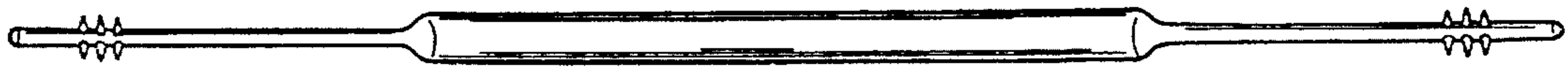


FIG. 2



FIG. 3



FIG. 4