



US00D367128S

United States Patent [19]

[11] Patent Number: **Des. 367,128**

Rizzuto

[45] Date of Patent: ****Feb. 13, 1996**

[54] **HAIR DRYER**

[75] Inventor: **Leandro P. Rizzuto**, Greenwich, Conn.

[73] Assignee: **Conair Corporation**, Stamford, Conn.

[**] Term: **14 Years**

[21] Appl. No.: **27,141**

[22] Filed: **Aug. 15, 1994**

[52] U.S. Cl. **D28/13**

[58] Field of Search D28/13-18; 132/271,
132/272; 34/96-101; 392/384, 385

[56] **References Cited**

U.S. PATENT DOCUMENTS

D. 259,665	6/1981	Cousins	D28/13
D. 272,194	1/1984	Suzuki	D28/16
D. 274,153	6/1984	Nagelkerke	D28/13
D. 277,417	1/1985	Wistrand	D28/13
D. 325,794	4/1992	Lerner	D28/13
D. 343,698	1/1994	Sharples	D28/13
D. 350,414	9/1994	Rizzuto, Jr.	D28/13

OTHER PUBLICATIONS

W. Bell 1987 cat., p. 184: item #3 at top of page.

Primary Examiner—Ted Shooman

Assistant Examiner—C. Tuttle

Attorney, Agent, or Firm—Haynes N. Johnson

[57] **CLAIM**

The ornamental design for a hair dryer, as shown and described.

DESCRIPTION

FIG. 1 is a perspective view of a hair dryer, showing my new design;

FIG. 2 is a right side elevation view thereof;

FIG. 3 is a front elevation view thereof;

FIG. 4 is a left side elevation view thereof;

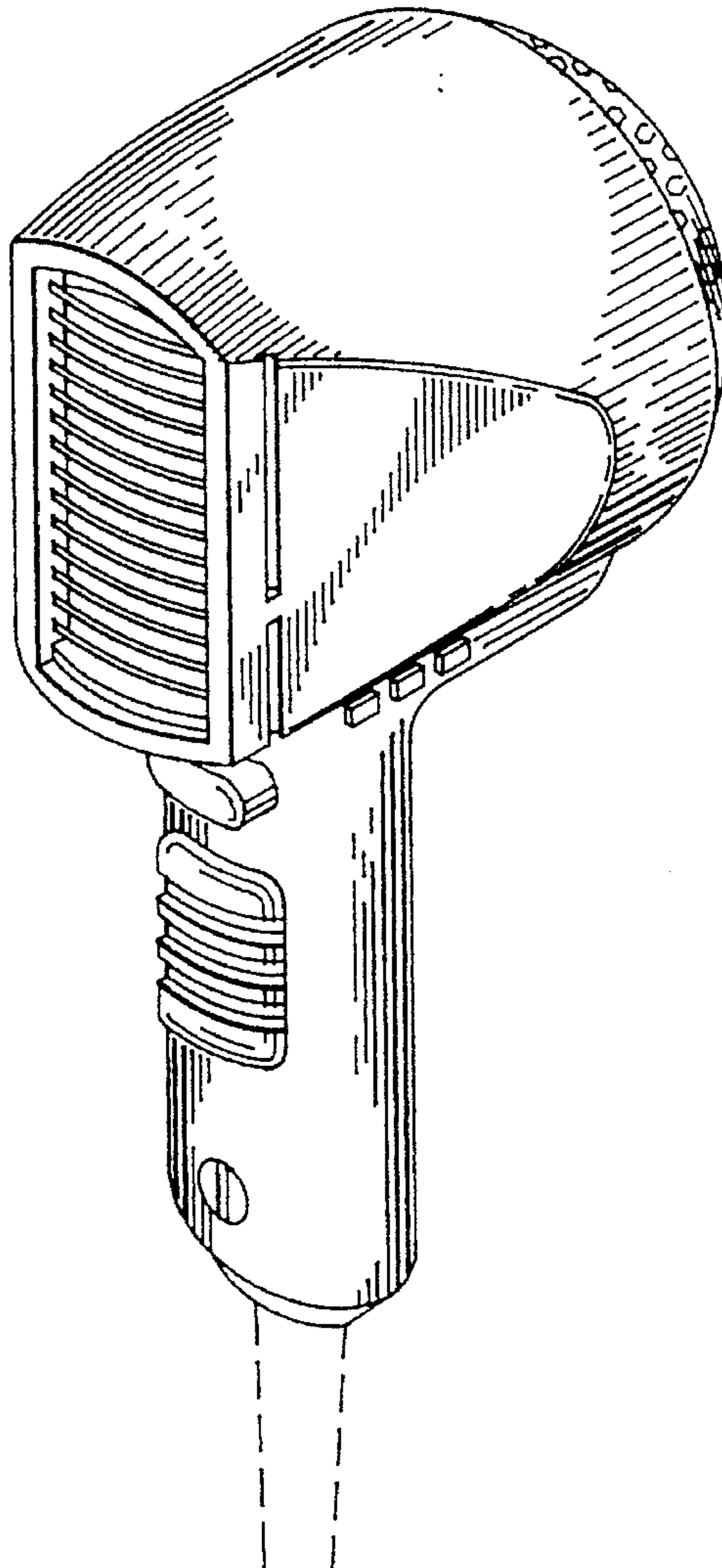
FIG. 5 is a rear elevation view thereof;

FIG. 6 is a top plan view thereof; and,

FIG. 7 is a bottom plan view thereof.

The broken line showing of the cord is for illustrative purposes only and forms no part of the claimed design.

1 Claim, 2 Drawing Sheets



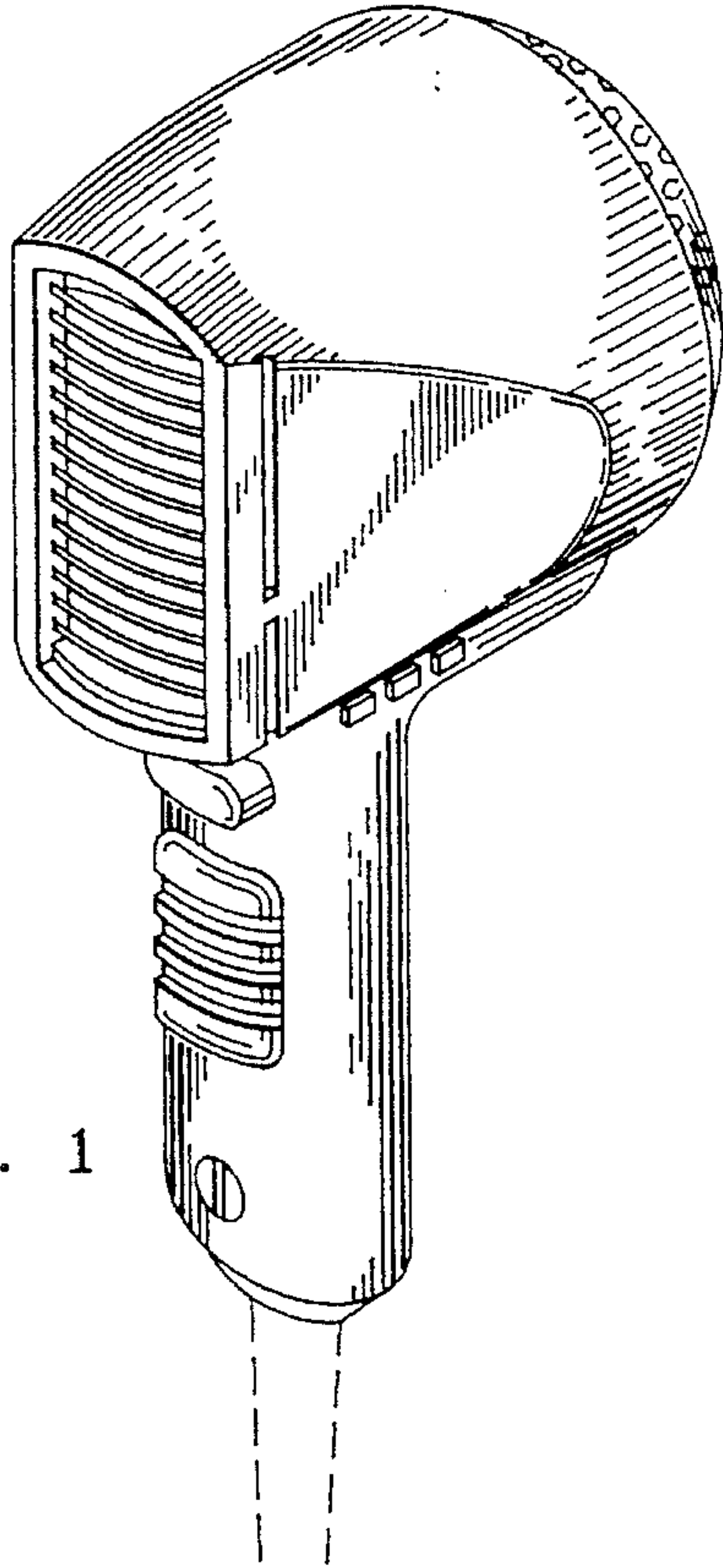


FIG. 1

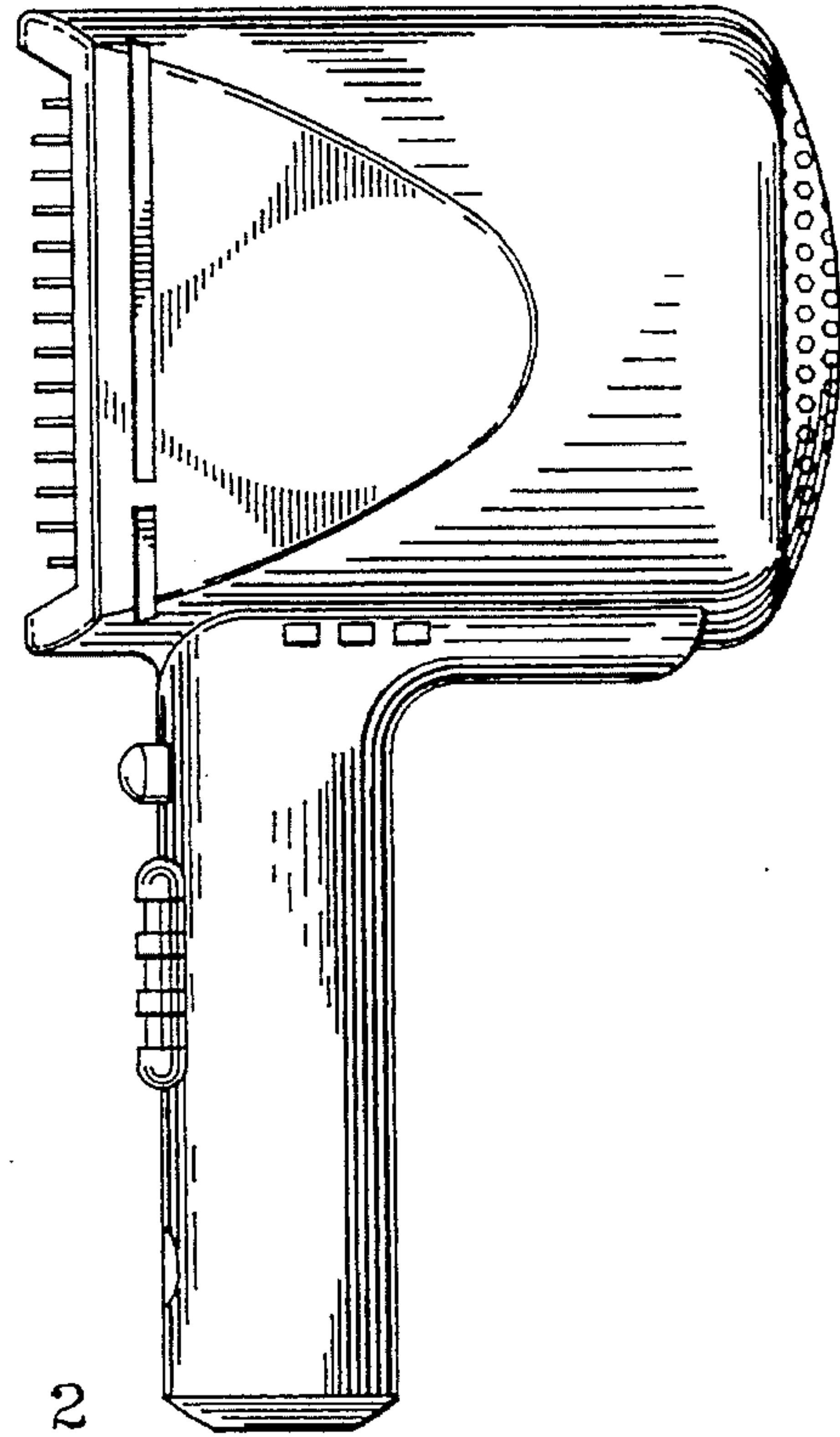


FIG. 2

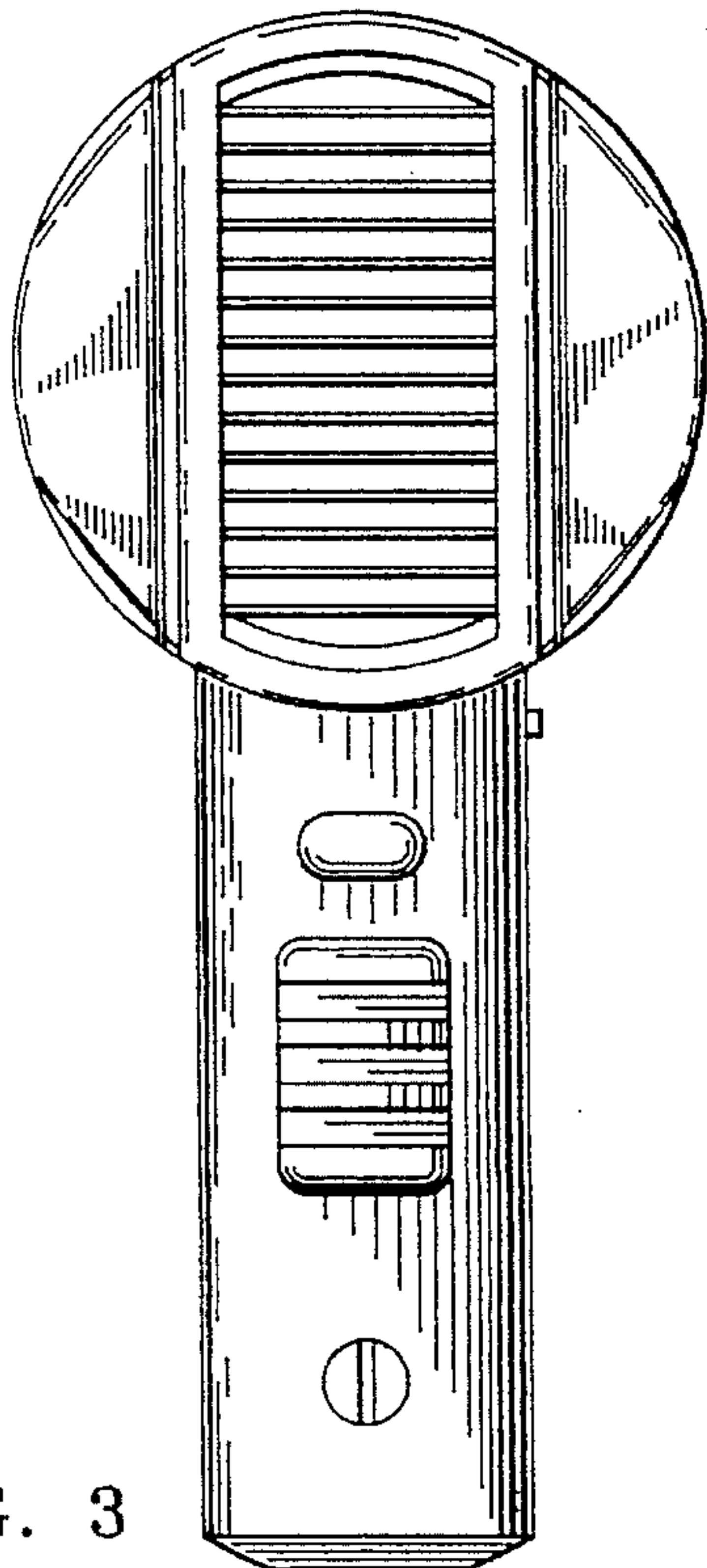


FIG. 3

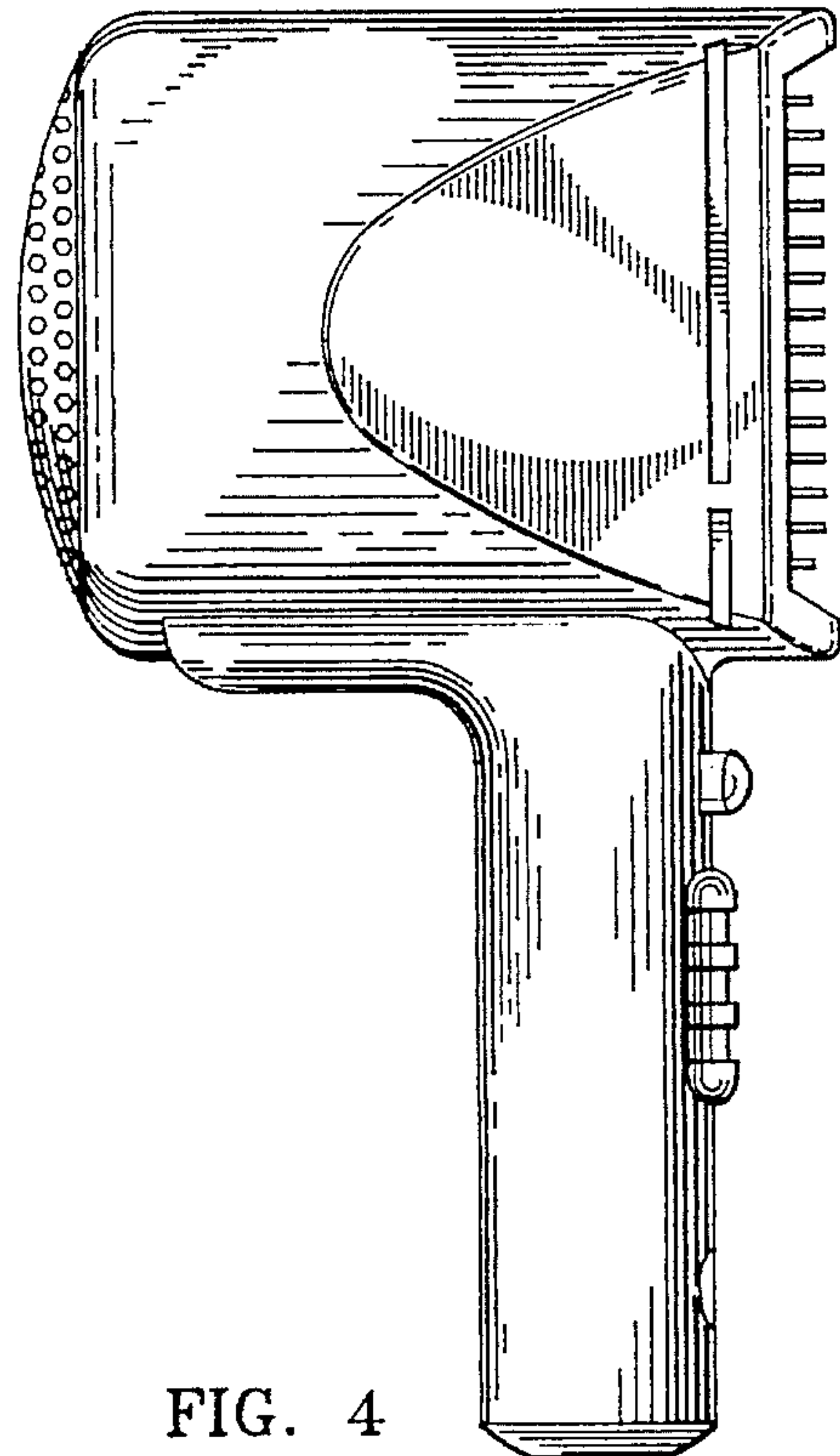


FIG. 4

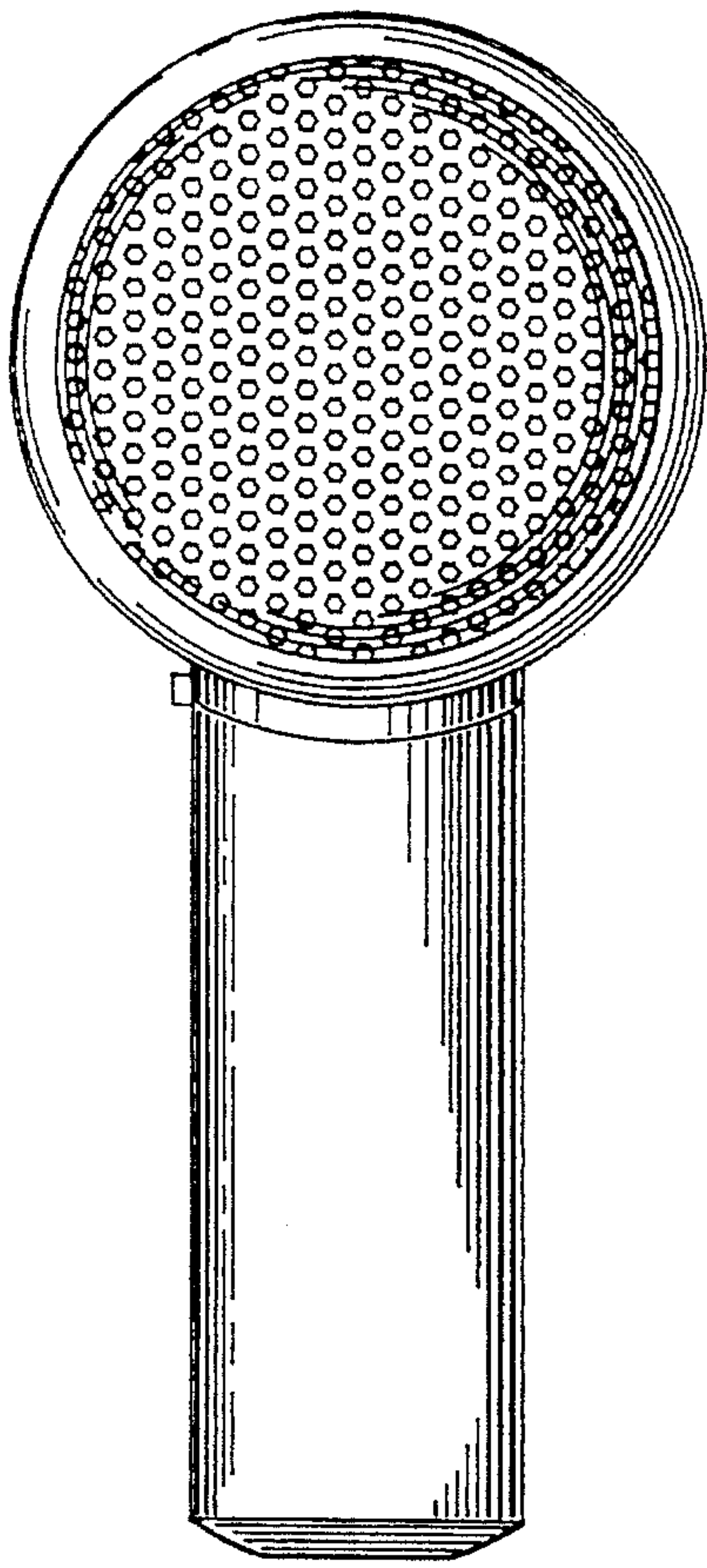


FIG. 5

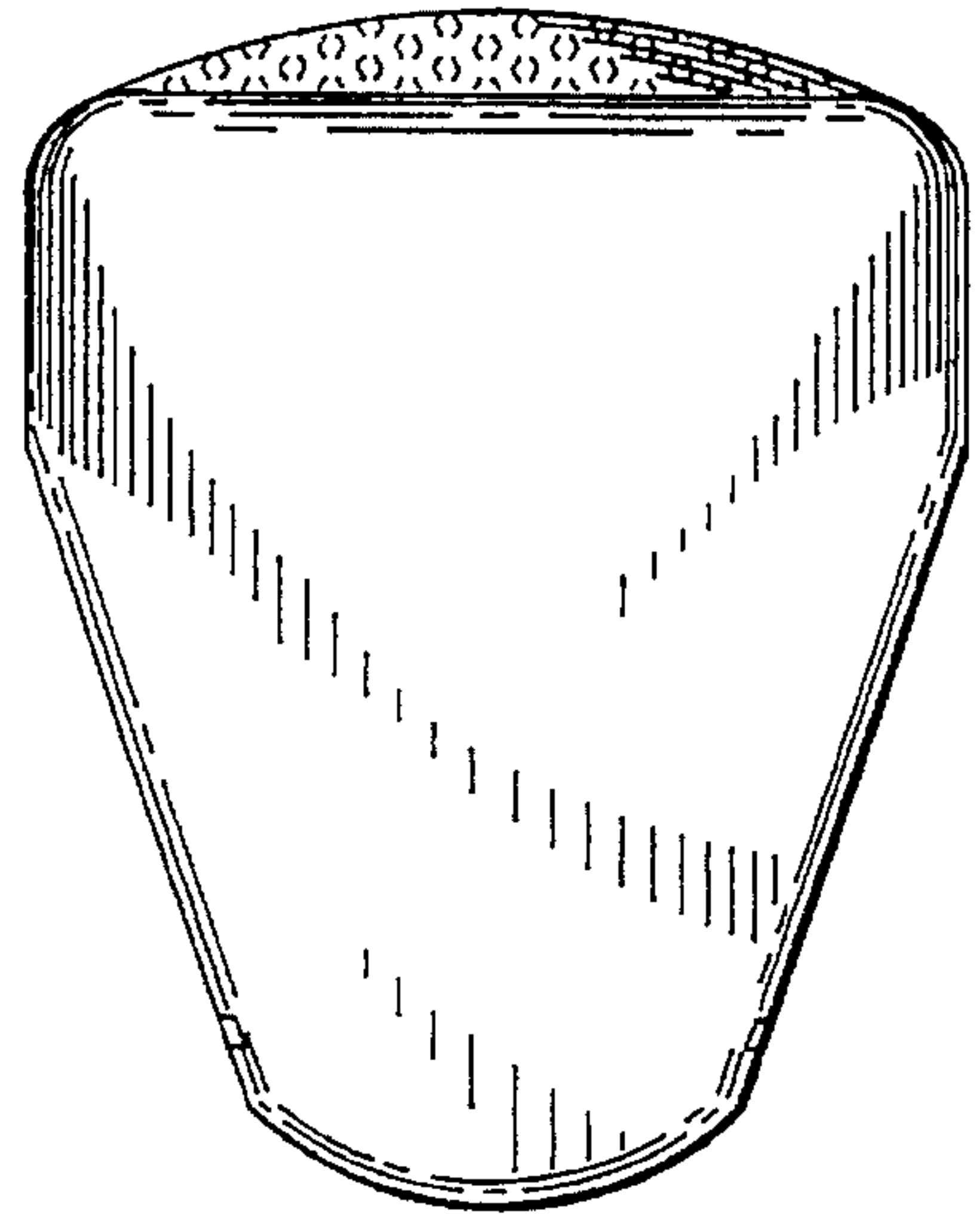


FIG. 6

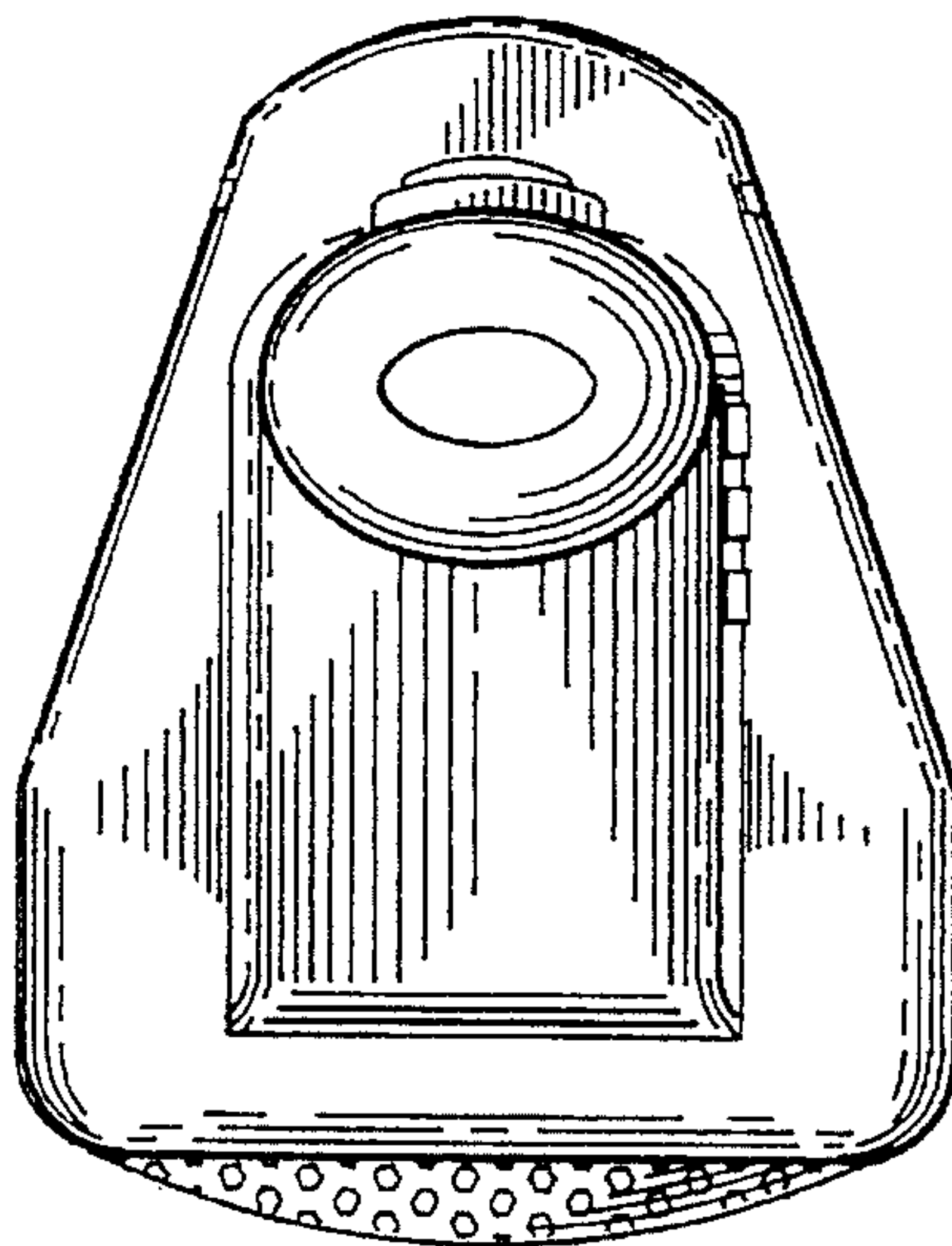


FIG. 7