



US00D367123S

# United States Patent [19]

Blye

[11] Patent Number: **Des. 367,123**

[45] Date of Patent: **\*\*Feb. 13, 1996**

[54] **TOP AND SIDES OF A DROP LIGHT**

4,262,327 4/1981 Kovacik et al. .... 362/396 X

[75] Inventor: **Bruce A. Blye**, Woodland Hills, Calif.

### FOREIGN PATENT DOCUMENTS

[73] Assignee: **National Electric Mfg. Corp.**,  
Commerce, Calif.

333381 2/1959 Switzerland ..... 362/222

[\*\*] Term: **14 Years**

*Primary Examiner*—Susan J. Lucas  
*Attorney, Agent, or Firm*—Edgar W. Averill, Jr.

[21] Appl. No.: **29,329**

### [57] CLAIM

[22] Filed: **Oct. 3, 1994**

The ornamental design for a top and sides of a drop light, as shown.

[52] U.S. Cl. .... **D26/42; D26/40**

### DESCRIPTION

[58] **Field of Search** ..... D26/37-50, 75-79;  
362/157, 158, 183, 184, 187-202, 258,  
395, 217, 220, 222, 223

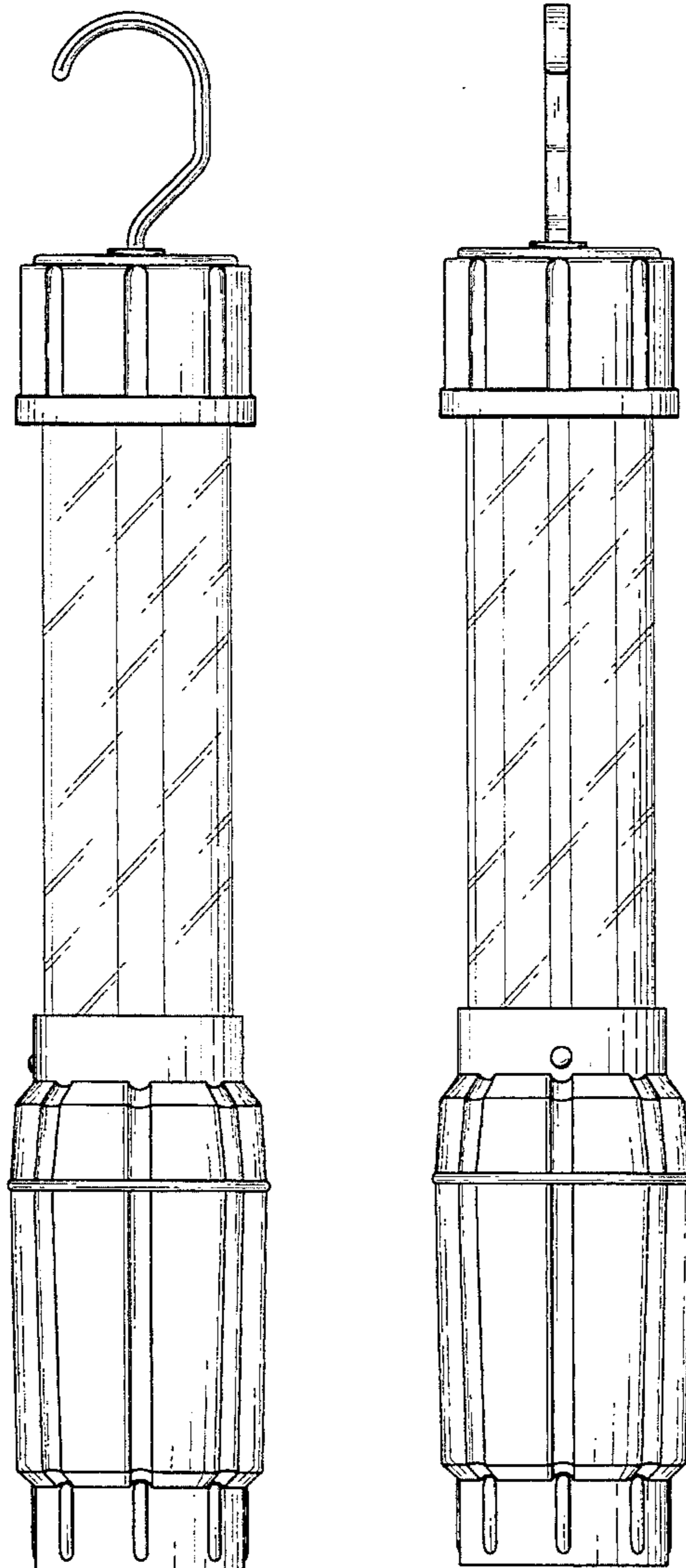
FIG. 1 is a front view of the top and sides of a drop light of the present invention;  
FIG. 2 is a left side view thereof;  
FIG. 3 is a back view thereof;  
FIG. 4 is a right side view thereof; and,  
FIG. 5 is a top view thereof.

### [56] References Cited

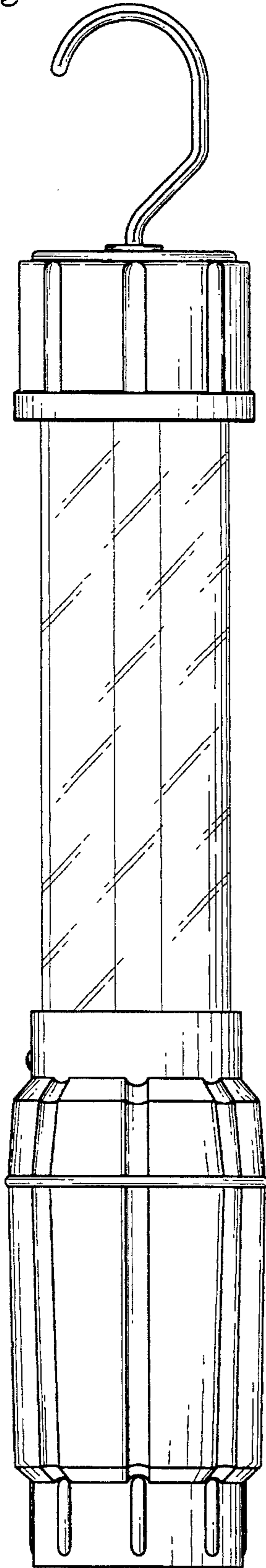
#### U.S. PATENT DOCUMENTS

D. 136,570 10/1943 Stephens et al. .... D26/78  
2,347,174 4/1944 Cross et al. .... 362/222  
2,874,270 2/1959 Douglass et al. .... 362/222

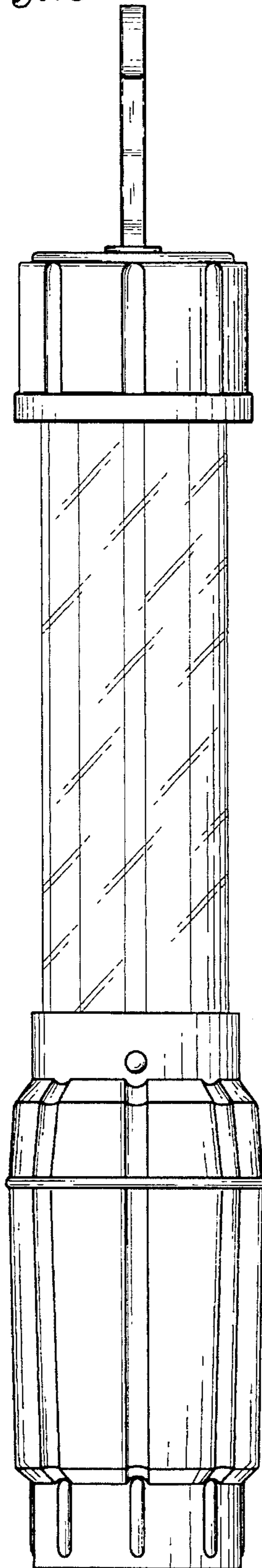
**1 Claim, 2 Drawing Sheets**



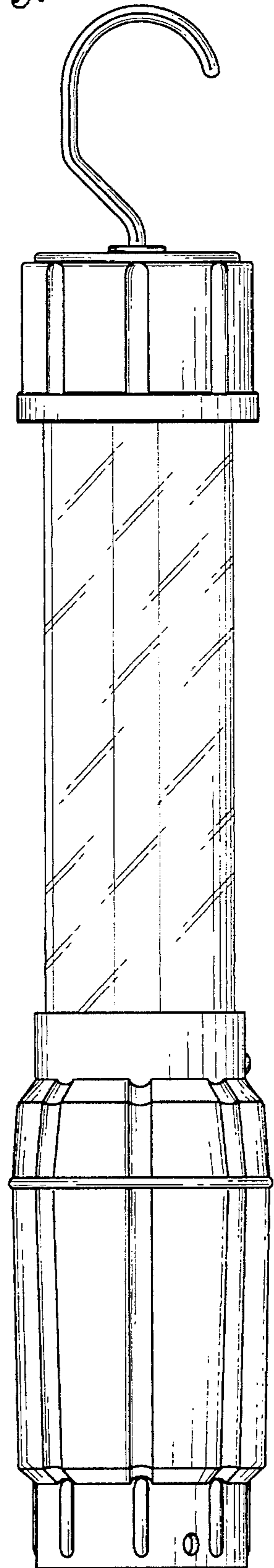
*Fig. 1*



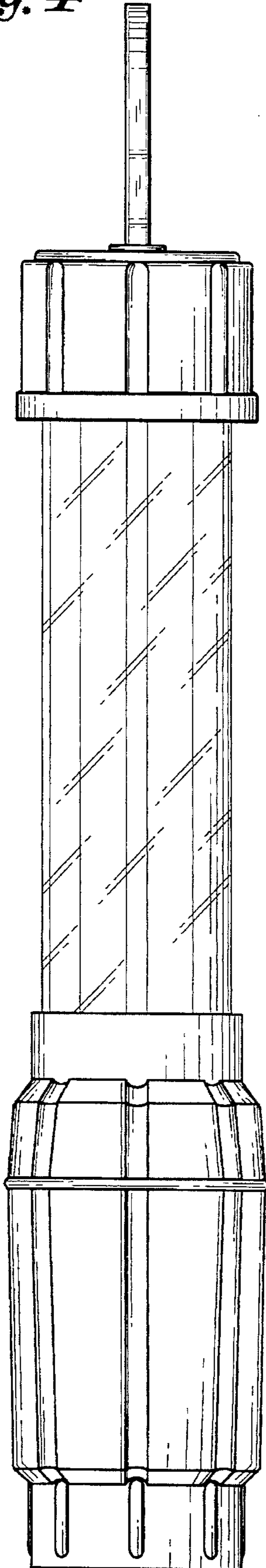
*Fig. 2*



*Fig. 3*



*Fig. 4*



*Fig. 5*

