



US00D367122S

United States Patent [19]
Foster

[11] **Patent Number: Des. 367,122**

[45] **Date of Patent: **Feb. 13, 1996**

[54] **TREE STAND**

[76] Inventor: **Susan L. Foster**, 826 Linwood St.,
New Cumberland, Pa. 17070

[**] Term: **14 Years**

[21] Appl. No.: **29,841**

[22] Filed: **Oct. 17, 1994**

[52] U.S. Cl. **D25/62**

[58] Field of Search D25/62; 248/218.4;
182/187, 142, 116

[56] **References Cited**

U.S. PATENT DOCUMENTS

D. 335,188 4/1993 Rosser D25/62
5,267,632 12/1993 Mintz 182/116

Primary Examiner—Doris Clark
Attorney, Agent, or Firm—Harpman & Harpman

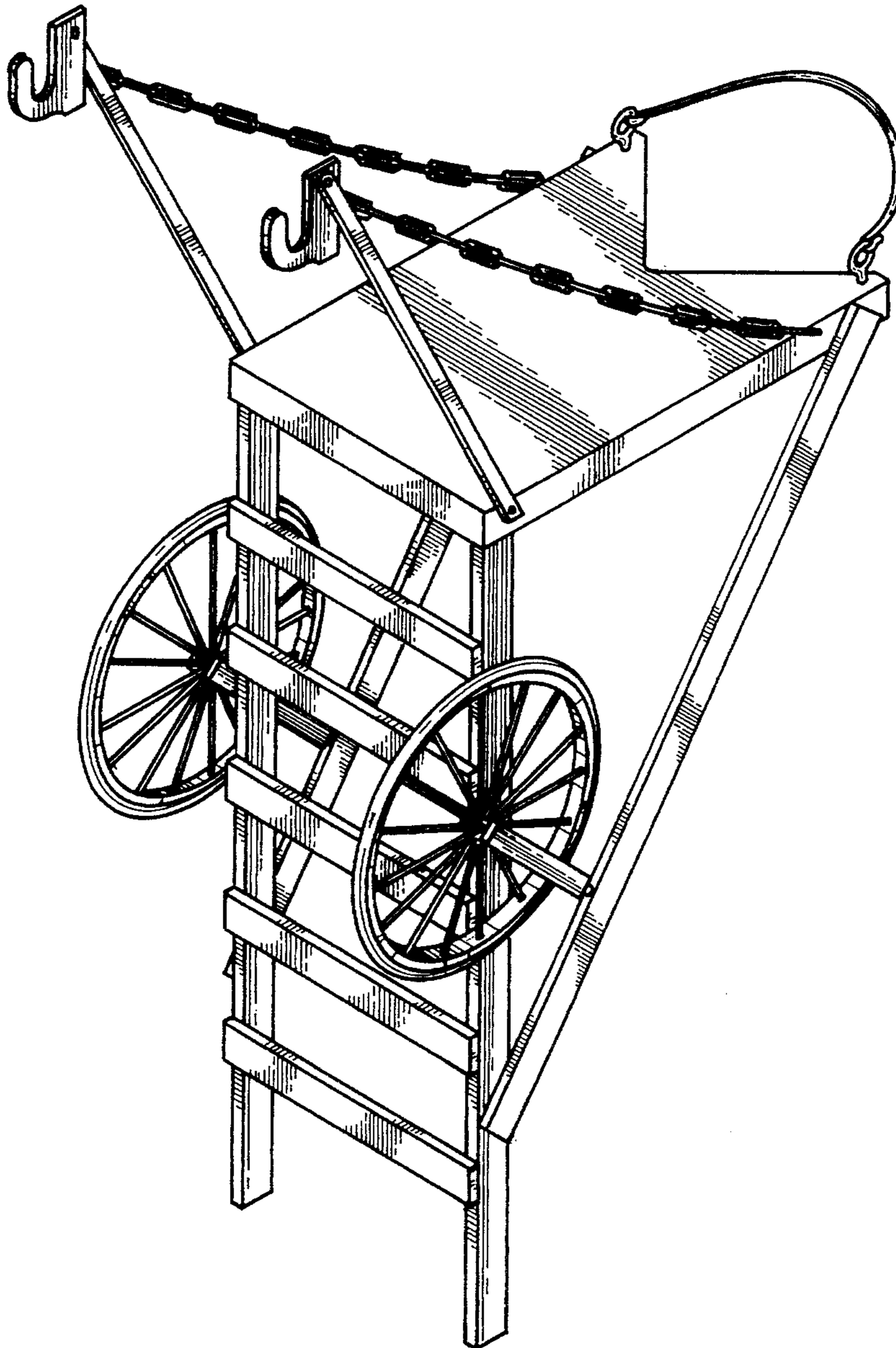
[57] **CLAIM**

The ornamental design for a tree stand, as shown and described.

DESCRIPTION

FIG. 1 is a front, top and side perspective view of the tree stand embodying the design of the present invention; FIG. 2 is a side elevational view thereof, the side opposite being a mirror image of the side shown in FIG. 2; FIG. 3 is a rear elevational view thereof; FIG. 4 is a front elevational view thereof; FIG. 5 is a top plan view thereof; and, FIG. 6 is a bottom plan view thereof.

1 Claim, 4 Drawing Sheets



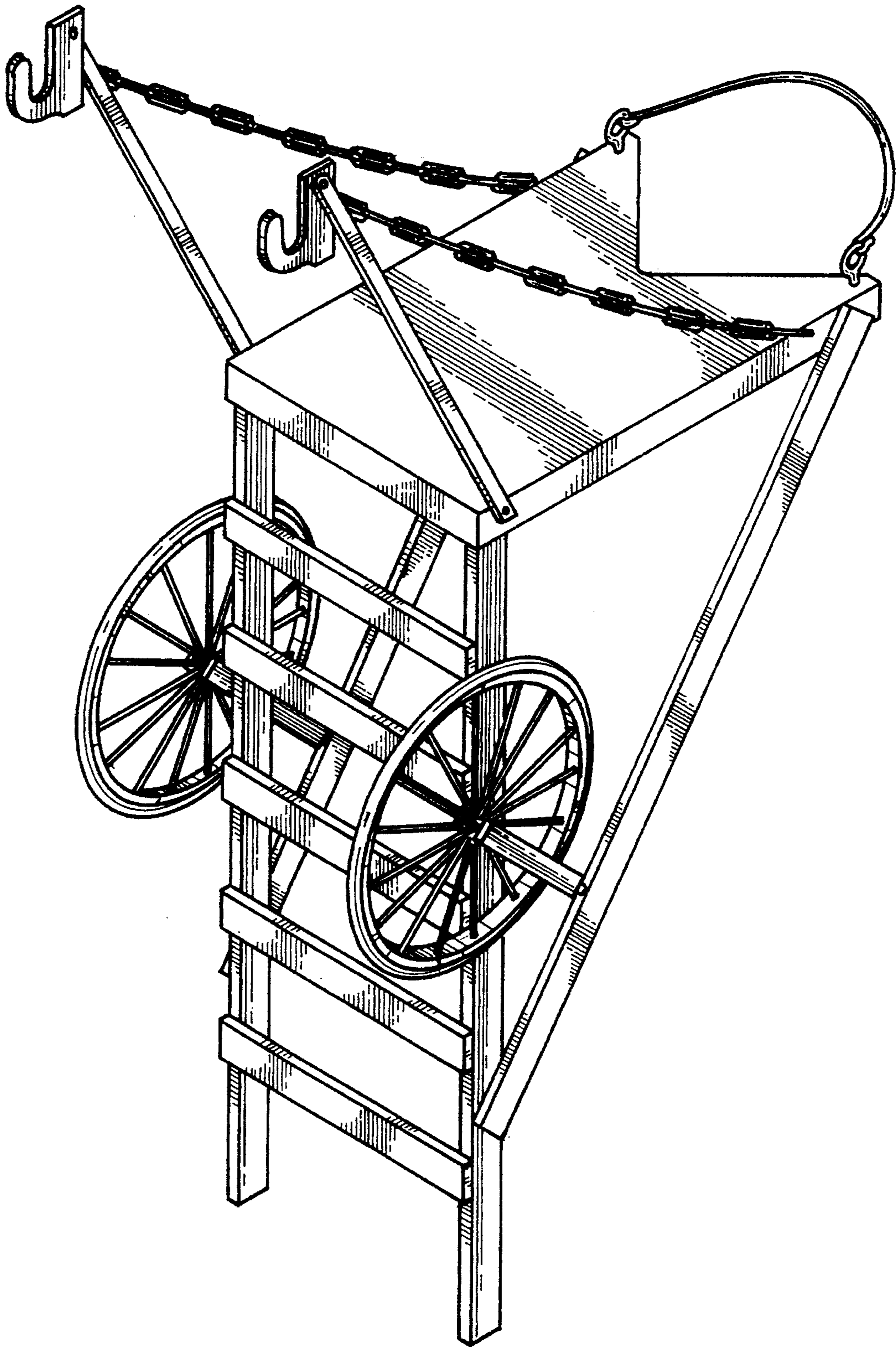


FIG.1

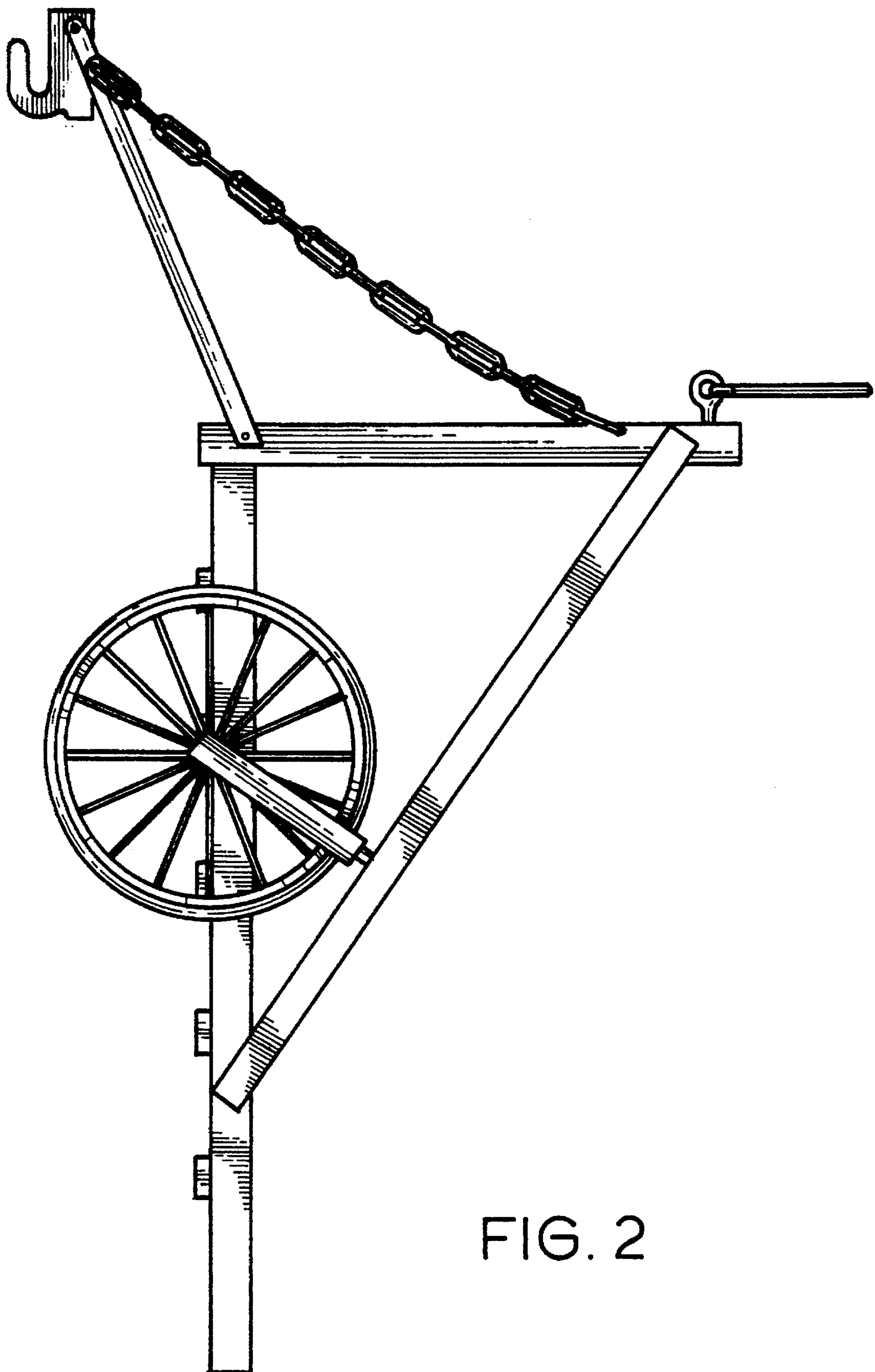


FIG. 2

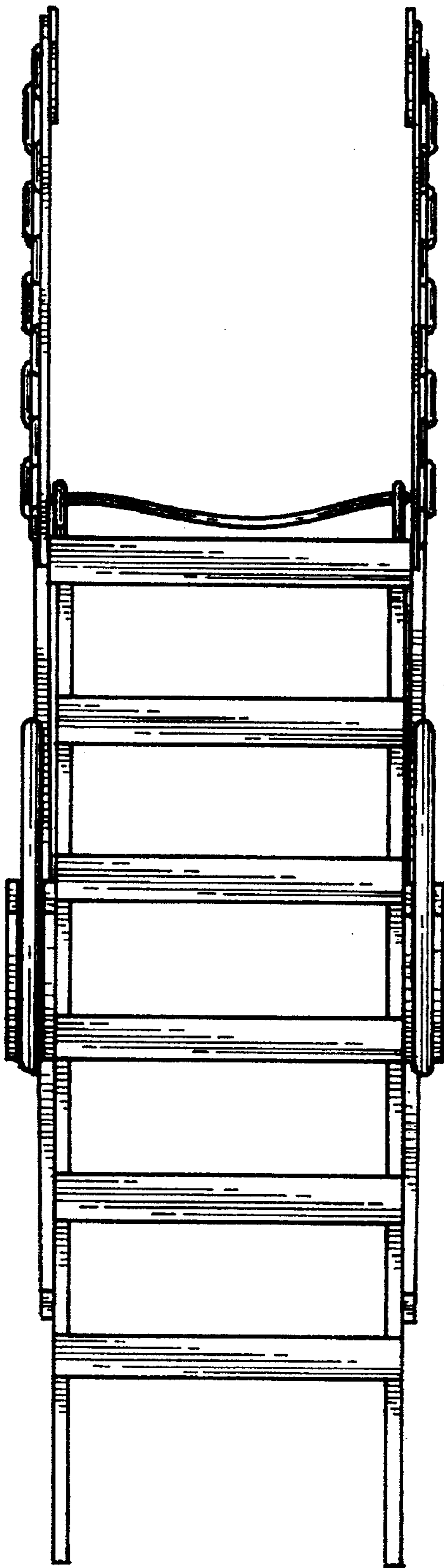


FIG. 3

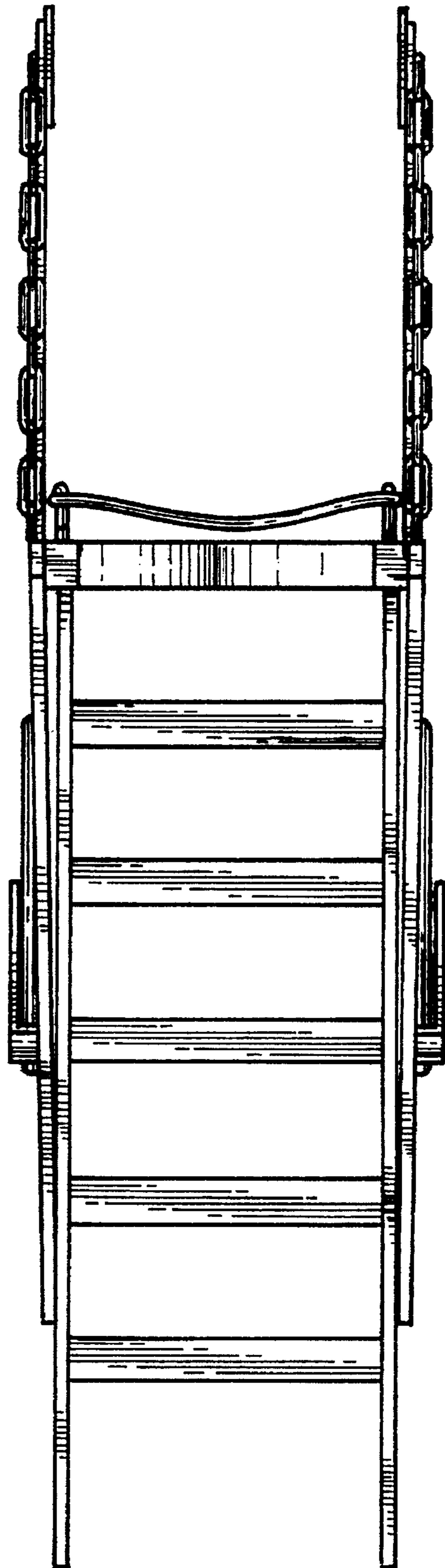


FIG. 4

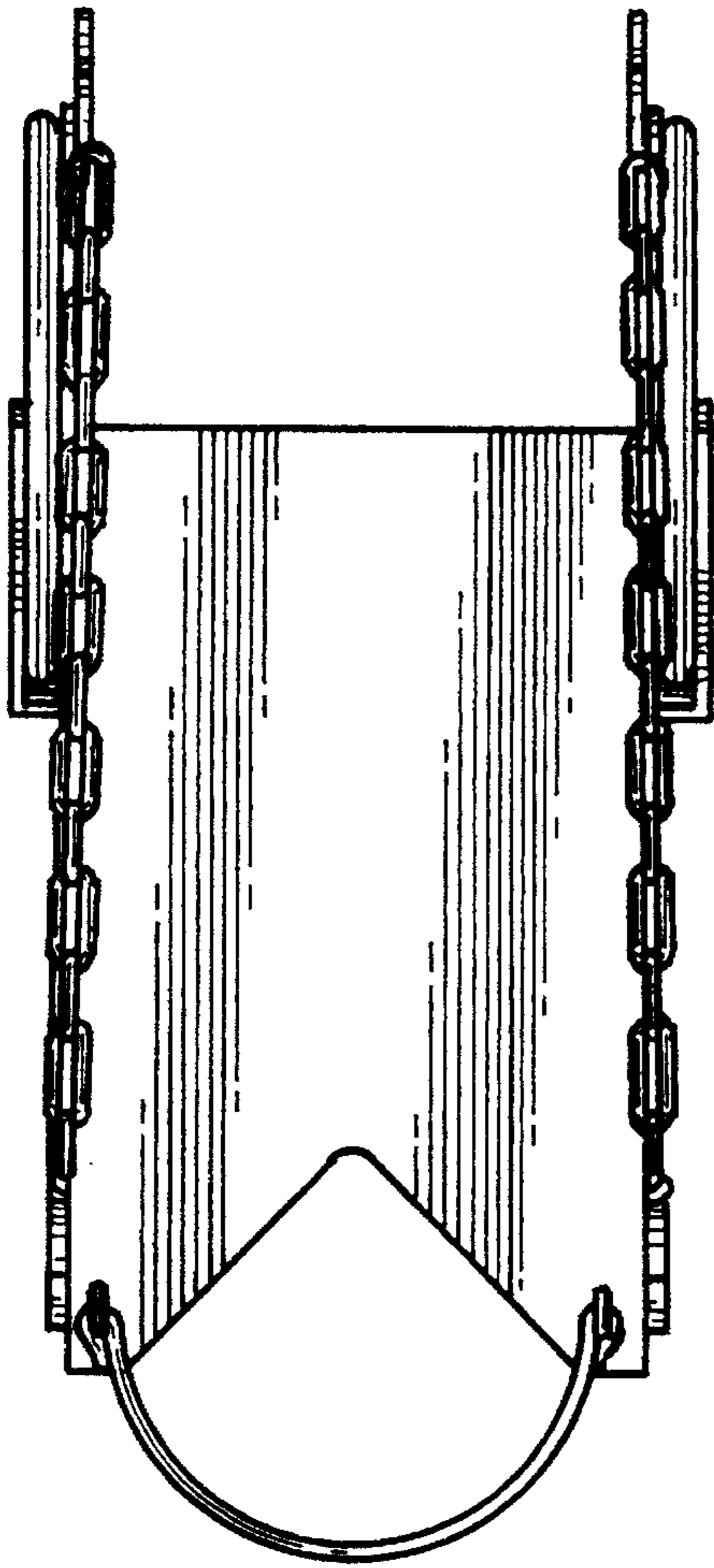


FIG. 5

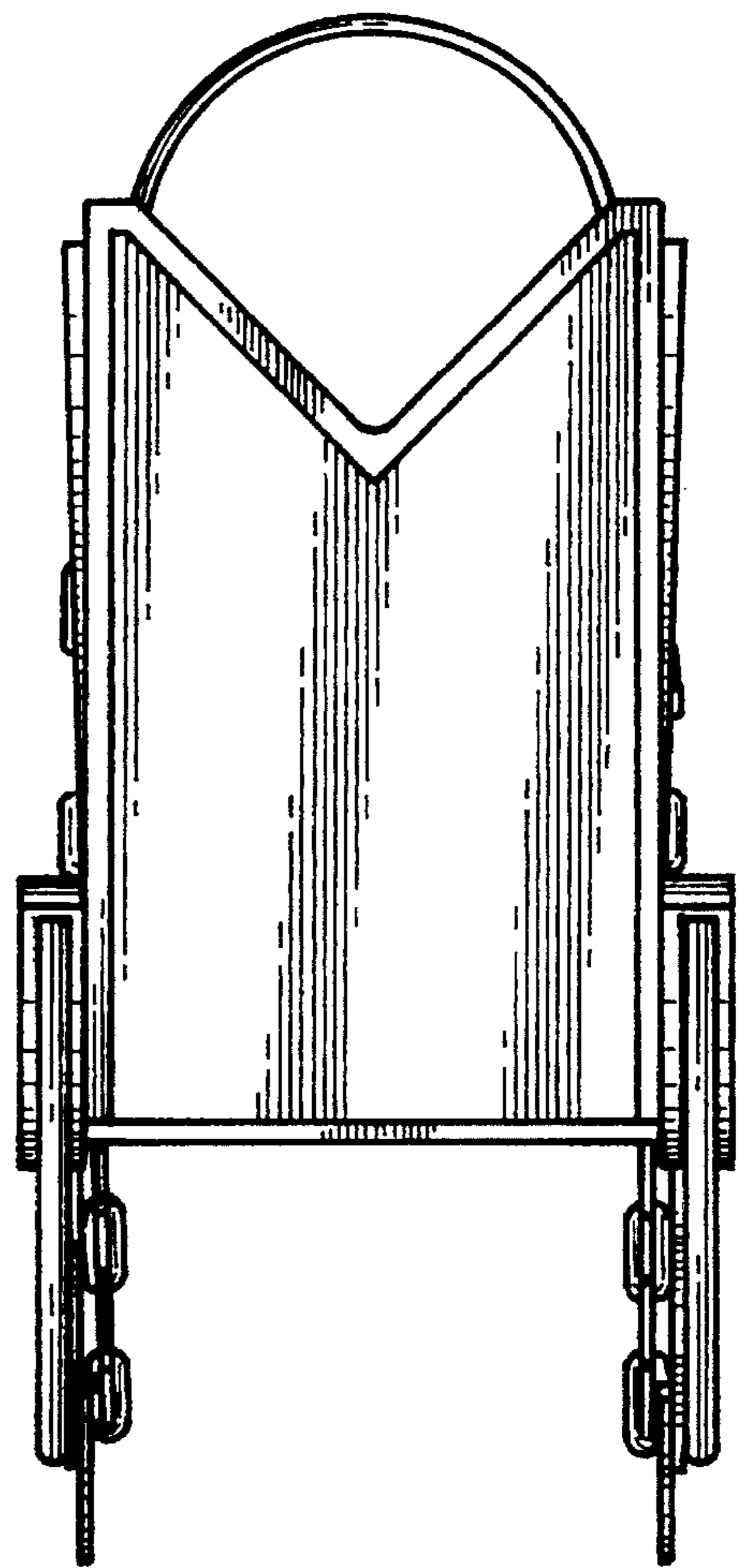


FIG. 6