



US00D367119S

United States Patent [19]

[11] Patent Number: **Des. 367,119**

Trunk

[45] Date of Patent: ****Feb. 13, 1996**

[54] **TETRAHEDRON HOUSING STRUCTURE**

4,064,662	12/1977	O'Toole	D25/26 X
4,557,097	12/1985	Mikulus, Jr.	.	
4,655,022	4/1987	Natori	.	
4,722,162	2/1988	Wilensky	.	
4,813,191	3/1989	Huang	.	
4,869,041	9/1989	Chu	52/646
4,967,533	11/1990	Weisse	.	
5,105,589	4/1992	Rodriguez	.	

[76] Inventor: **Gary A. Trunk**, 1011 - 4th St. #212,
Santa Monica, Calif. 90403

[**] Term: **14 Years**

[21] Appl. No.: **31,737**

[22] Filed: **Dec. 5, 1994**

[52] U.S. Cl. **D25/23; D3/22**

[58] Field of Search D25/1, 2, 3, 4,
D25/5, 13, 15, 19, 21, 23, 26, 32, 56; 52/63,
81.1; D11/157

Primary Examiner—Louis S. Zarfes
Assistant Examiner—Monica Hannon
Attorney, Agent, or Firm—Cislo E. Thomas

[57] CLAIM

The ornamental design for a tetrahedron housing structure,
as shown and described.

[56] References Cited

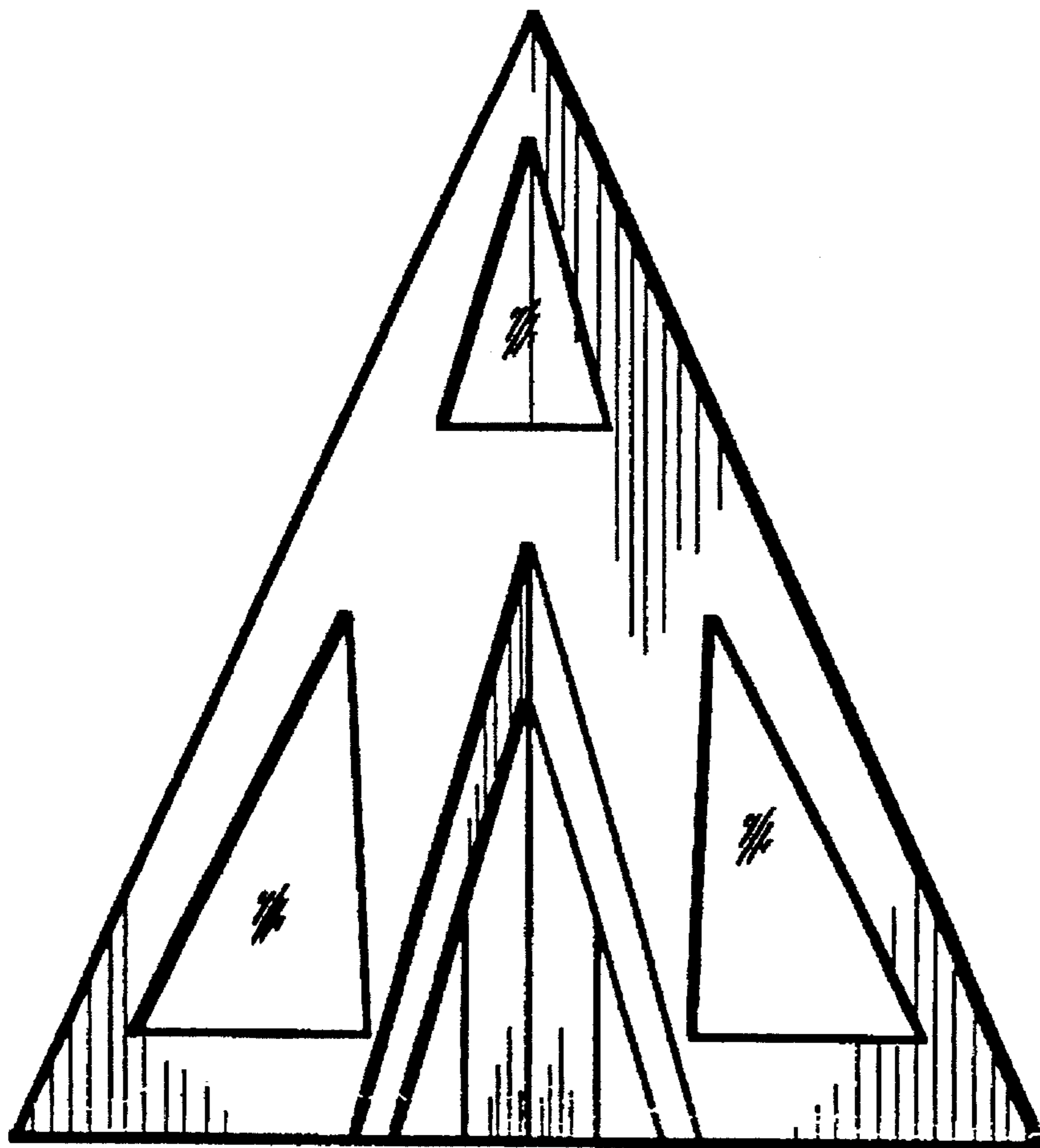
U.S. PATENT DOCUMENTS

D. 263,255	3/1982	Zima	D25/26
D. 326,936	6/1992	Moore	D25/26 X
D. 351,623	10/1994	Seiler	D11/157 X
3,494,578	2/1970	Cureton	.	
3,665,882	5/1972	Georgiev et al.	.	
3,710,528	6/1973	Riedberger et al.	.	
3,785,096	6/1974	Neuhardt	.	
3,810,336	5/1974	Sadao	D25/13 X
3,871,143	3/1975	Quick	D25/13 X
4,037,371	7/1977	de la Lande de Calan	.	

DESCRIPTION

FIG. 1 is a perspective view of my new design;
FIG. 2 is a bottom plan view thereof;
FIG. 3 is a top plan view thereof;
FIG. 4 is a right side view thereof with the left side
elevational view thereof being a mirror image thereof;
FIG. 5 is a front elevational thereof; and,
FIG. 6 is a rear elevational view thereof.

1 Claim, 1 Drawing Sheet



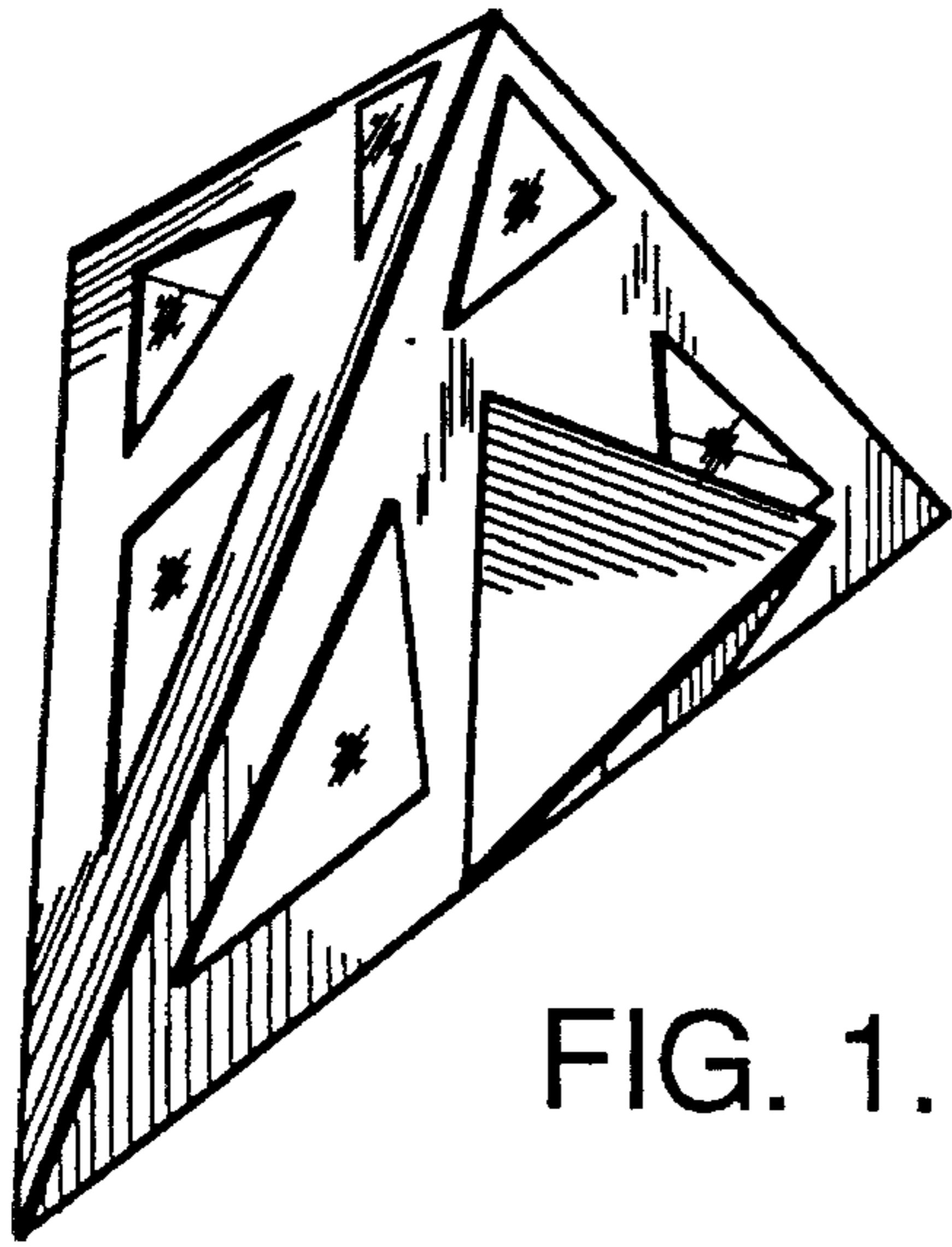


FIG. 1.

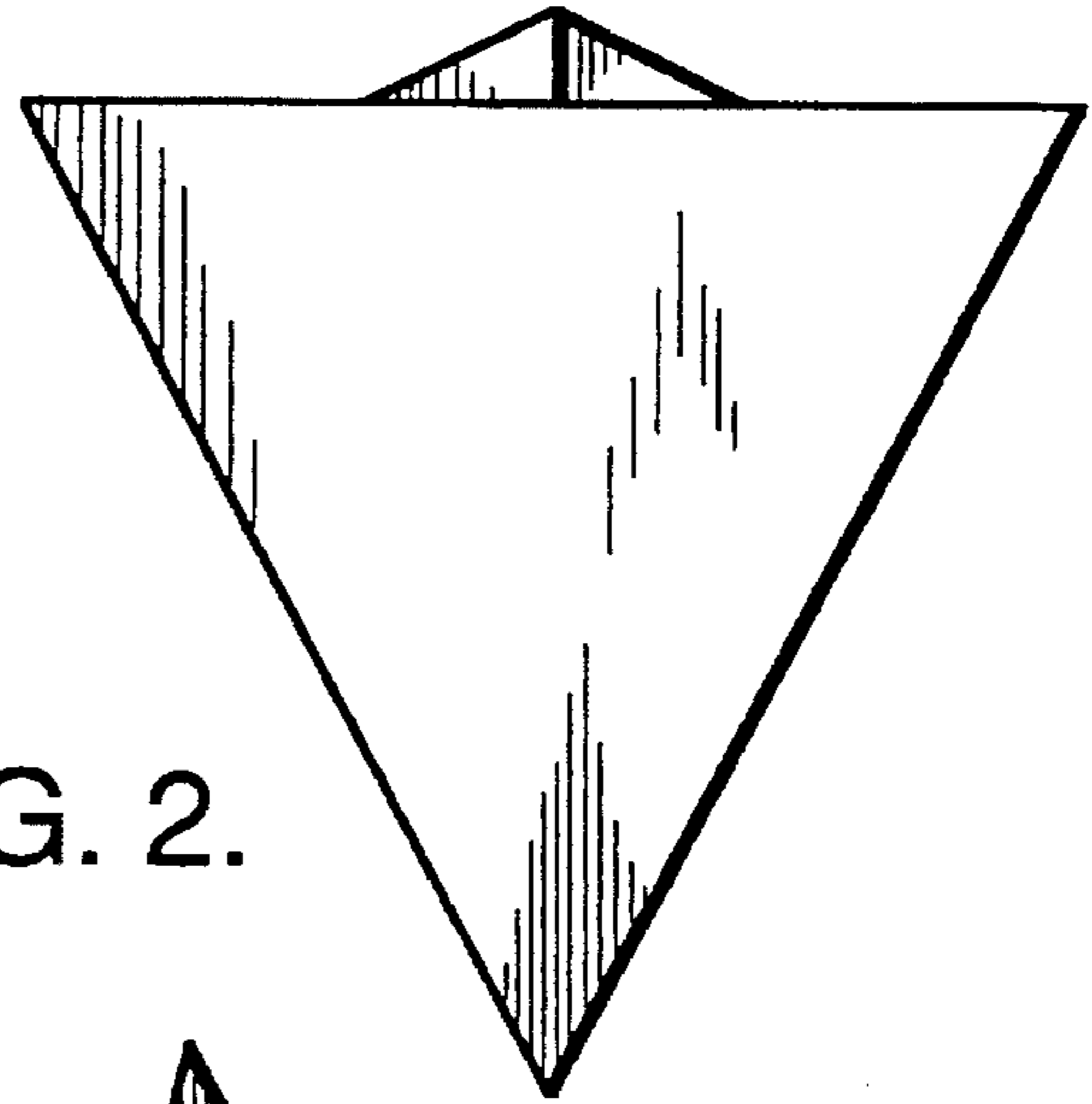


FIG. 2.

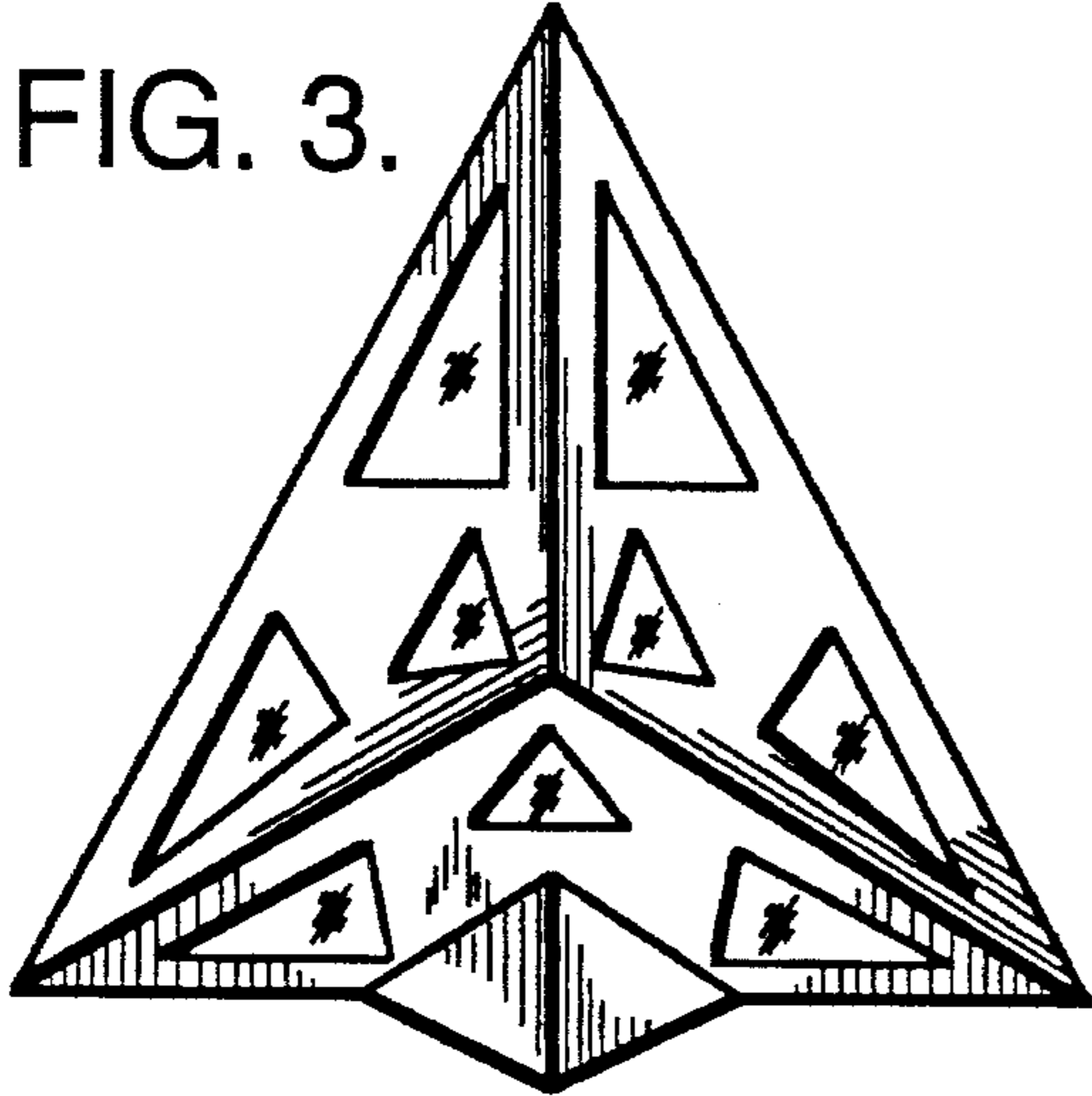


FIG. 3.

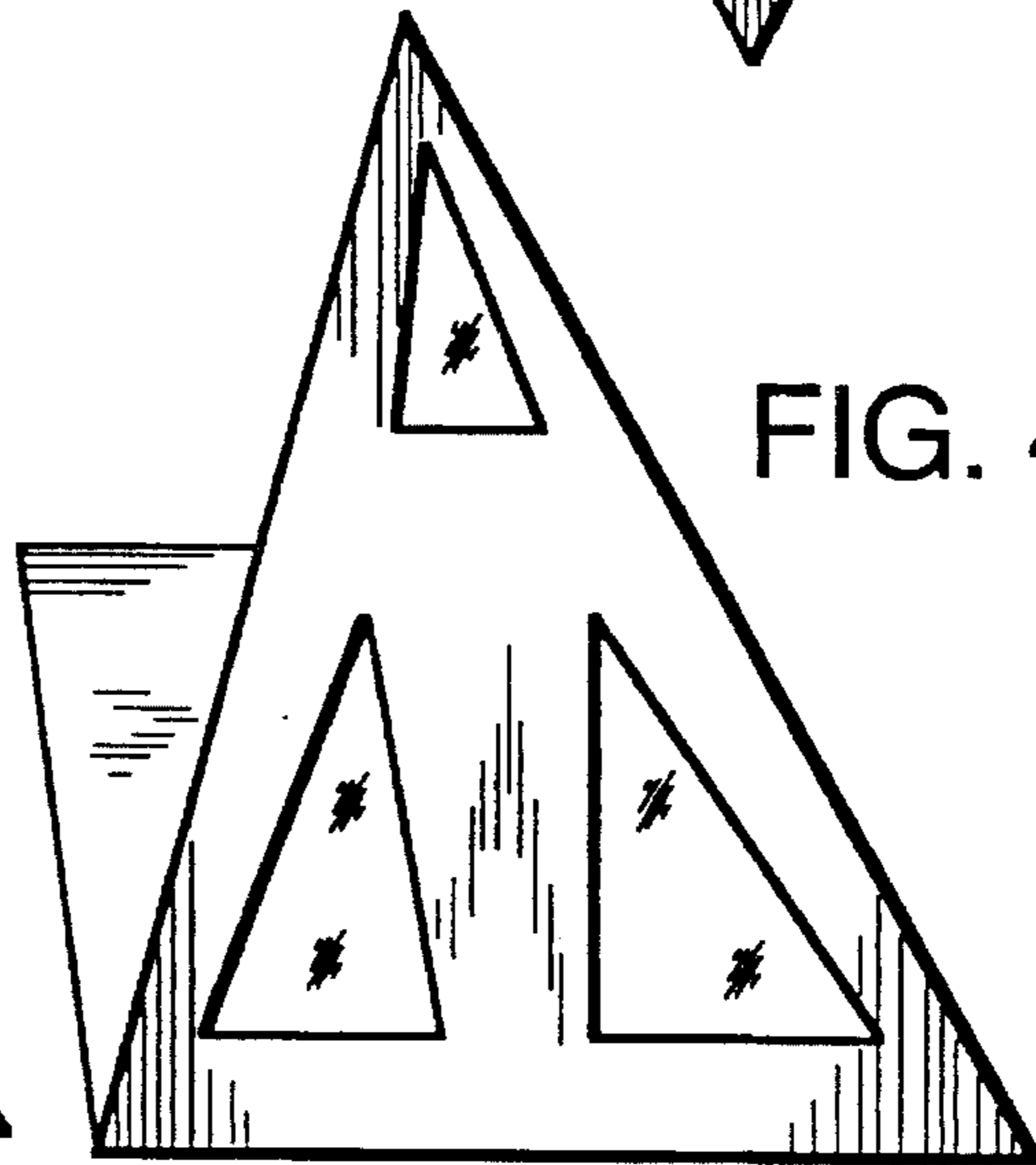


FIG. 4.

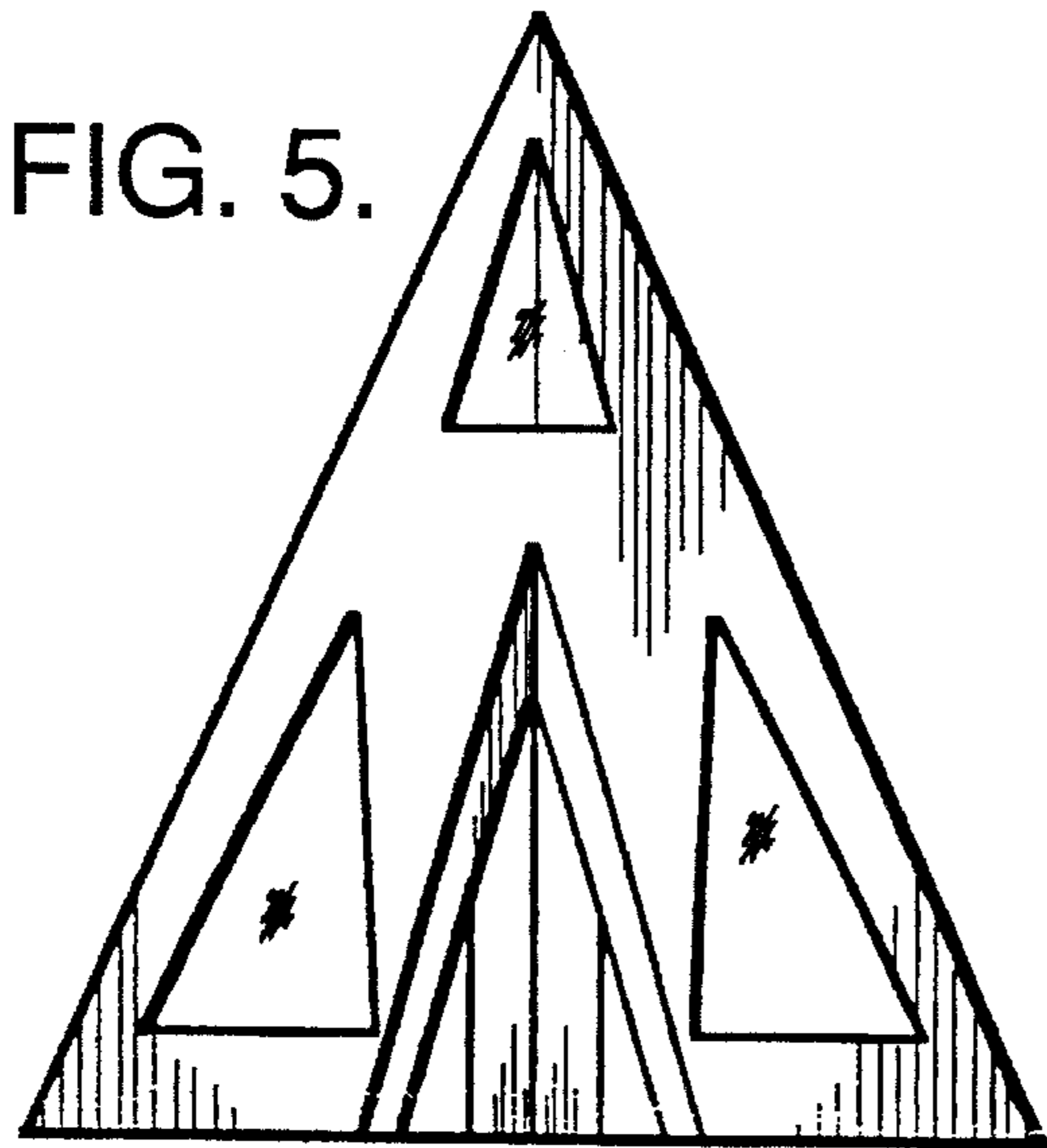


FIG. 5.

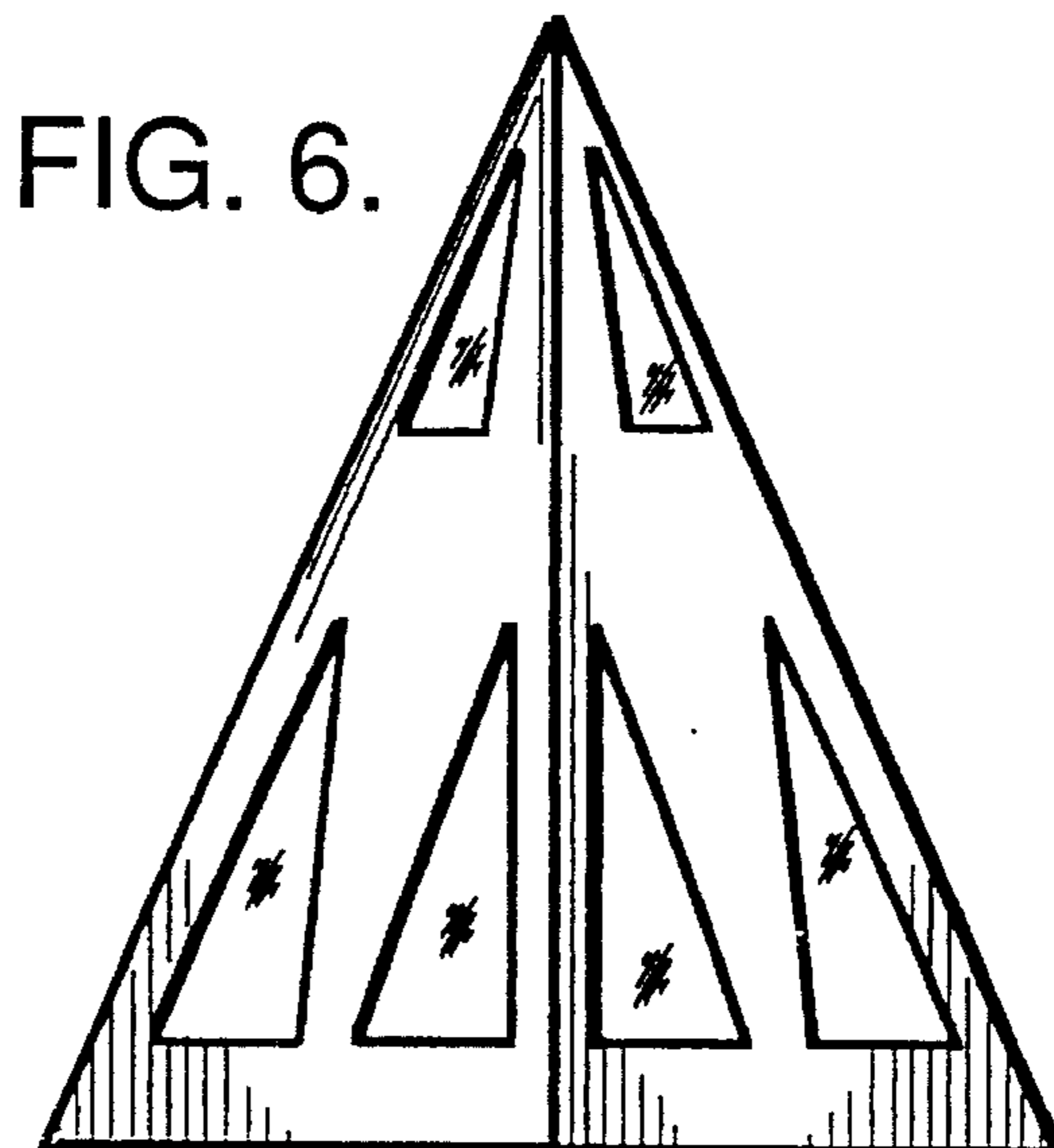


FIG. 6.