



US00D367117S

United States Patent [19]

Batey

[11] Patent Number: **Des. 367,117**

[45] Date of Patent: ****Feb. 13, 1996**

[54] **OSTOMY CUTTER**

4,911,051 3/1990 Depetris D24/147 X
5,052,256 10/1991 Morrissey 83/605 X

[76] Inventor: **Bobby M. Batey**, 3408 Timberview Trail, Lapeer, Mich. 48446

Primary Examiner—Louis S. Zarfes
Assistant Examiner—I. Simmons
Attorney, Agent, or Firm—Harpman & Harpman

[**] Term: **14 Years**

[21] Appl. No.: **26,332**

[57] **CLAIM**

[22] Filed: **Jul. 25, 1994**

The ornamental design for an ostomy cutter, as shown and described.

[52] U.S. Cl. **D24/147**; D24/146

[58] Field of Search D24/146, 130, D24/133; 604/338, 277, 305, 250, 332; 83/605, 633; D8/98; D18/34

DESCRIPTION

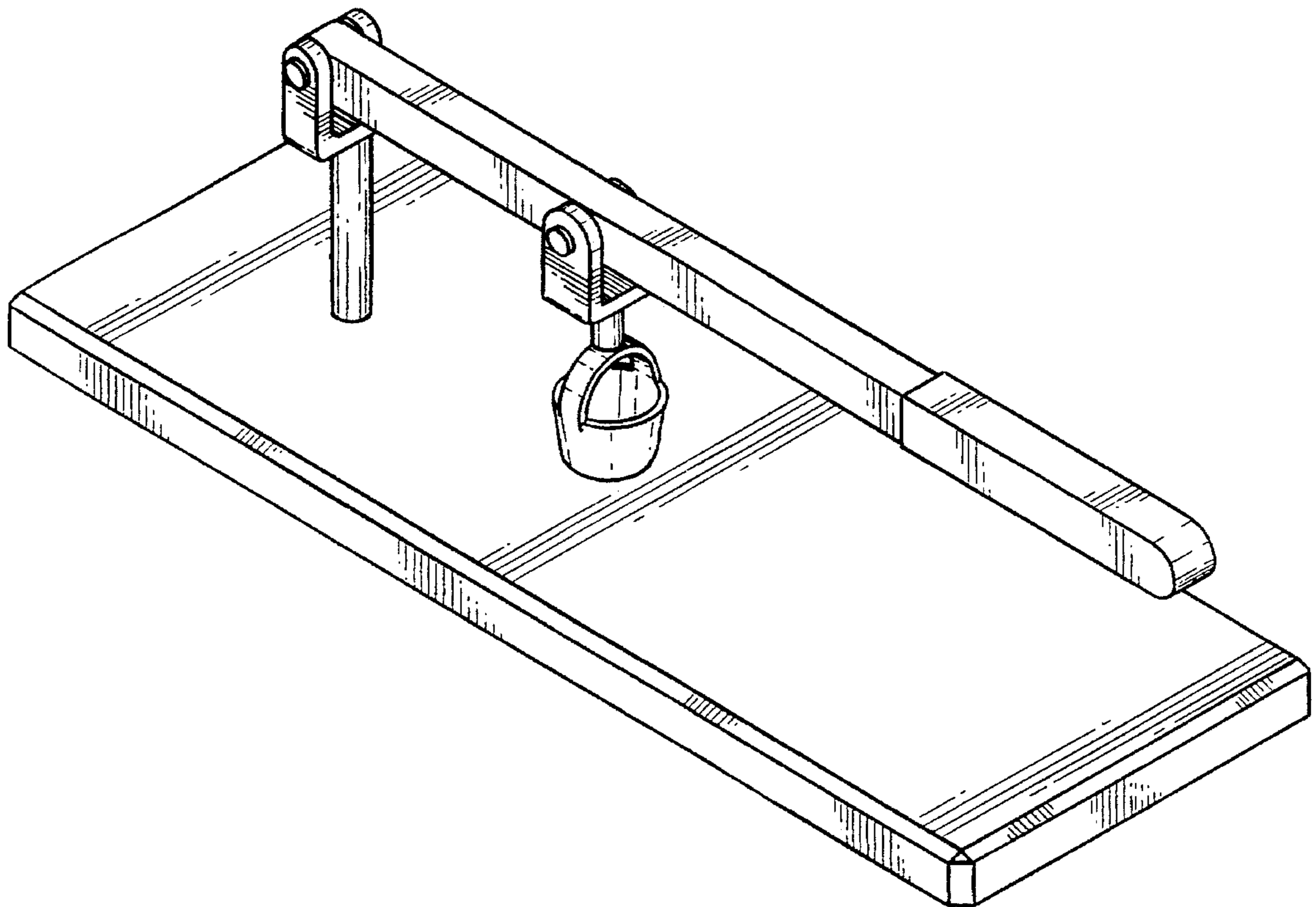
FIG. 1 is a front, top and side perspective view of the embodying the design of the present invention; FIG. 2 is a front elevational view thereof; FIG. 3 is a rear elevational view thereof; FIG. 4 is a side elevational view thereof; FIG. 5 is a top plan view thereof; and, FIG. 6 is a bottom plan view thereof.

[56] **References Cited**

U.S. PATENT DOCUMENTS

266,398 10/1882 Stoddard 83/623
D. 335,183 4/1993 Everhart D24/146 X
2,905,079 9/1959 Brock 83/605
4,708,138 11/1987 Pazandak D24/147 X

1 Claim, 3 Drawing Sheets



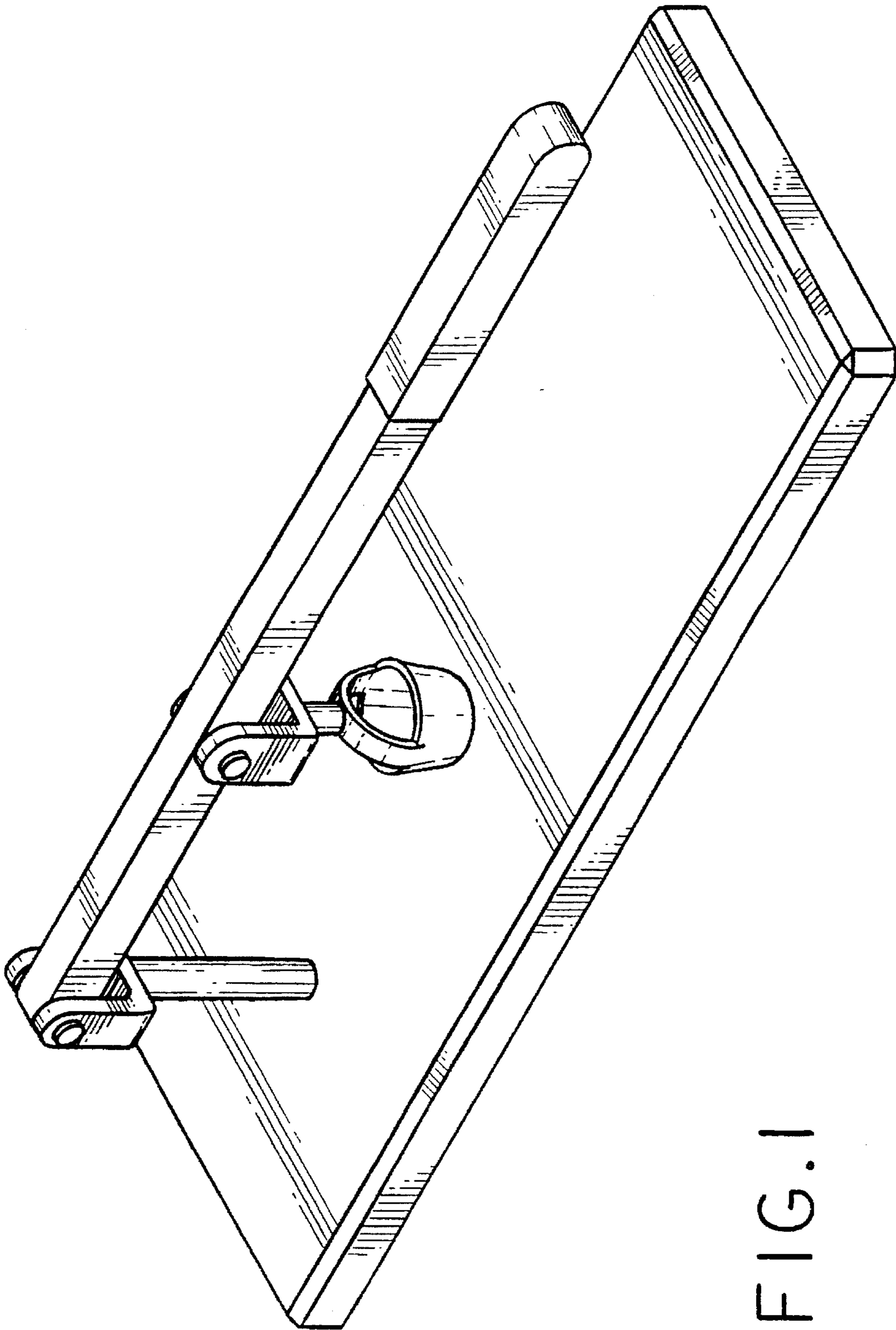


FIG. 1

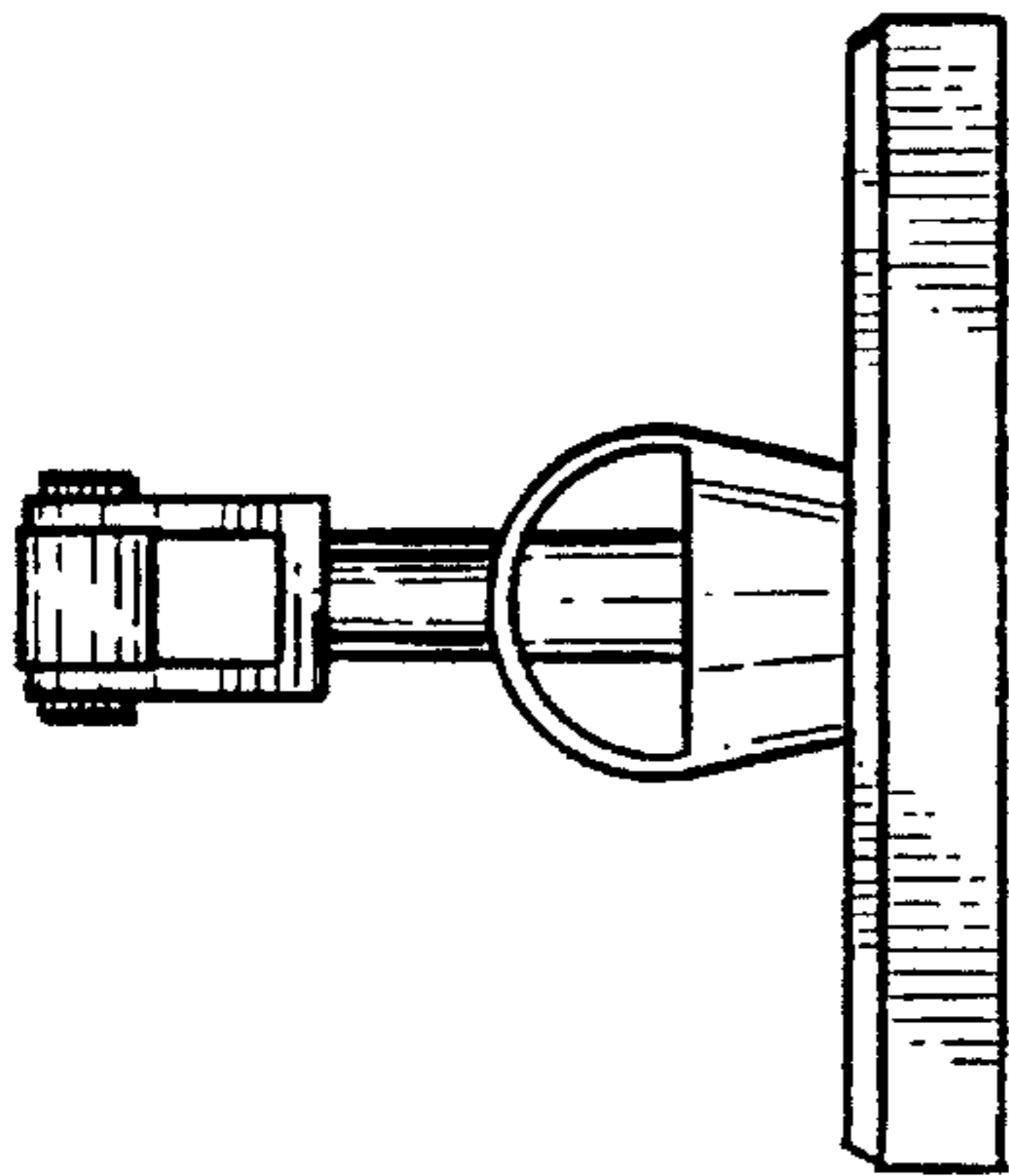


FIG. 2

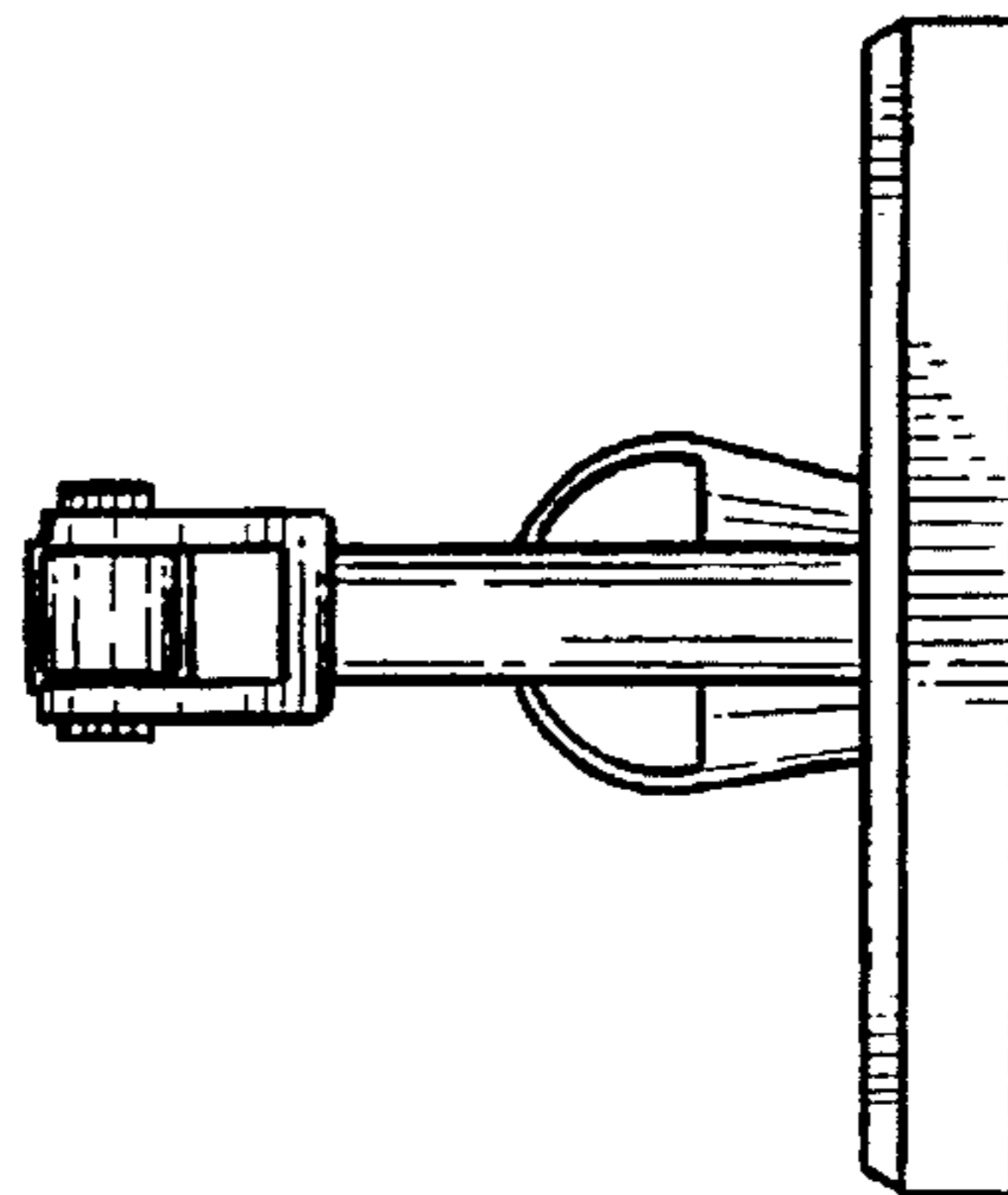


FIG. 3

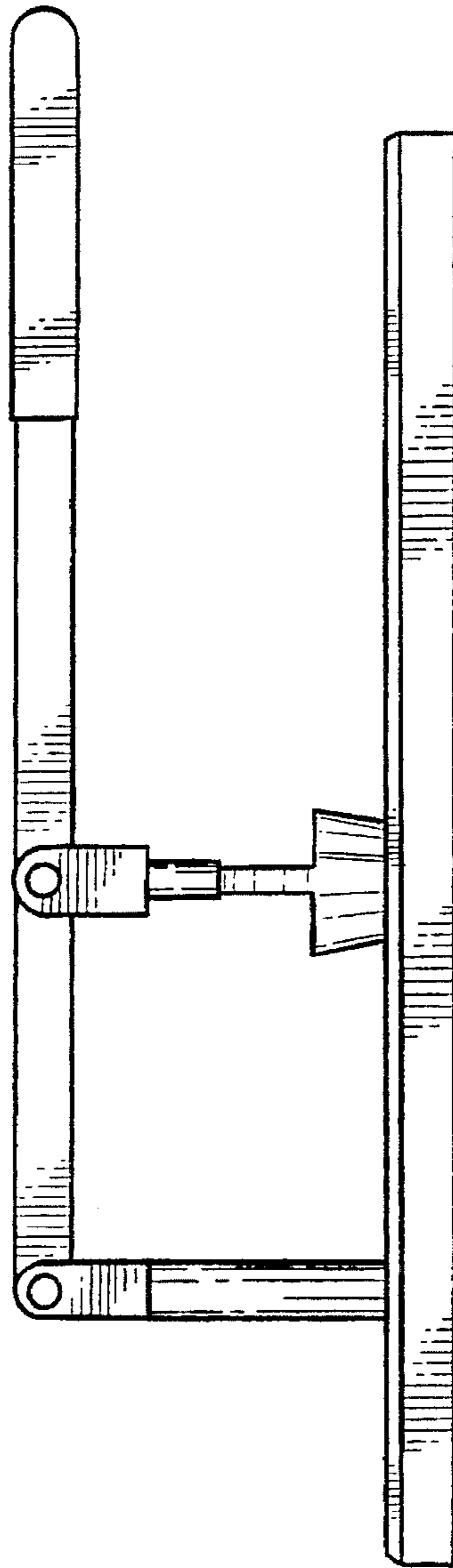


FIG. 4

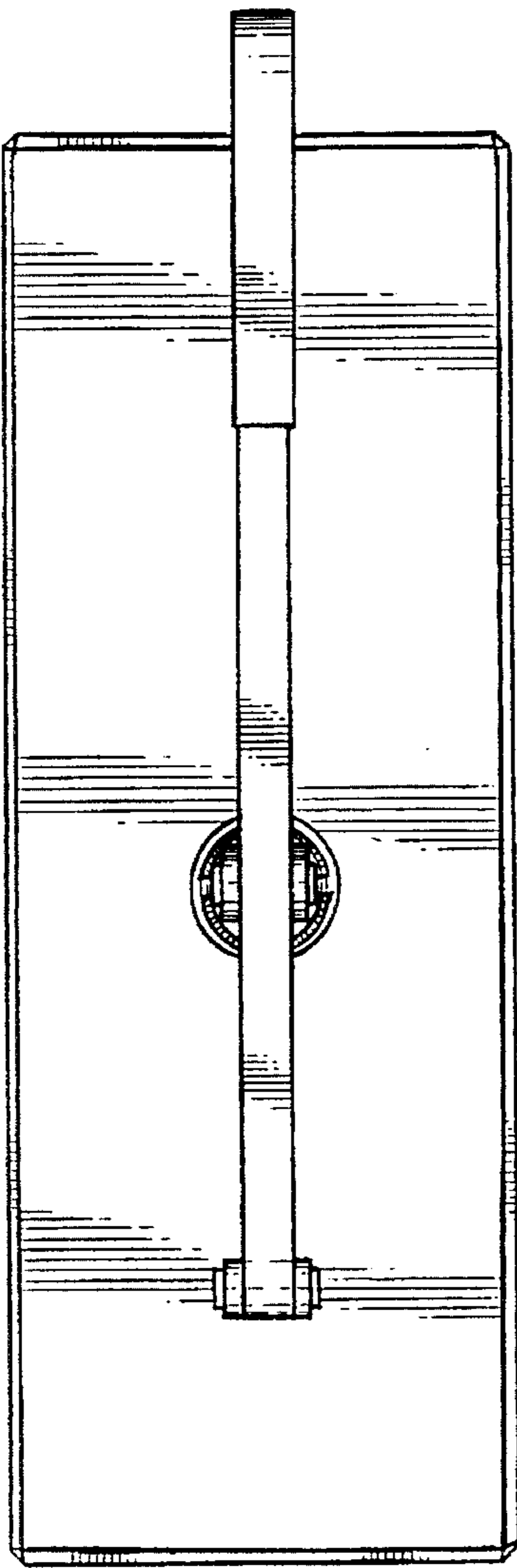


FIG. 5

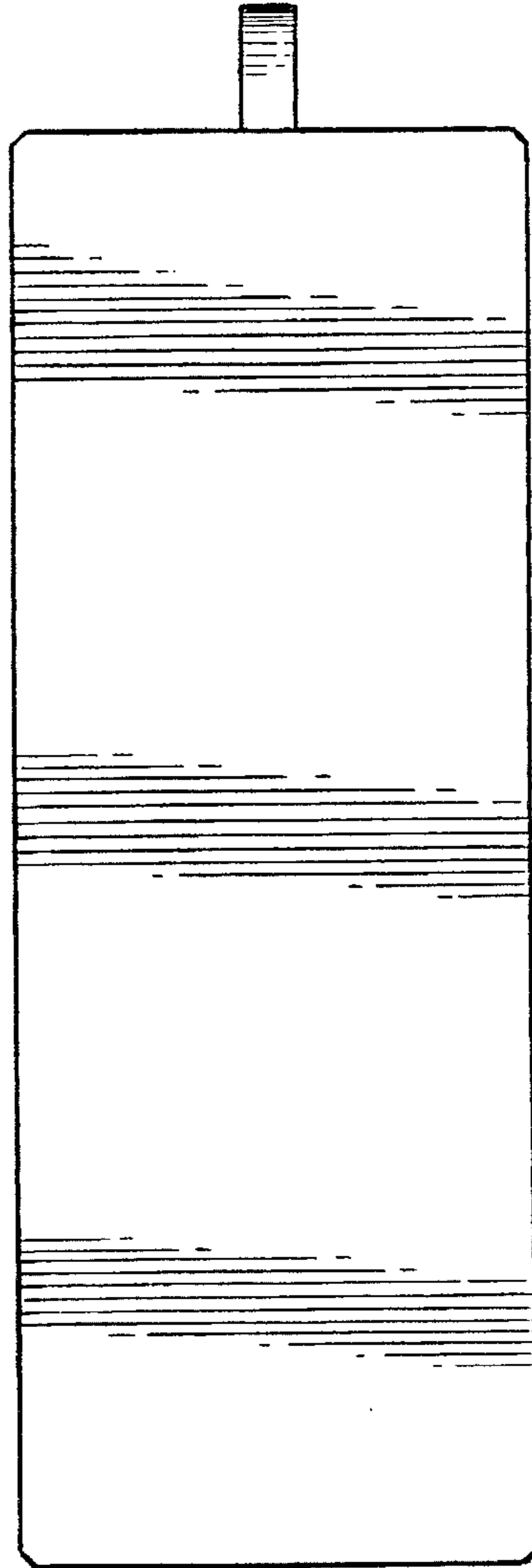


FIG. 6