



US00D367112S

**United States Patent** [19]  
**Mastropierro**

[11] **Patent Number: Des. 367,112**

[45] **Date of Patent: \*\*Feb. 13, 1996**

[54] **PACIFIER COVER**

[76] Inventor: **Daniel Mastropierro**, P.O. Box  
22-3182, Hollywood, Fla. 33022

[\*\*] Term: **14 Years**

[21] Appl. No.: **29,418**

[22] Filed: **Oct. 5, 1994**

[52] U.S. Cl. .... **D24/194**

[58] Field of Search ..... D24/194, 193;  
606/234, 235, 236

[56] **References Cited**

**U.S. PATENT DOCUMENTS**

D. 275,993	10/1984	Ryan et al. ....	D24/194
D. 299,534	1/1989	Mastropierro .....	D24/194
D. 335,184	4/1993	Mastropierro .....	D24/194
D. 336,338	6/1993	Selame .....	D24/194

*Primary Examiner*—Stella Reid  
*Attorney, Agent, or Firm*—Robert M. Schwartz

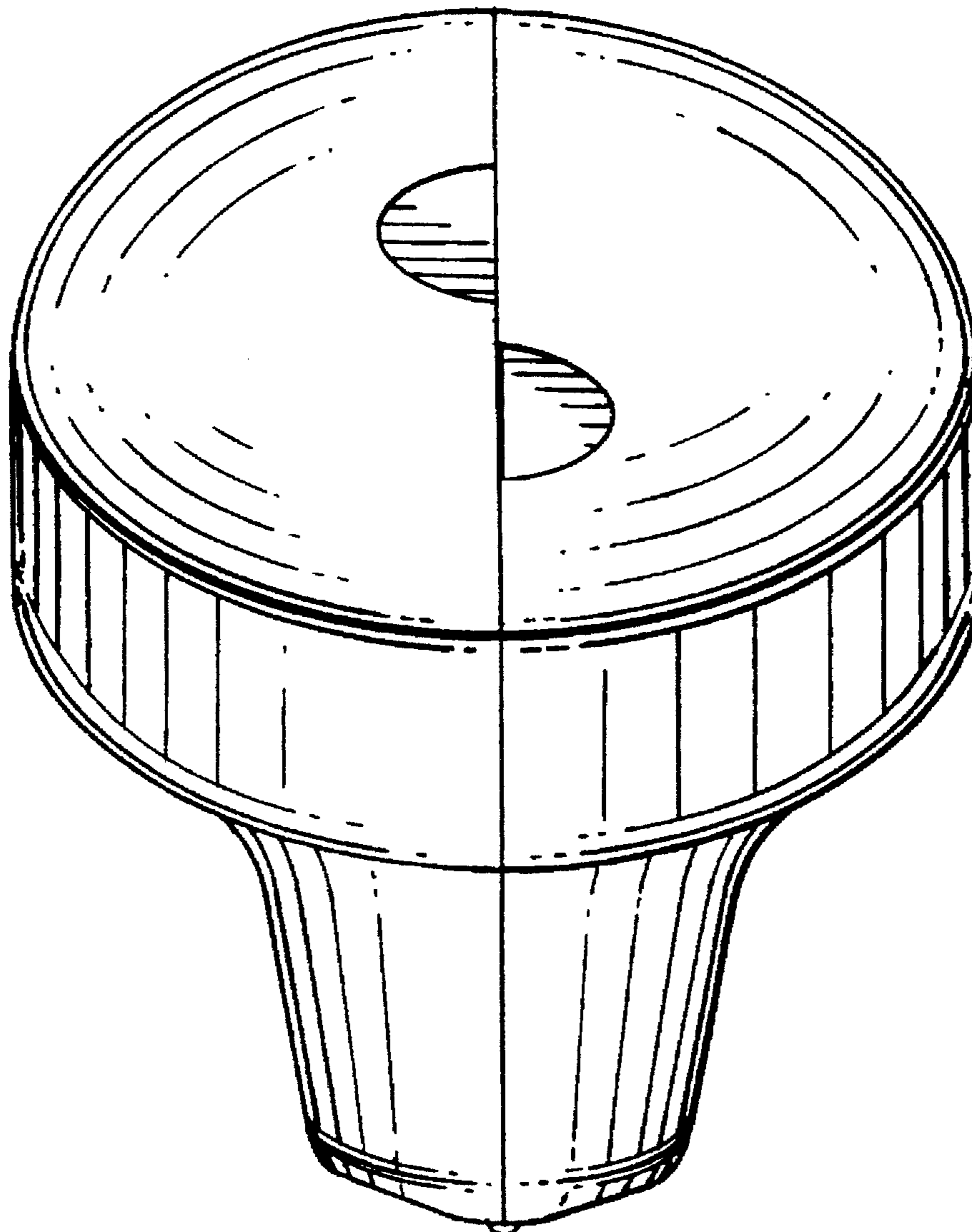
[57] **CLAIM**

The ornamental design for a pacifier cover, as shown and described.

**DESCRIPTION**

FIG. 1 is a top plan view of my pacifier cover, showing my new design in closed position;  
FIG. 2 is a front elevation view thereof;  
FIG. 3 is a bottom plan view thereof;  
FIG. 4 is an isometric view thereof;  
FIG. 5 is a side elevational view thereof in open position;  
FIG. 6 is a bottom plan view thereof; and,  
FIG. 7 is a side elevational view thereof, the opposite side of FIG. 5.

**1 Claim, 3 Drawing Sheets**



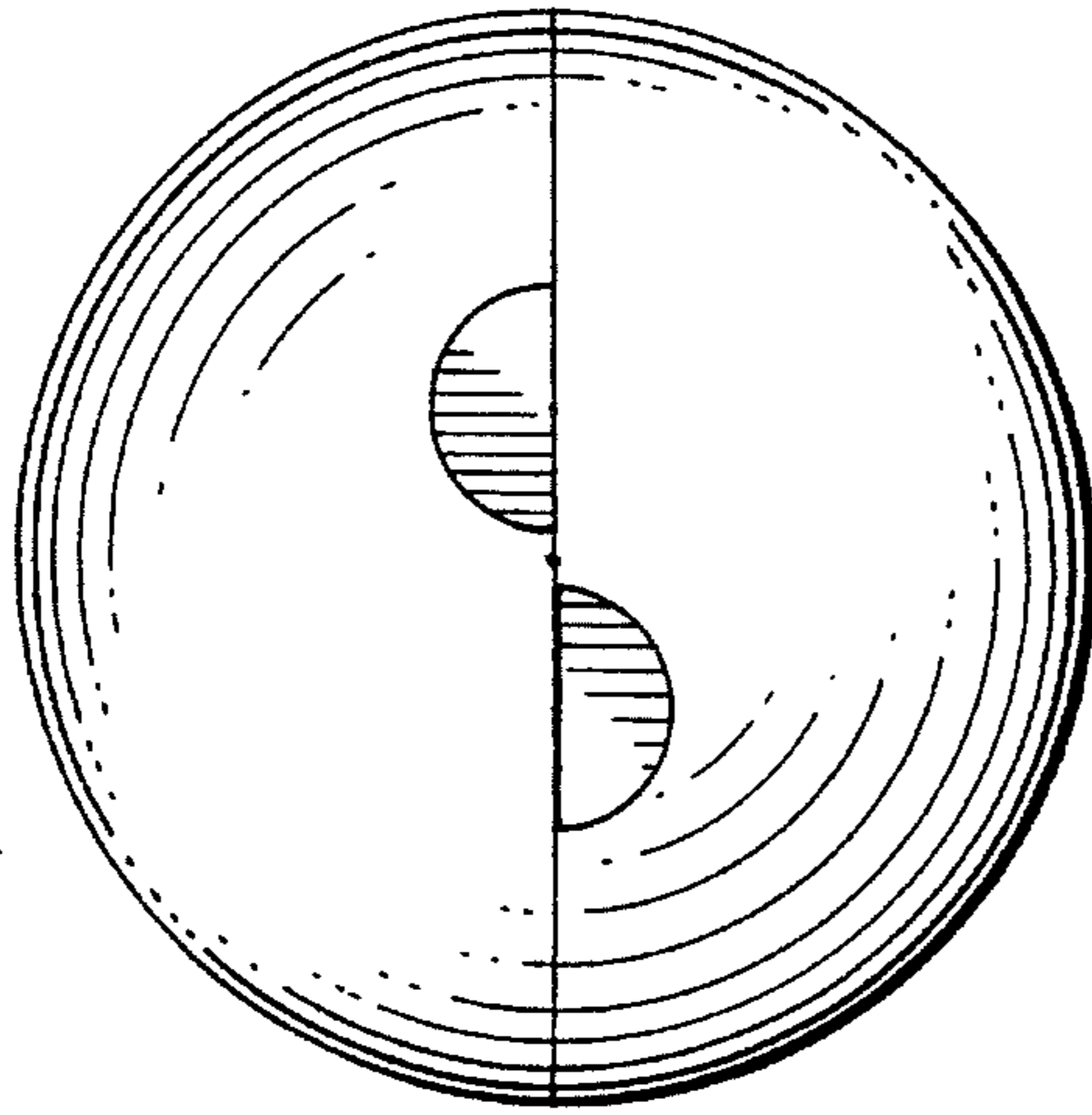


FIG. 1.

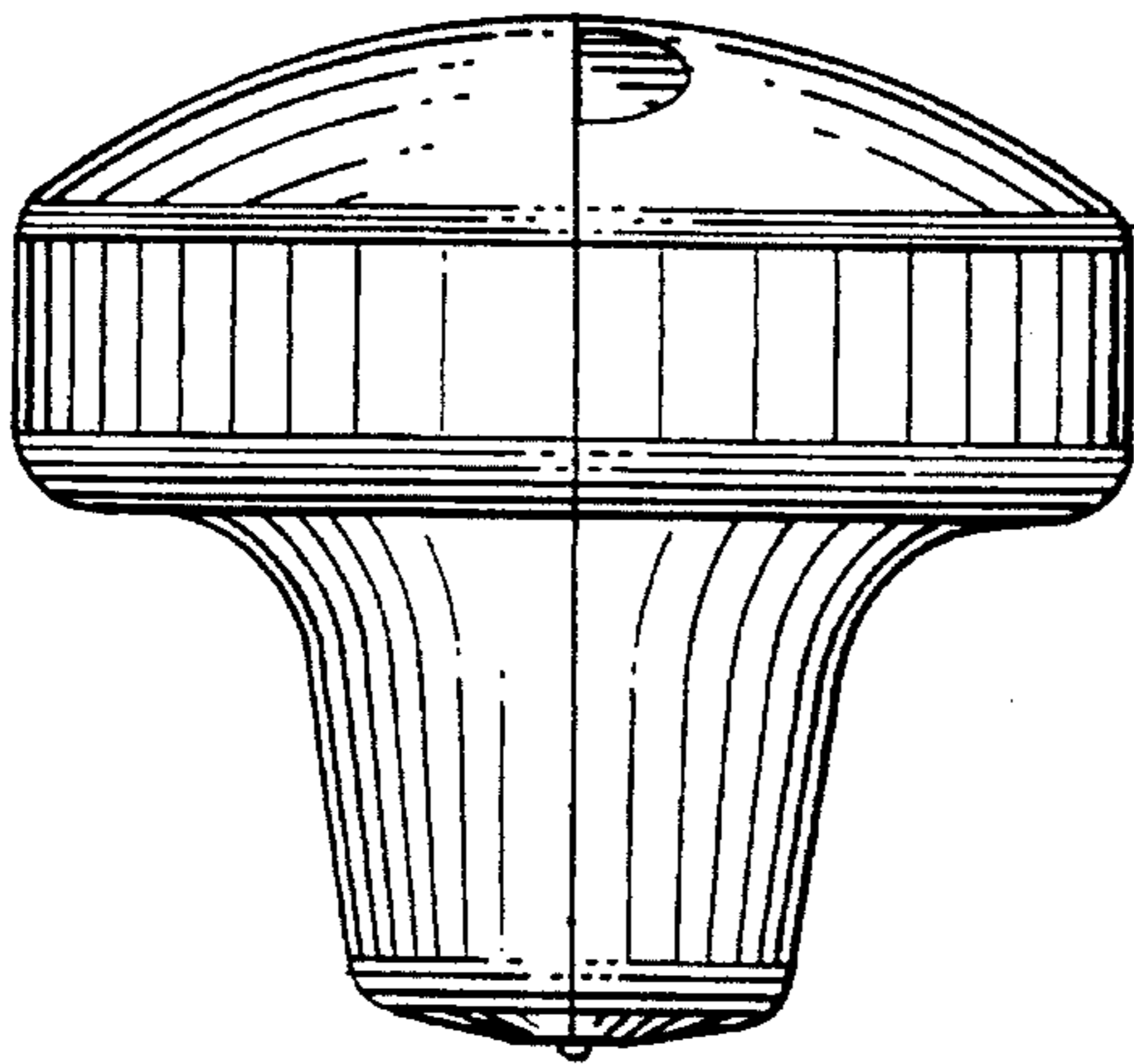


FIG. 2.

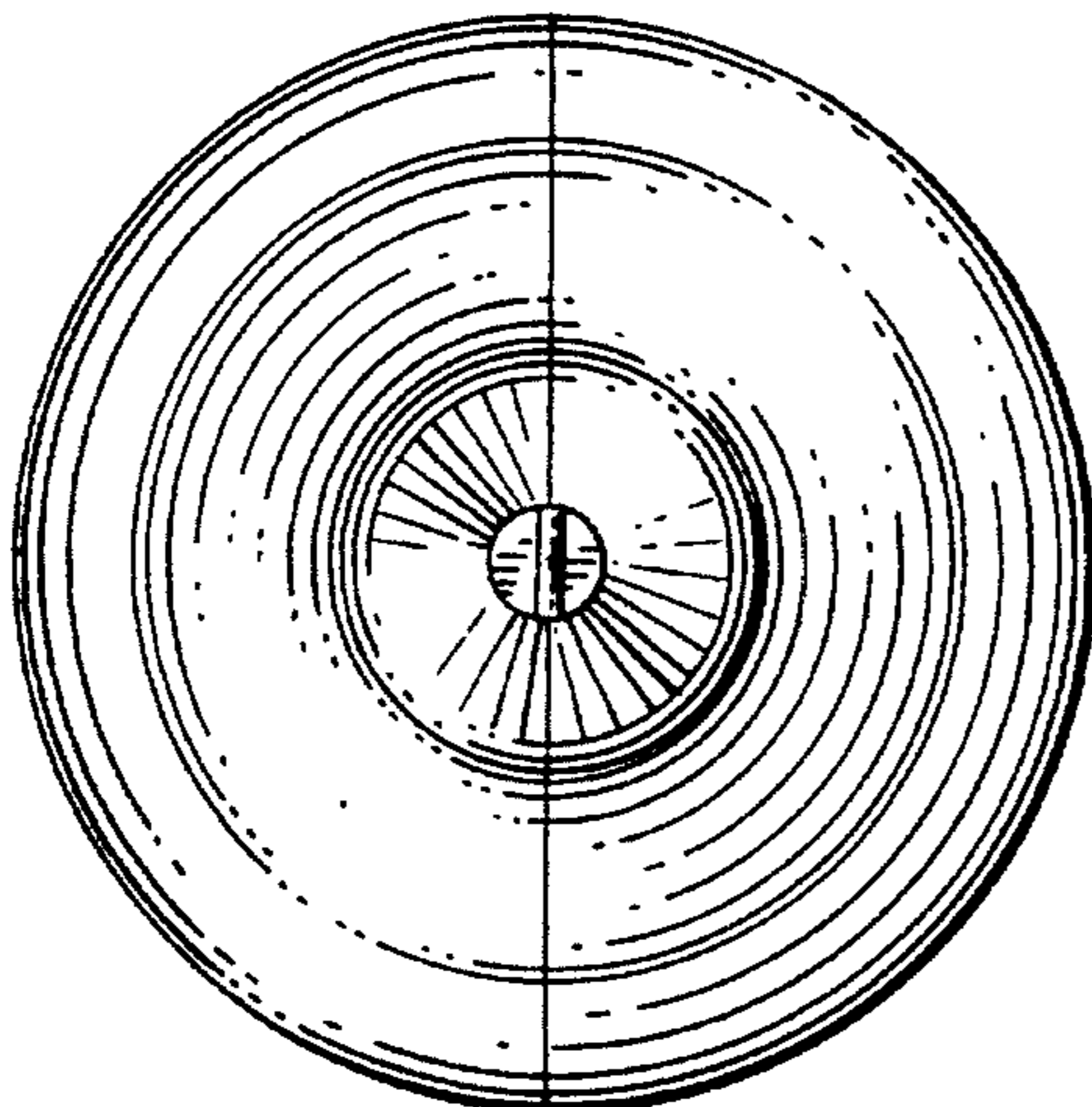


FIG. 3.

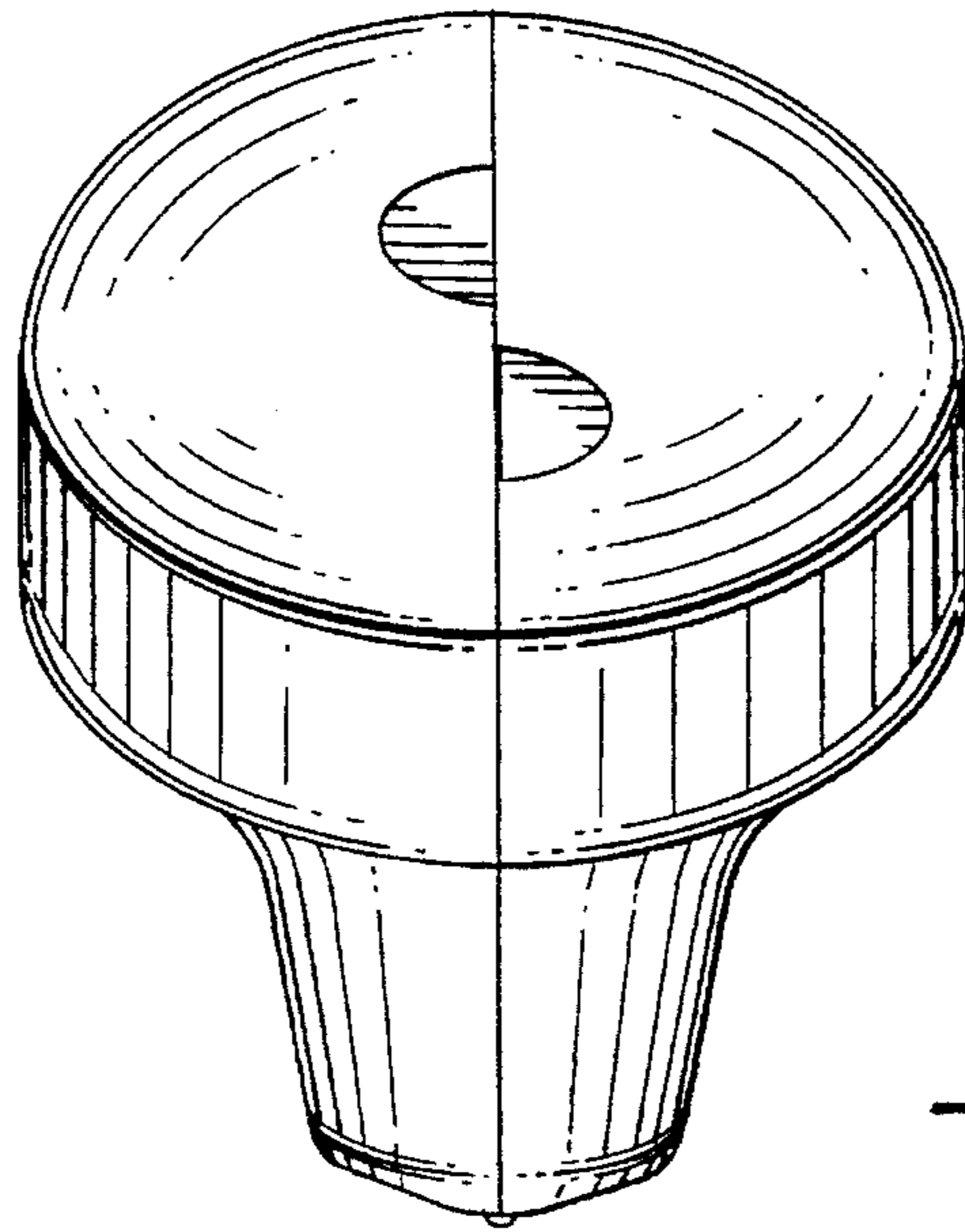


FIG. 4.

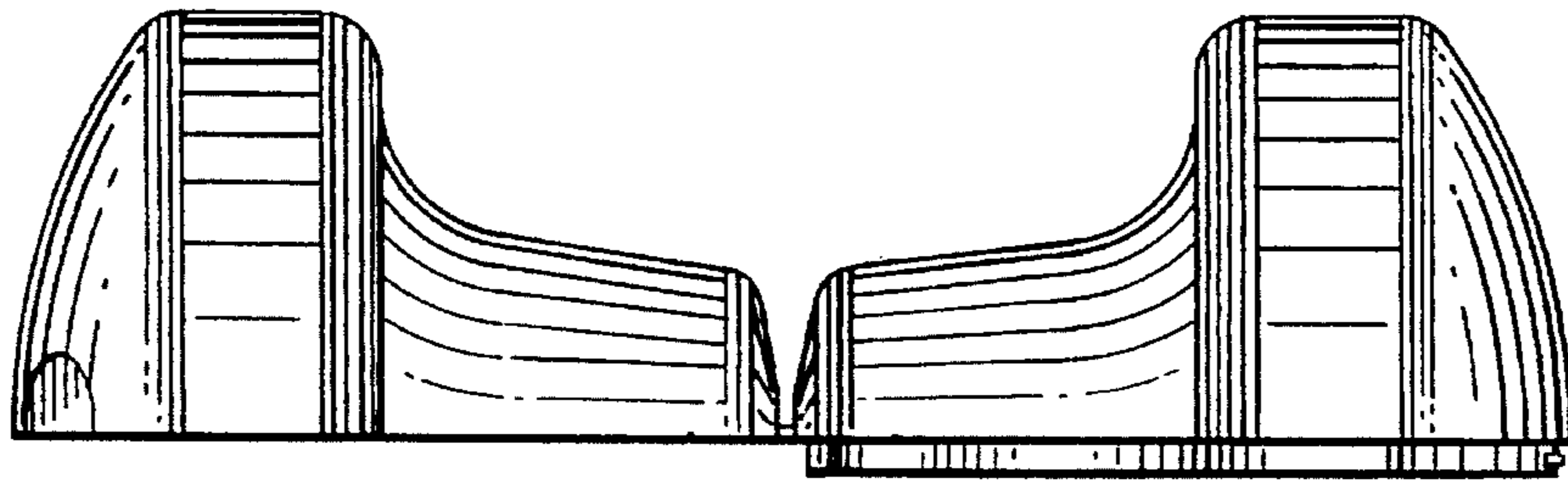


FIG. 5.

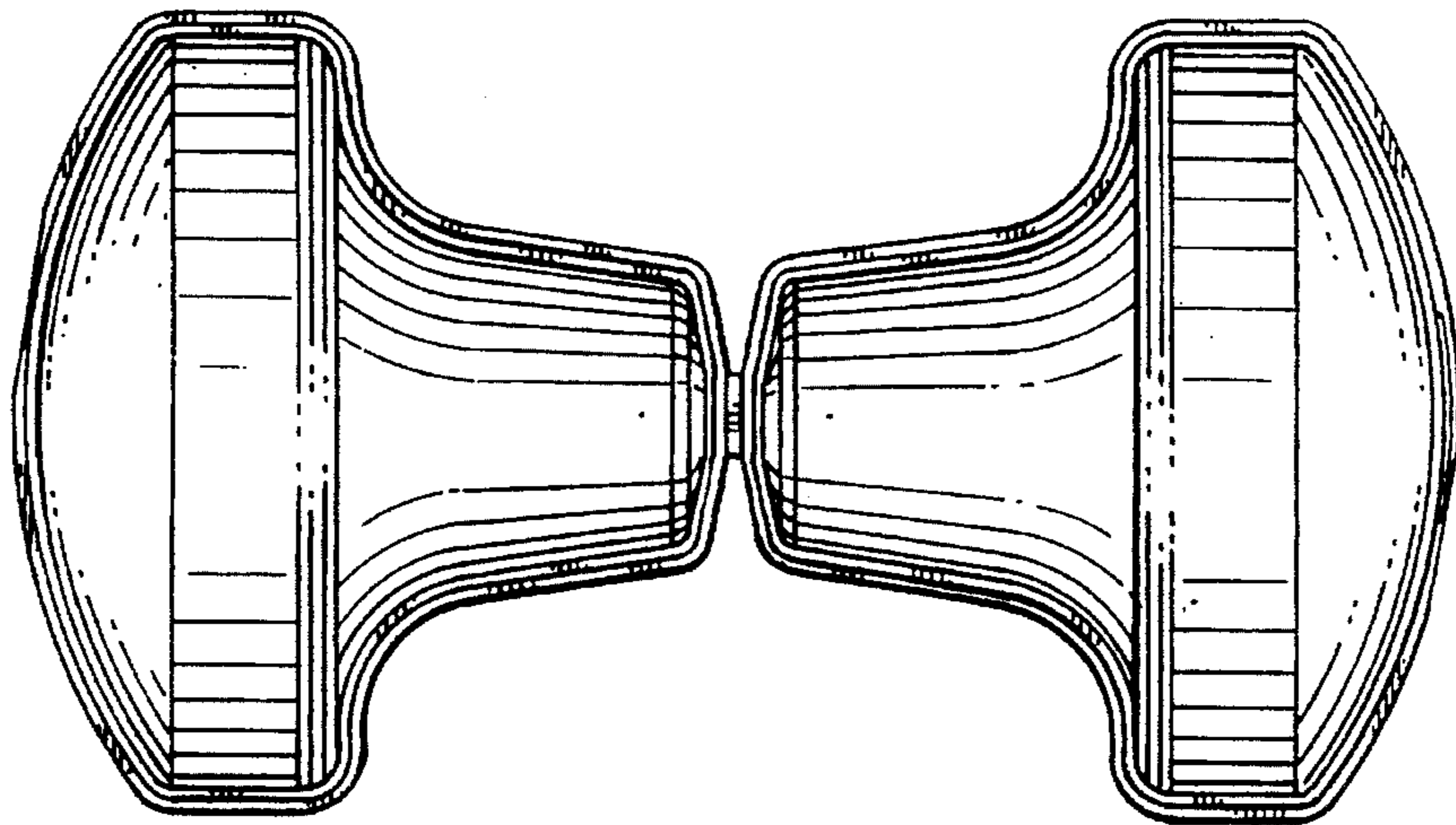


FIG. 6.

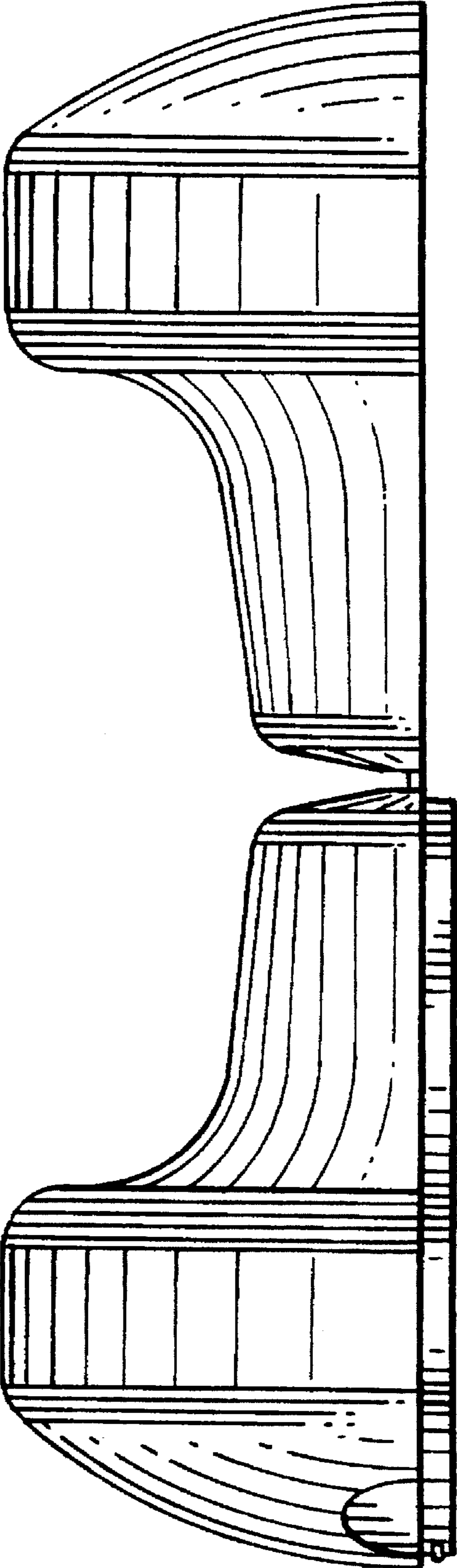


FIG. 2