



US00D367111S

# United States Patent [19]

[11] Patent Number: Des. 367,111

Peart et al.

[45] Date of Patent: \*\*Feb. 13, 1996

[54] WALL-MOUNTABLE ANEROID SPHYGMOMANOMETER WITH INTEGRAL CUFF STORAGE BASKET

[75] Inventors: Edward L. Peart; Donald R. McGlone, both of Arden, N.C.; Alan S. Knieriem, Baldwinsville; Deborah A. Laun, Syracuse, both of N.Y.

[73] Assignee: Welch Allyn, Inc., Skaneateles Falls, N.Y.

[\*\*] Term: 14 Years

[21] Appl. No.: 26,474

[22] Filed: Jul. 28, 1994

[52] U.S. Cl. .... D24/166

[58] Field of Search ..... D24/166, 165; 128/670, 906, 672, 674, 675; 211/190, 94, 13, 26, 162, 163; 248/245, 297.2; 206/571

## [56] References Cited

### U.S. PATENT DOCUMENTS

D. 267,038	11/1982	Koshino	.....	D24/166
D. 299,060	12/1988	Muller	.....	D24/166
4,175,547	11/1979	Kurihara	.....	D24/166 X
4,212,392	7/1980	McKenzie	.....	206/571
4,523,683	6/1985	Fullenkamp et al.	.....	211/190

Primary Examiner—Stella Reid

Attorney, Agent, or Firm—Harris Beach & Wilcox

## [57] CLAIM

The ornamental design for a wall-mountable aneroid sphygmomanometer with integral cuff storage basket, as shown and described.

## DESCRIPTION

FIG. 1 is a perspective view illustrating our new design for a wall-mountable aneroid sphygmomanometer with an integral cuff storage basket, this view being taken from the rear of our sphygmomanometer;

FIG. 2 is a front elevation view thereof;

FIG. 3 is a rear elevation view of our new wall-mountable aneroid sphygmomanometer with integral cuff storage basket design;

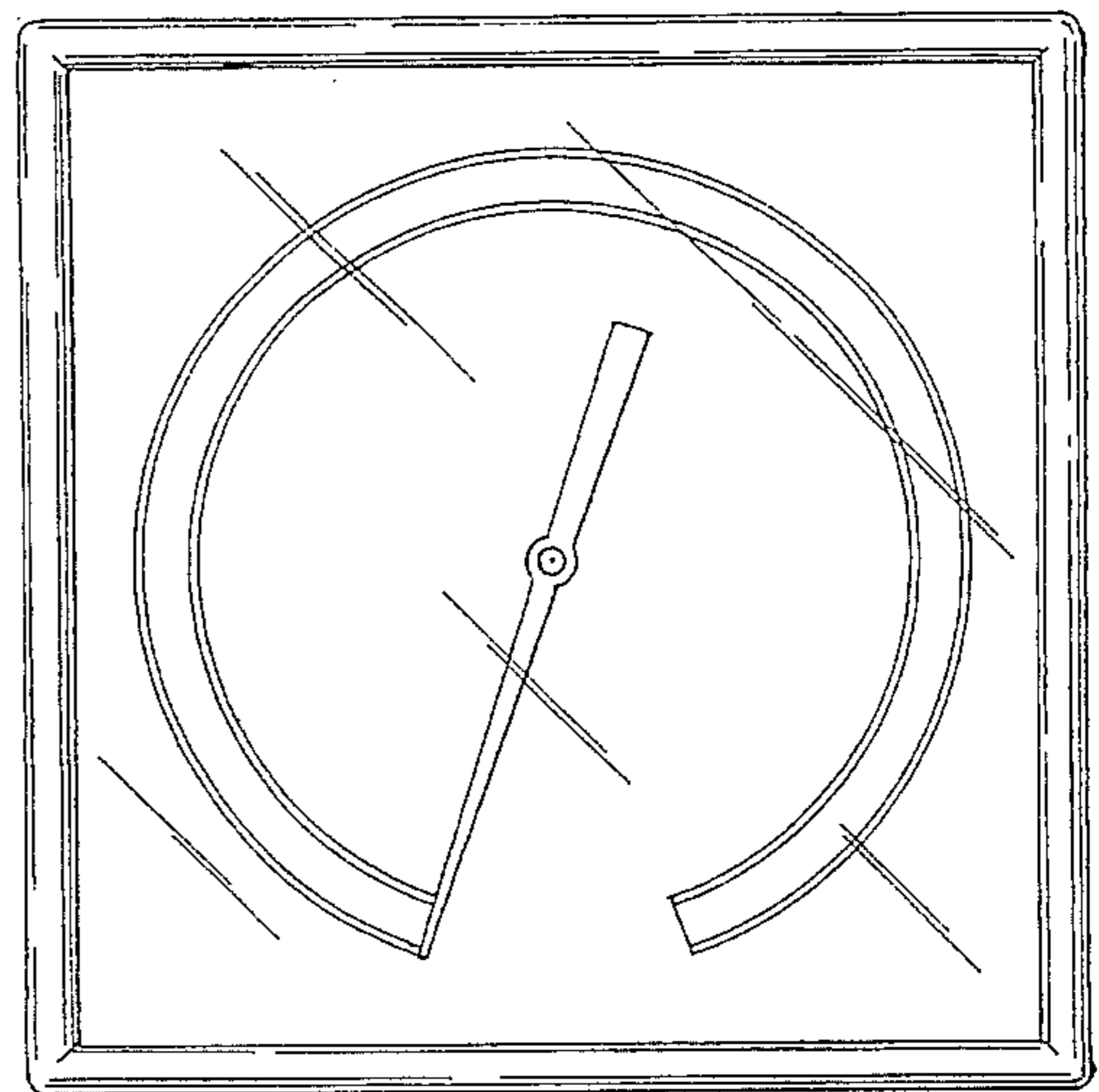
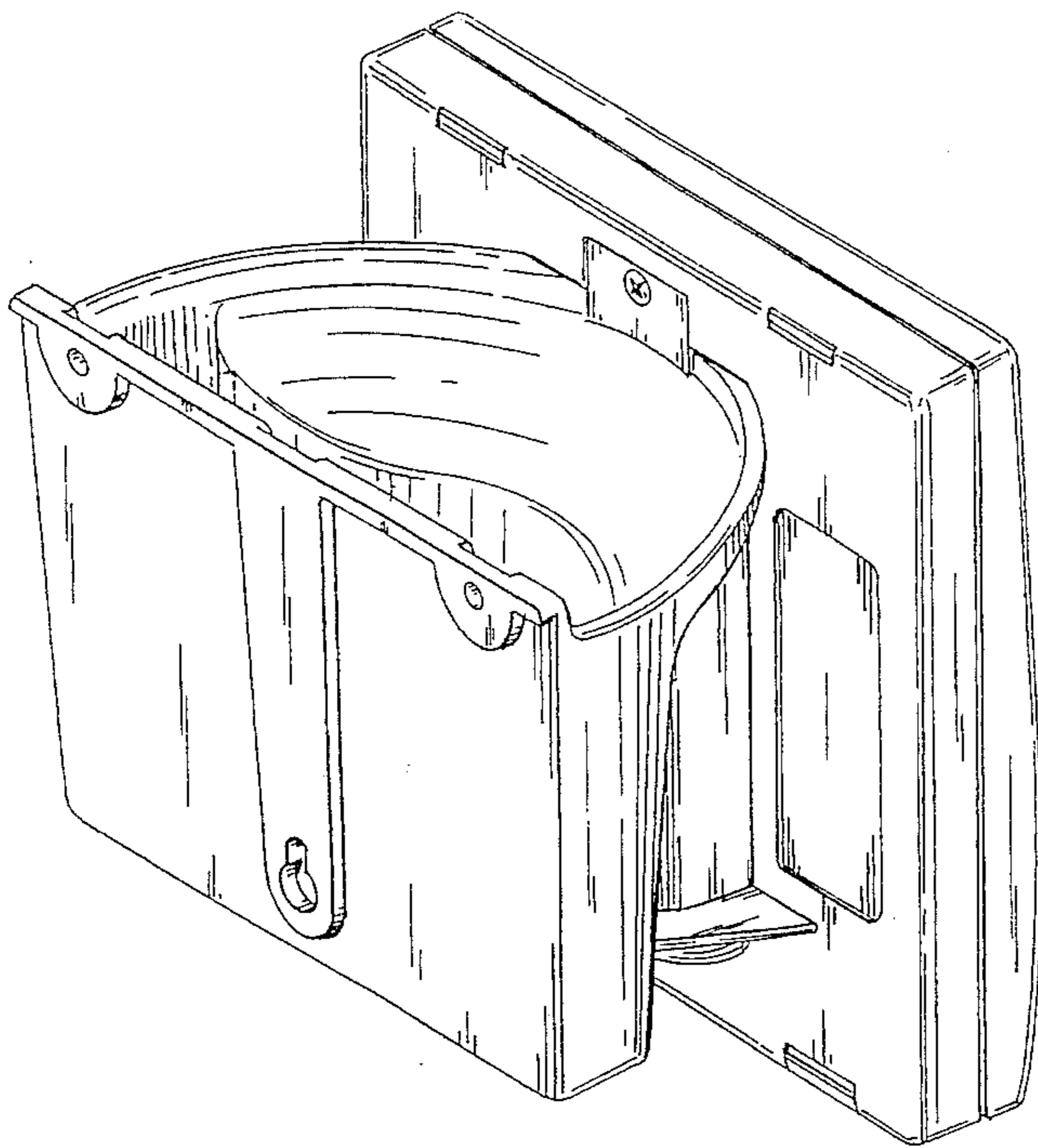
FIG. 4 is a right side elevation view thereof;

FIG. 5 is a left side elevation view of our wall-mountable aneroid sphygmomanometer design including the integral cuff storage basket;

FIG. 6 is a top view of the wall-mountable aneroid sphygmomanometer incorporating our new design, this view showing one side of a bottom surface of the integral cuff storage basket thereof; and,

FIG. 7 is a bottom view of the wall-mountable aneroid sphygmomanometer illustrating our new design, this view showing another side of the bottom surface of the integral cuff storage basket thereof.

1 Claim, 4 Drawing Sheets



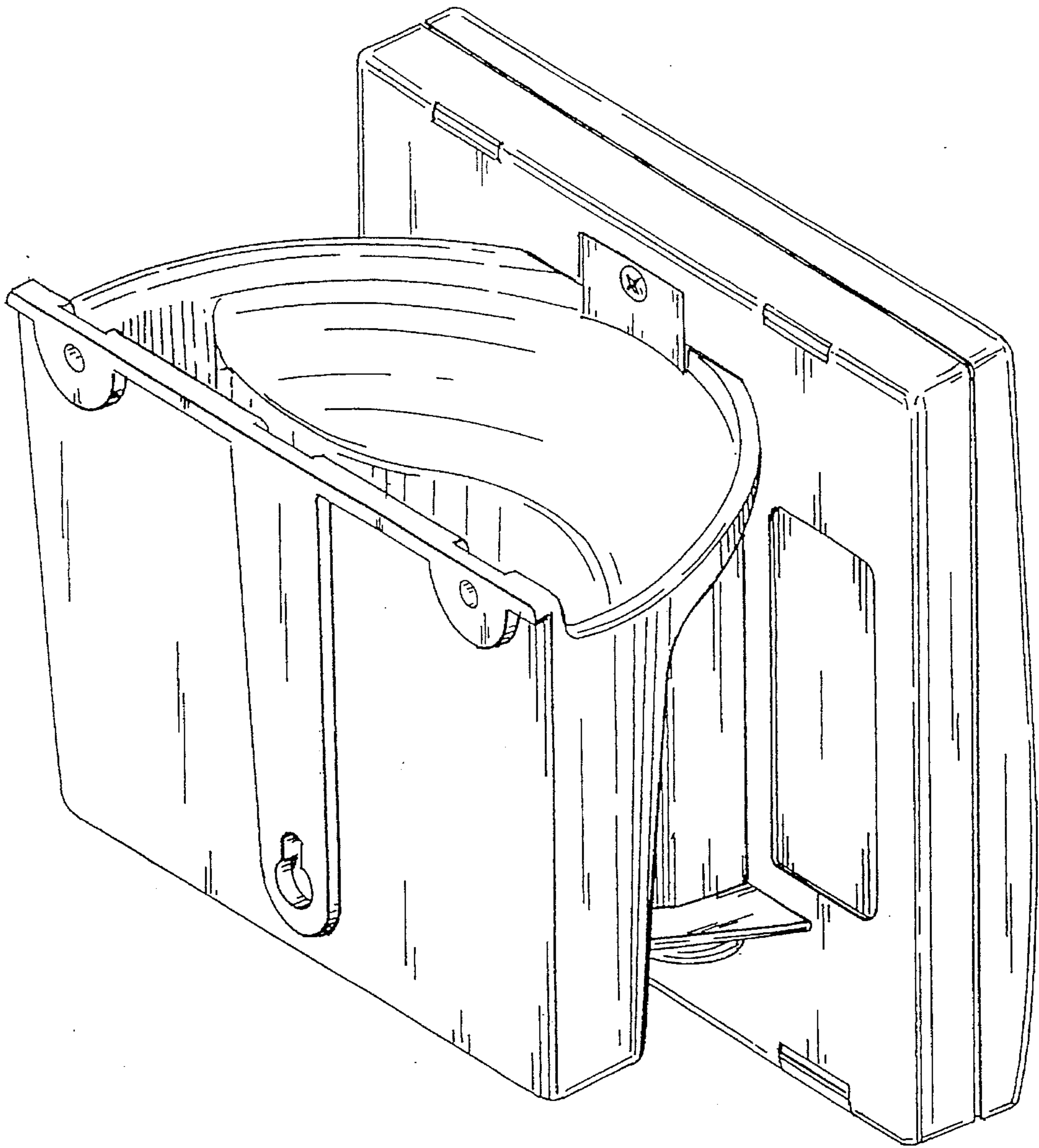


FIG. 1

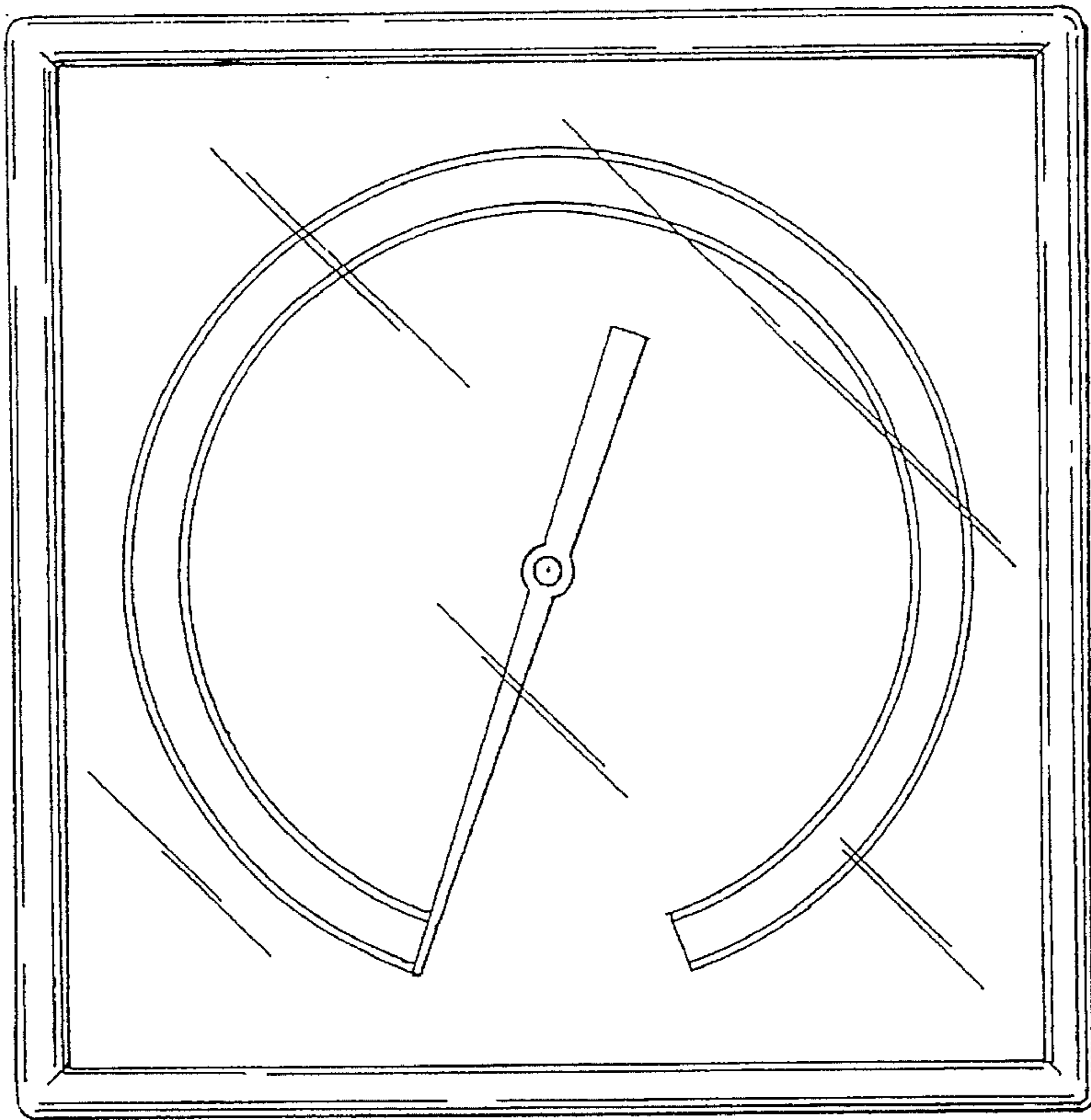


FIG. 2

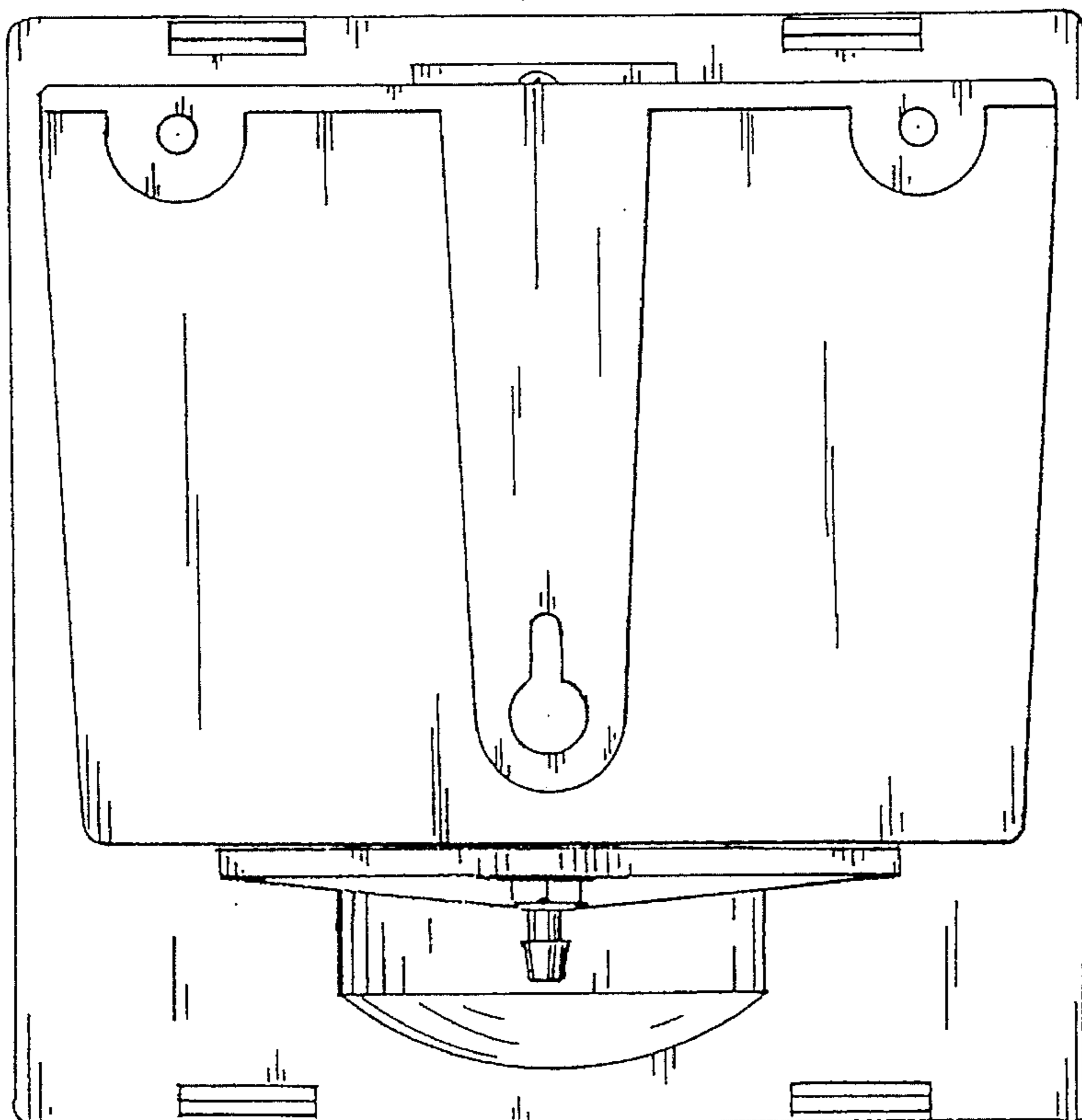


FIG. 3

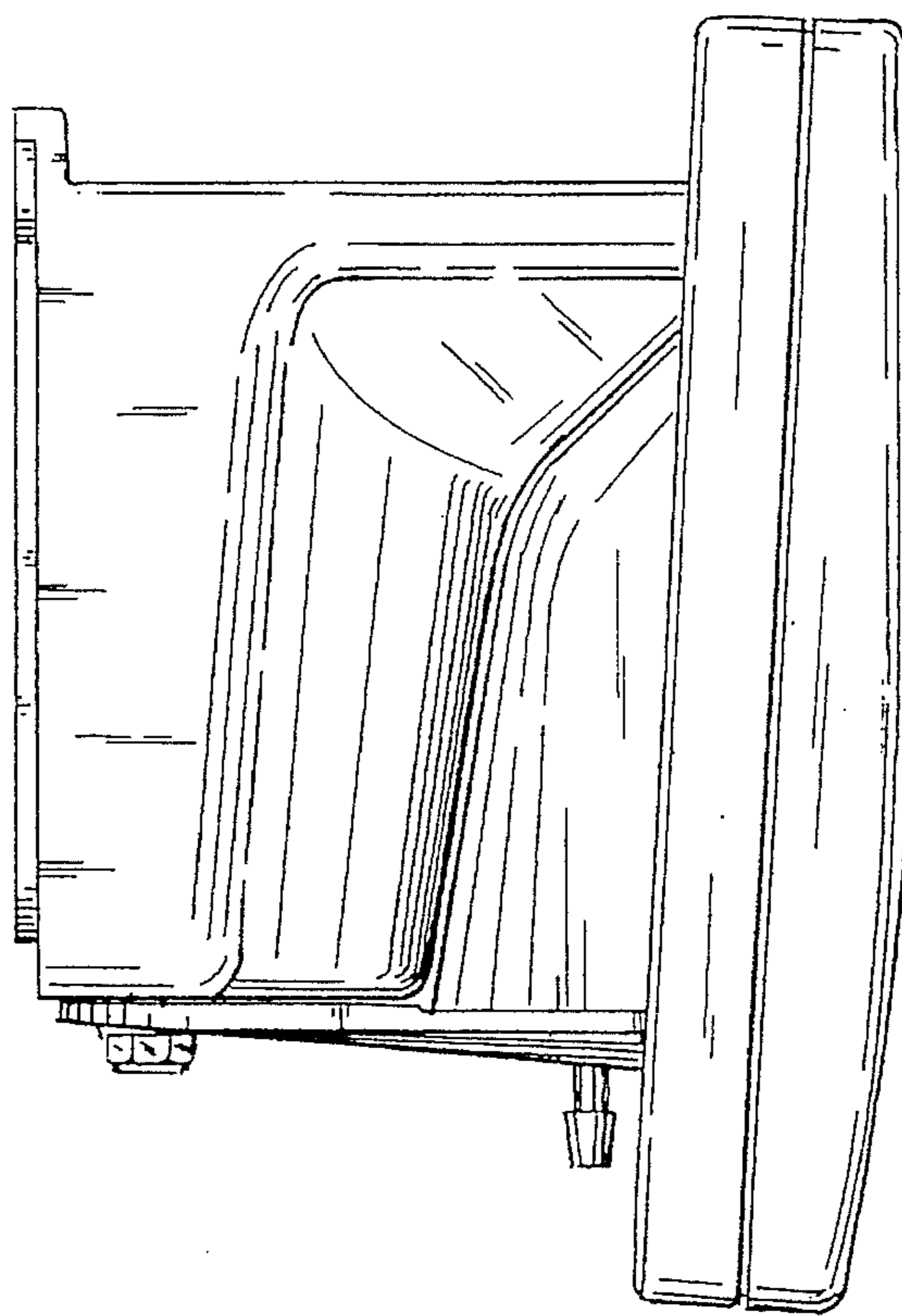


FIG. 4

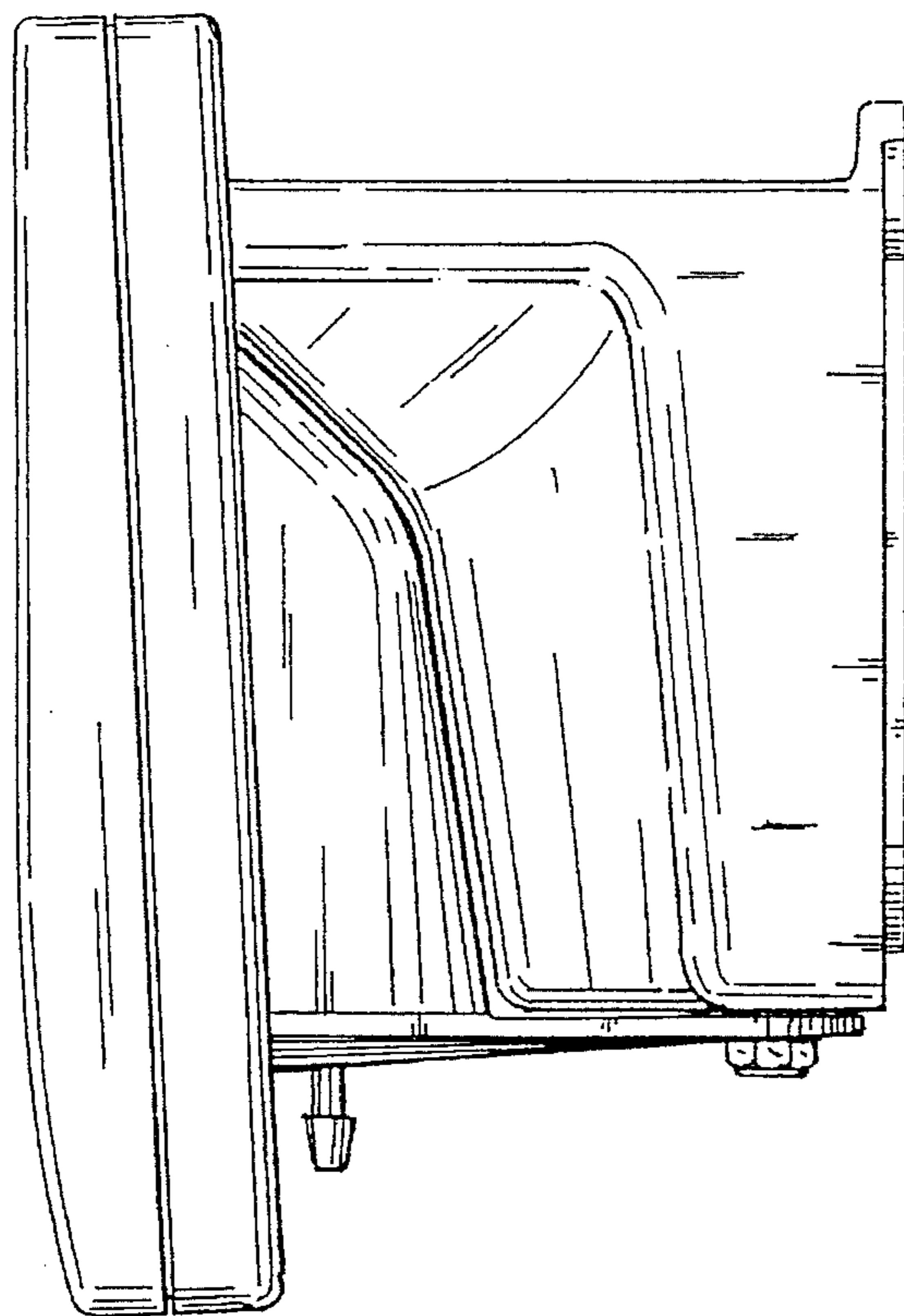


FIG. 5

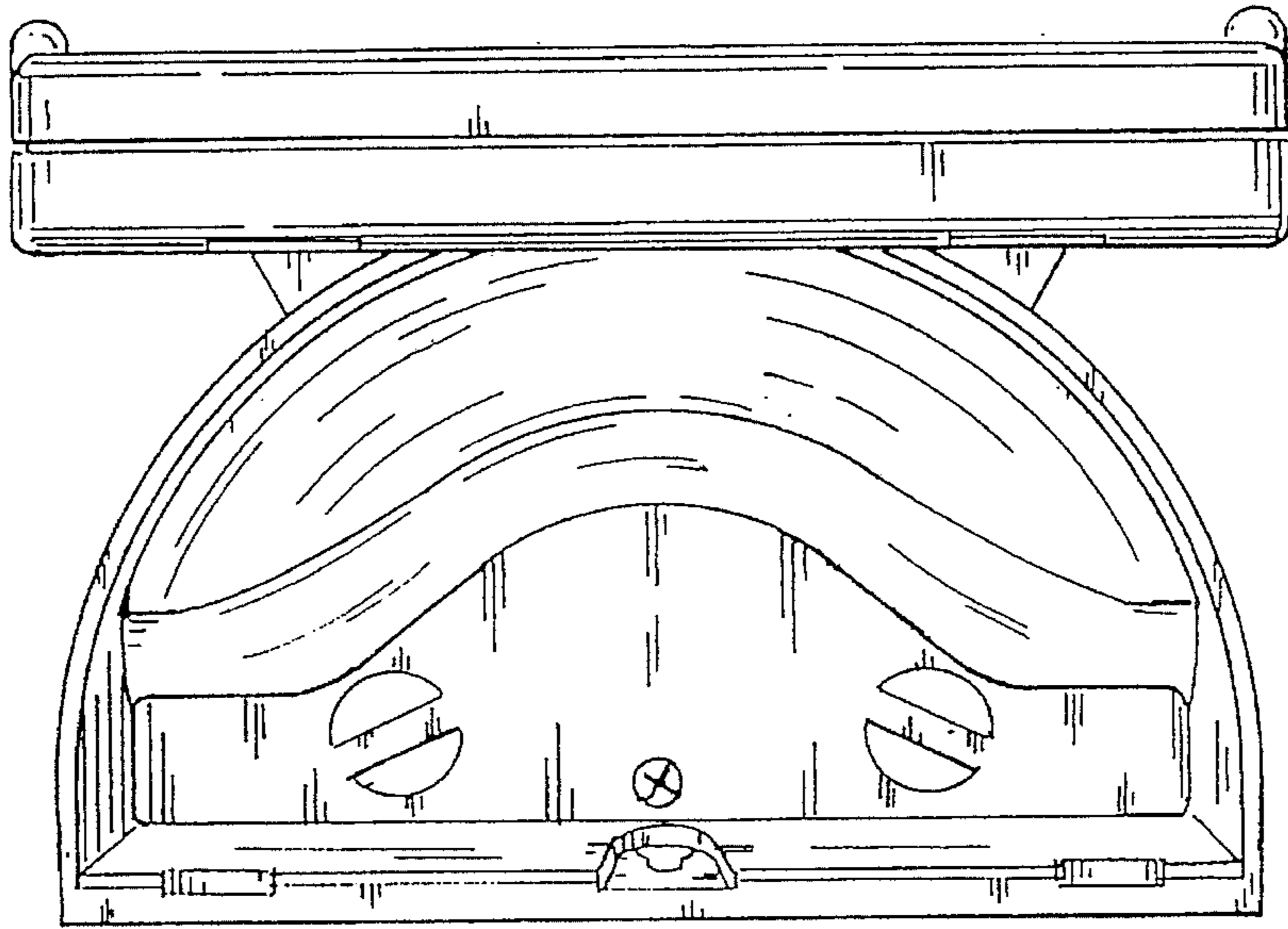


FIG. 6

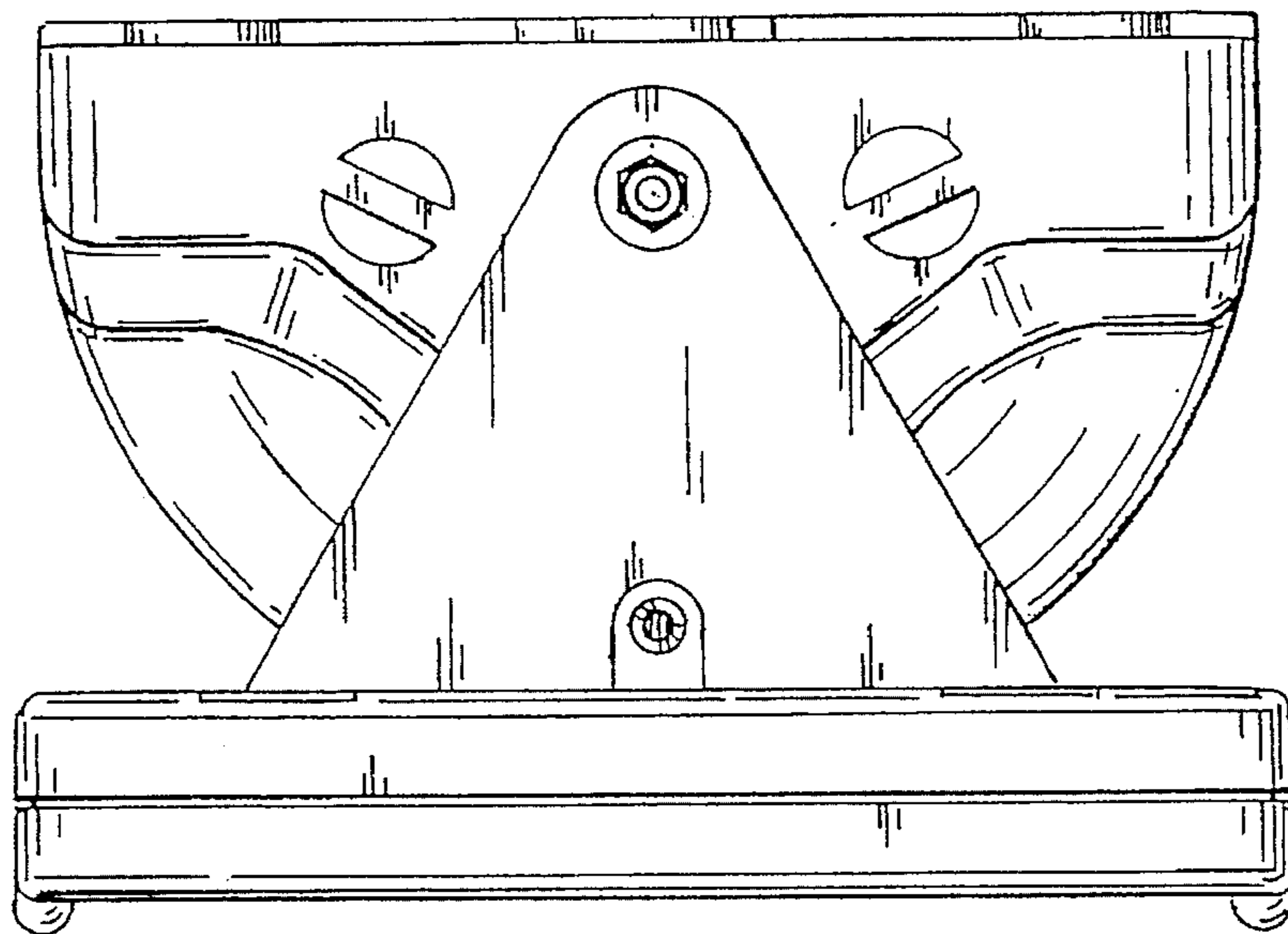


FIG. 7