



US00D367110S

# United States Patent [19]

Cotter

[11] Patent Number: **Des. 367,110**

[45] Date of Patent: **\*\*Feb. 13, 1996**

[54] **BLOOD COLLECTOR**

[76] Inventor: **Robert F. Cotter**, 80 Seabury Point Rd., Duxbury, Mass. 02332

[\*\*] Term: **14 Years**

[21] Appl. No.: **23,163**

[22] Filed: **May 19, 1994**

[52] U.S. Cl. .... **D24/118**; D24/108; D24/111; D24/109

[58] **Field of Search** ..... D24/108, 118, D24/121, 164, 167, 169; 604/40, 317, 319, 408, 360, 403, 405, 4, 7, 5, 318; D9/500

[56] **References Cited**

**U.S. PATENT DOCUMENTS**

D. 336,514	6/1993	Valerio et al. ....	D24/169 X
4,955,877	9/1990	Kurtz et al. ....	D24/169 X
5,160,333	11/1992	Wells ....	604/317 X
5,207,638	5/1993	Choksi et al. ....	604/4

*Primary Examiner*—Louis S. Zarfes  
*Assistant Examiner*—I. Simmons  
*Attorney, Agent, or Firm*—Donald Brown

[57] **CLAIM**

The ornamental design for blood collector, as shown and described.

**DESCRIPTION**

FIG. 1 is a perspective view of the blood collector showing my new design;

FIG. 2 is a top view showing my new design;

FIG. 3 is a front view of the blood collector showing my new design, the rear view being a mirror image of the front view;

FIG. 4 is a left side view taken from the left end of FIG. 2, the right side view being a mirror image of the left side view; and,

FIG. 5 is a bottom view of my design.

**1 Claim, 1 Drawing Sheet**

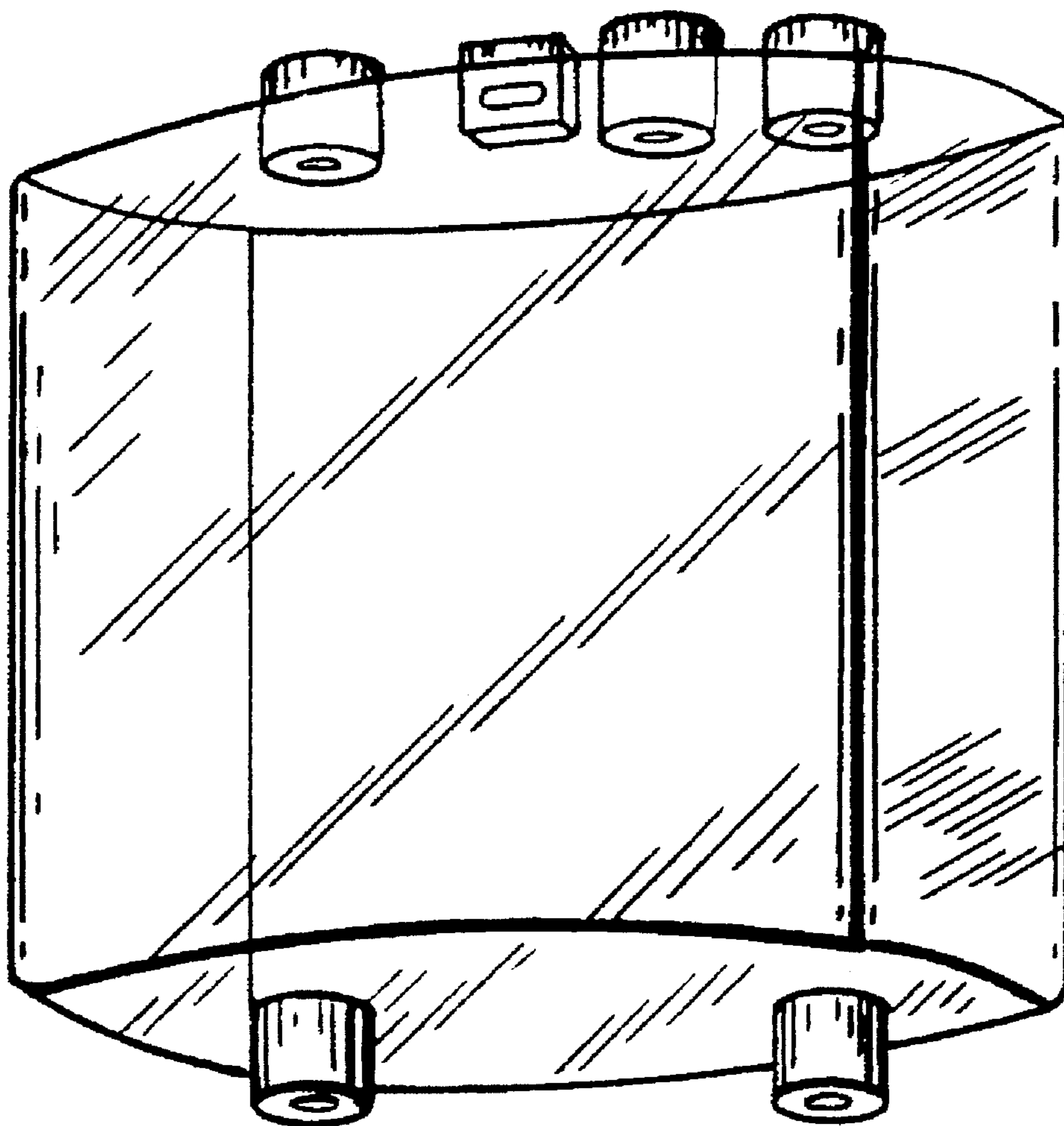


FIG. 1

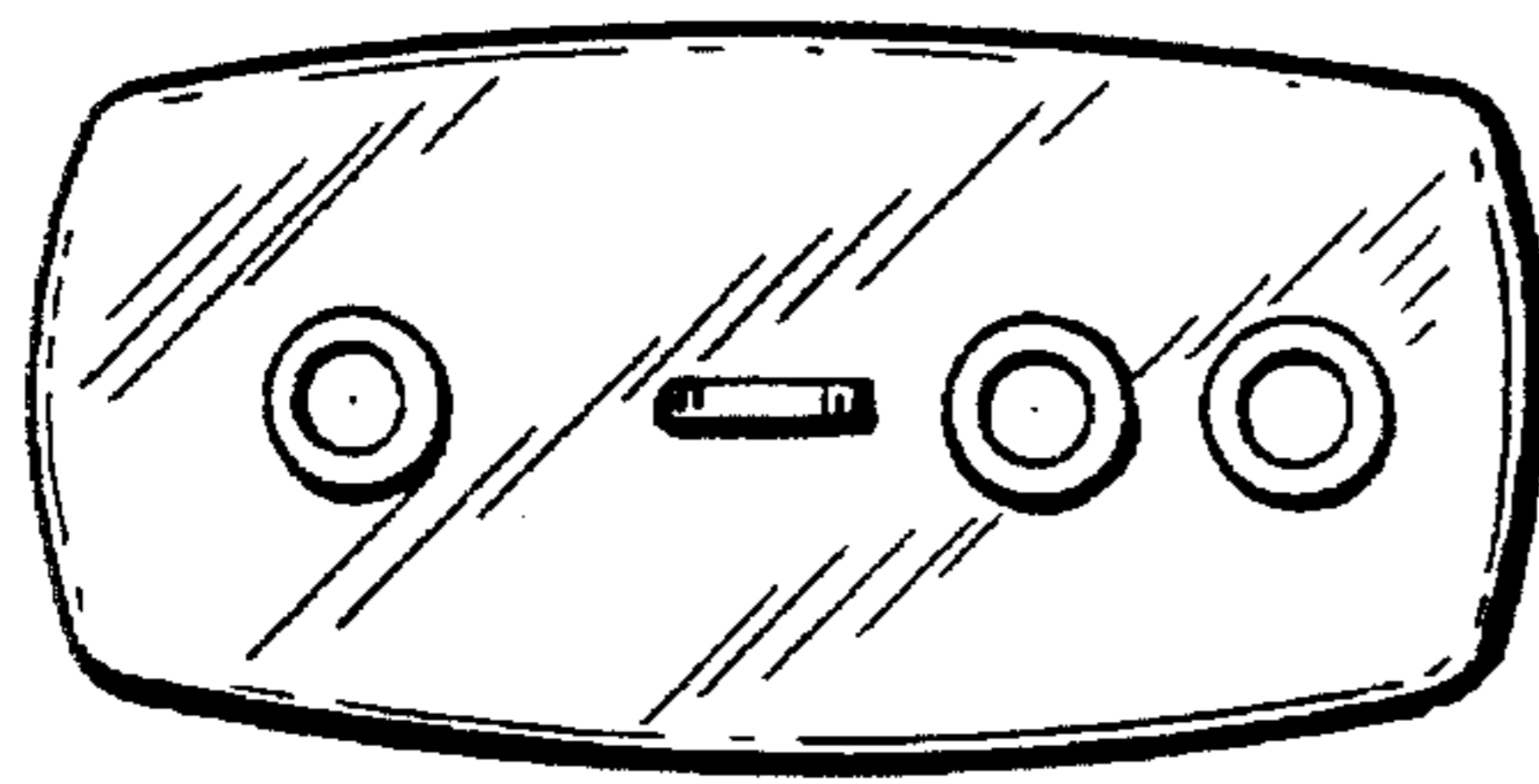
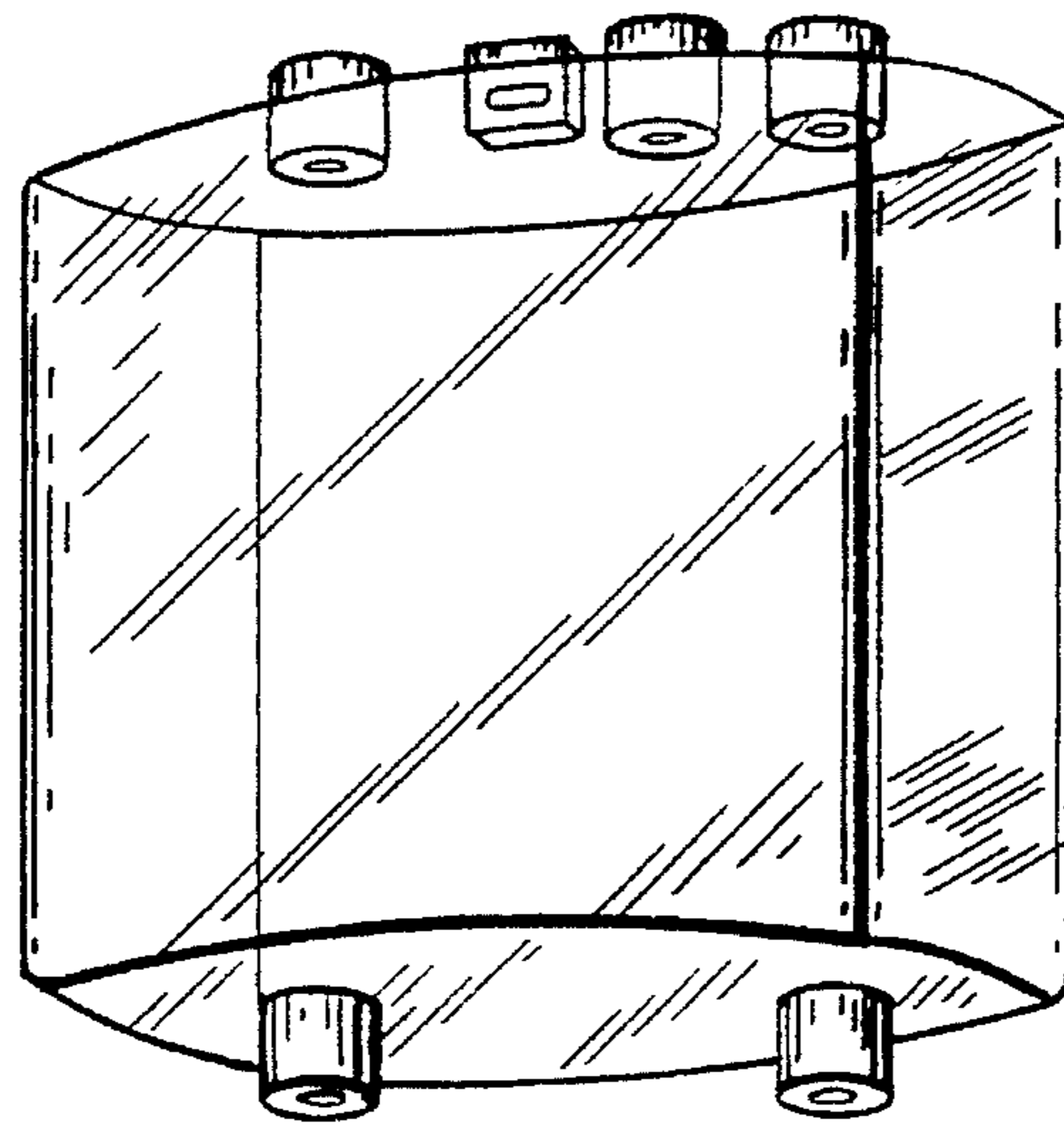


FIG. 2

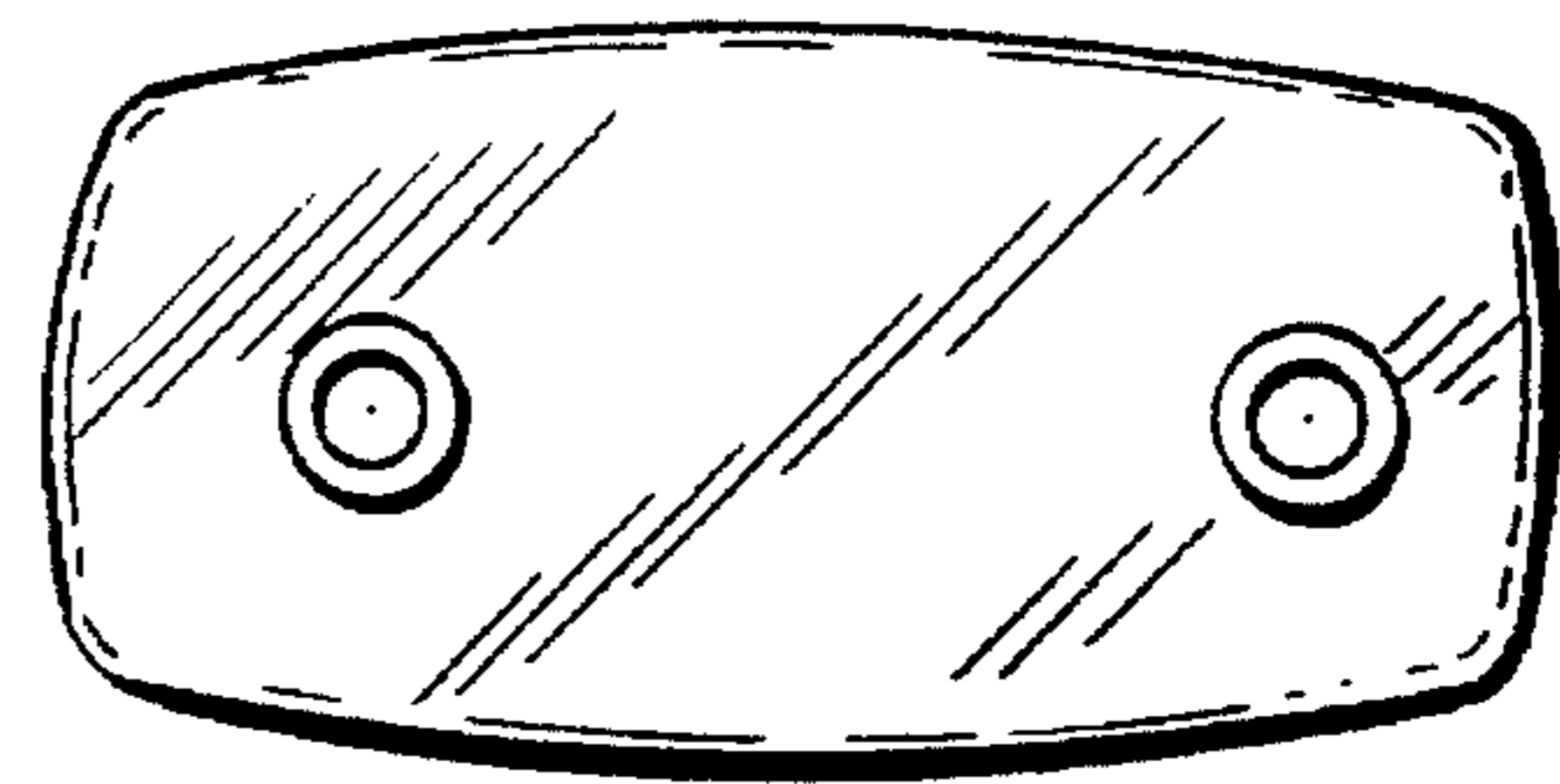


FIG. 5

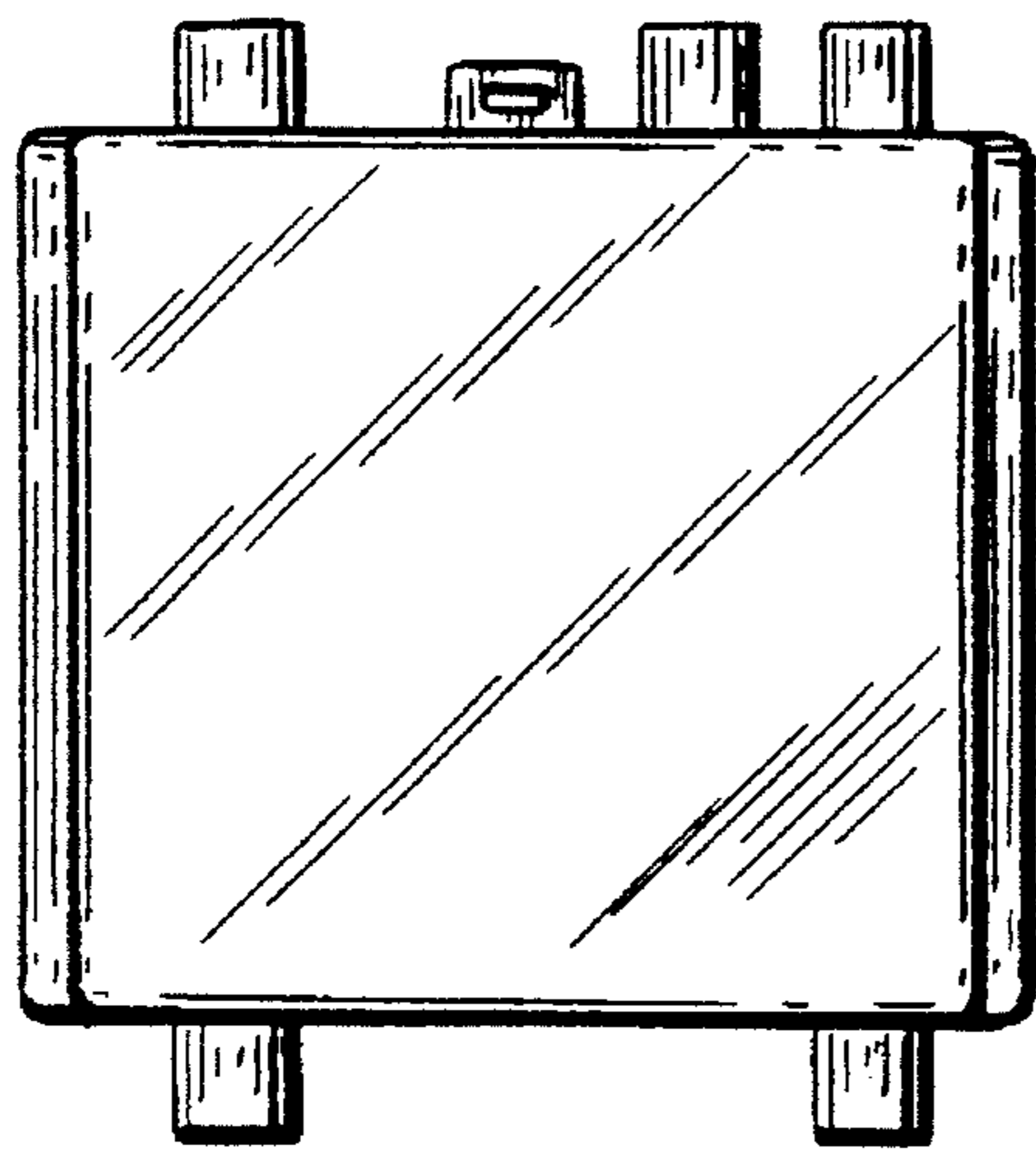


FIG. 3

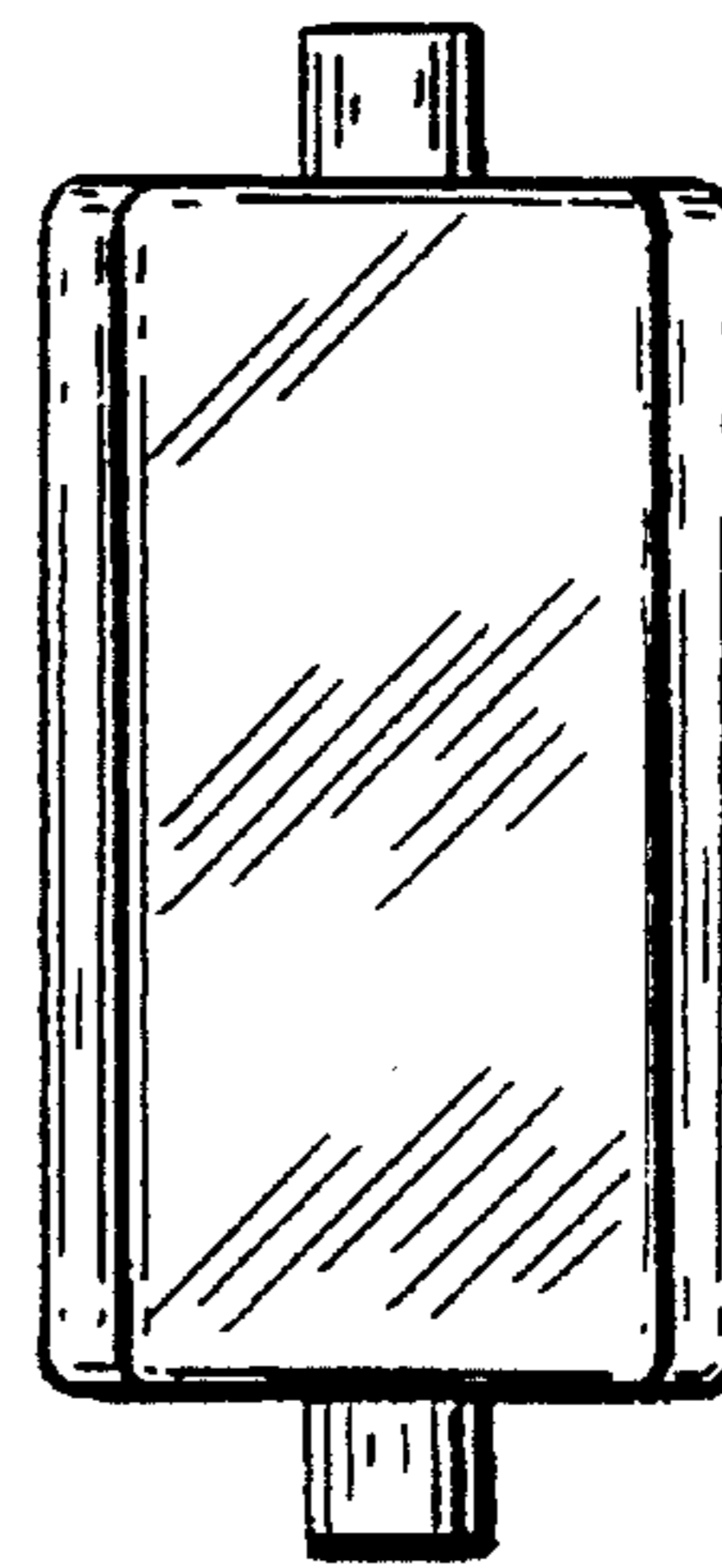


FIG. 4