



US00D367109S

United States Patent [19]

[11] Patent Number: **Des. 367,109**

Ryner et al.

[45] Date of Patent: ****Feb. 13, 1996**

[54] **TEST STRIP HOLDER**

D. 342,575 12/1993 Ashihara et al. D24/224
4,934,817 6/1990 Gassenhuber 356/446

[75] Inventors: **Michael C. Ryner**, Brentwood; **Donna L. Savage**, Campbell; **Paul Montgomery**, San Francisco; **Lorin P. Olson**, Scotts Valley, all of Calif.

Primary Examiner—Antoine Duval Davis

[73] Assignee: **LifeScan, Inc.**, Mountain View, Calif.

[57] **CLAIM**

[**] Term: **14 Years**

The ornamental design for a test strip holder, as shown and described.

[21] Appl. No.: **33,963**

DESCRIPTION

[22] Filed: **Jan. 24, 1995**

[52] U.S. Cl. **D24/224**

[58] **Field of Search** D10/103; D24/216,
D24/224-226; 356/446, 244; 422/55, 56,
63, 64, 66, 67, 68.01; 436/43-55, 169,
446

FIG. 1 is a perspective view, as seen from the top, front and right side of the test strip holder, showing our new design; FIG. 2 is a front elevational view thereof; FIG. 3 is a rear elevational view thereof; FIG. 4 is a top plan view thereof; FIG. 5 is a right side elevational view thereof, the left side elevation being a mirror image; FIG. 6 is a bottom plan view thereof; and, FIG. 7 is a perspective view shown for environmental purposes wherein the broken lines do not constitute a part of the claimed design.

[56] **References Cited**

U.S. PATENT DOCUMENTS

D. 341,663 11/1993 Coulter D24/224 X

1 Claim, 3 Drawing Sheets

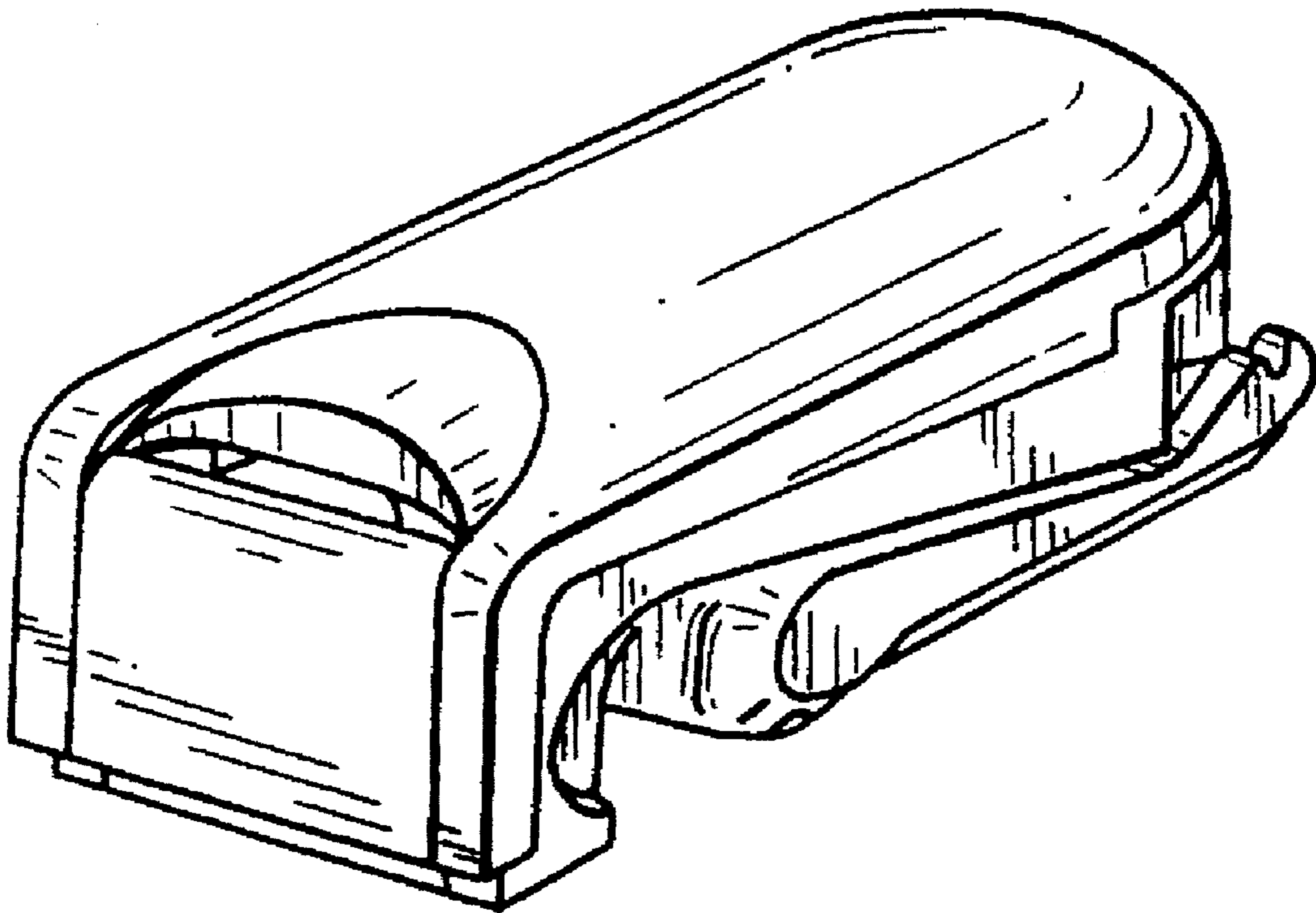


FIG-1

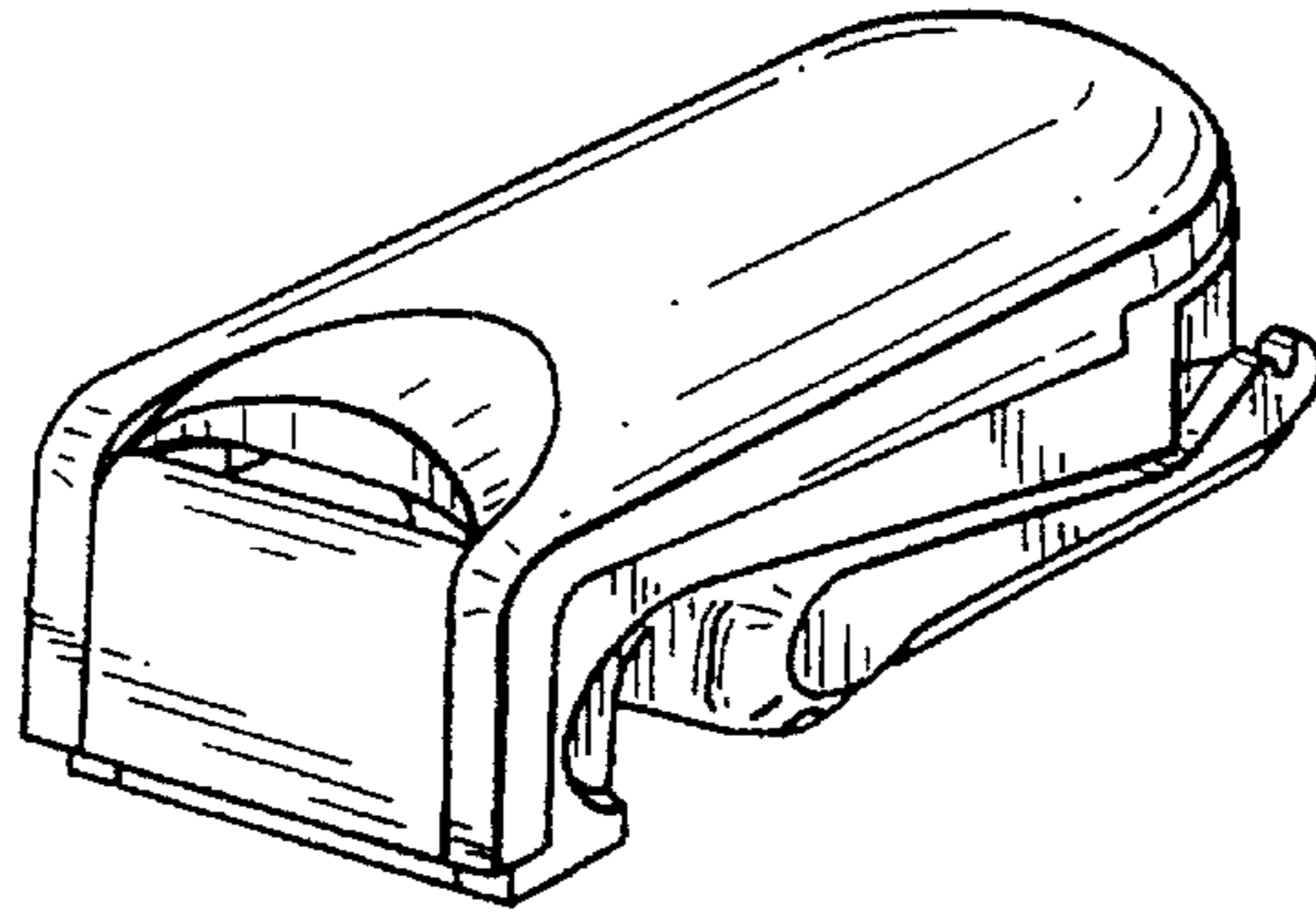


FIG-2

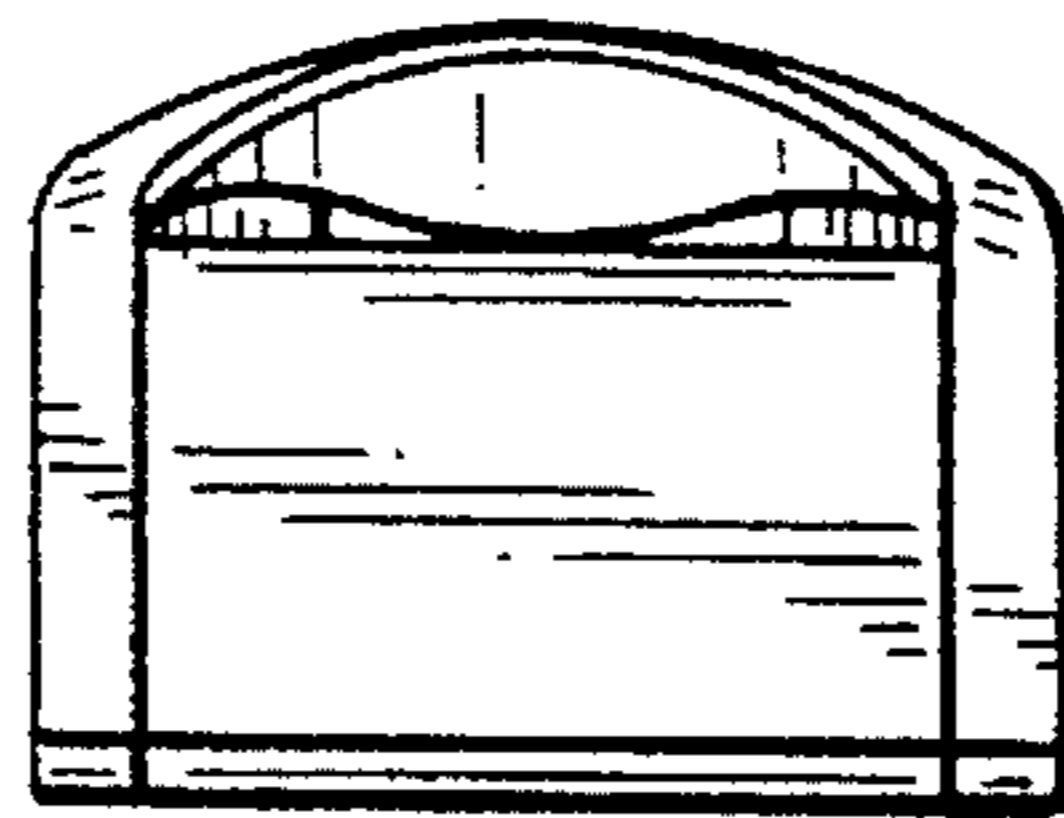


FIG-3

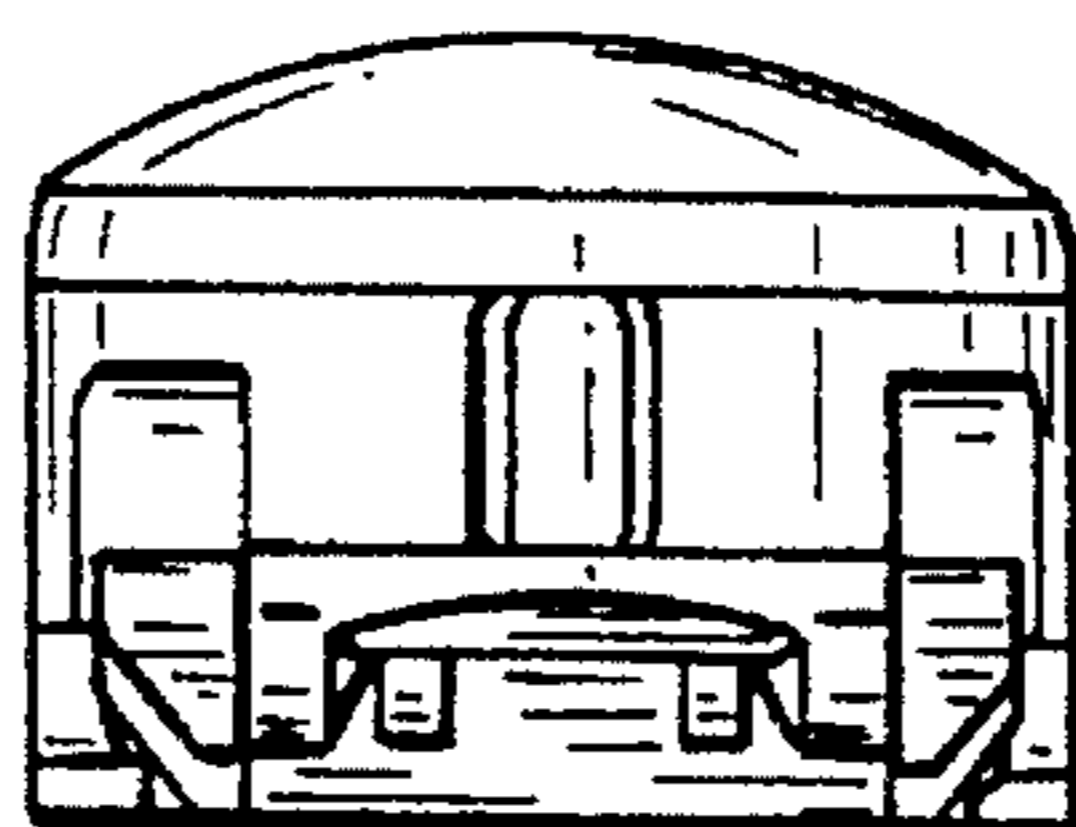


FIG-4

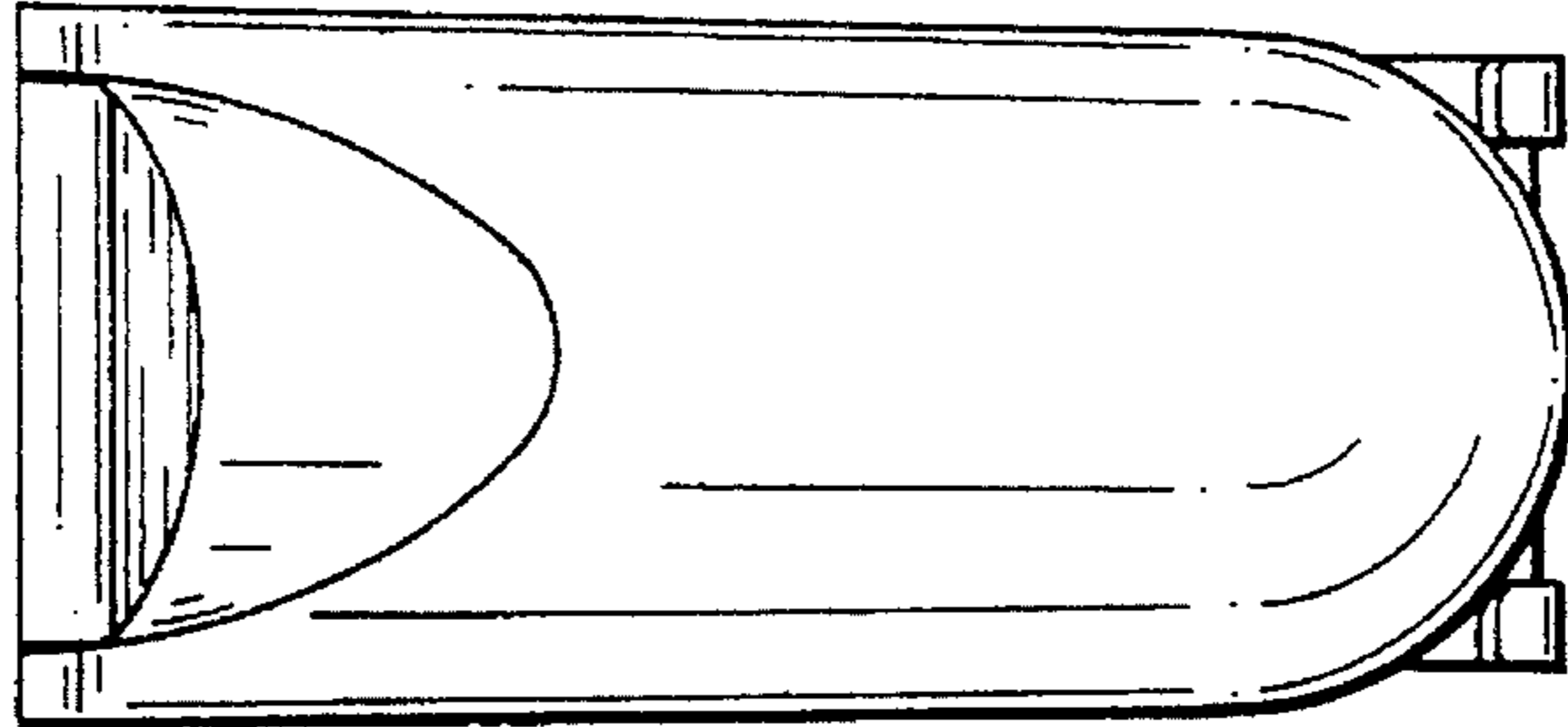


FIG-5

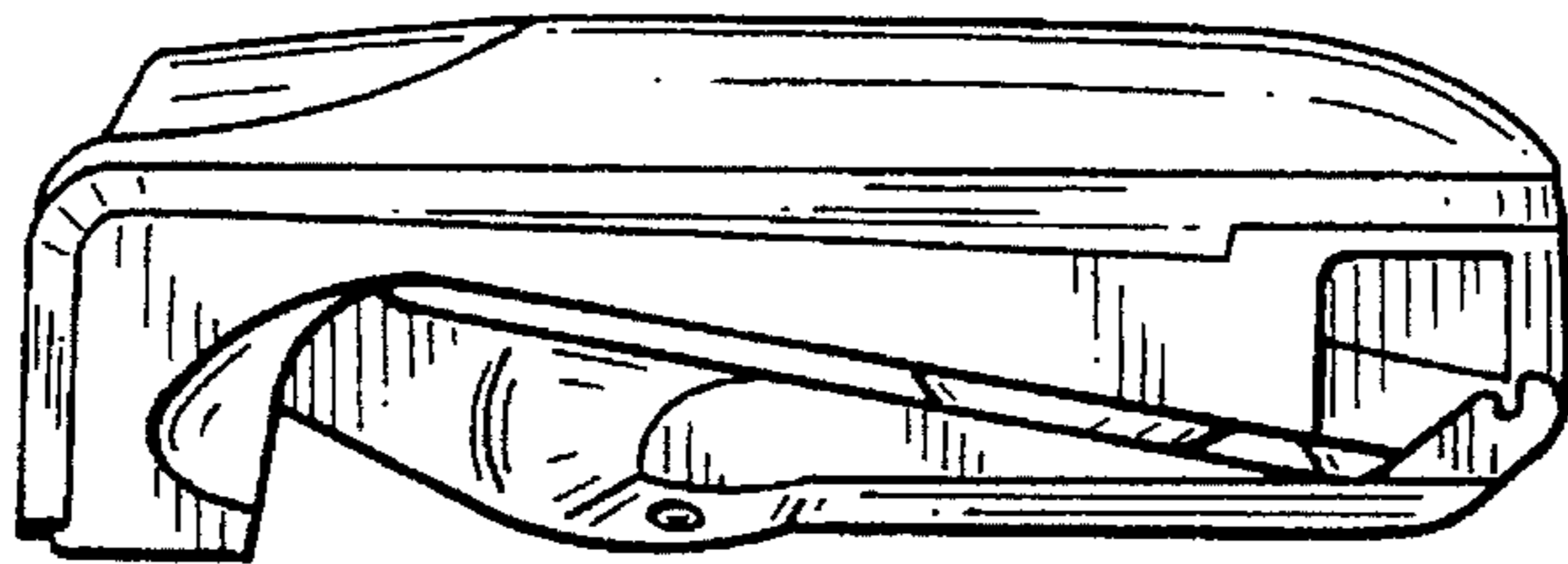


FIG-6

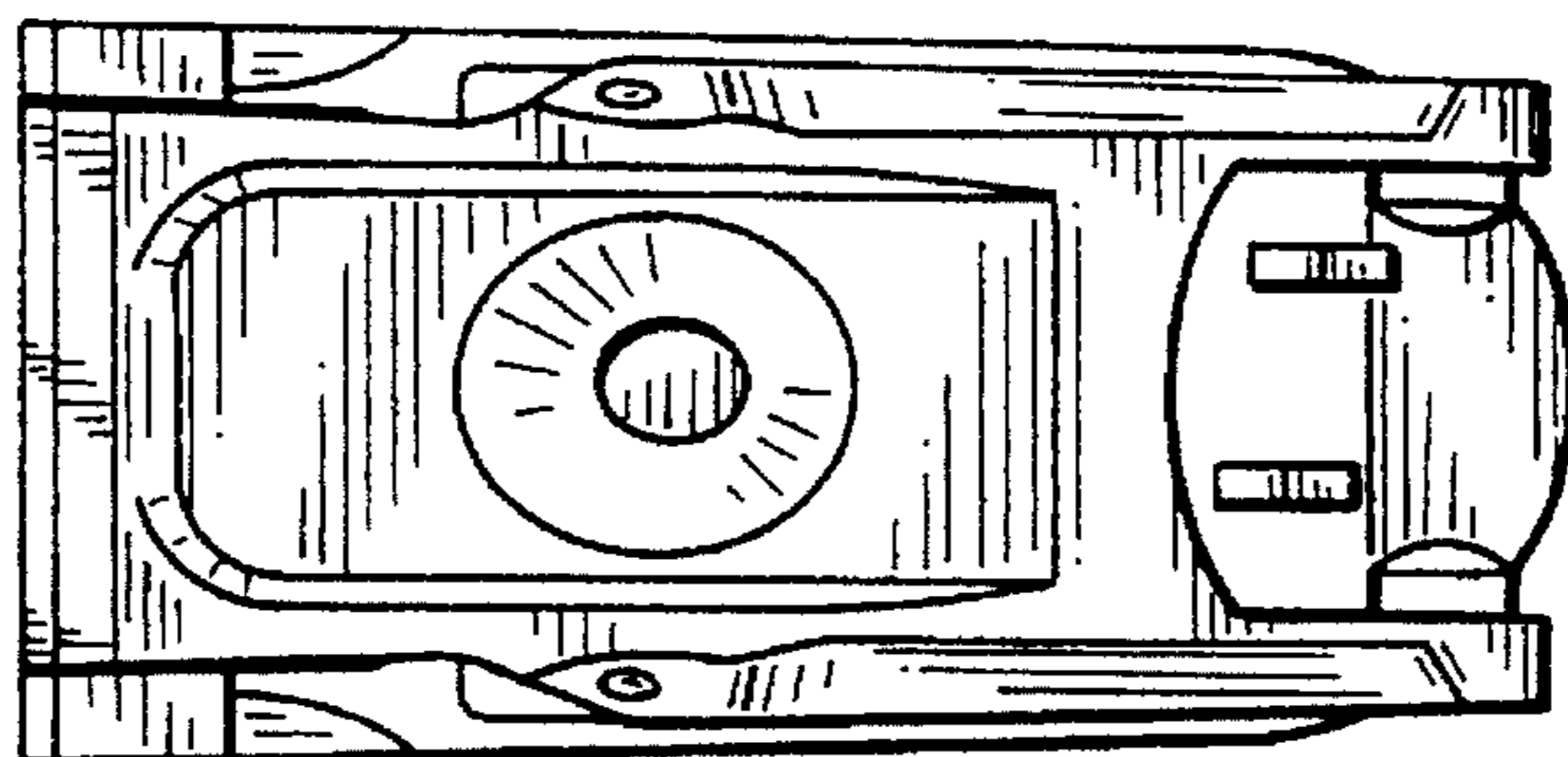


FIG-7

