



US00D367108S

United States Patent [19]

Axelgaard

[11] **Patent Number: Des. 367,108**

[45] **Date of Patent: **Feb. 13, 1996**

[54] **MEDICAL ELECTRODE**

4,643,193 2/1987 DeMarzo 128/639

[76] Inventor: **Jens Axelgaard**, 329 W. Aviation Rd.,
Fallbrook, Calif. 92028-3227

Primary Examiner—Stella Reid
Attorney, Agent, or Firm—Walter A. Hackler

[**] Term: **14 Years**

[57] **CLAIM**

The ornamental design for the medical electrode, as shown and described.

[21] Appl. No.: **26,070**

[22] Filed: **Jul. 18, 1994**

DESCRIPTION

[52] **U.S. Cl.** **D24/168**

[58] **Field of Search** D24/187, 189,
D24/168; 128/640, 639, 641, 643; 607/149,
152

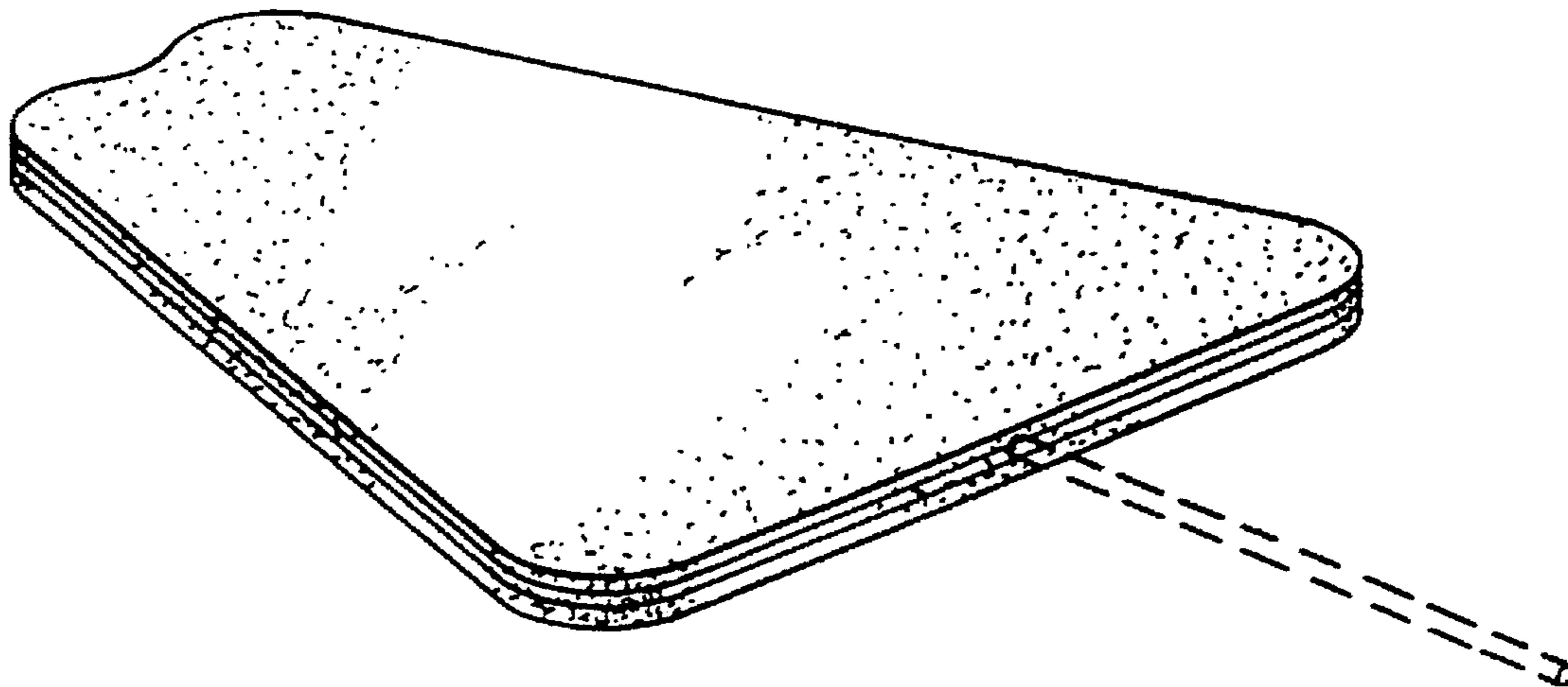
FIG. 1 is a perspective view of the present invention;
FIG. 2 is a top plan view of the present invention;
FIG. 3 is a front elevation view of the present invention, the rear elevation view being identical thereto;
FIG. 4 is a side elevation view of the present invention, the opposite side elevation view being identical thereto; and,
FIG. 5 is a bottom plan view of the present invention.
The broken line showing in FIGS. 1-3 and 5 is for illustrative purposes only and forms no part of the claimed design.

[56] **References Cited**

U.S. PATENT DOCUMENTS

D. 297,460	8/1988	Inoue et al.	D24/168
D. 297,461	8/1988	Inoue et al.	D24/168
4,391,278	7/1983	Cahalan et al.	128/640
4,524,087	6/1985	Engel	128/639 X

1 Claim, 1 Drawing Sheet



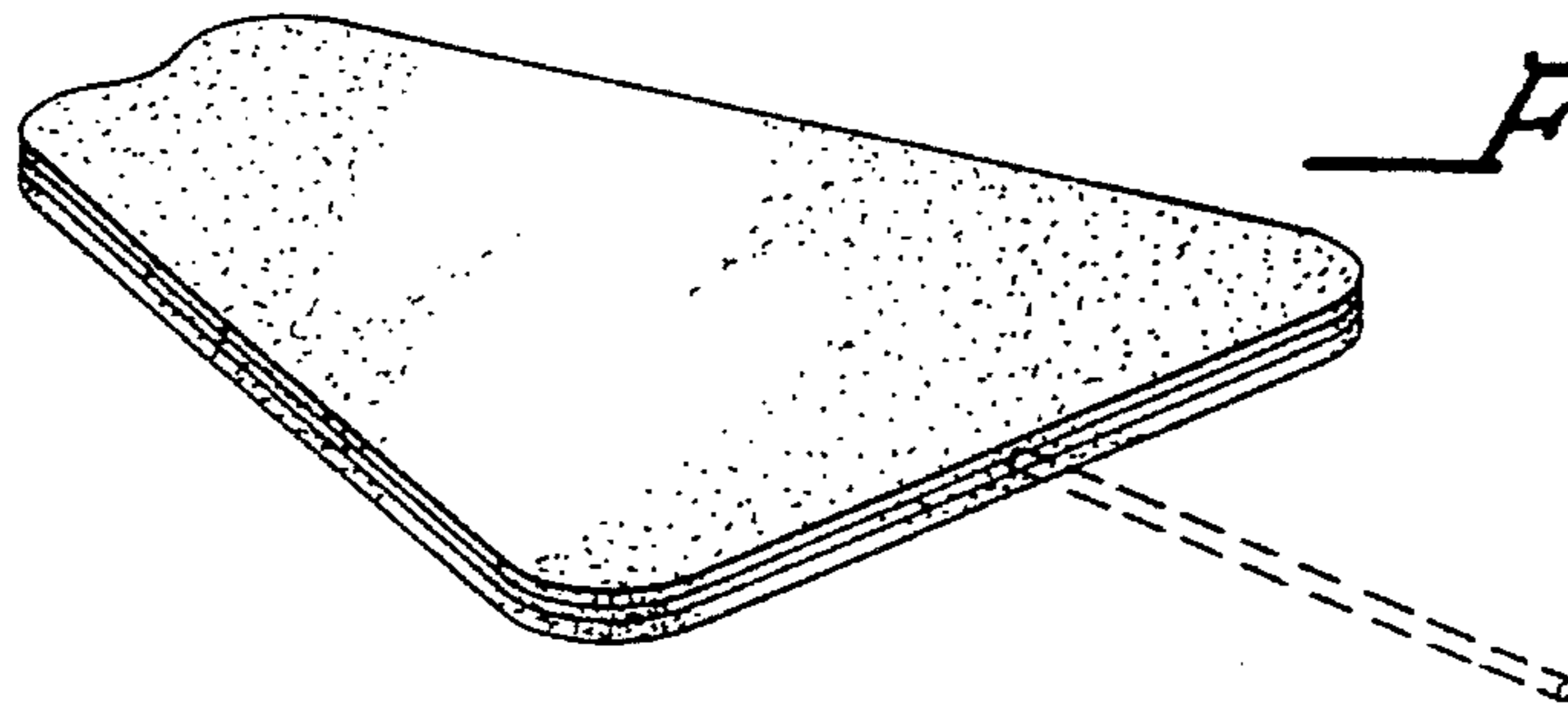


FIG. 1.

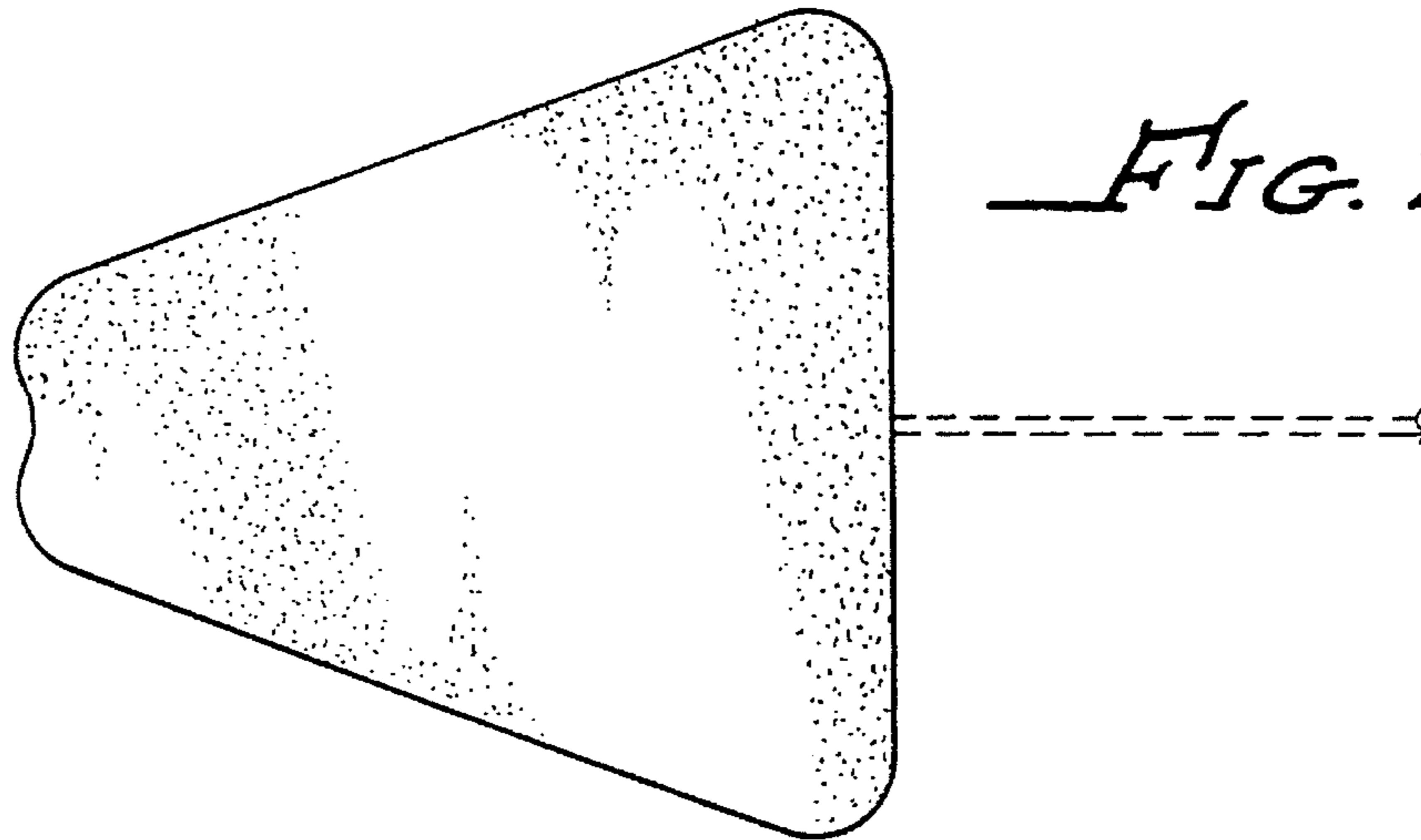


FIG. 2.



FIG. 3.

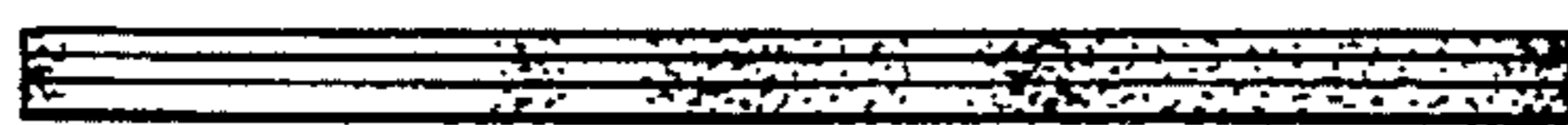


FIG. 4.

FIG. 5.

