



US00D367107S

**United States Patent** [19]

[11] **Patent Number: Des. 367,107**

**Kohler, Jr. et al.**

[45] **Date of Patent: \*\*Feb. 13, 1996**

[54] **LAVATORY**

[75] Inventors: **Herbert V. Kohler, Jr.**, Kohler; **Mary J. Reid**, Sheboygan; **William C. McKeone**, Sheboygan Falls, all of Wis.

[73] Assignee: **Kohler Co.**, Kohler, Wis.

[\*\*] Term: **14 Years**

[21] Appl. No.: **38,158**

[22] Filed: **Apr. 27, 1995**

**Related U.S. Application Data**

[62] Division of Ser. No. 15,122, Nov. 5, 1993, Pat. No. Des. 360,254.

[52] **U.S. Cl.** ..... **D23/292**

[58] **Field of Search** ..... D23/284-293.1, D23/270-274; 4/619, 625, 635-650

[56] **References Cited**

**U.S. PATENT DOCUMENTS**

- D. 37,256 12/1904 Lloyd .
- D. 37,305 1/1905 Podmore .
- D. 37,519 8/1905 Gavin .
- D. 50,272 2/1917 Jansen ..... D23/285
- D. 217,968 7/1970 Armstrong ..... D23/293.1
- D. 260,678 9/1981 Hiller ..... D23/293.1
- D. 283,155 3/1986 Ronvic ..... D23/292
- D. 288,351 2/1987 Smith ..... D23/285
- D. 295,671 5/1988 Kohler, Jr. .... 23/294
- D. 320,263 9/1991 Kohler, Jr. et al. .... D23/293.1
- D. 326,903 6/1992 Reid ..... D23/284
- 827,278 7/1906 Wilkison .

**OTHER PUBLICATIONS**

P. 7A-5 dated Apr. 1988 of a Kohler Co. design data sheet showing a Model K-6825 lavatory leg.  
Undated Kohler Co. ad showing a free standing bathtub with

a curvilinear towel bar.

An undated Simca ad showing a pedestaled lavatory.

Two undated pages from a Girgio catalog showing Models 1029 and 1029WHI pedestal sinks.

An undated Gucci ad showing edge of a pedestal table.

*Primary Examiner*—Stella Reid

*Assistant Examiner*—E. Watterson

*Attorney, Agent, or Firm*—Quarles & Brady

[57] **CLAIM**

The ornamental design for a lavatory, as shown and described.

**DESCRIPTION**

FIG. 1 is a perspective view taken from the top, front and left side of a lavatory embodying our new design;

FIG. 2 is a front elevational view thereof;

FIG. 3 is a right side elevational view thereof, the left side being the mirror image thereof shown;

FIG. 4 is a rear elevational view thereof;

FIG. 5 is a bottom plan view thereof;

FIG. 6 is a perspective view taken from the top, front and left side of a second embodiment of our new design, which is the same as the embodiment of FIG. 1 except for the addition of a second cross member on each pair of legs;

FIG. 7 is a top plan view of both of the embodiments of FIGS. 1 and 6;

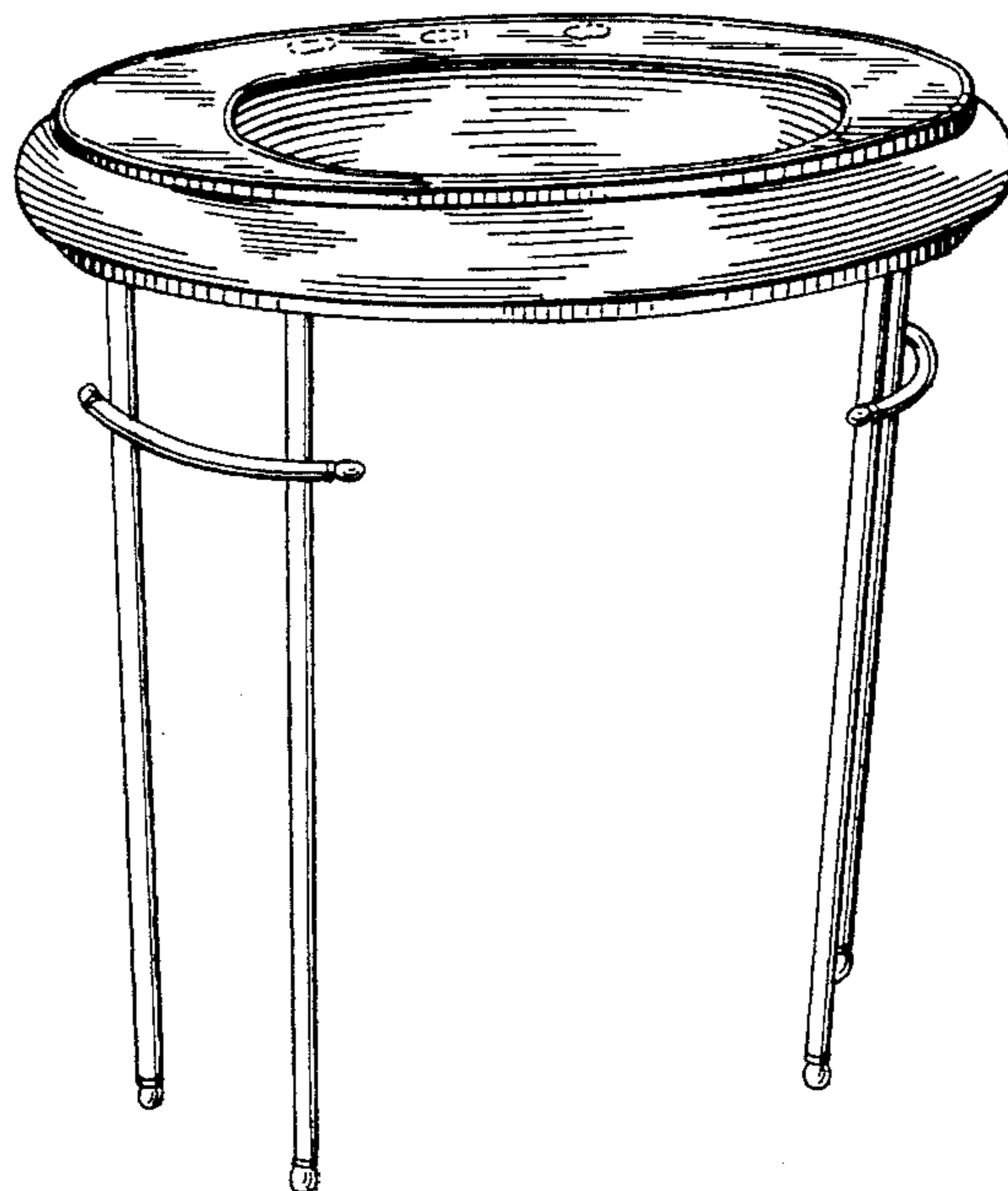
FIG. 8 is a cross-sectional view, taken on line 8—8 of FIG. 7, of the sink portion above the legs; and,

FIG. 9 is a cross-sectional view, taken on line 9—9 of FIG. 7, of the sink portion above the legs.

The broken line representations of mounting holes in FIGS. 1, 6 and 7 are for the purpose of illustration only and form no part of the claimed design.

The bottom view of the second embodiment is identical to that shown in FIG. 5.

**1 Claim, 6 Drawing Sheets**



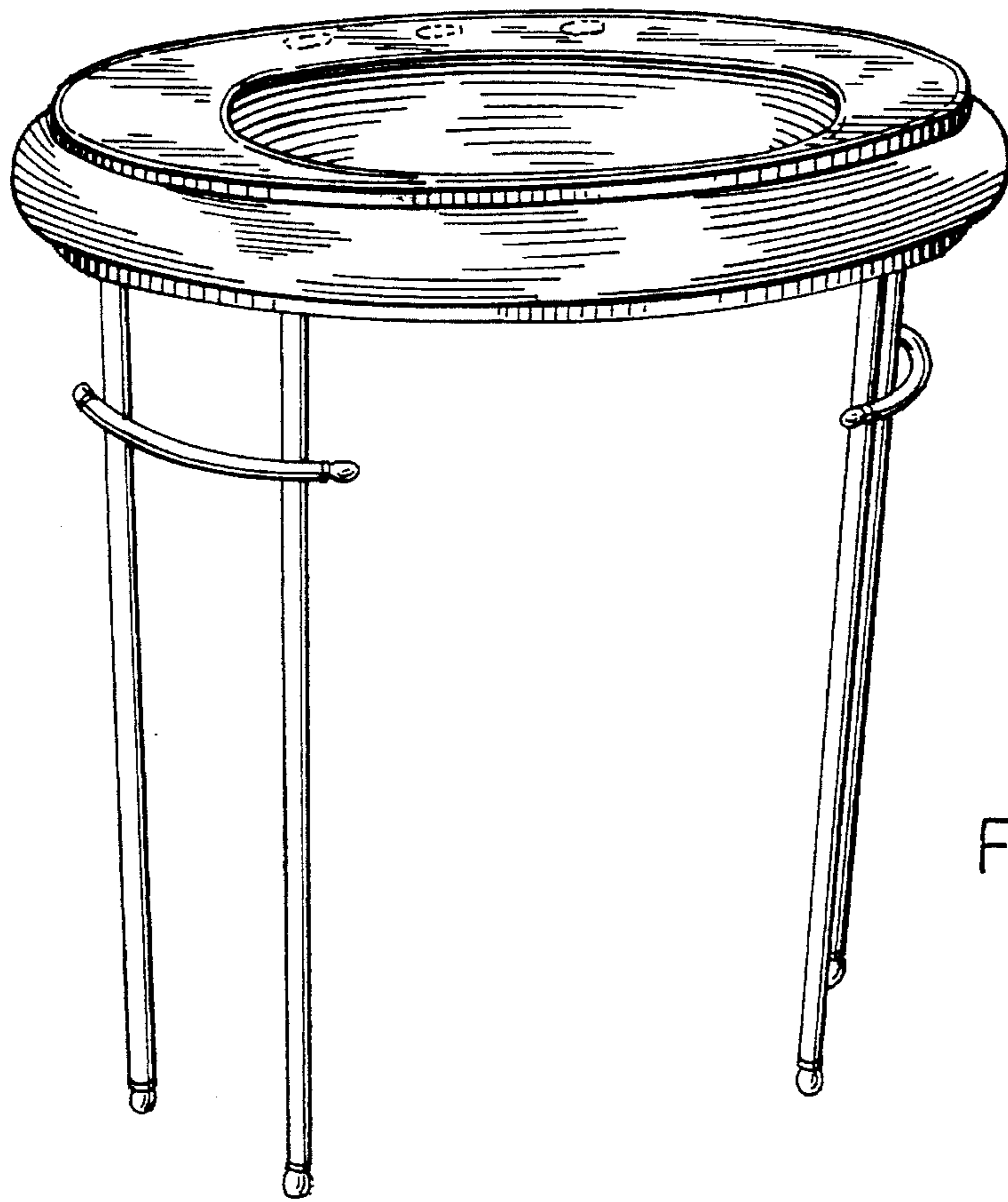


FIG. 1

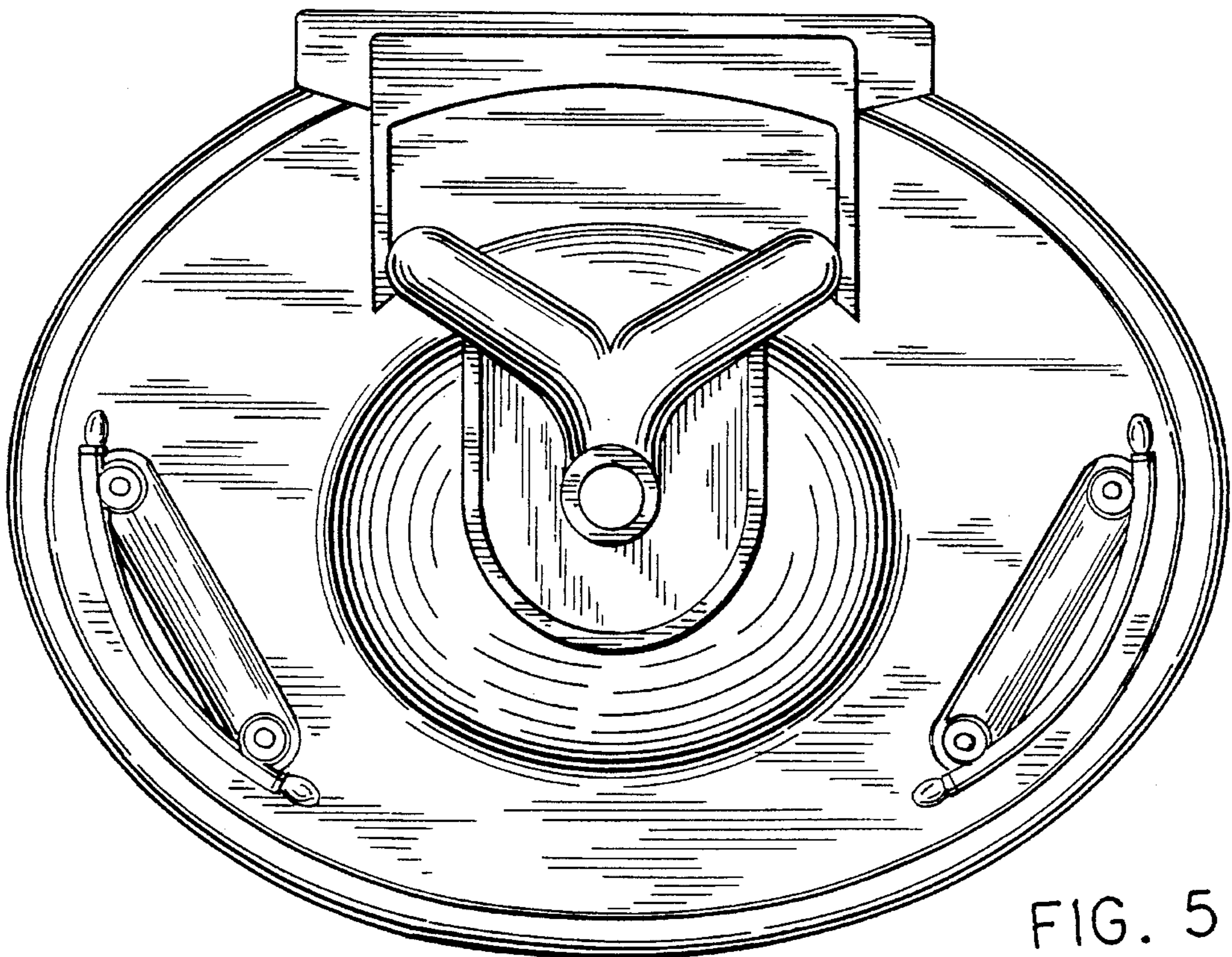


FIG. 5

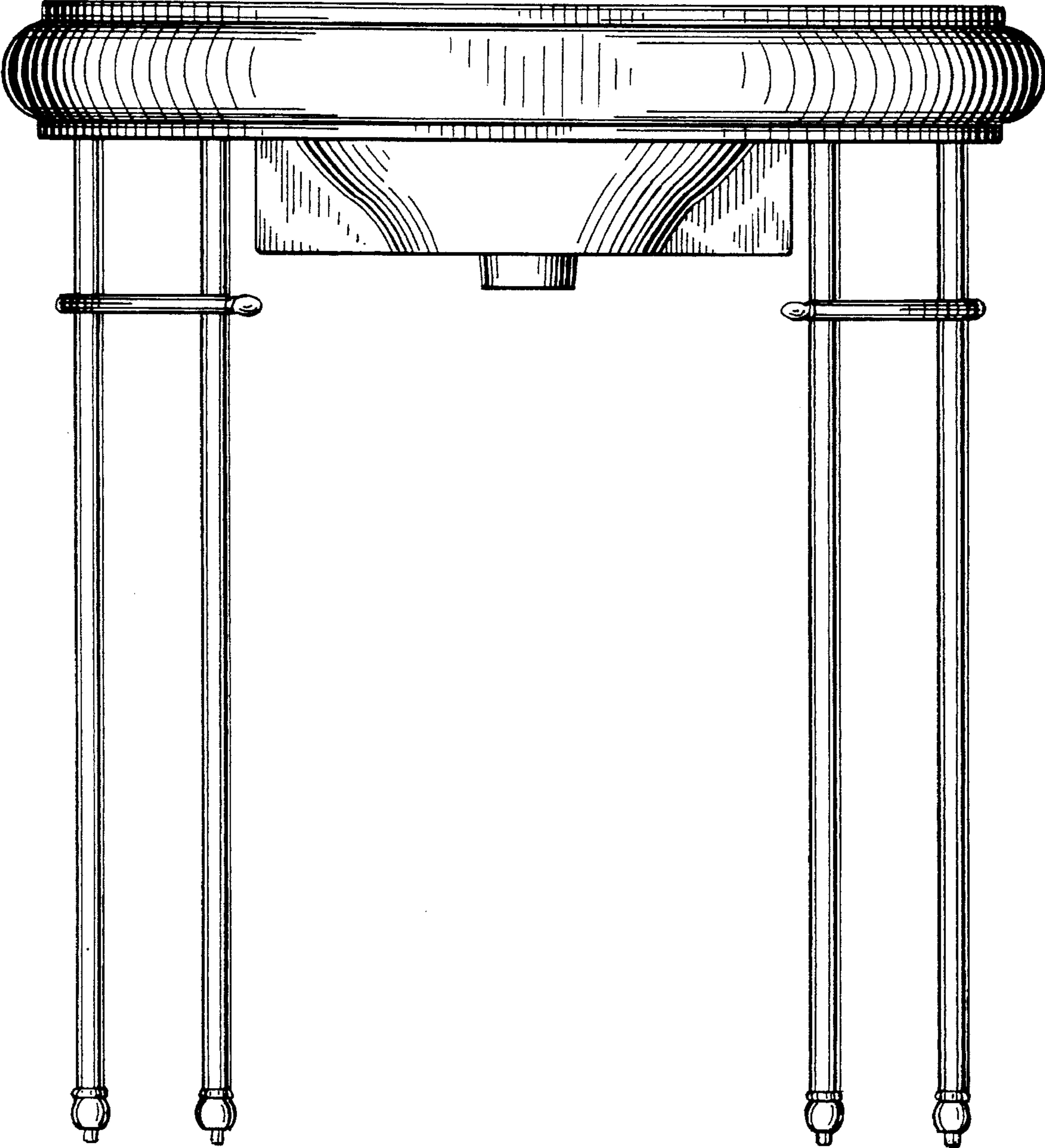


FIG. 2

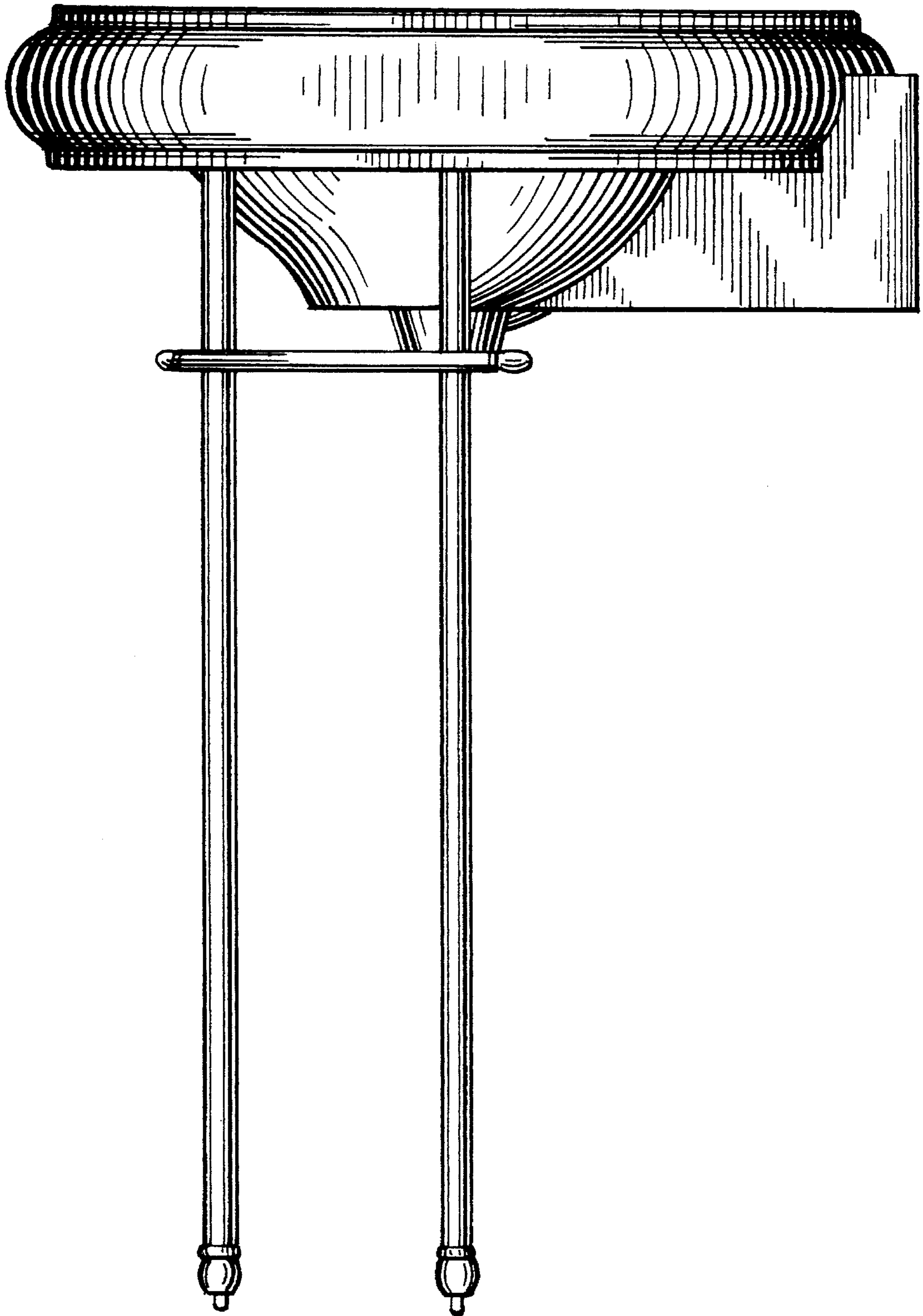


FIG. 3

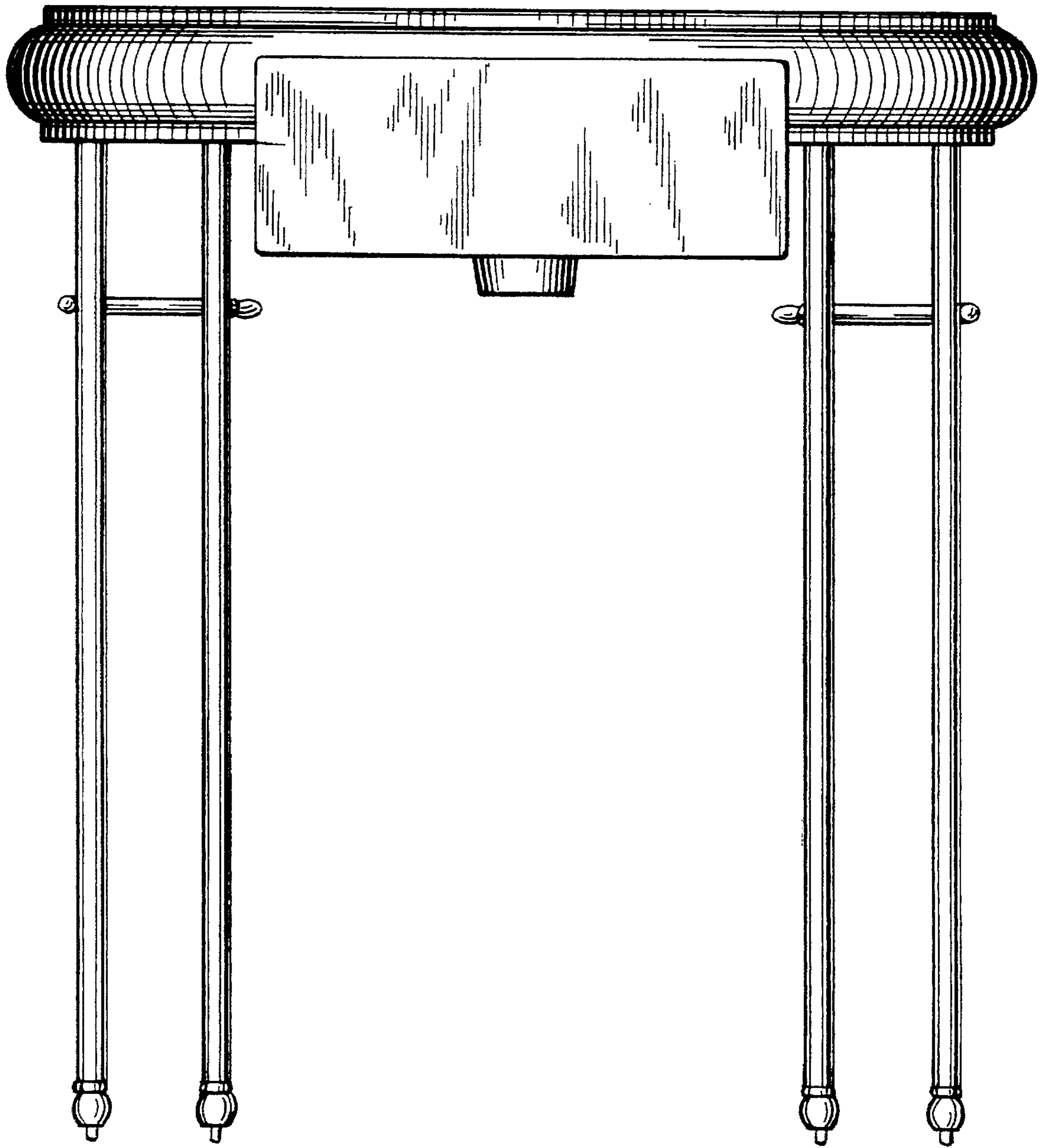


FIG. 4

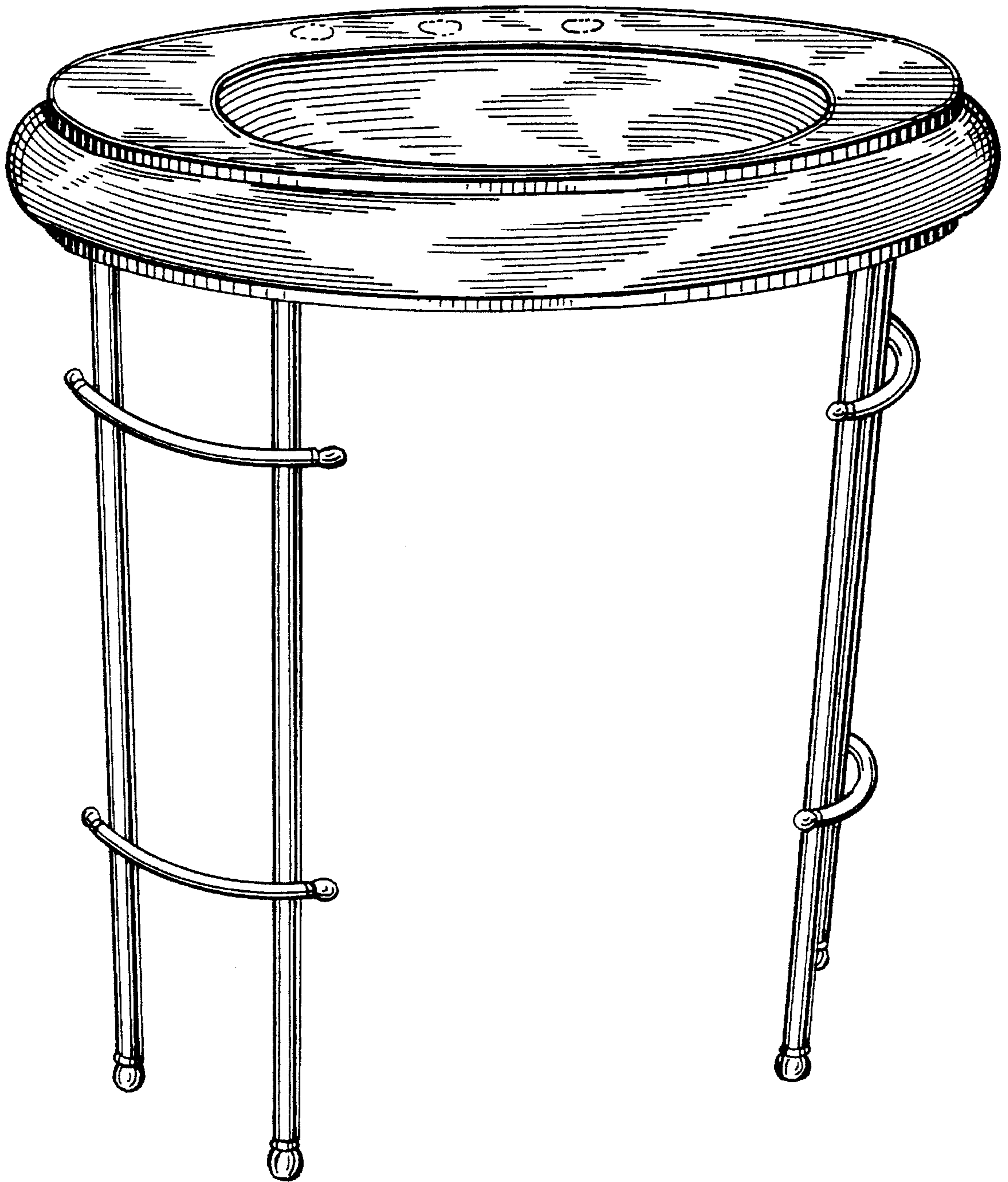


FIG. 6

FIG. 7

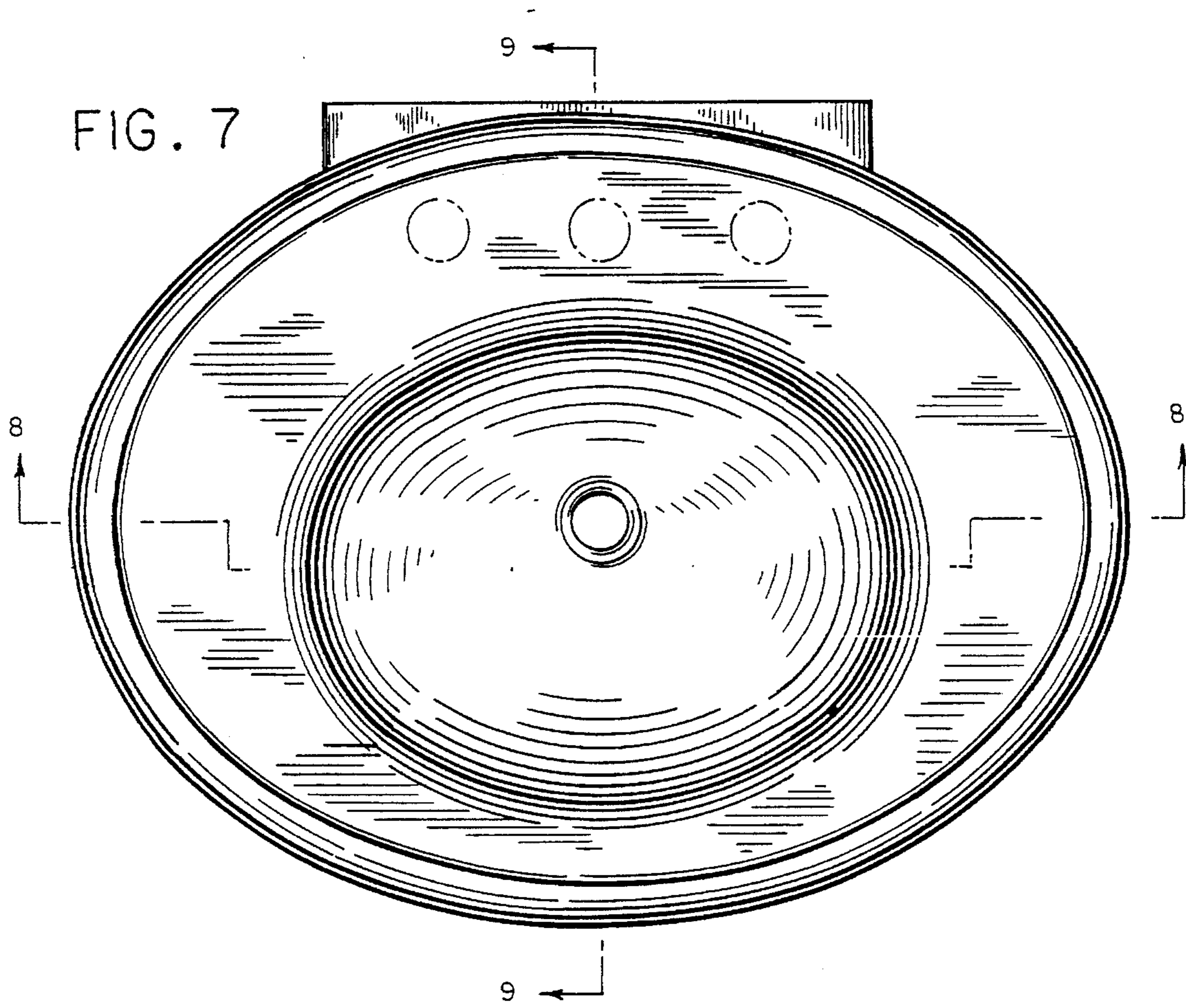


FIG. 8

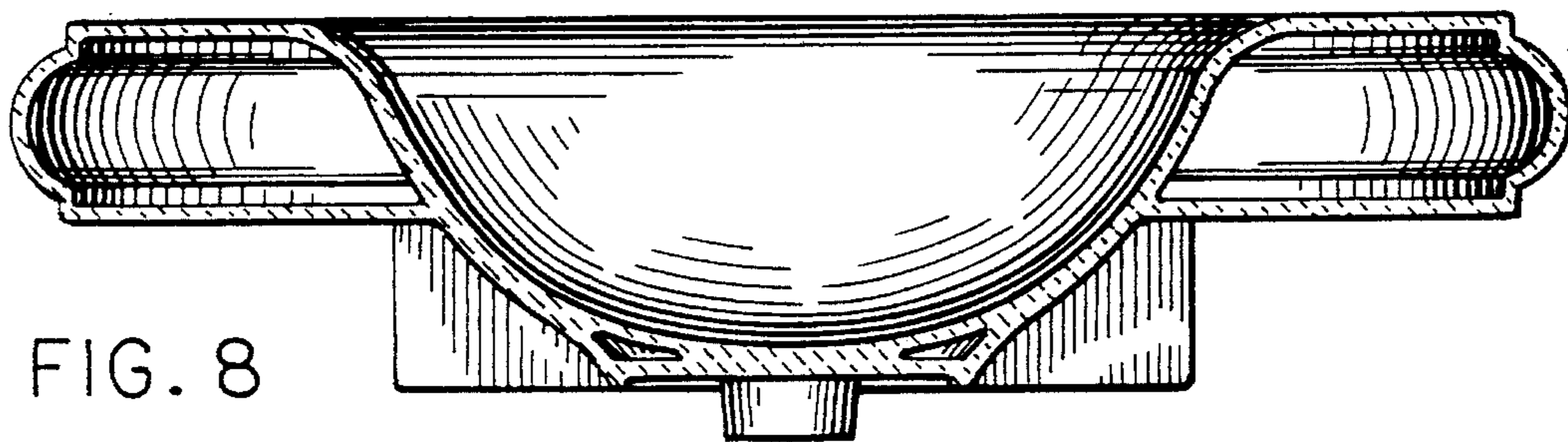


FIG. 9

