



US00D367106S

# United States Patent [19]

Jakobson et al.

[11] Patent Number: **Des. 367,106**

[45] Date of Patent: **\*\*Feb. 13, 1996**

[54] **CHAMBER POT FOR A CHILD**  
[75] Inventors: **Björn Jakobson, Täby; Håkan Bergkvist, Bromma, both of Sweden**

4,069,522 1/1978 Messmer et al. .... 4/483  
4,193,142 3/1980 Henningfeld .... 4/483  
5,155,871 10/1992 Sams ..... 4/484  
5,161,263 11/1992 Geneve et al. .... 4/483

[73] Assignee: **Baby Björn AB, Täby, Sweden**

[\*\*] Term: **14 Years**

*Primary Examiner*—Louis S. Zarfaz  
*Assistant Examiner*—Eric Watterson  
*Attorney, Agent, or Firm*—Jacobson, Price, Holman & Stern

[21] Appl. No.: **27,209**

[22] Filed: **Aug. 16, 1994**

[57] **CLAIM**

The ornamental design for a chamber pot for a child, as shown and described.

[30] **Foreign Application Priority Data**

**DESCRIPTION**

Feb. 18, 1994 [SE] Sweden ..... 94-0384

[52] U.S. Cl. .... **D23/296**

[58] Field of Search ..... D23/295-301,  
D23/309-313; 4/449, 452, 479, 483, 484,  
661, 902

FIG. 1 is a left side elevation of a chamber pot for a child showing our new design;  
FIG. 2 is a right side elevation thereof;  
FIG. 3 is a rear end elevation thereof;  
FIG. 4 is a front end elevation thereof;  
FIG. 5 is a top plan view thereof;  
FIG. 6 is a bottom plan view thereof; and,  
FIG. 7 is a perspective view thereof.

[56] **References Cited**

**U.S. PATENT DOCUMENTS**

3,235,884 2/1966 Rehsteiner ..... 4/484  
3,401,408 9/1968 Buck ..... 4/483

**1 Claim, 3 Drawing Sheets**

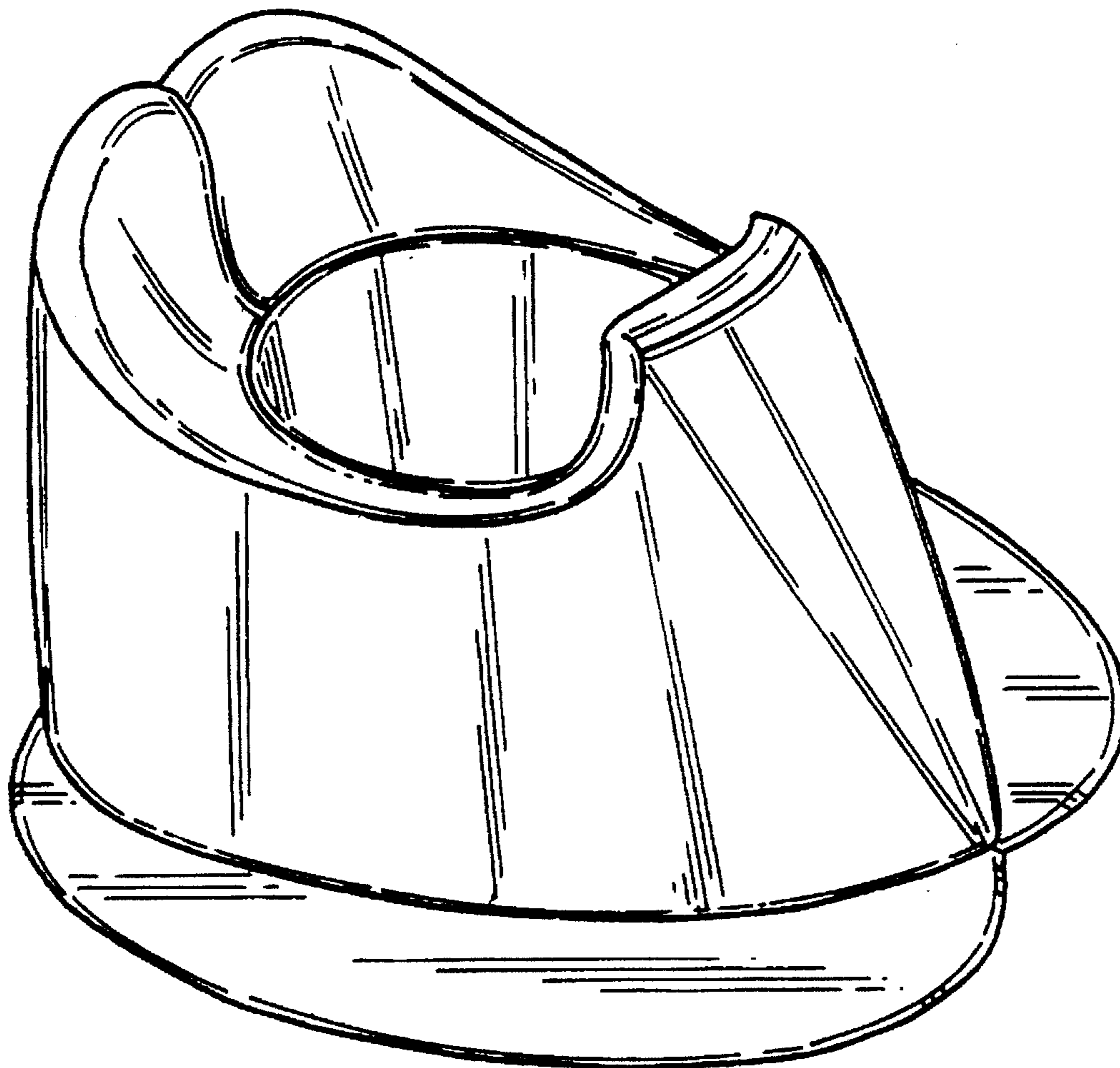


Fig. 1

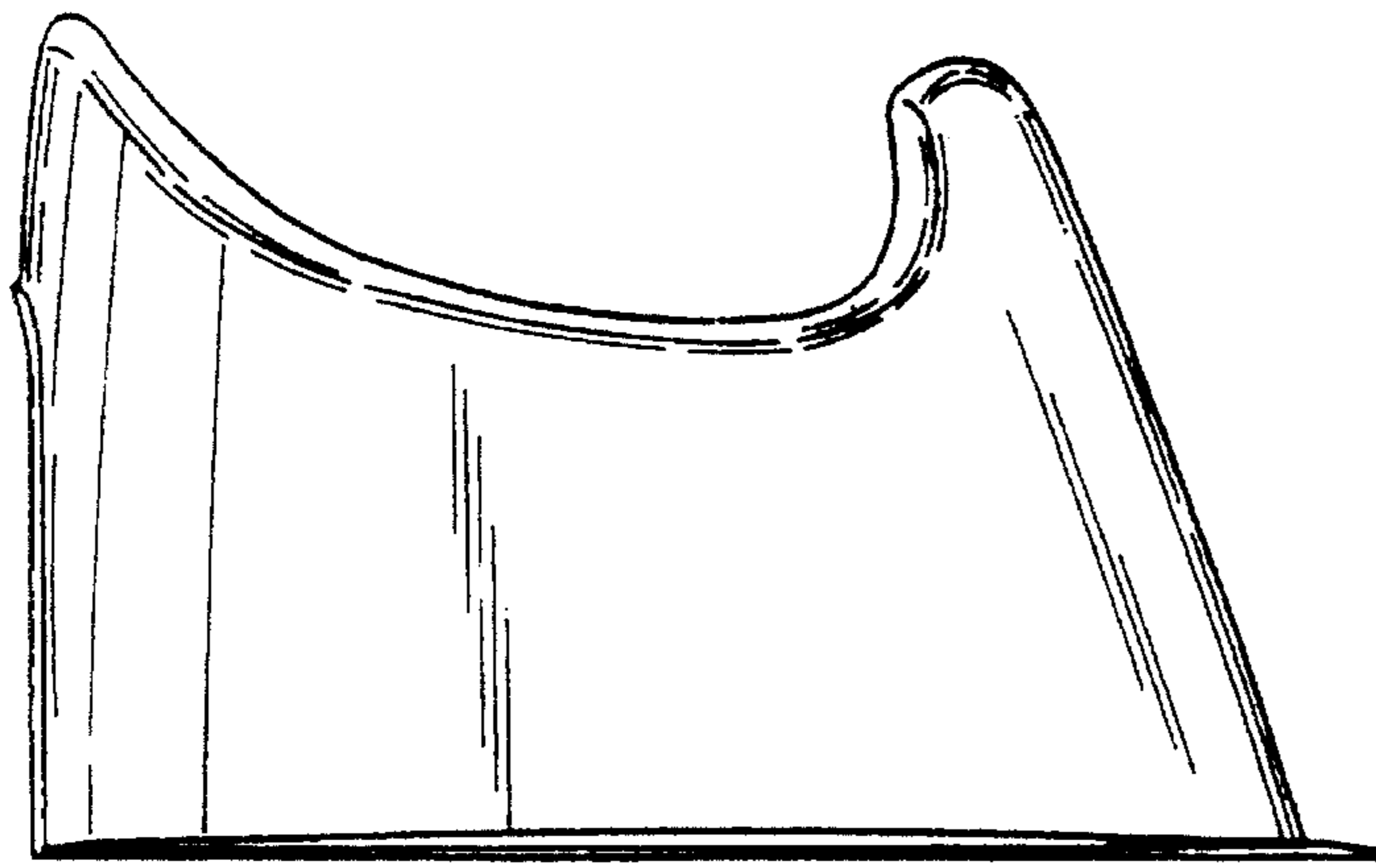
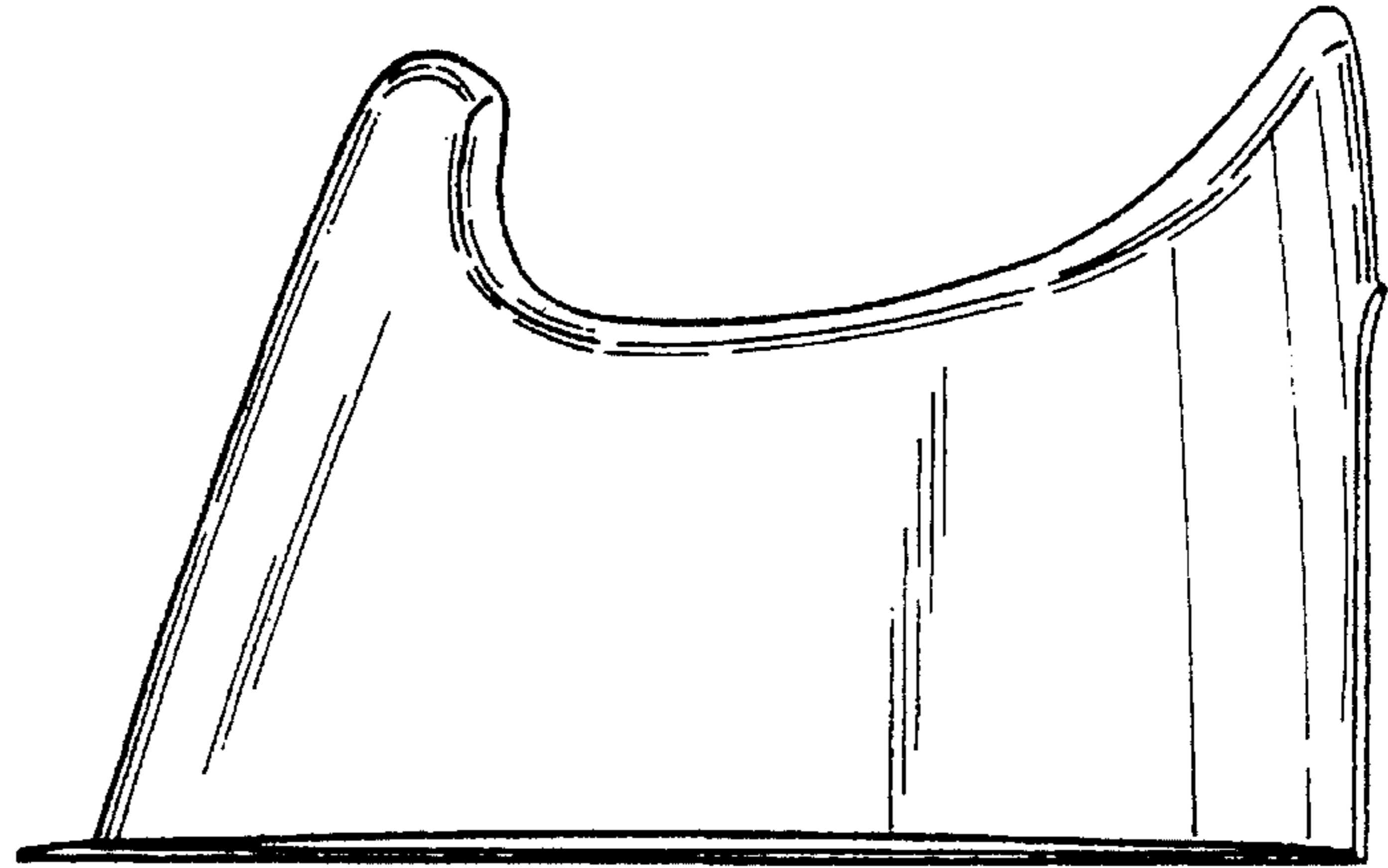


Fig. 2

Fig. 3

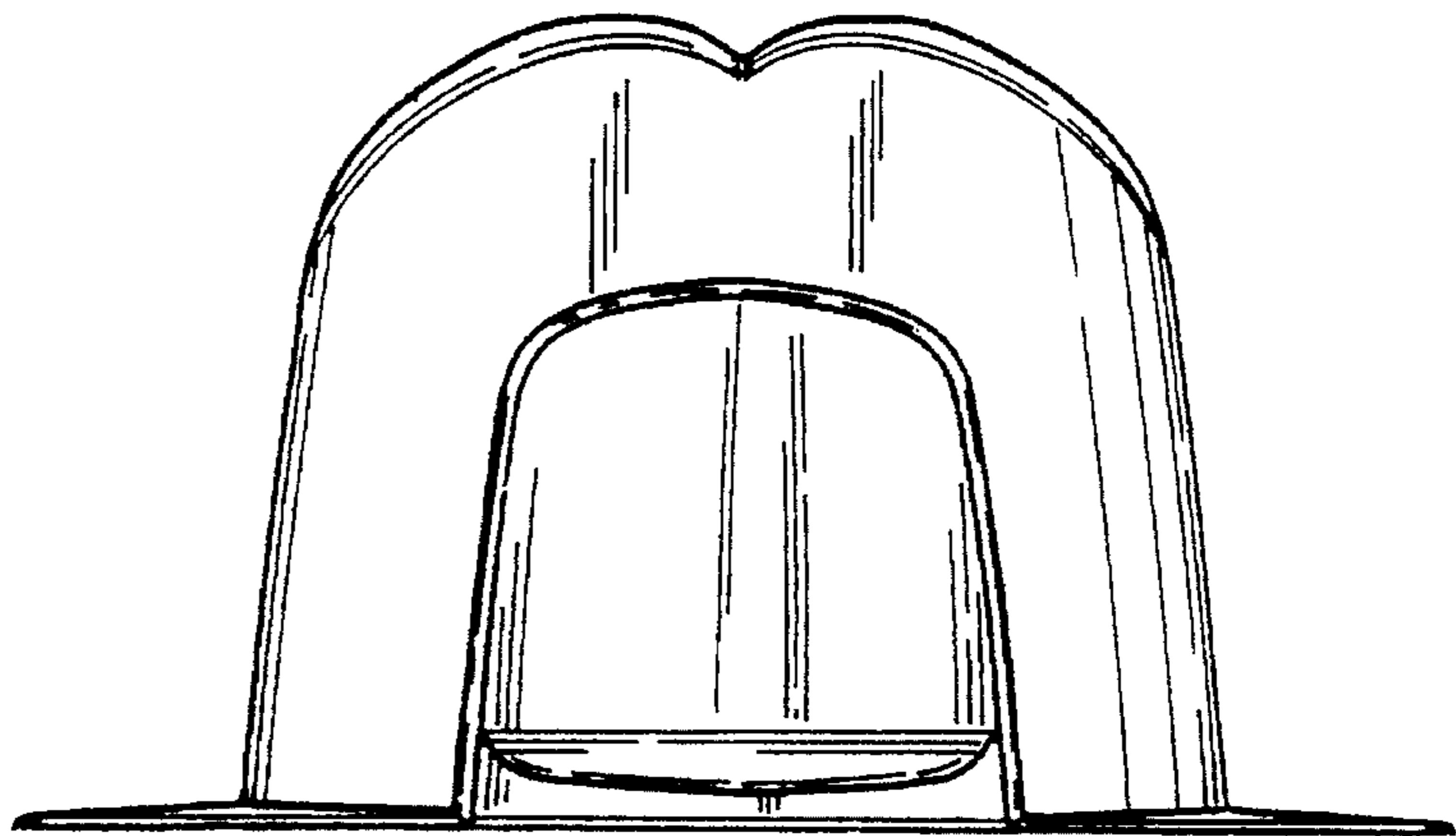


Fig. 4

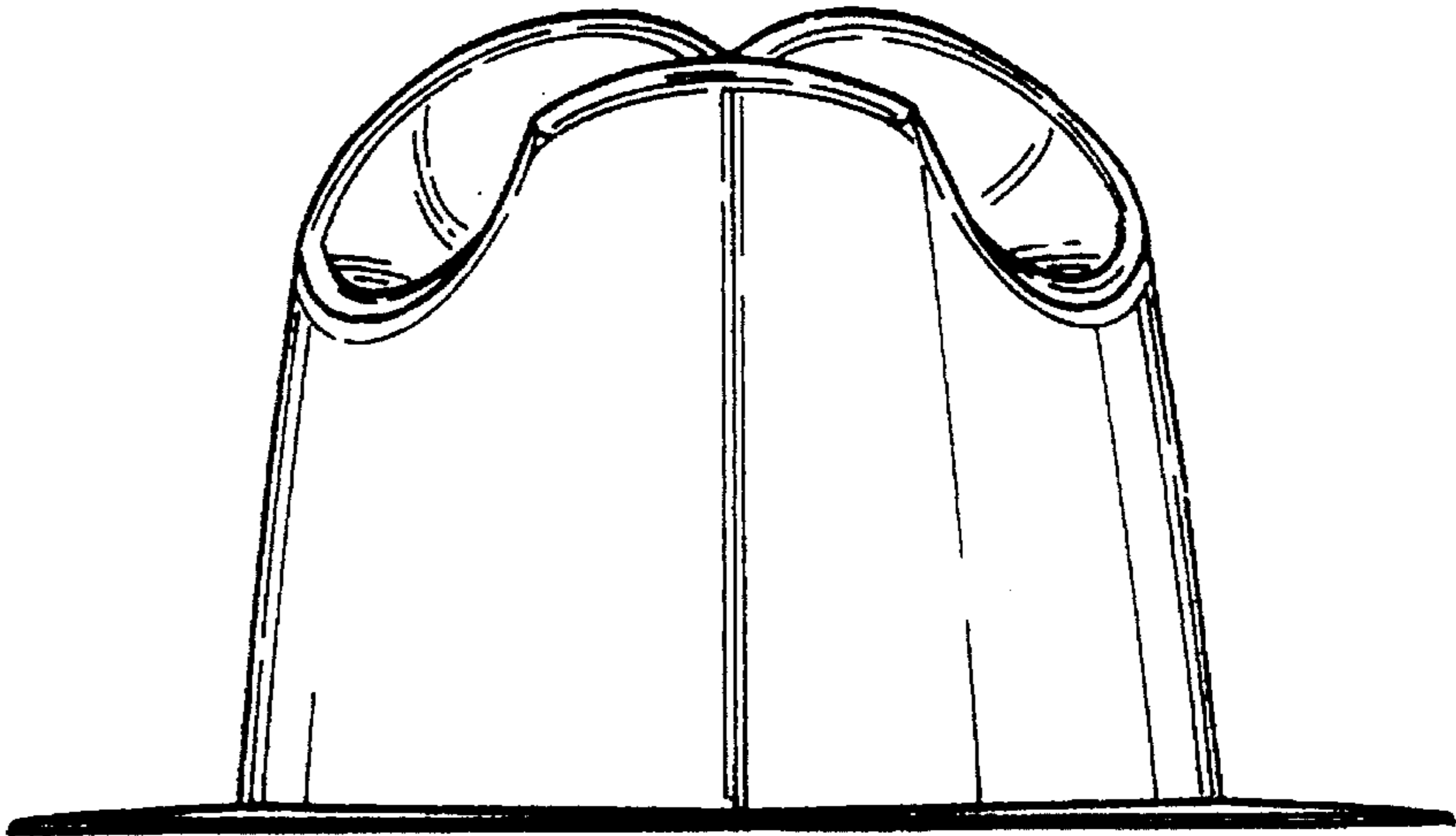


Fig. 5

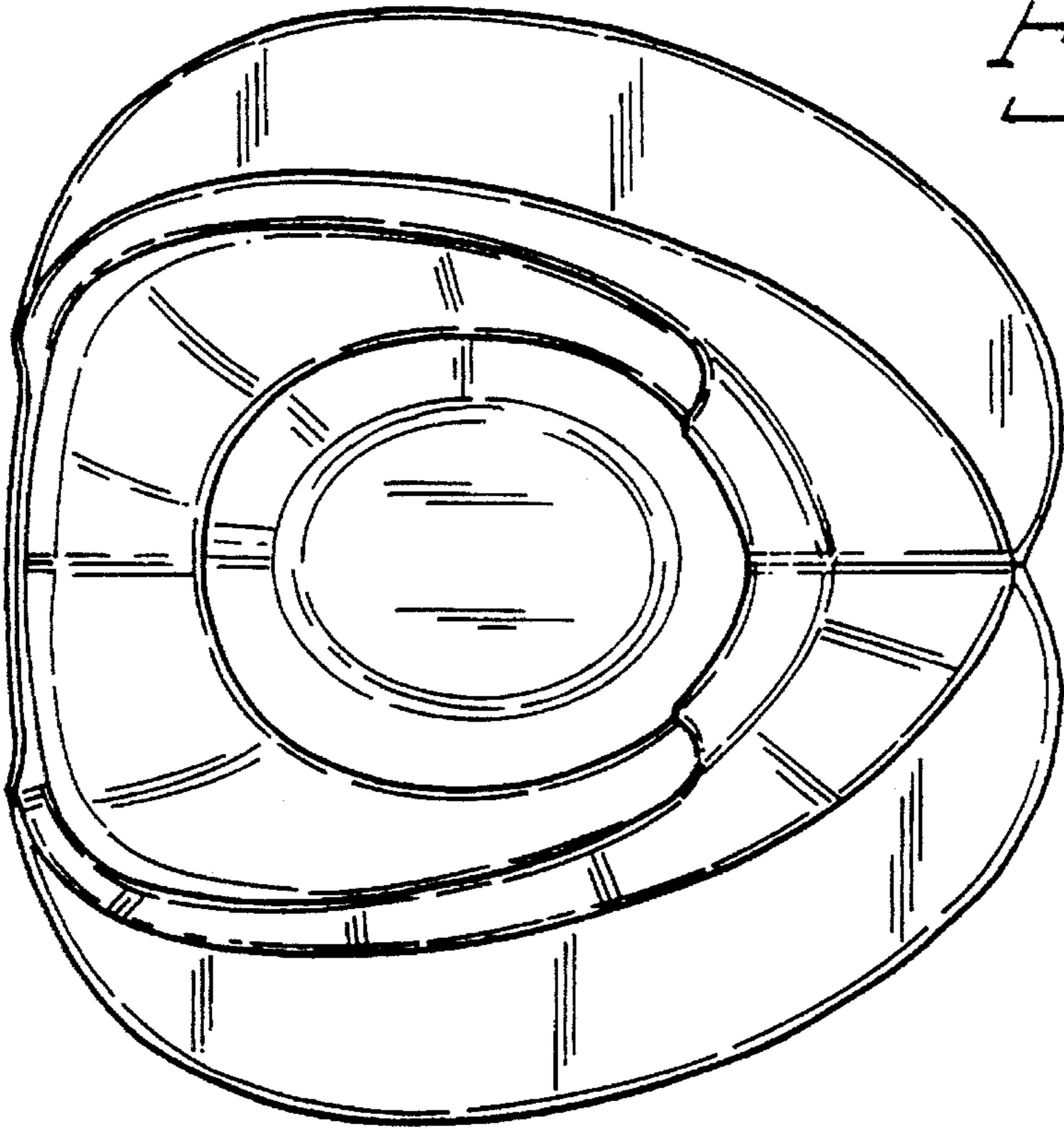


Fig. 6

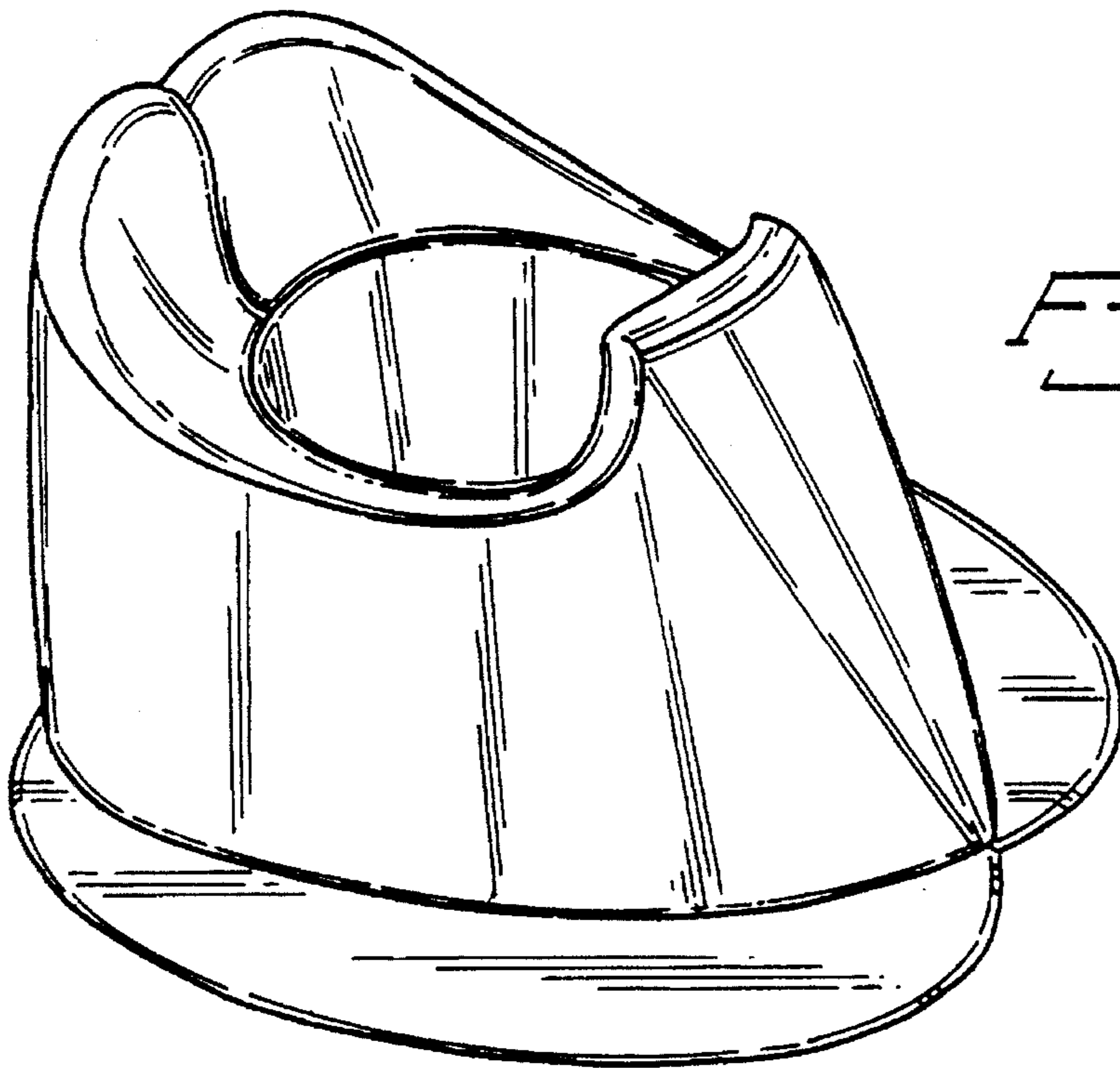
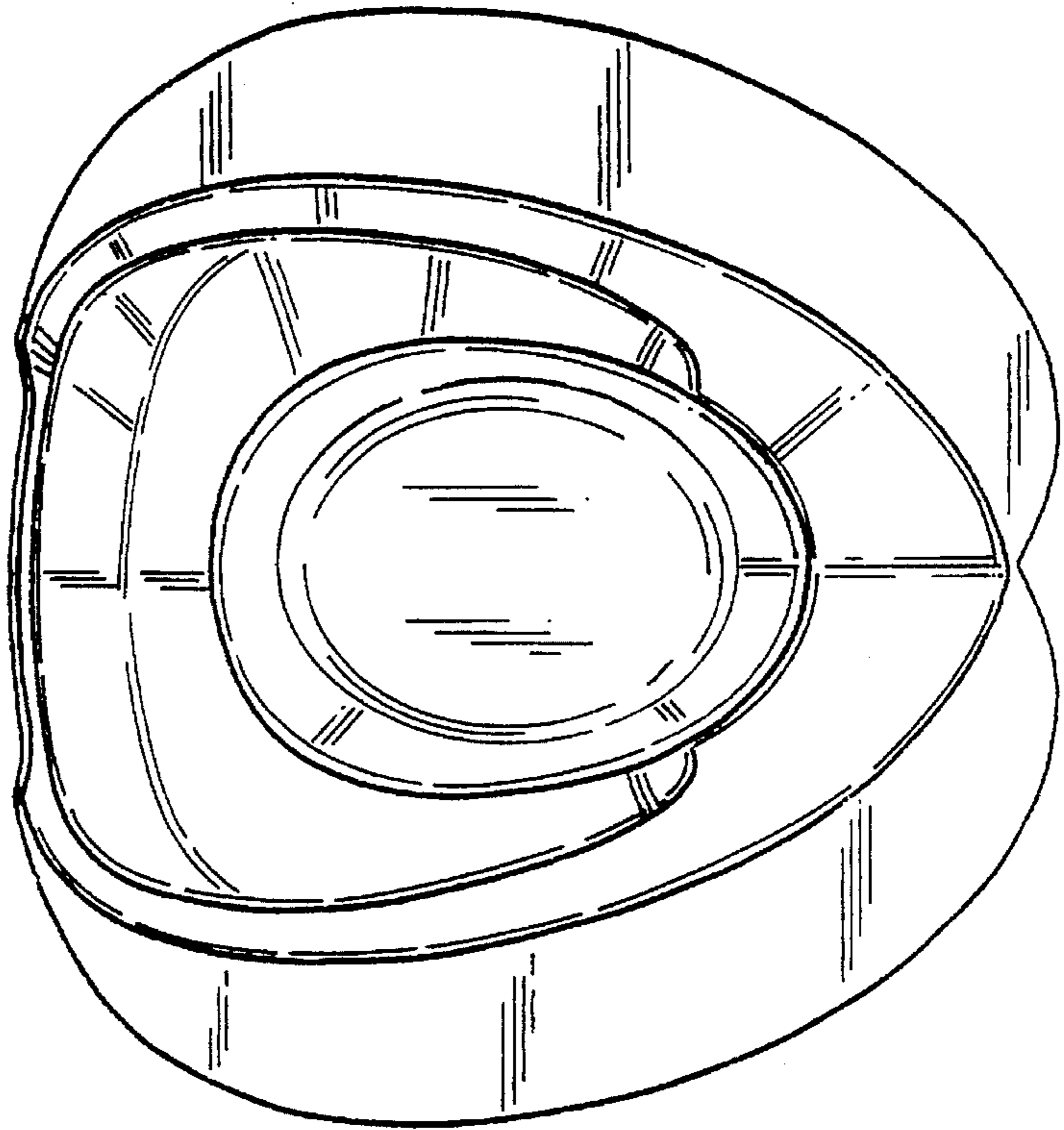


Fig. 7