



US00D367105S

United States Patent [19]

[11] **Patent Number: Des. 367,105**

Goertz

[45] **Date of Patent: **Feb. 13, 1996**

[54] **PORTABLE SINK FOR PET CARE**

Primary Examiner—Stella Reid
Assistant Examiner—Eric Watterson

[76] Inventor: **Dale L. Goertz**, 5209 W. Nighthawk
Wy., Tucson, Ariz. 85741

[57] **CLAIM**

[**] Term: **14 Years**

The ornamental design for a portable sink for pet care, as shown and described.

[21] Appl. No.: **24,705**

DESCRIPTION

[22] Filed: **Jun. 20, 1994**

[52] **U.S. Cl.** **D23/286**

[58] **Field of Search** D23/284, 286,
D23/287; 4/619, 630, 631, 621, 632-637

FIG. 1 is a front elevational view of the portable sink for pet care showing my new design;
FIG. 2 is a rear elevational view thereof;
FIG. 3 is a left side elevational view thereof;
FIG. 4 is a right side elevational view thereof;
FIG. 5 is a top plan view thereof;
FIG. 6 is a bottom plan view thereof; and,
FIG. 7 is an isometric view thereof.

[56] **References Cited**

U.S. PATENT DOCUMENTS

D. 328,125	7/1992	Bae	D23/286
D. 342,121	12/1993	Lim	D23/286
5,313,676	5/1994	Wright	4/631 X
5,349,708	9/1994	Lee	4/631 X

1 Claim, 4 Drawing Sheets

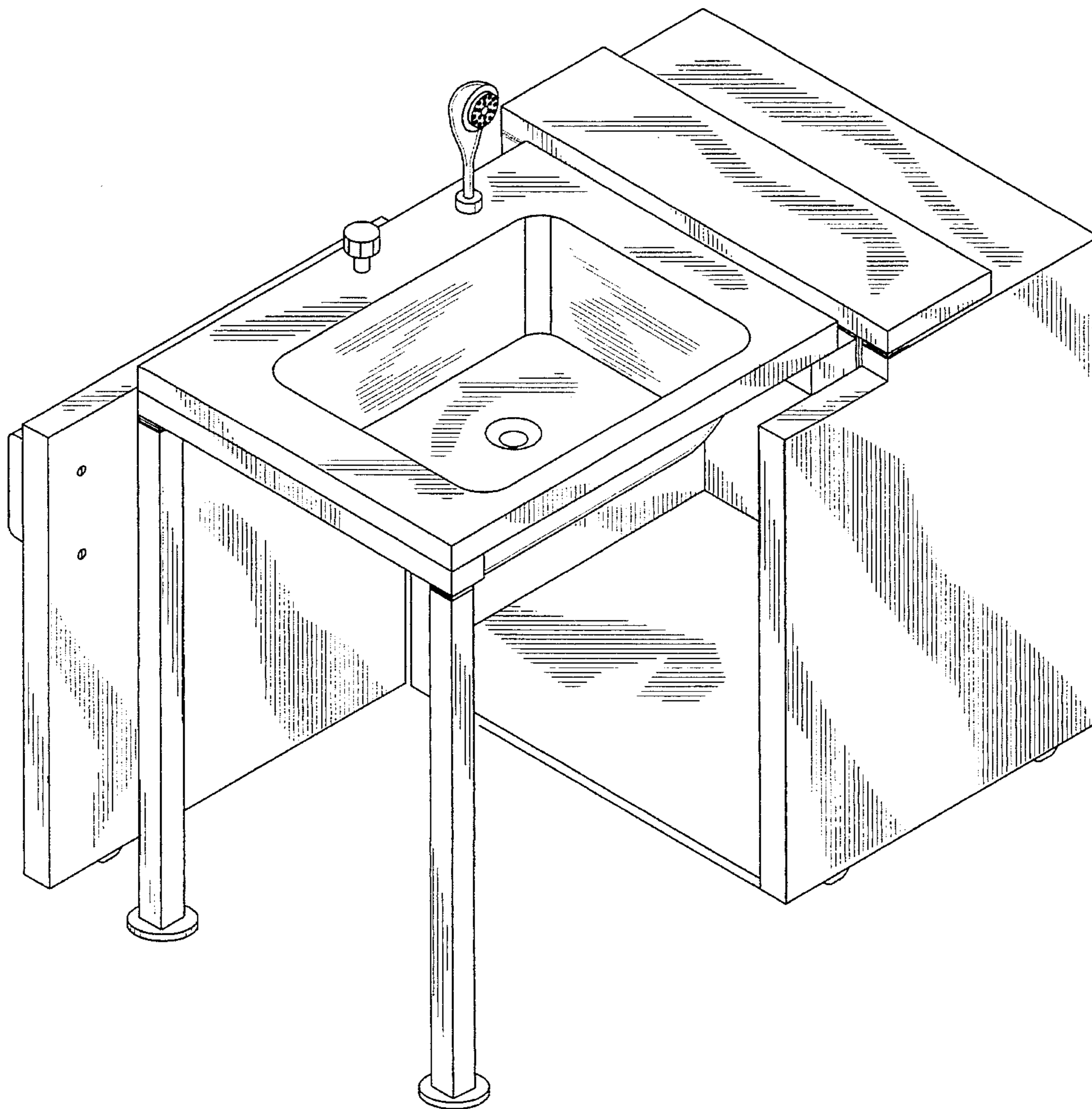


FIG. 1

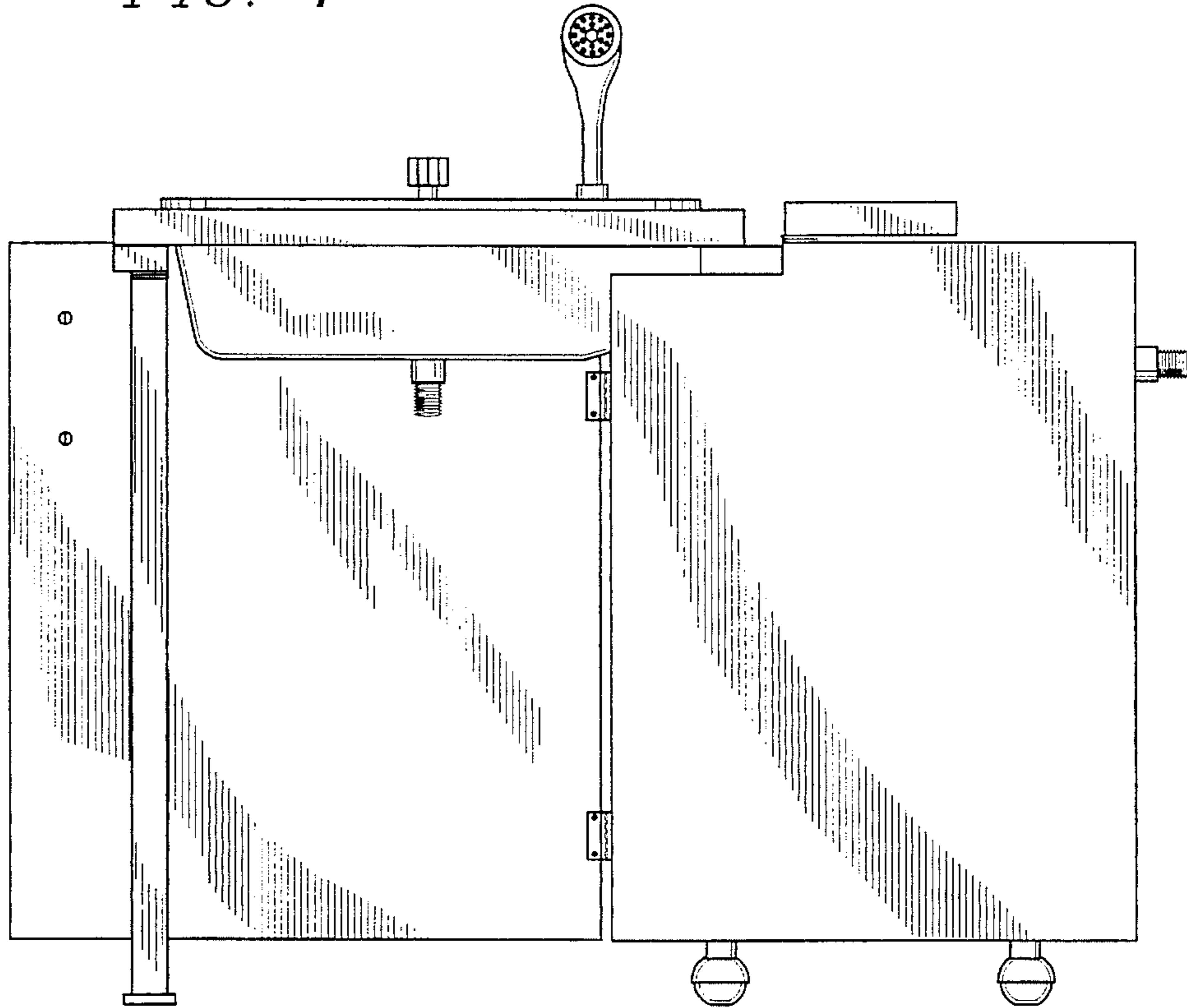
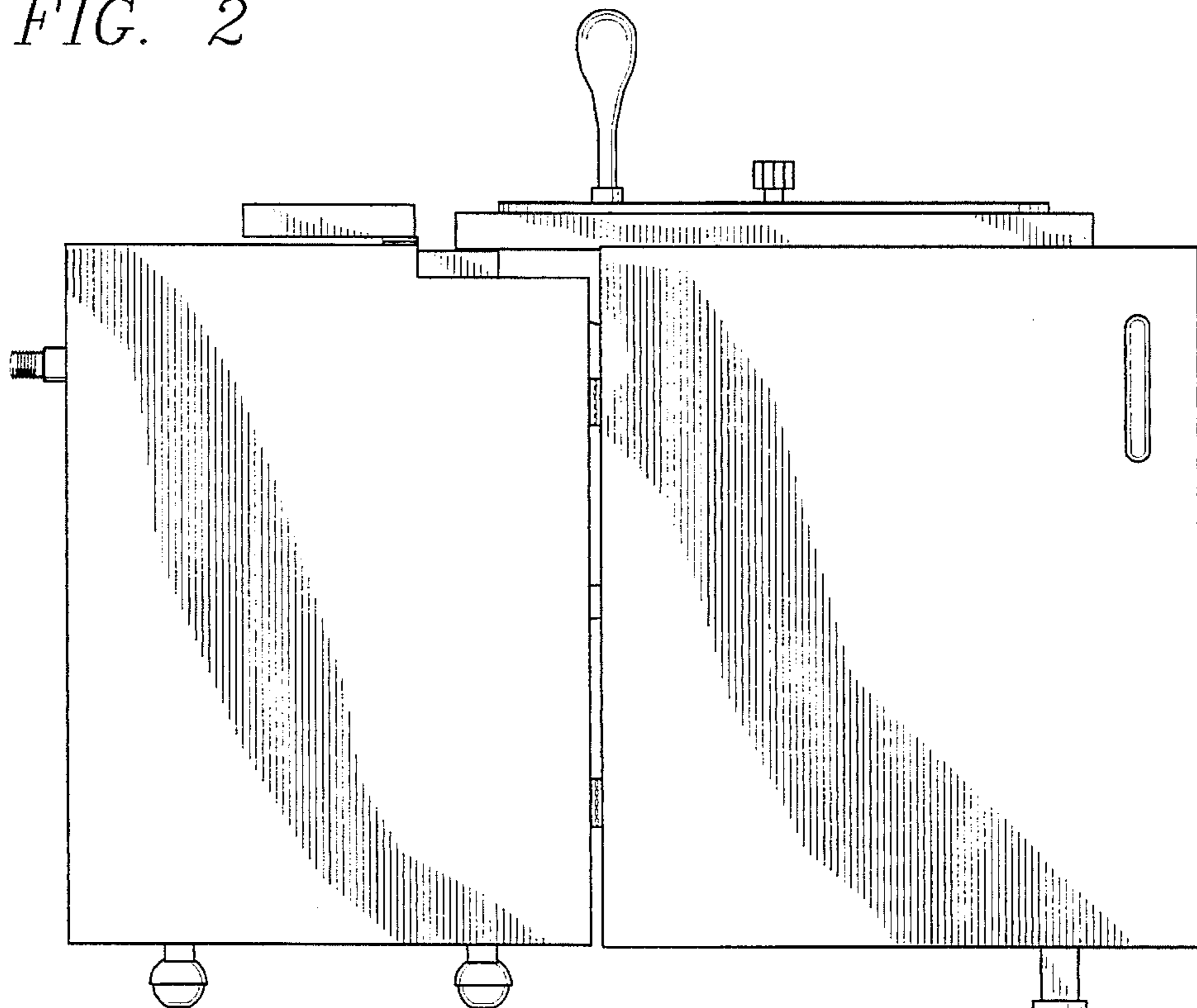


FIG. 2



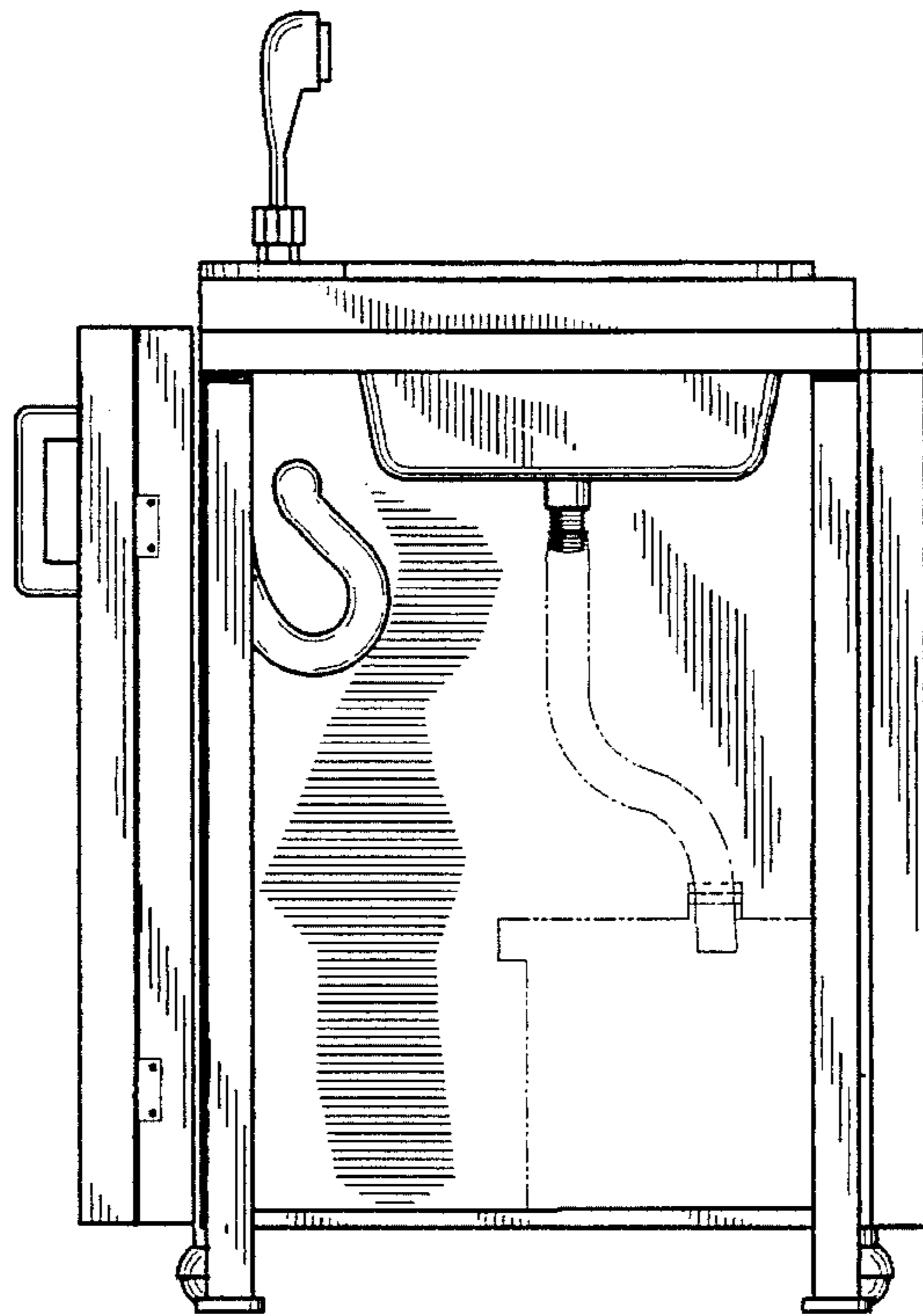


FIG. 3

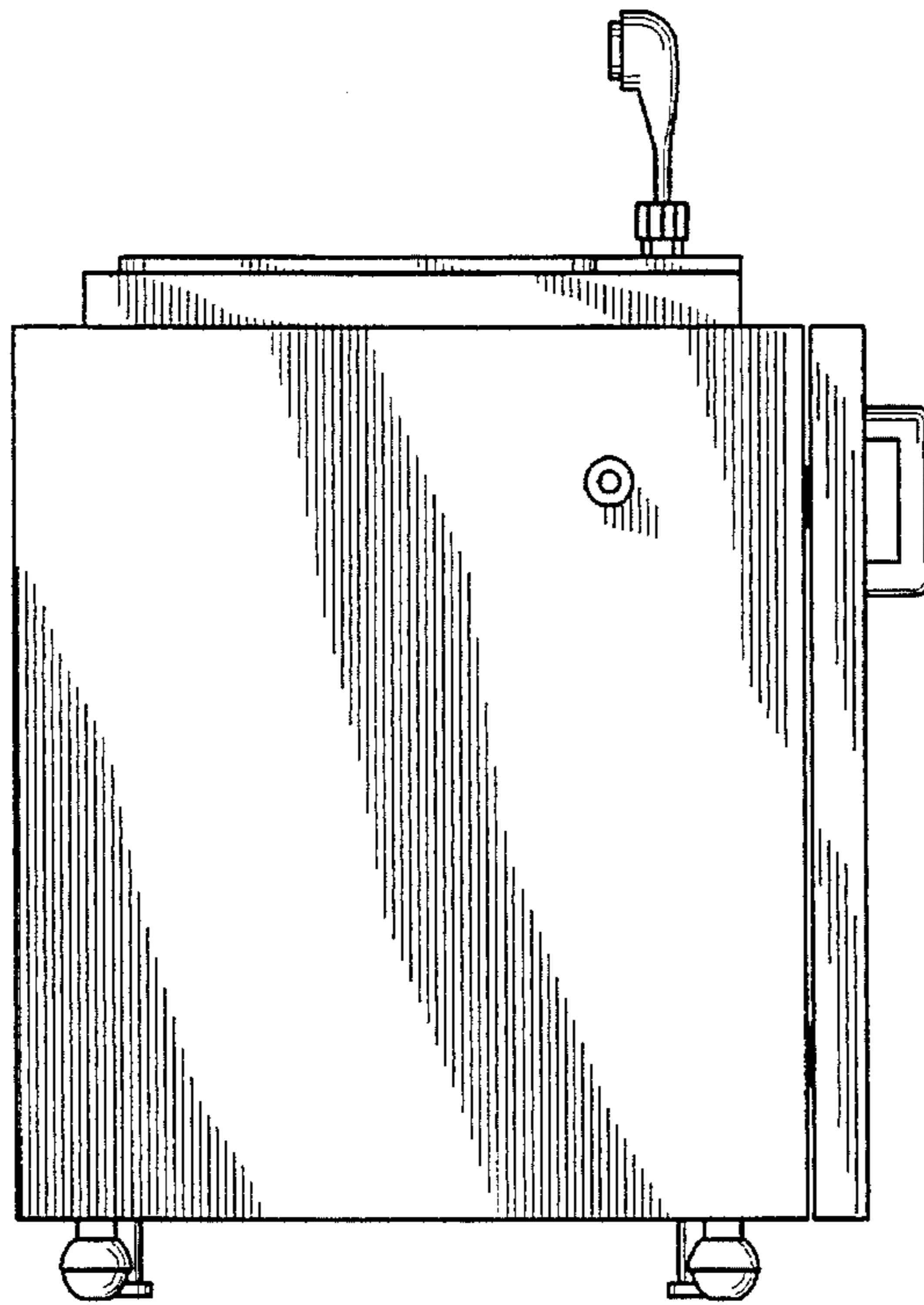


FIG. 4

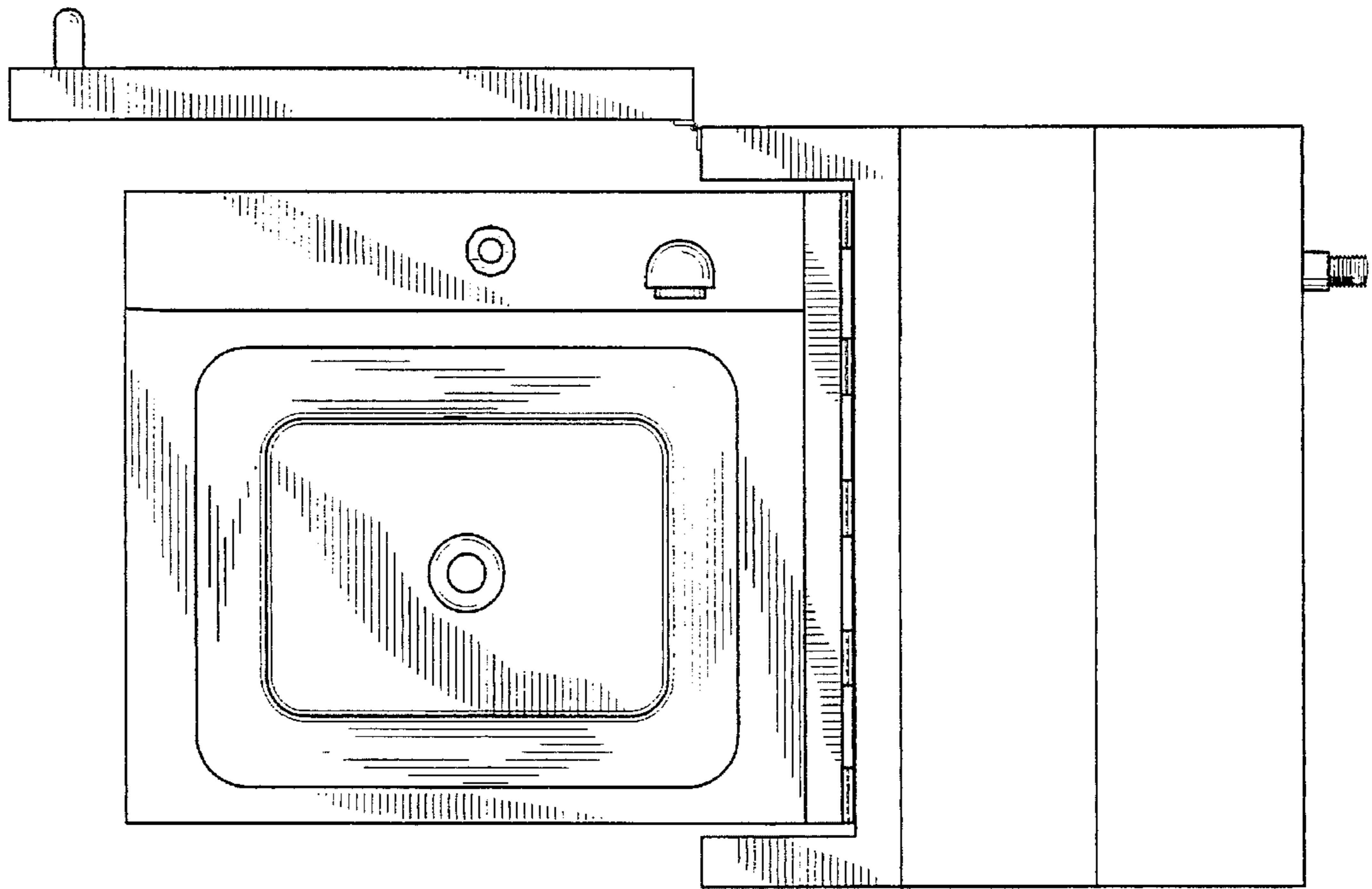


FIG. 5

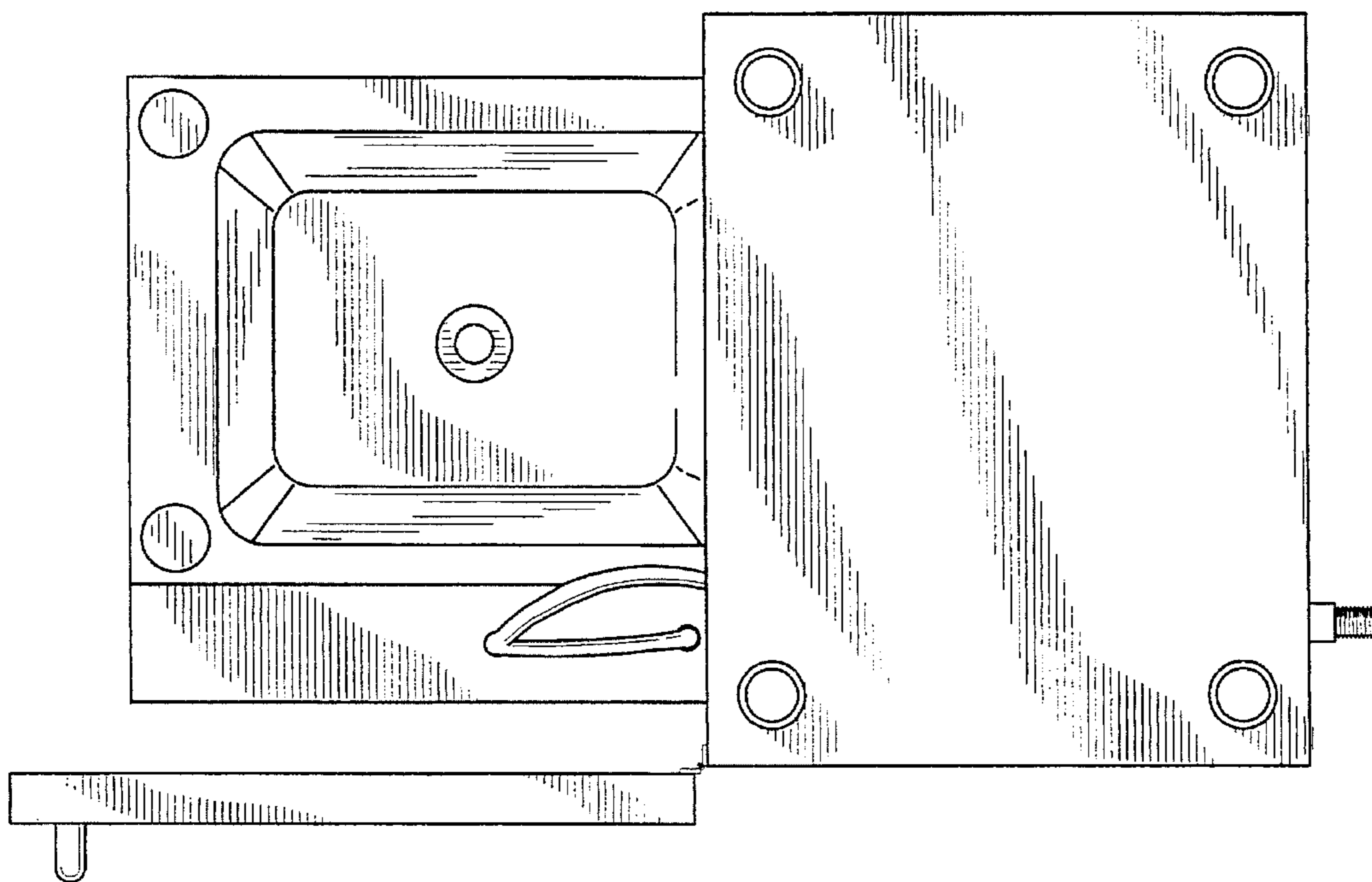


FIG. 6

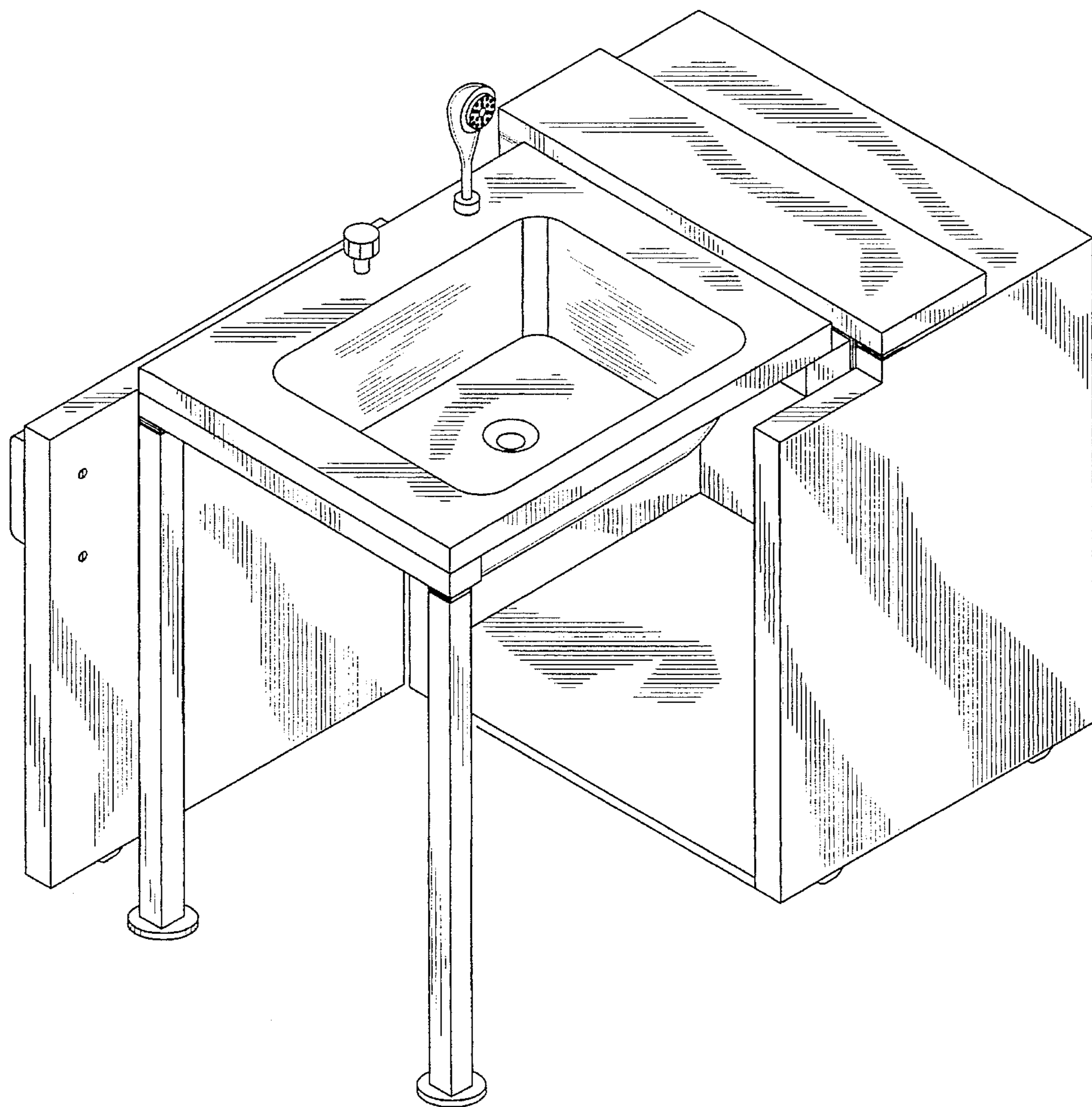


FIG. 7