



US00D367104S

# United States Patent [19]

[11] Patent Number: **Des. 367,104**

Allen et al.

[45] Date of Patent: **\*\*Feb. 13, 1996**

[54] FLUSH VALVE

2,012,255 8/1935 Binnoll ..... 251/45 X  
5,213,305 5/1993 Whiteside et al. .... 251/45 X

[75] Inventors: **Charles S. Allen**, Kenilworth; **Jerry P. Gronwick**, Park Ridge, both of Ill.

*Primary Examiner*—Stella Reid  
*Assistant Examiner*—Eric Watterson  
*Attorney, Agent, or Firm*—Dorn, McEachran, Jambor & Keating

[73] Assignee: **Sloan Valve Company**, Franklin Park, Ill.

[\*\*] Term: **14 Years**

[21] Appl. No.: **30,218**

### [57] CLAIM

[22] Filed: **Oct. 24, 1994**

The ornamental design for a flush valve, as shown and described.

### Related U.S. Application Data

### DESCRIPTION

[63] Continuation-in-part of Ser. No. 16,734, Dec. 23, 1993, abandoned.

[52] U.S. Cl. .... **D23/245**

[58] Field of Search ..... D23/233-237;  
251/15, 30.05, 30.04, 30.01, 45, 129.04,  
38, 40, 236, 237, 238, 243; 137/549; 4/304,  
305, DIG. 3

FIG. 1 is a top view of a flush valve showing our new flush valve design;

FIG. 2 is a side view of our flush valve design;

FIG. 3 is a front view of our new flush valve design;

FIG. 4 is a rear view of our new flush valve design; and,

FIG. 5 is a bottom view of our new flush valve design.

### [56] References Cited

#### U.S. PATENT DOCUMENTS

D. 218,035 7/1970 Sloan et al. .... D23/245

**1 Claim, 2 Drawing Sheets**

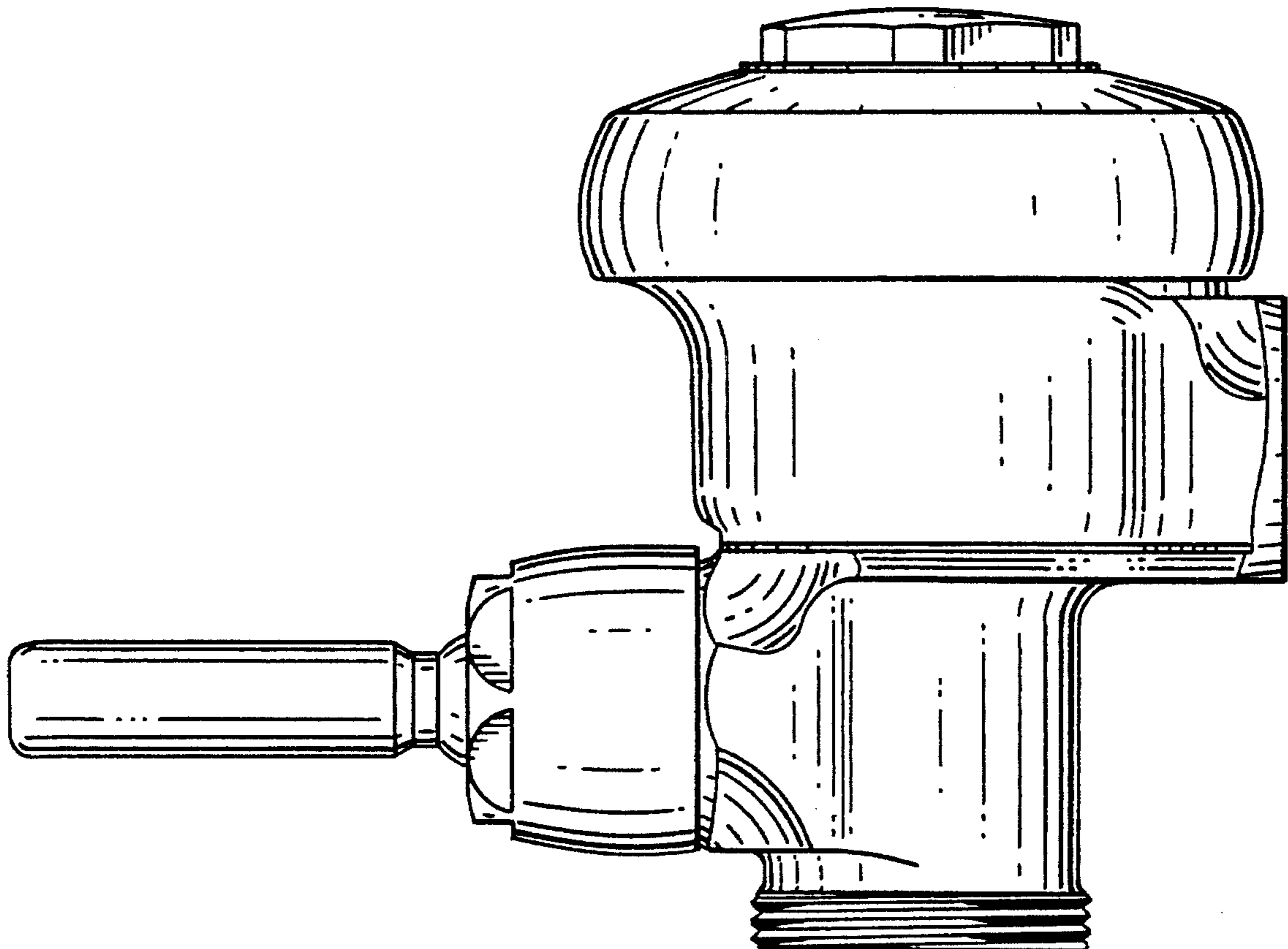


FIG. 1.

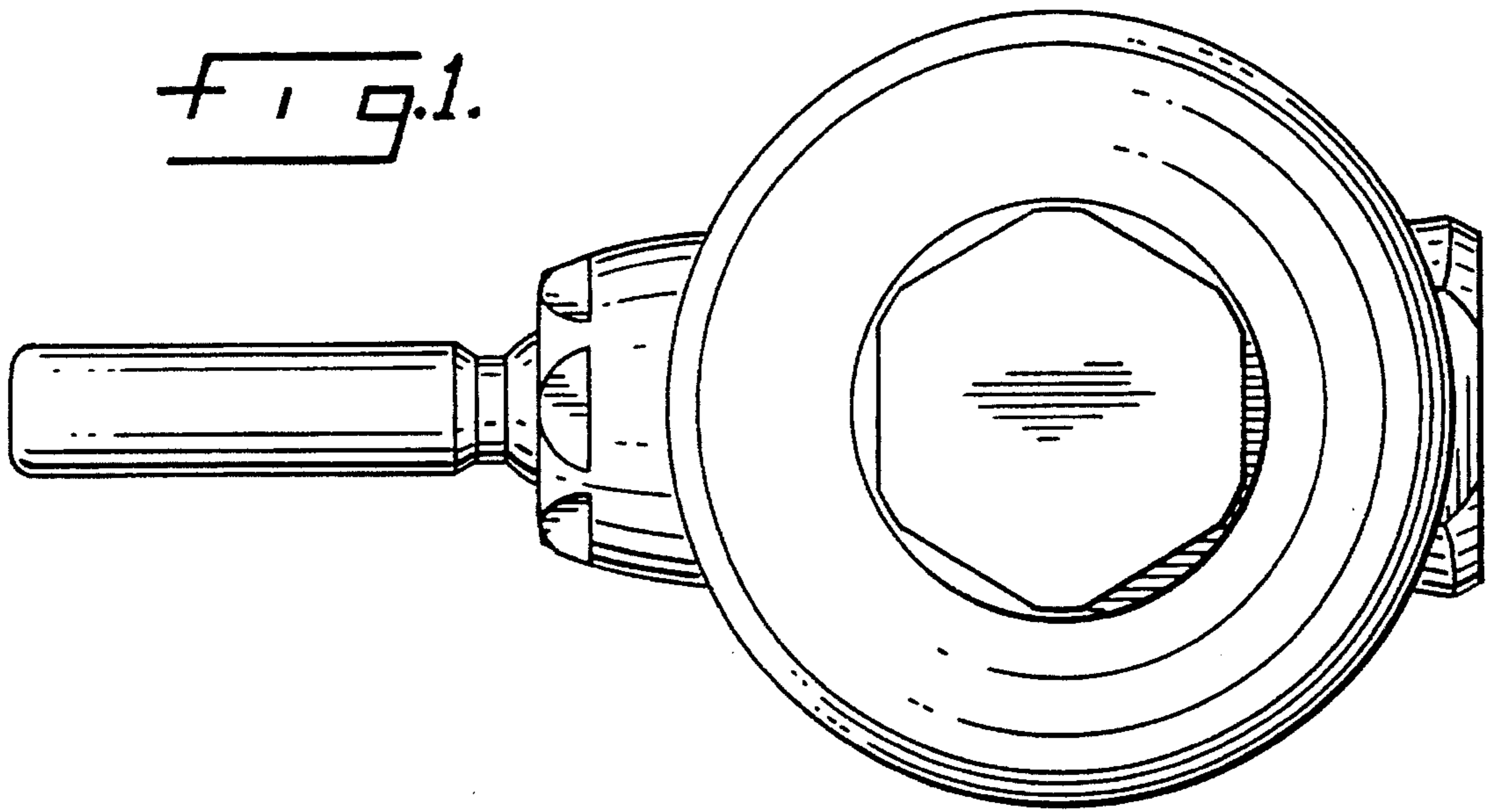
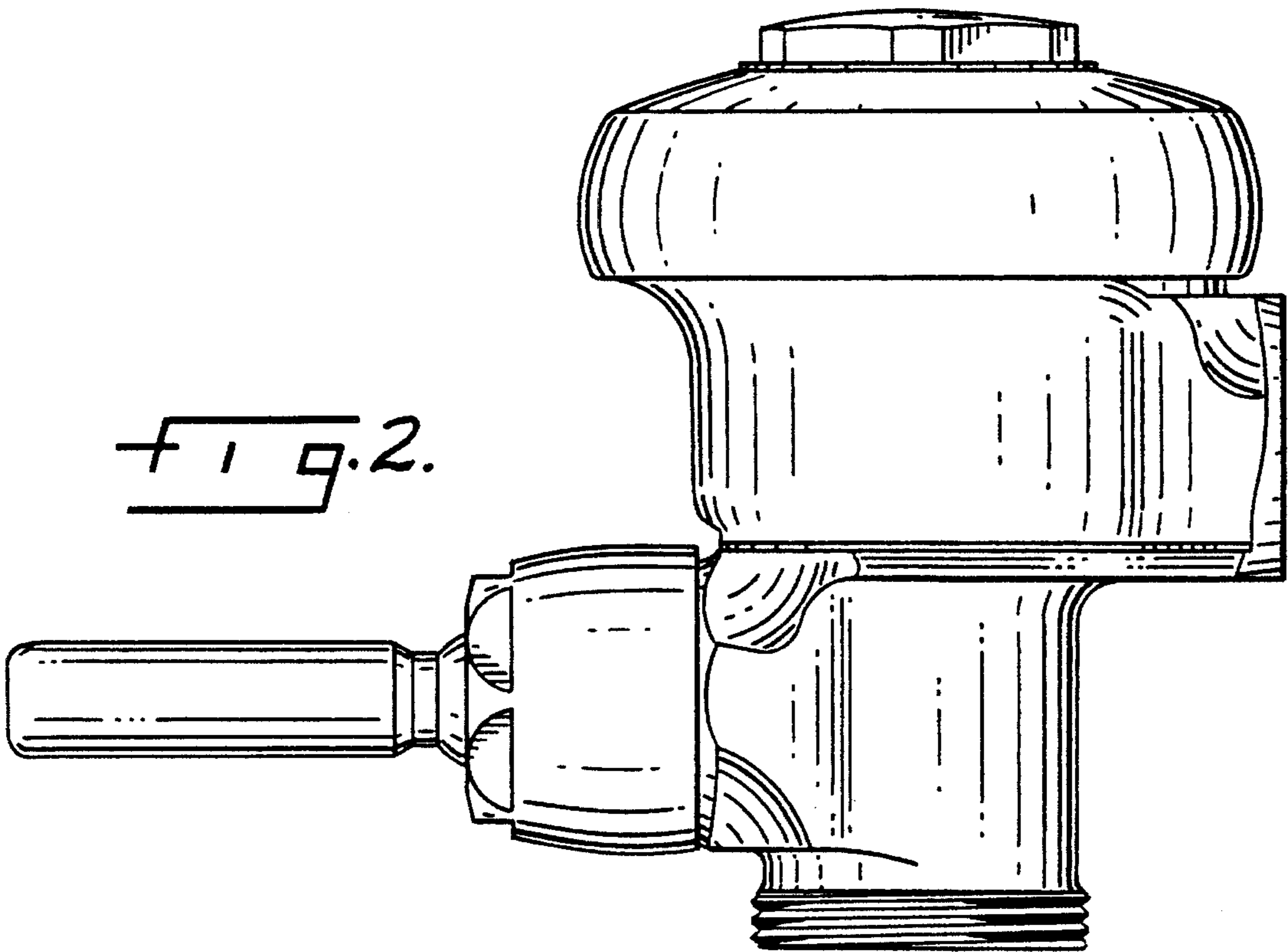


FIG. 2.



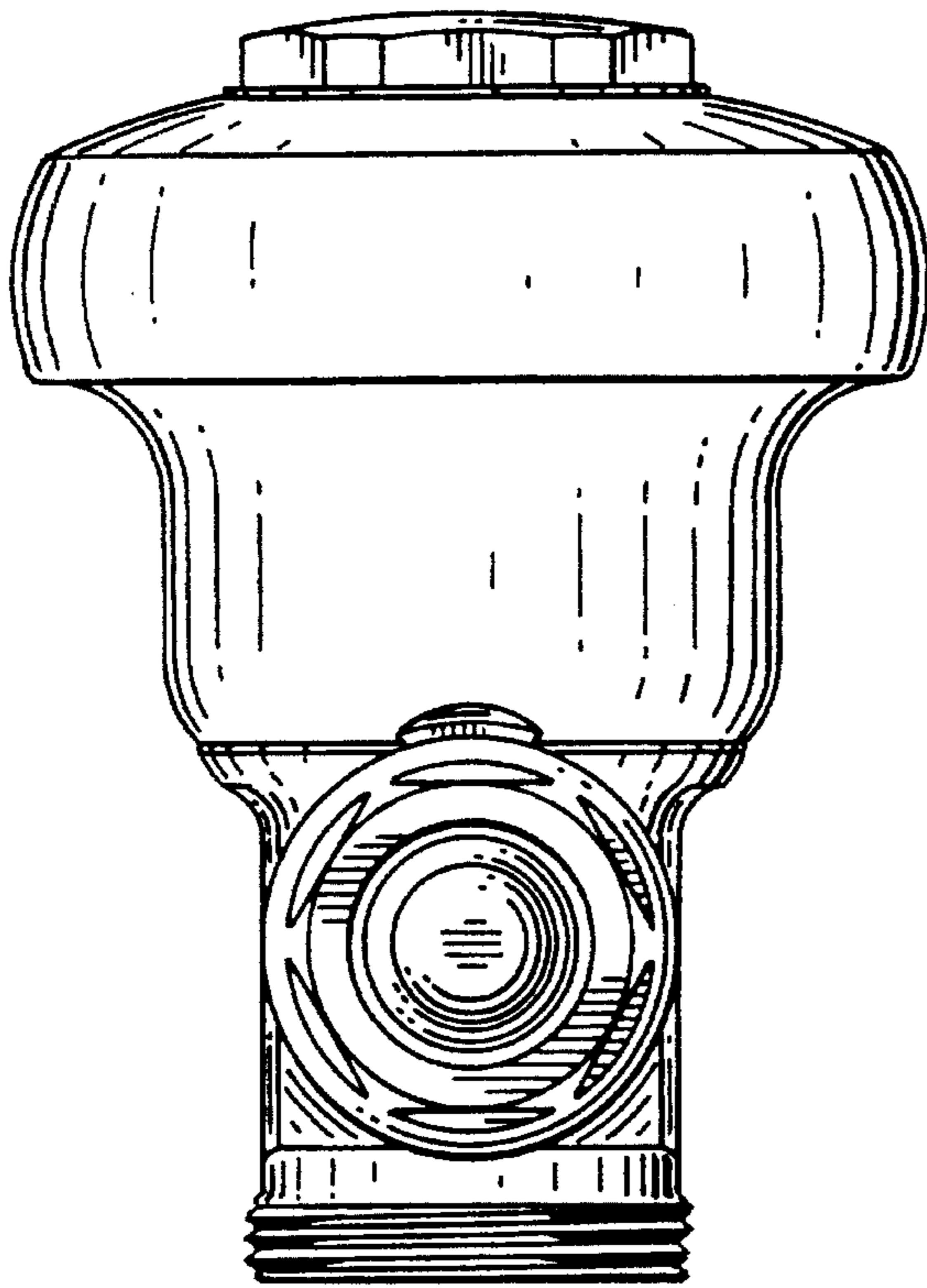


Fig. 3.

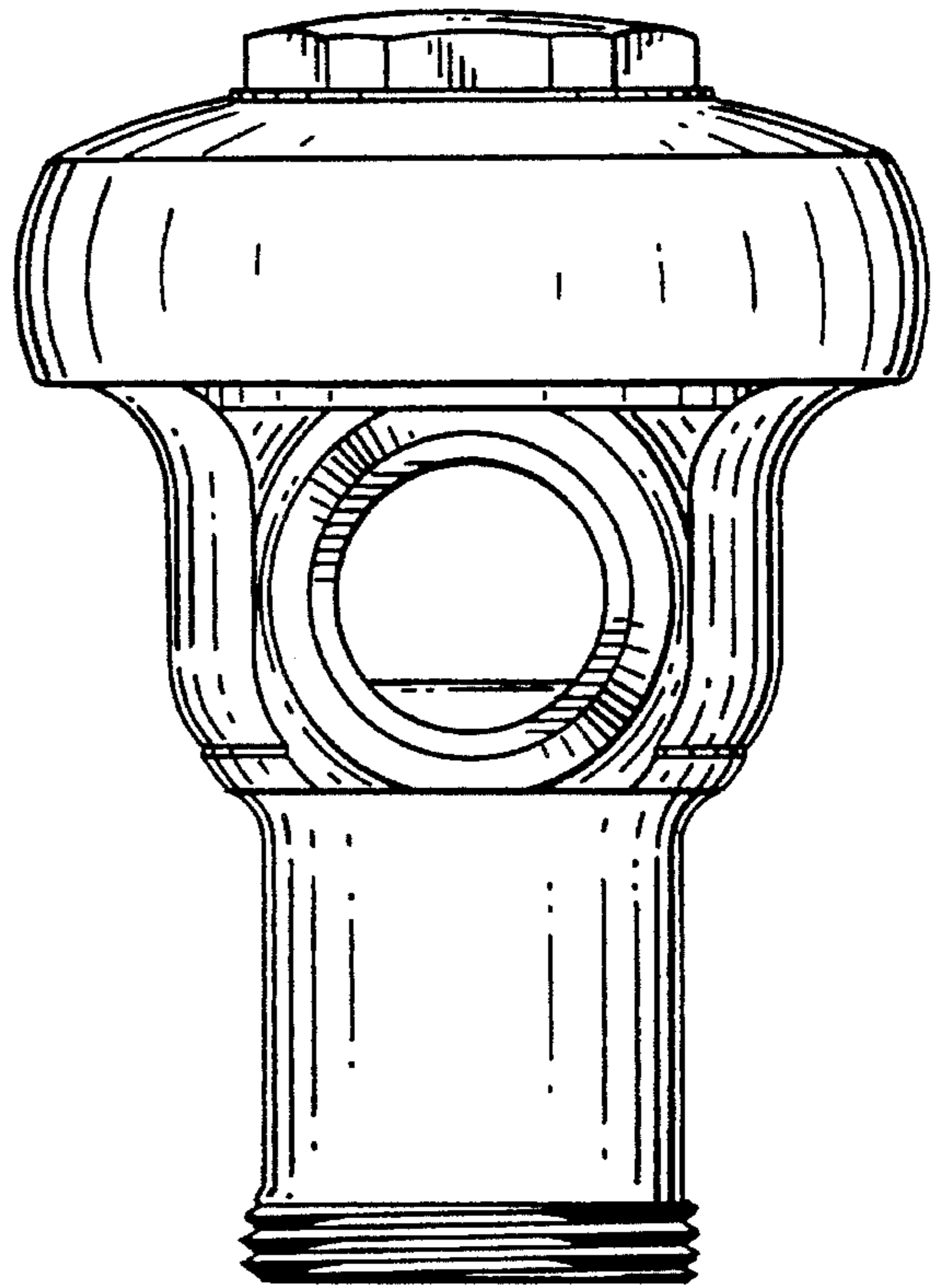


Fig. 4.

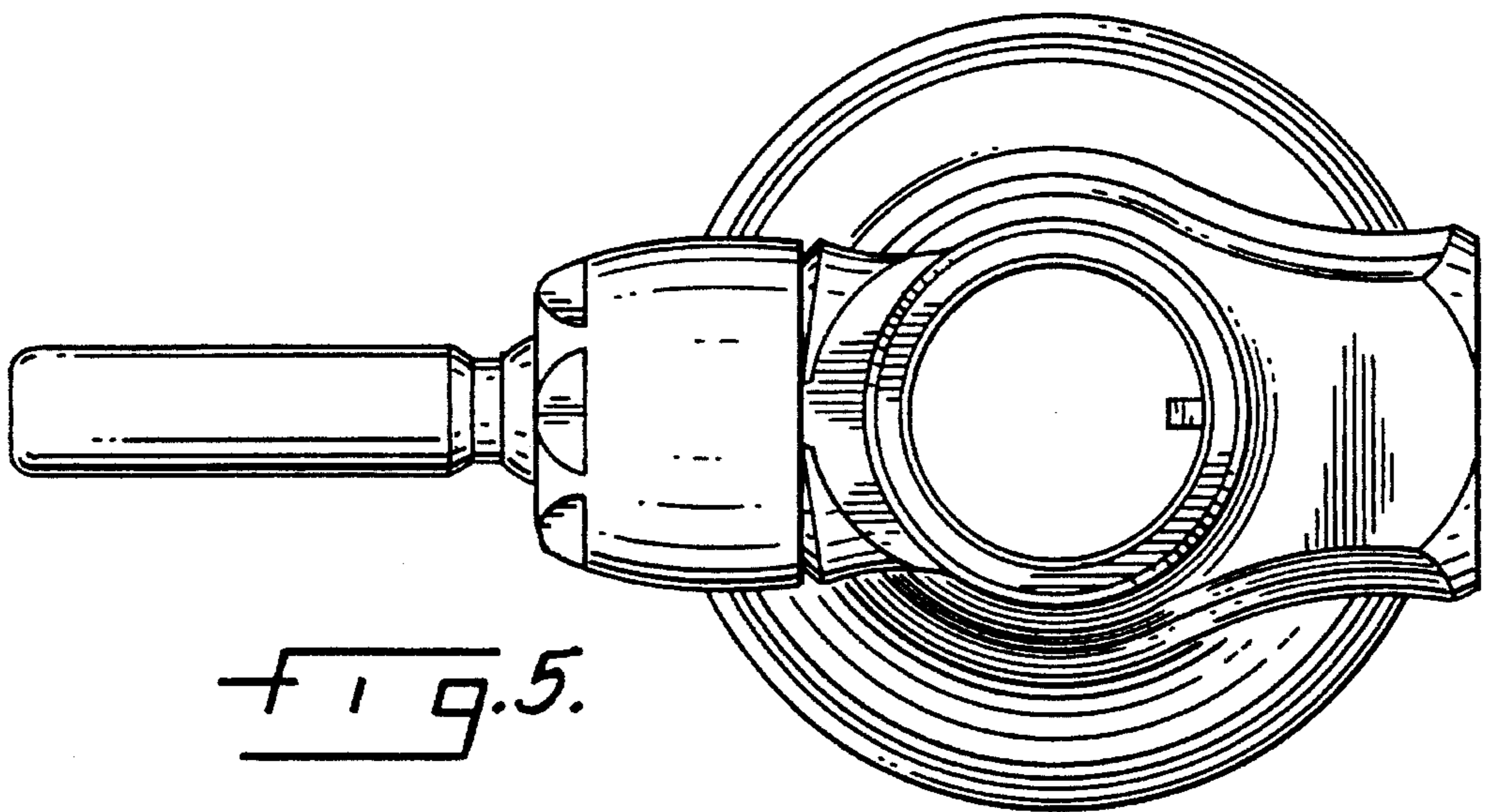


Fig. 5.