



US00D367103S

United States Patent [19]

Lobermeier

[11] Patent Number: **Des. 367,103**

[45] Date of Patent: ****Feb. 13, 1996**

[54] **FLUSHING VALVE FOR SANITARY
FIXTURE**

| | | | |
|-----------|---------|--------------|------------|
| 5,062,453 | 11/1991 | Saddi et al. | 137/624.11 |
| 5,244,179 | 9/1993 | Wilson | 251/30.03 |
| 5,388,610 | 2/1995 | Choang | 137/549 |

[75] Inventor: **Hans Lobermeier**, Menden, Germany

[73] Assignee: **Friedrich Grohe Aktiengesellschaft**,
Hemer, Germany

[**] Term: **14 Years**

[21] Appl. No.: **39,091**

[22] Filed: **Mar. 22, 1995**

[30] **Foreign Application Priority Data**

Oct. 31, 1994 [DE] Germany M9408476.9

[52] U.S. Cl. **D23/235**

[58] Field of Search D23/233-237,
D23/244-249; 251/30.03, 30.04, 249, 45,
129.04; 137/549, 624.11; 4/304, 305, DIG. 3

[56] **References Cited**

U.S. PATENT DOCUMENTS

D. 351,219 10/1994 Saadi et al. D23/249

Primary Examiner—Stella Reid
Assistant Examiner—Eric Watterson
Attorney, Agent, or Firm—Herbert Dubno

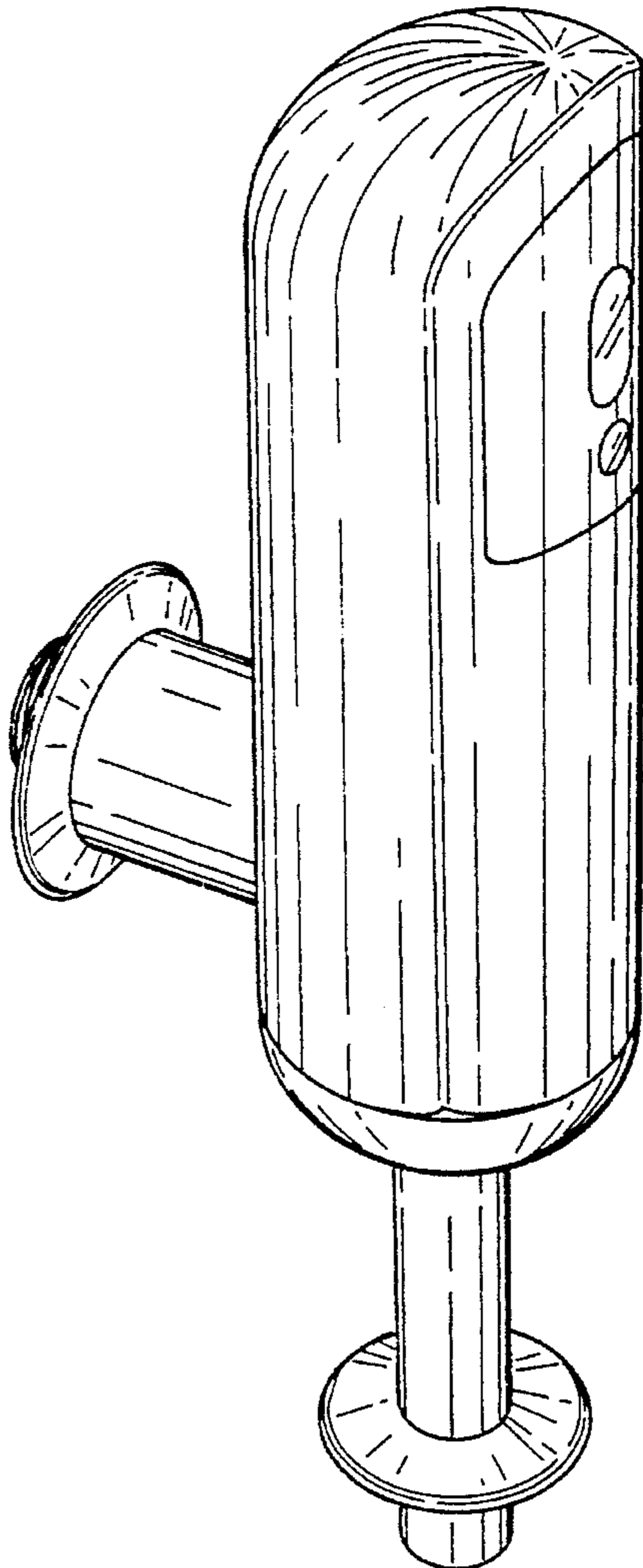
[57] **CLAIM**

The ornamental design for a flushing valve for sanitary fixture, as shown.

DESCRIPTION

FIG. 1 is a top, front, left-side perspective view of a flushing valve for sanitary fixture showing my new design;
FIG. 2 is a front view thereof;
FIG. 3 is a right side elevational view thereof;
FIG. 4 is a rear view thereof;
FIG. 5 is a left side elevational view thereof;
FIG. 6 is a top view thereof; and,
FIG. 7 is a bottom view thereof.

1 Claim, 4 Drawing Sheets



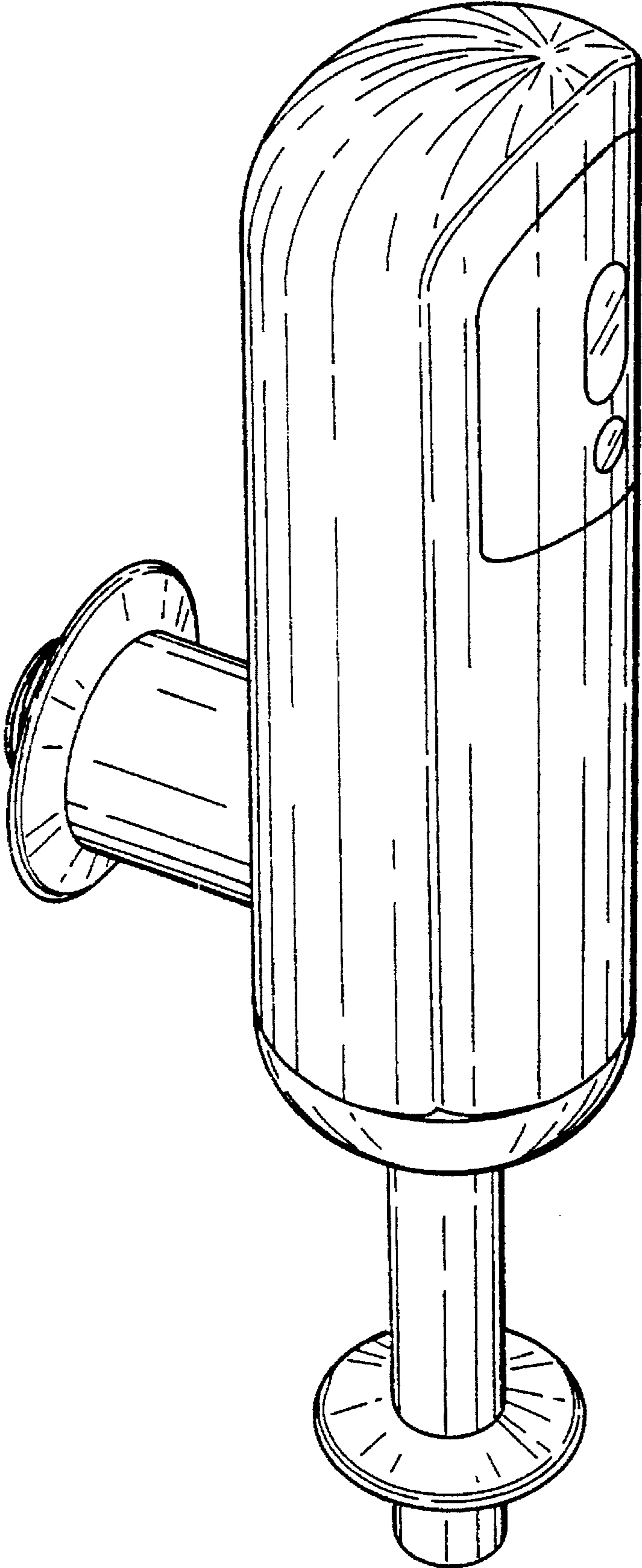


FIG. 1

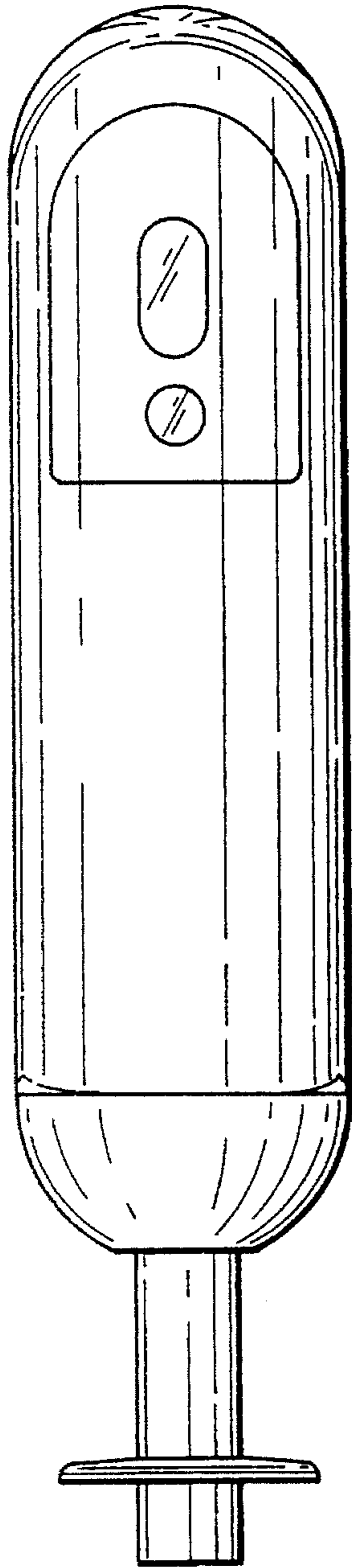


FIG. 2

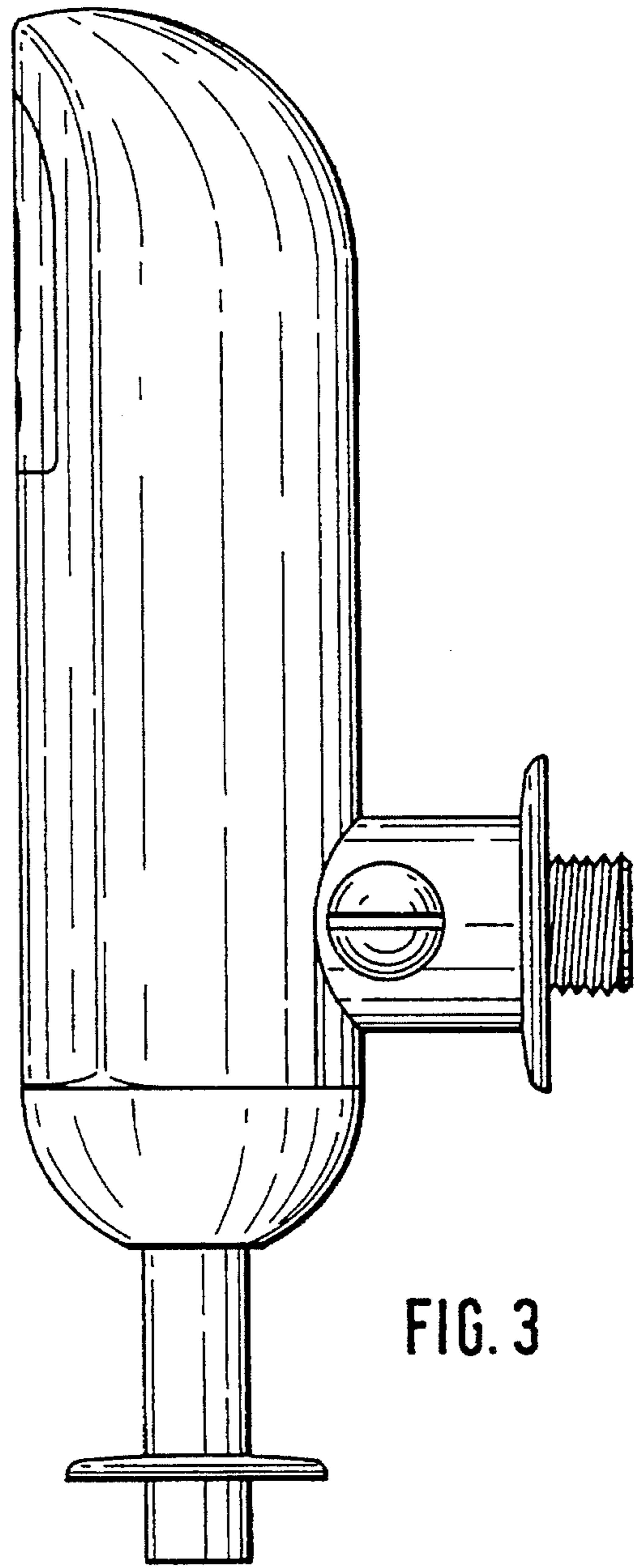


FIG. 3

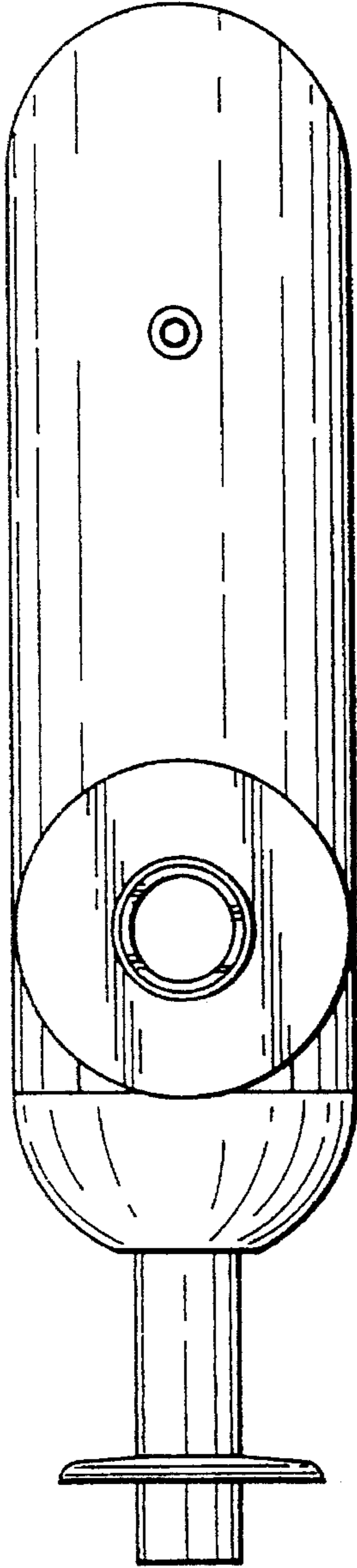


FIG. 4

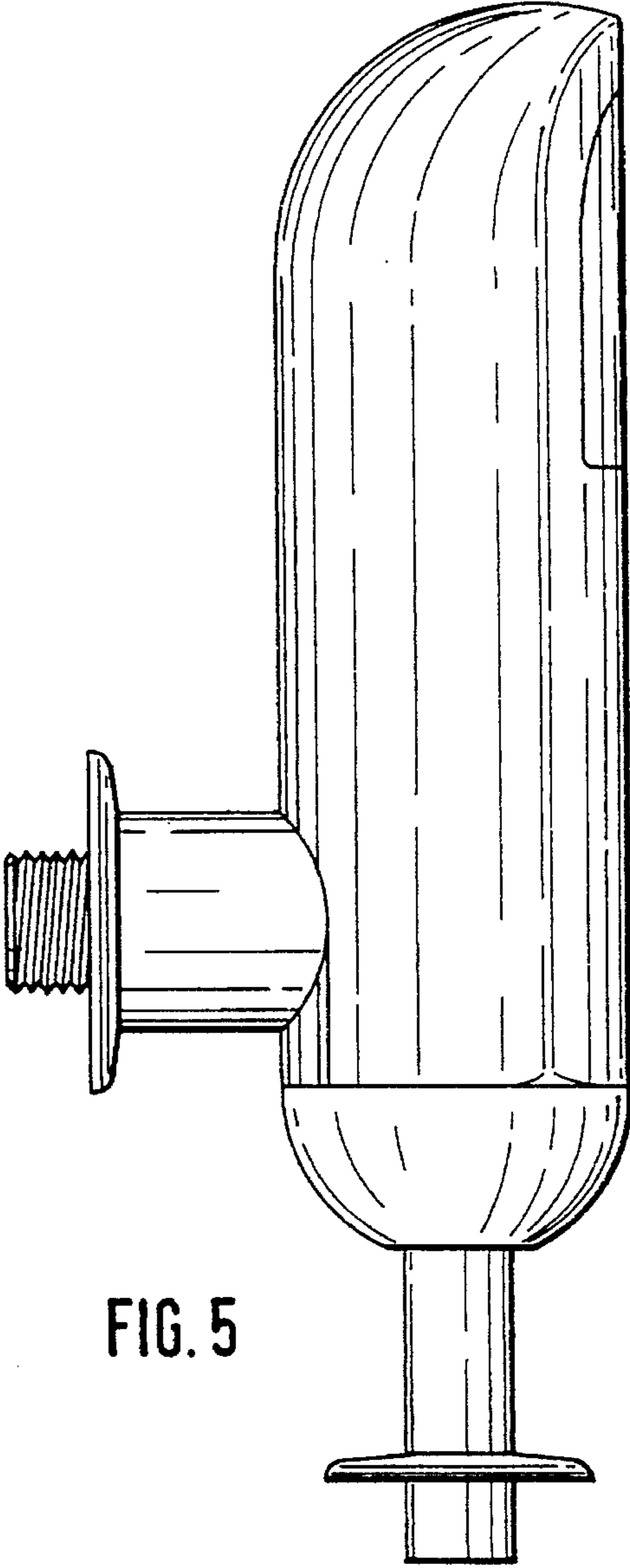


FIG. 5

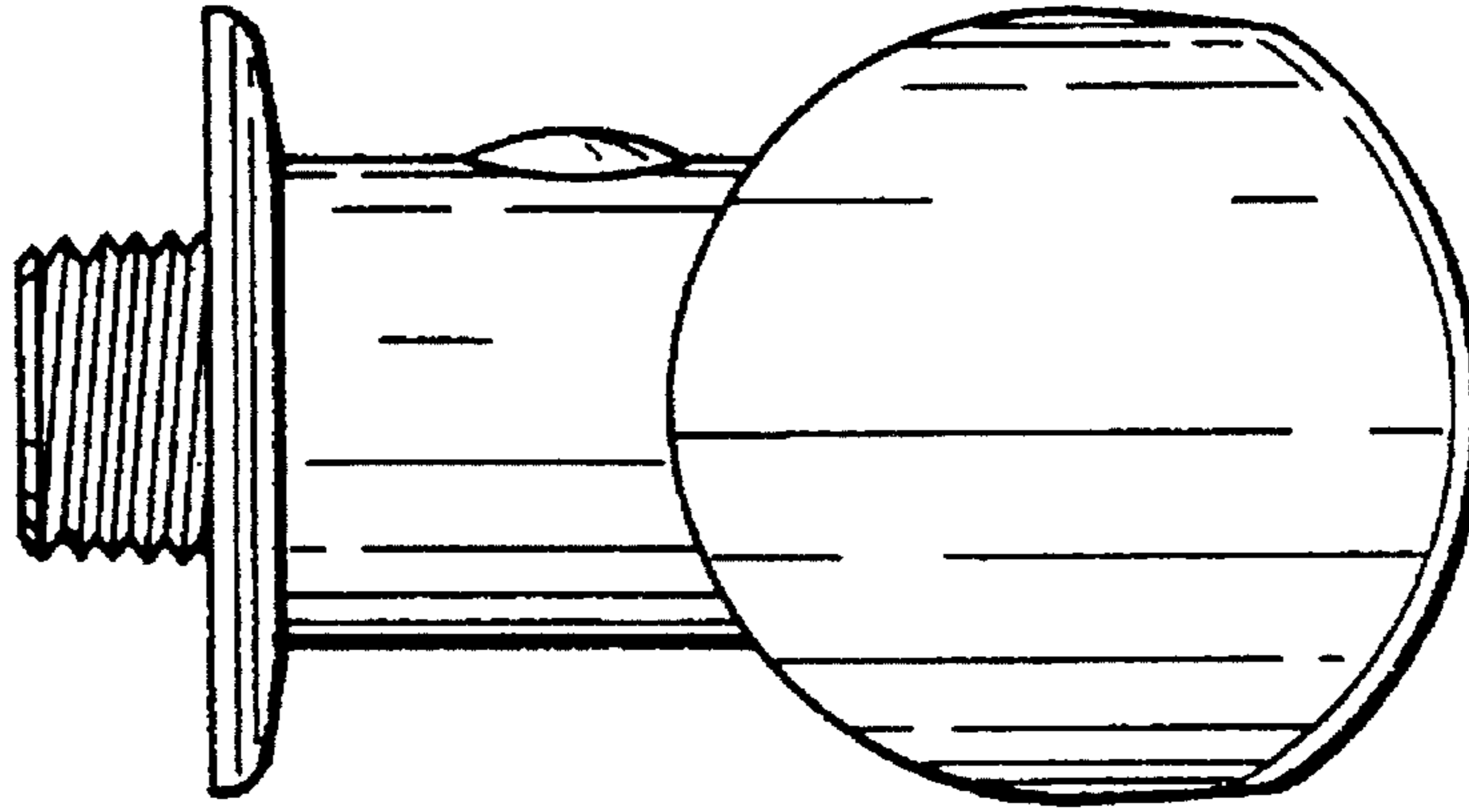


FIG. 6

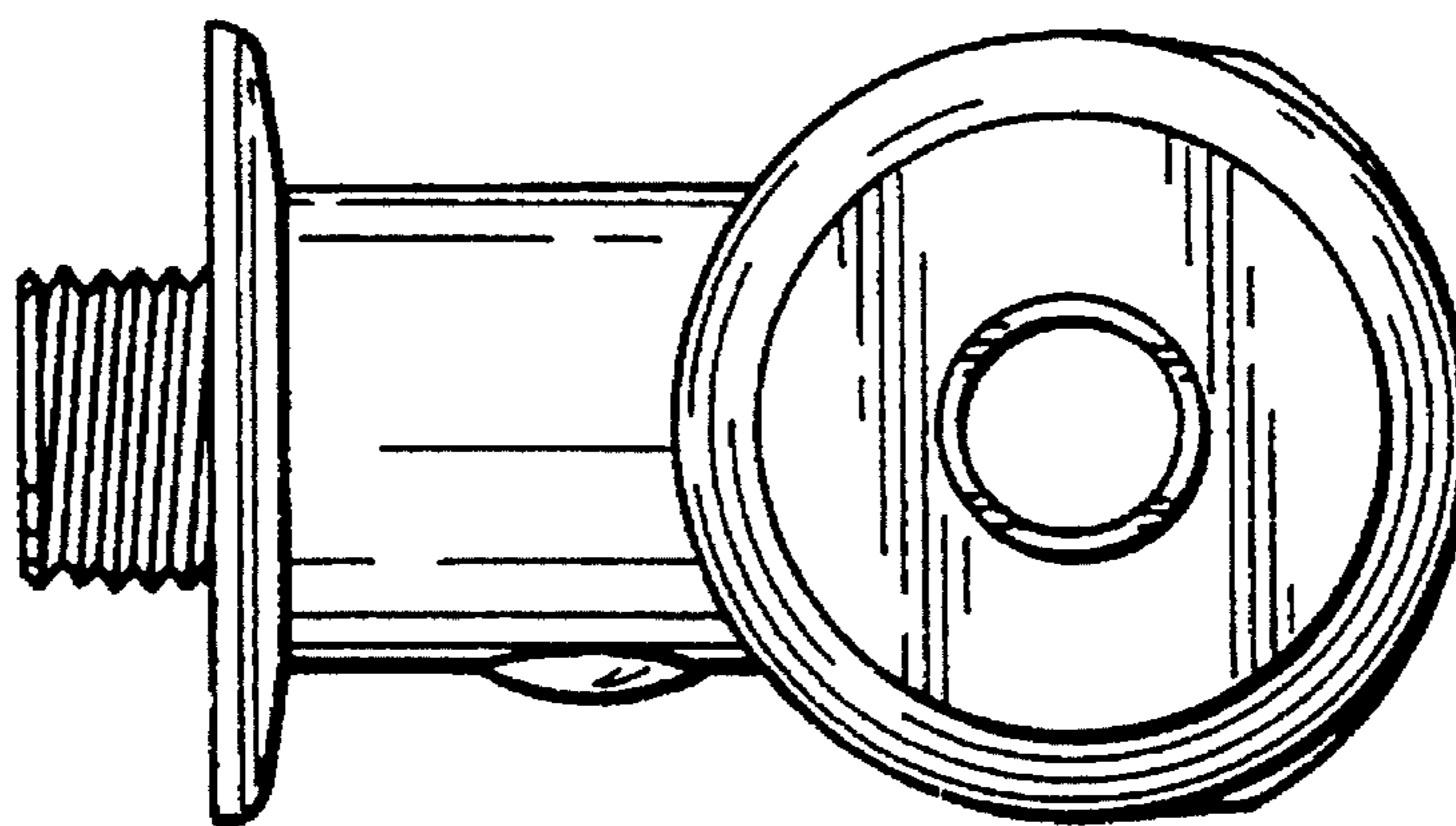


FIG. 7